



US00D656442S

(12) **United States Design Patent**
Hanks et al.

(10) **Patent No.:** **US D656,442 S**
(45) **Date of Patent:** **** Mar. 27, 2012**

(54) **RETRACTING PLATFORM**

(76) Inventors: **Gilbert A. Hanks**, Jacksonville, FL (US); **Christopher Hanks**, Jacksonville, FL (US)

(**) Term: **14 Years**

(21) Appl. No.: **29/329,450**

(22) Filed: **Dec. 15, 2008**

(51) **LOC (9) Cl.** **12-16**

(52) **U.S. Cl.** **D12/194**

(58) **Field of Classification Search** D12/94, D12/101; D34/32-35; 182/3, 113; 187/222, 187/233, 237; 414/592, 607, 623
See application file for complete search history.

(56) **References Cited**

U.S. PATENT DOCUMENTS

3,891,261	A	6/1975	Finneman	
D239,707	S *	4/1976	Grimaldo	D34/34
4,214,849	A	7/1980	Downing	
D258,815	S *	4/1981	Cottrell et al.	D12/94
4,551,056	A	11/1985	Risner	
4,613,155	A	9/1986	Greenwood	
D316,384	S *	4/1991	Teagarden	D12/94
D356,058	S *	3/1995	Newton	D12/106
5,676,460	A	10/1997	Biberstine et al.	
D410,314	S *	5/1999	Brown	D34/32
D417,172	S *	11/1999	Smith et al.	D12/101
D418,451	S *	1/2000	Konecheck	D12/101
6,145,619	A	11/2000	Risser	
6,830,127	B2 *	12/2004	Johnson	182/113
6,848,539	B2 *	2/2005	Lee et al.	182/128
6,880,843	B1	4/2005	Greer, Jr.	
7,063,186	B1	6/2006	Granke	
D535,078	S *	1/2007	Jamison	D34/32
7,216,741	B2 *	5/2007	MacDonald et al.	182/113
7,228,938	B1 *	6/2007	Mitchell	182/82
RE39,842	E *	9/2007	Purvis et al.	256/67
7,318,596	B2	1/2008	Scheuring, III et al.	
7,377,531	B2	5/2008	Fabiano et al.	

* cited by examiner

Primary Examiner — Philip Hyder

Assistant Examiner — Cynthia Underwood

(74) *Attorney, Agent, or Firm* — Yau Law Firm; Jo-Anne Yau

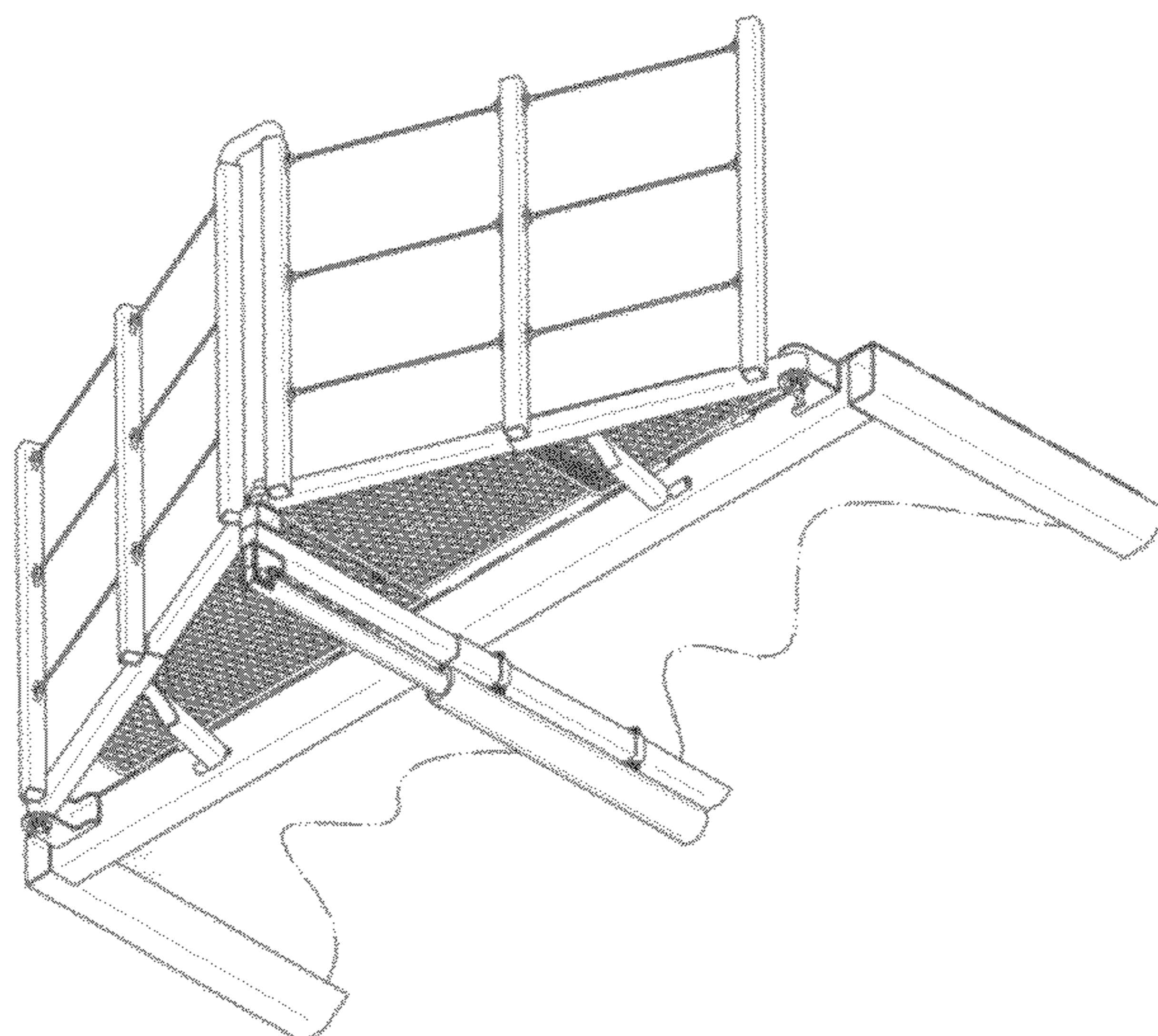
(57) **CLAIM**

The ornamental design for a retracting platform, as shown and described.

DESCRIPTION

FIG. 1 is a bottom perspective view of a retracting platform, shown here in its extended phase;
 FIG. 2 is another bottom perspective view thereof, shown here in its extended phase, with an access panel open;
 FIG. 3 is another bottom perspective view thereof, shown here in a phase of mid-extension;
 FIG. 4 is another bottom perspective view of a retracting platform, shown in here in its retracted phase;
 FIG. 5 is an elevation view thereof from the front;
 FIG. 6 is a top plan view thereof in its extended phase;
 FIG. 7 is a cross sectional view of the right side taken along line 5-5 in FIG. 5;
 FIG. 8 is a cross sectional view of the left side taken along line 5-5 in FIG. 5;
 FIG. 9 is a bottom perspective view of a retracting platform in opposite direction of FIG. 1 in its extended phase;
 FIG. 10 is an enlarged fragmentary perspective view of a main pivoting point on the retracting platform shown in its extended phase taken from the circled area in FIG. 9;
 FIG. 11 is an enlarged top plan view of the retracting platform in its retracted phase; and,
 FIG. 12 is an enlarged bottom plan view of the retracting platform in its retracted phase.
 The portions of the drawing views that are shown fragmentally broken away are shown for ease of illustration or to indicate indeterminate length.

1 Claim, 7 Drawing Sheets



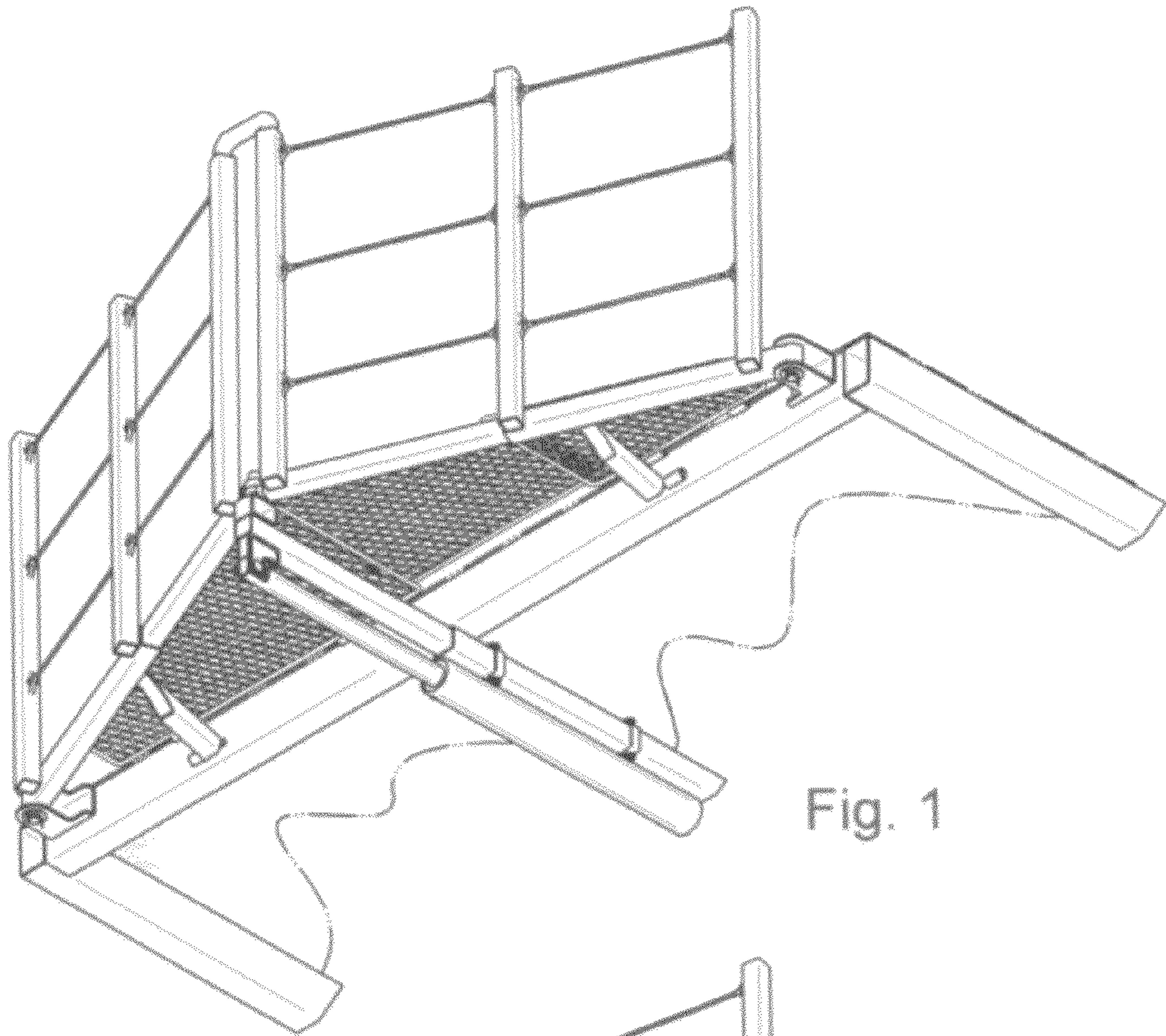


Fig. 1

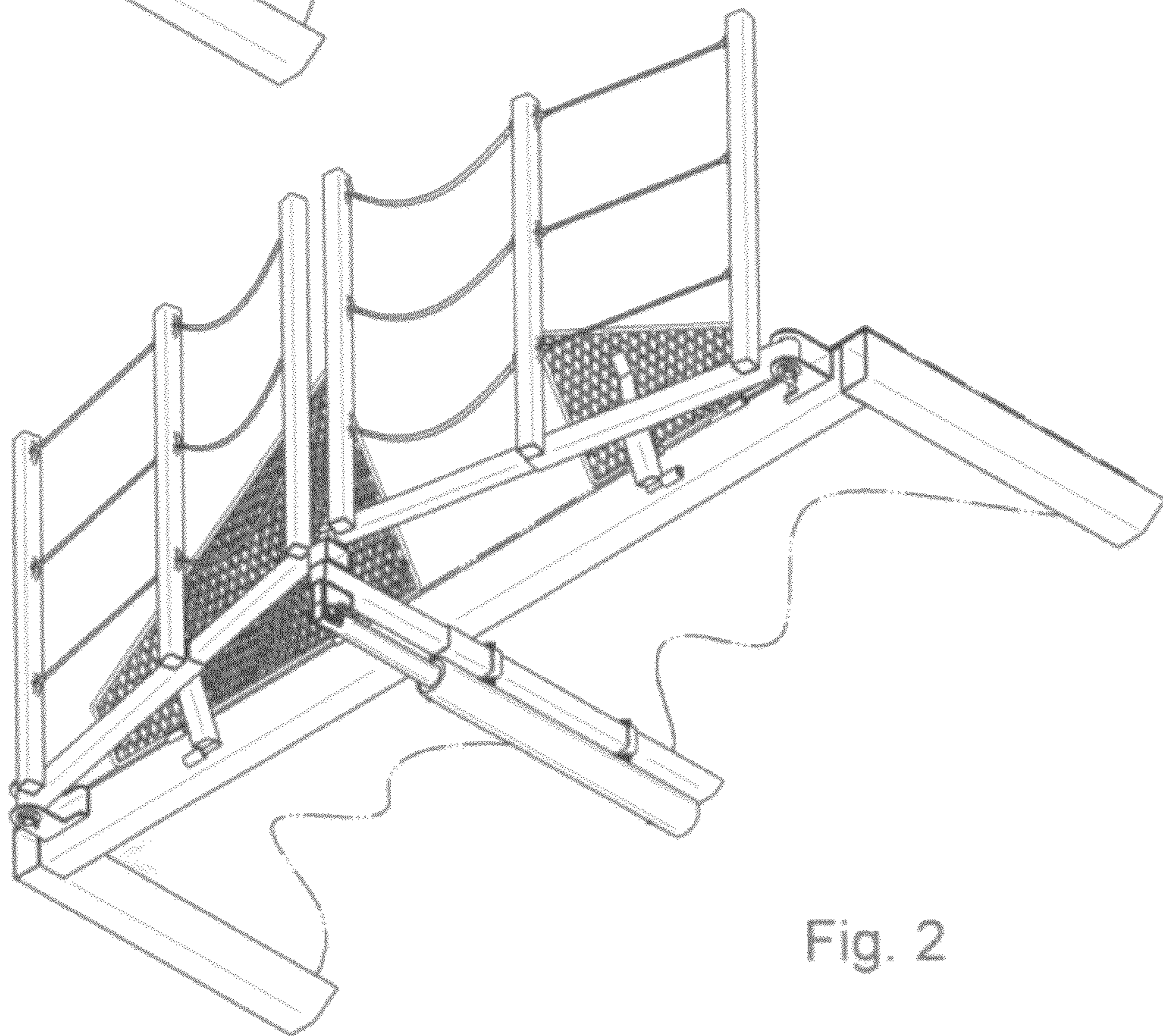


Fig. 2

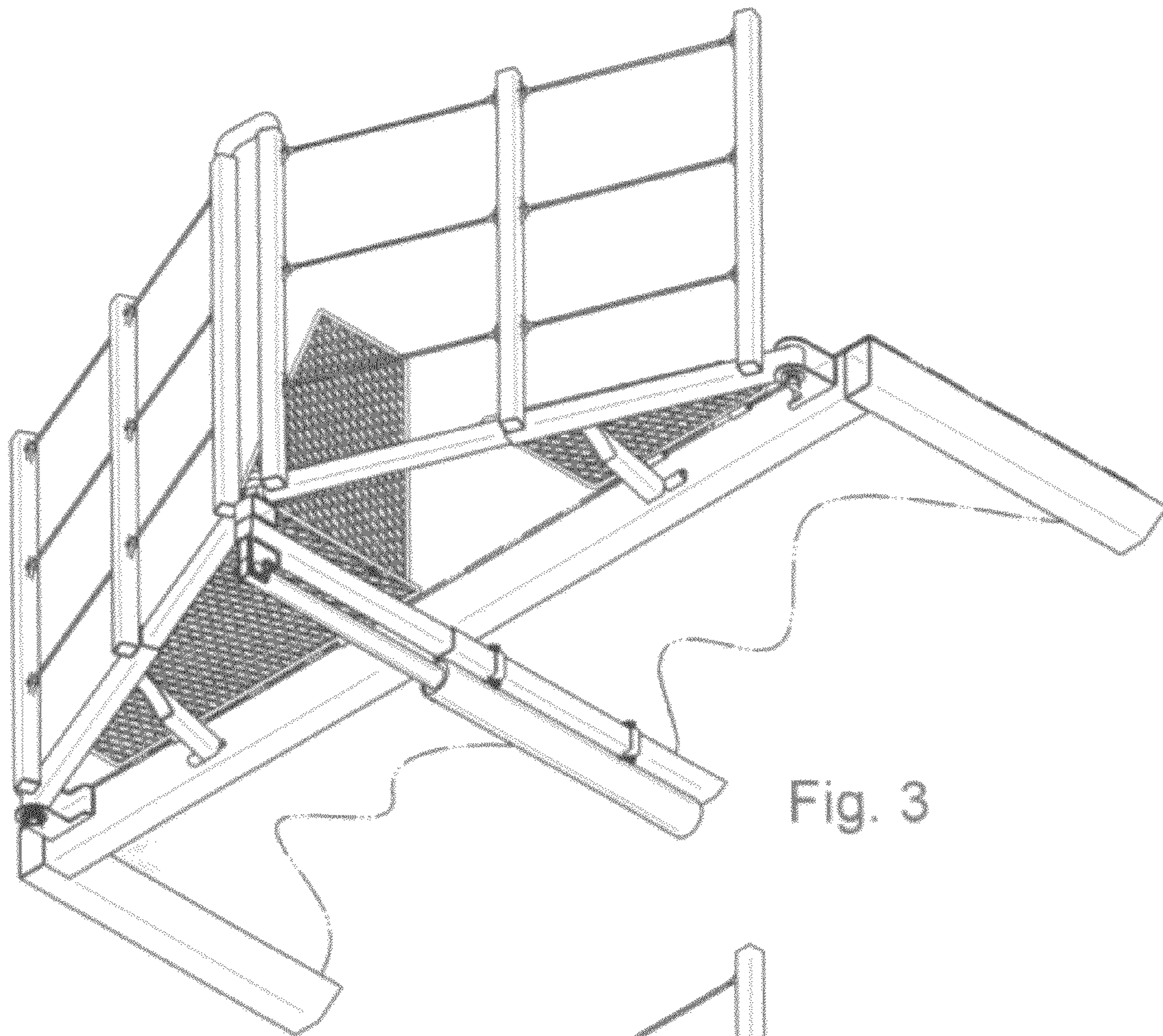


Fig. 3

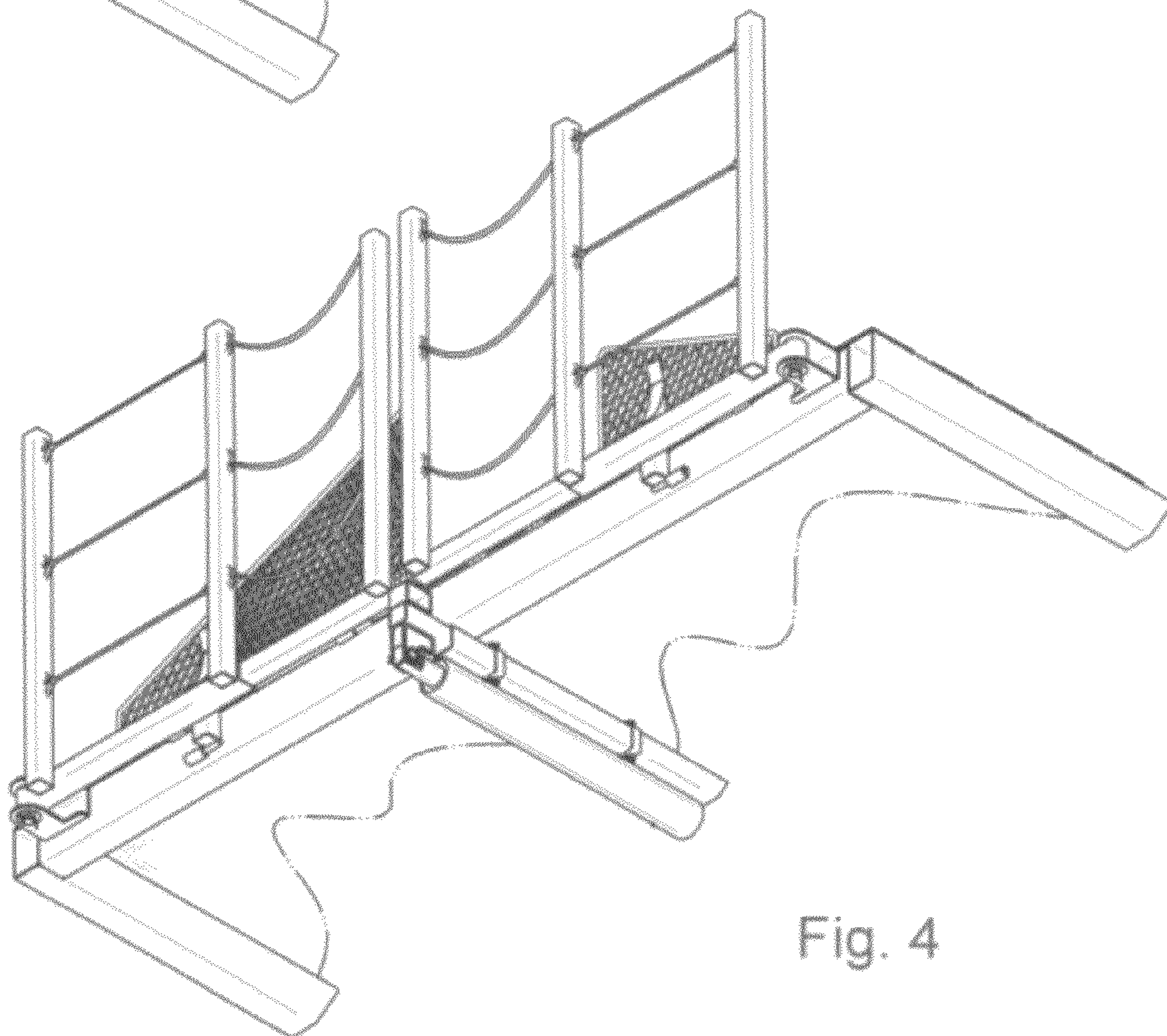


Fig. 4

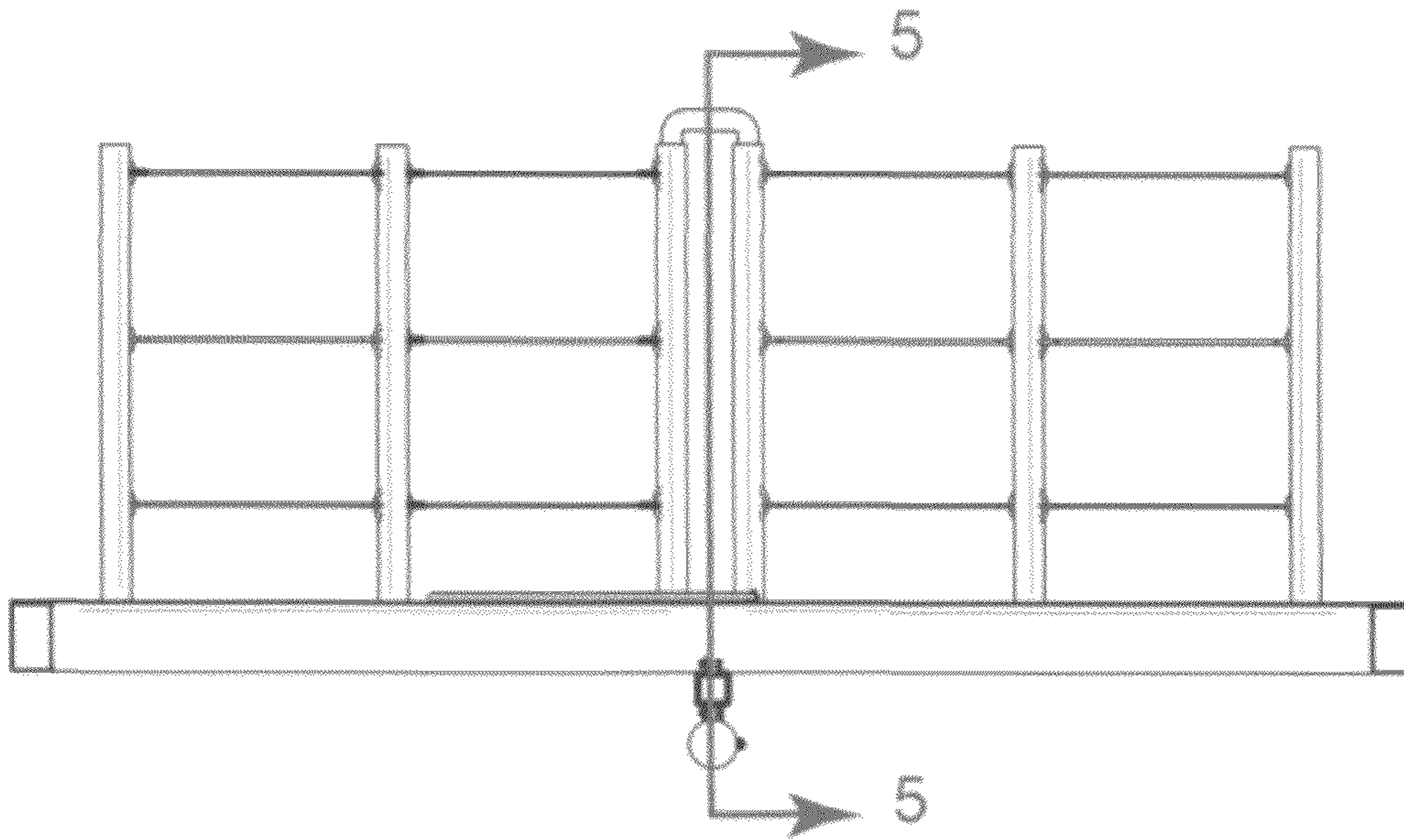


Fig. 5

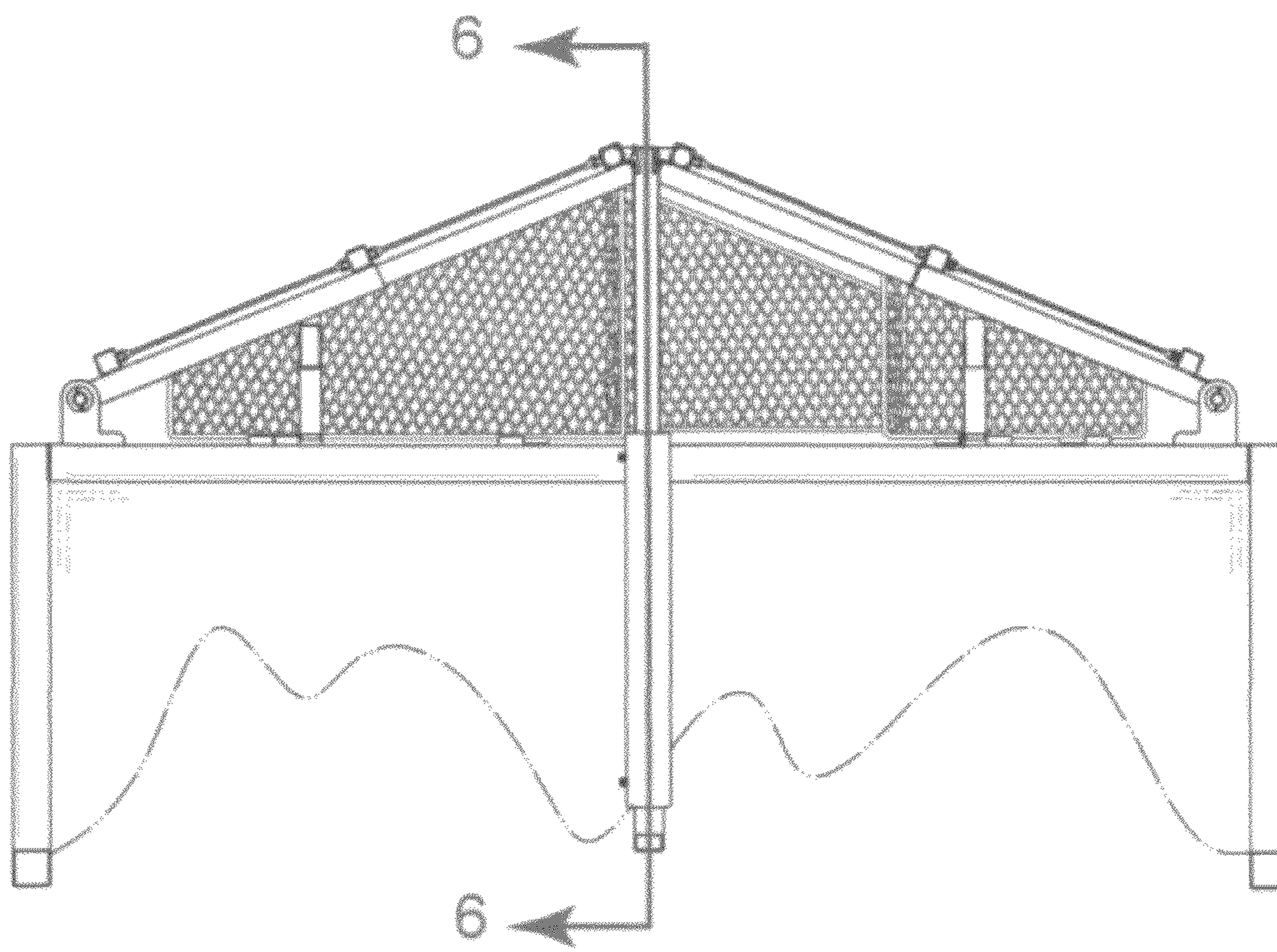


Fig. 6

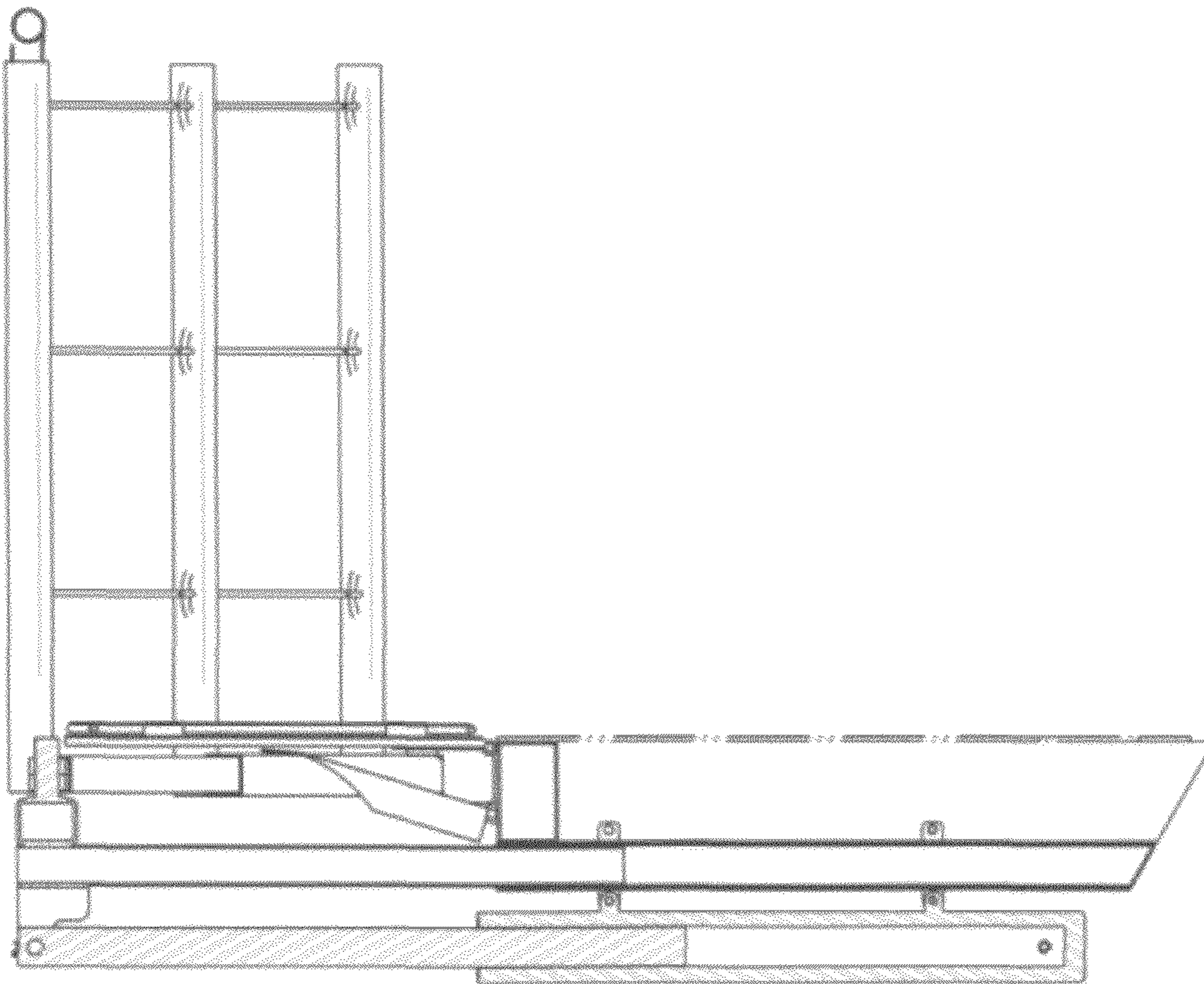


Fig. 7

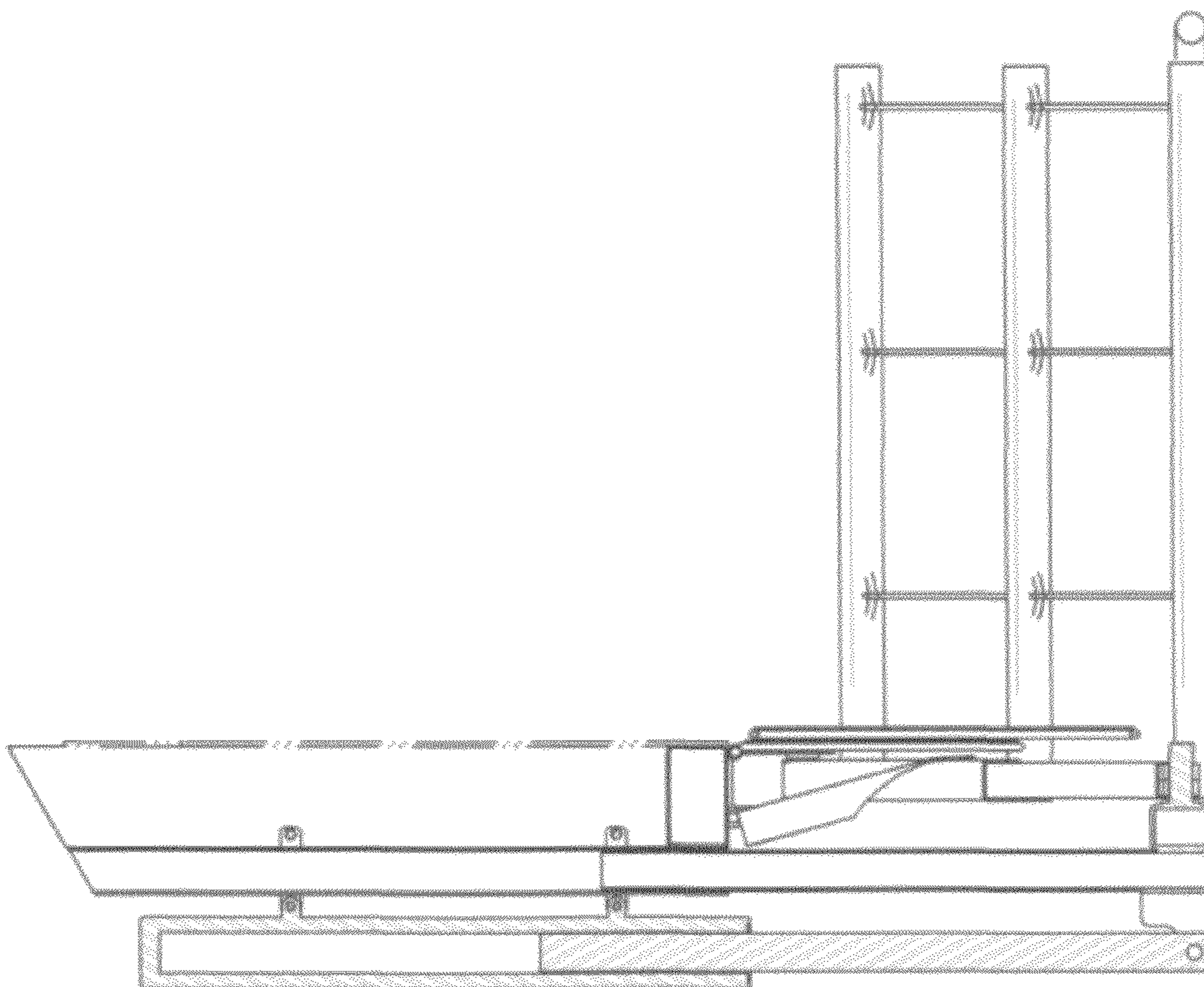


Fig. 8

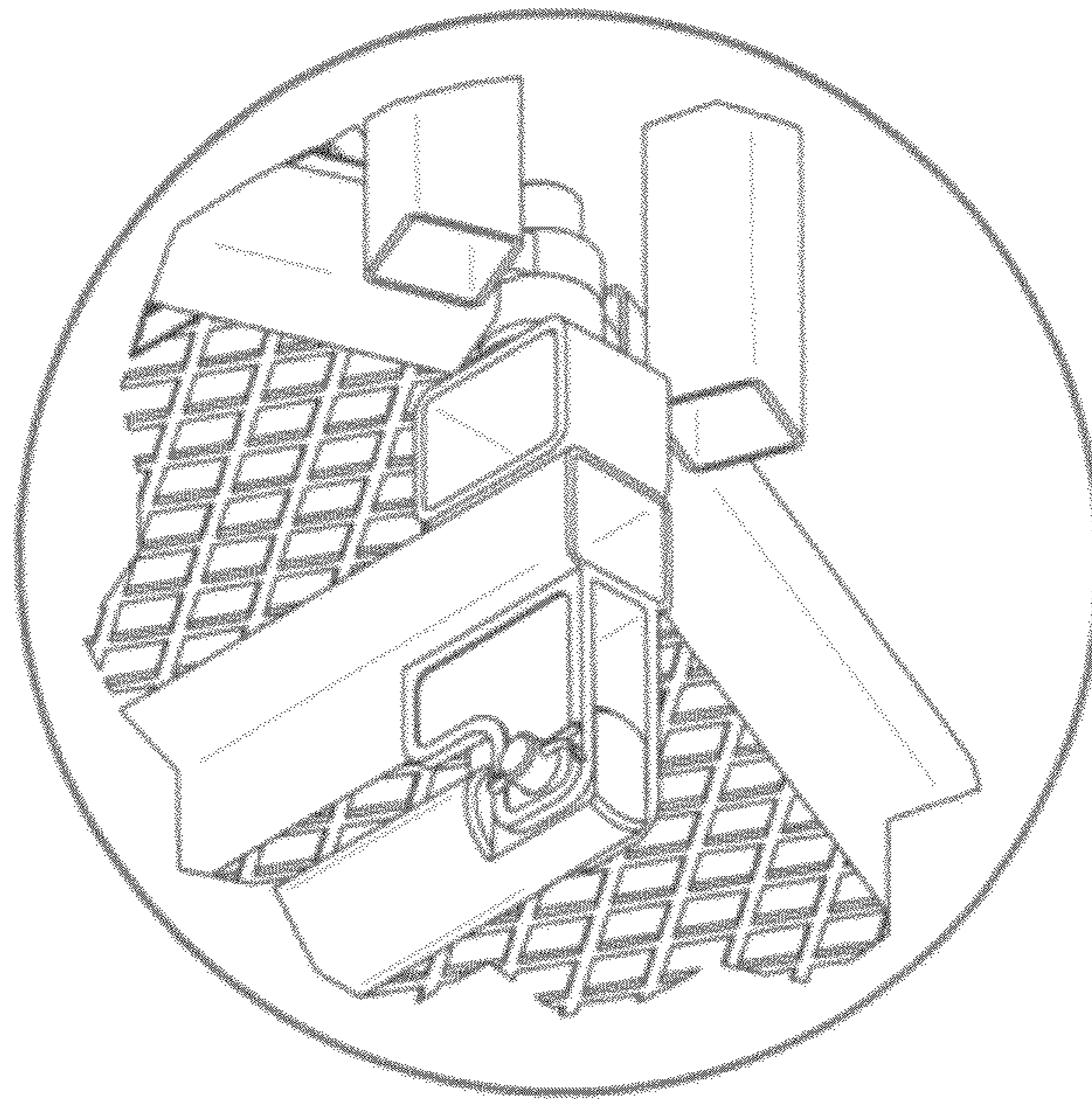


Fig. 10

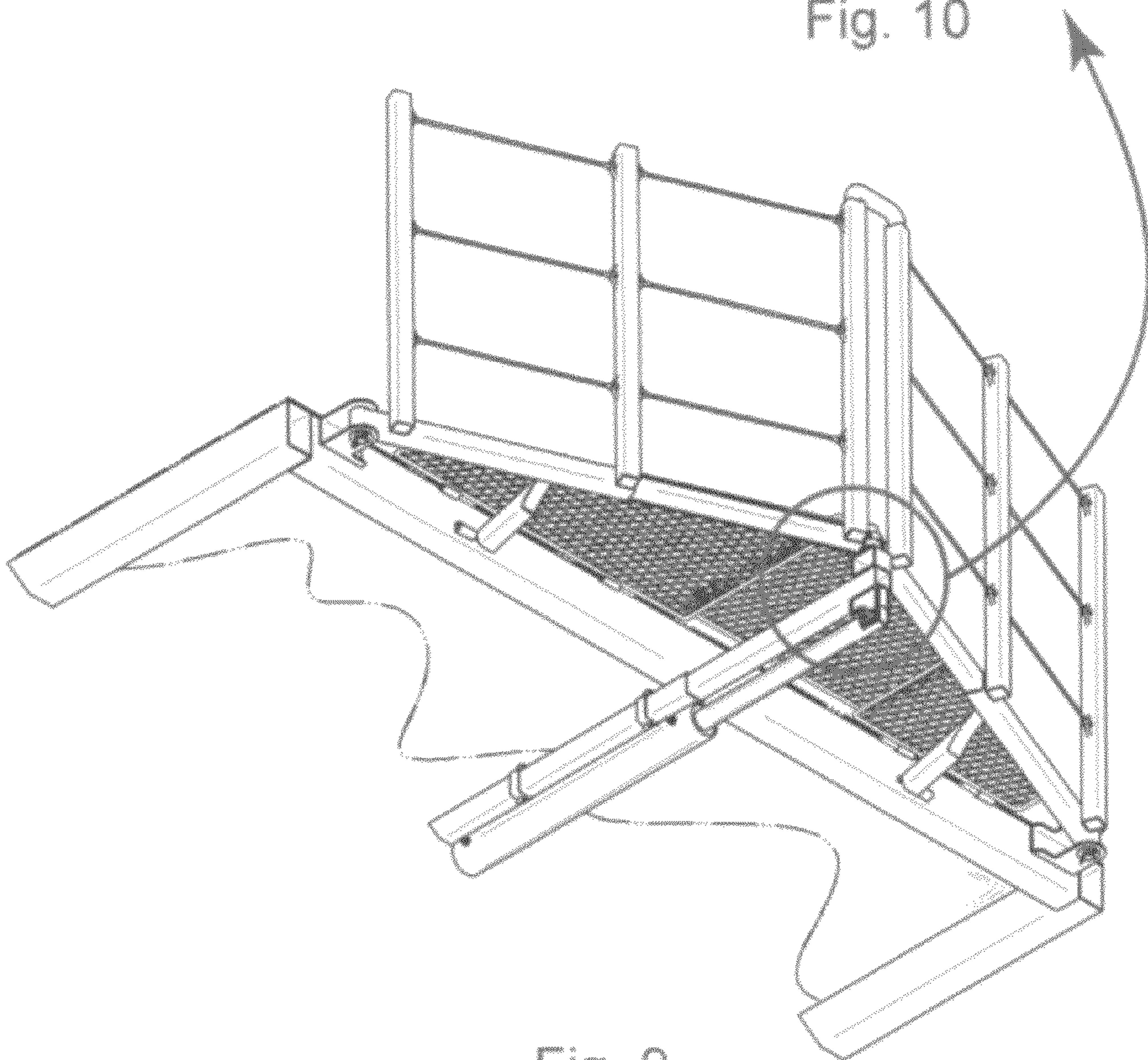


Fig. 9

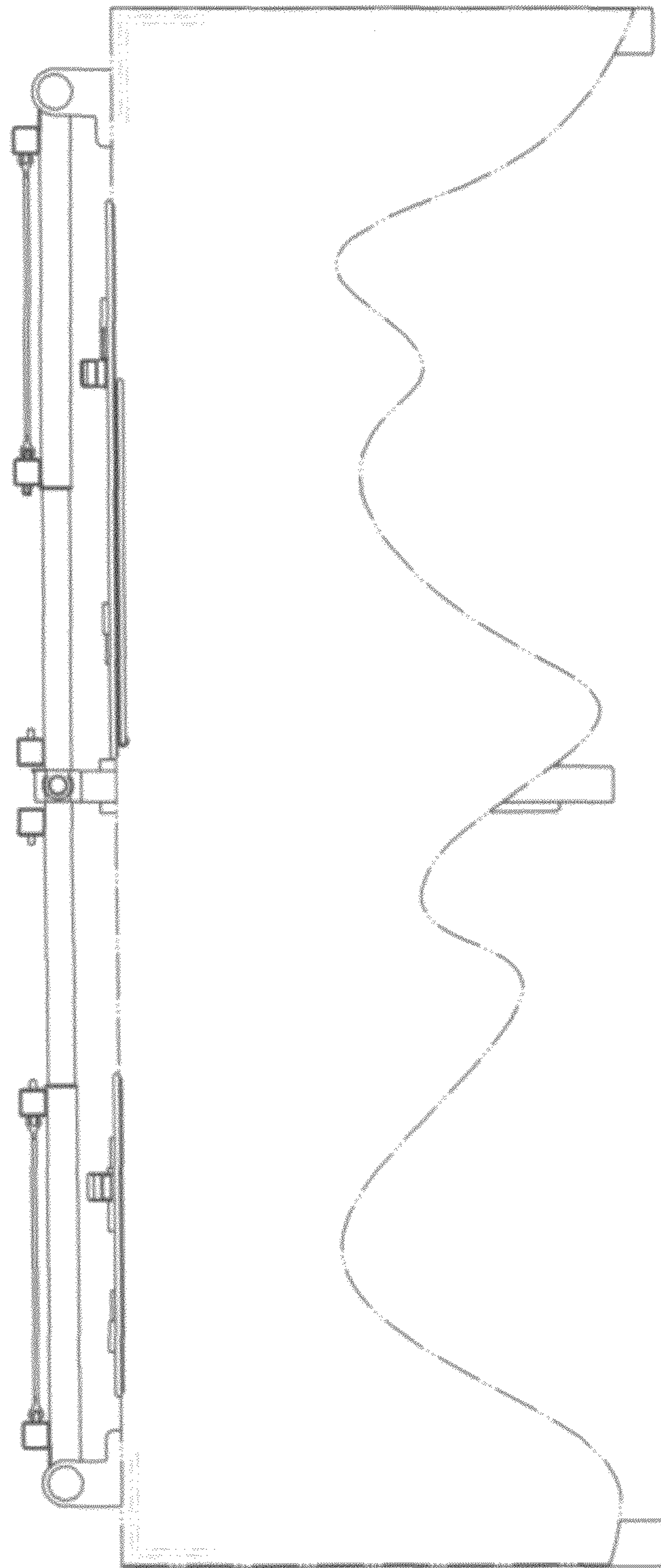


Fig. 11

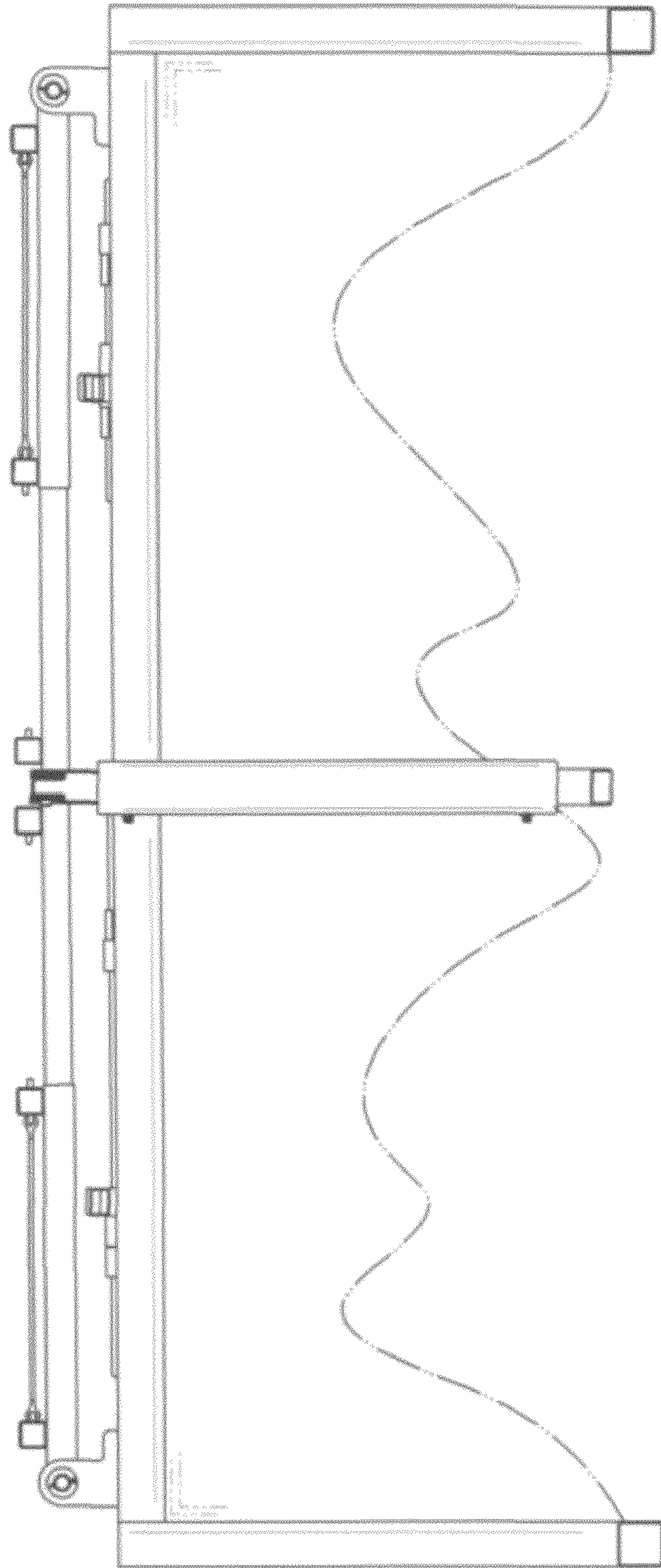


Fig. 12