

US00D656439S

(12) **United States Design Patent**
Saracoglu

(10) **Patent No.:** **US D656,439 S**
(45) **Date of Patent:** **** Mar. 27, 2012**

(54) **SPOILER FOR VEHICLE**

(75) Inventor: **Hakan Saracoglu**, Stuttgart (DE)

(73) Assignee: **Dr. Ing. h.c. F. Porsche Aktiengesellschaft**, Stuttgart (DE)

(**) Term: **14 Years**

(21) Appl. No.: **29/398,504**

(22) Filed: **Aug. 1, 2011**

(30) **Foreign Application Priority Data**

Feb. 9, 2011 (DE) 402011000561

(51) **LOC (9) Cl.** **12-08**

(52) **U.S. Cl.** **D12/181**

(58) **Field of Classification Search** D12/181,
D12/191, 196, 400, 190, 88; 280/727, 770,
280/848; 296/180.1-180.5, 91; 180/903
See application file for complete search history.

(56) **References Cited**

U.S. PATENT DOCUMENTS

D605,993 S * 12/2009 Furuhashi et al. D12/181
D606,918 S * 12/2009 Larson D12/181
D607,385 S * 1/2010 Krauss D12/181

D607,386 S * 1/2010 Kulla et al. D12/181
D609,617 S * 2/2010 Larson D12/181
D614,098 S * 4/2010 Larson D12/181
2008/0061596 A1 * 3/2008 Brown et al. 296/180.1
2009/0195016 A1 * 8/2009 Schwan et al. 296/180.3
2011/0169298 A1 * 7/2011 Goenueldinc 296/180.1
2011/0169299 A1 * 7/2011 Goenueldinc 296/180.5

* cited by examiner

Primary Examiner — Caron D Veynar

Assistant Examiner — Katrina A Betton

(74) *Attorney, Agent, or Firm* — RatnerPrestia

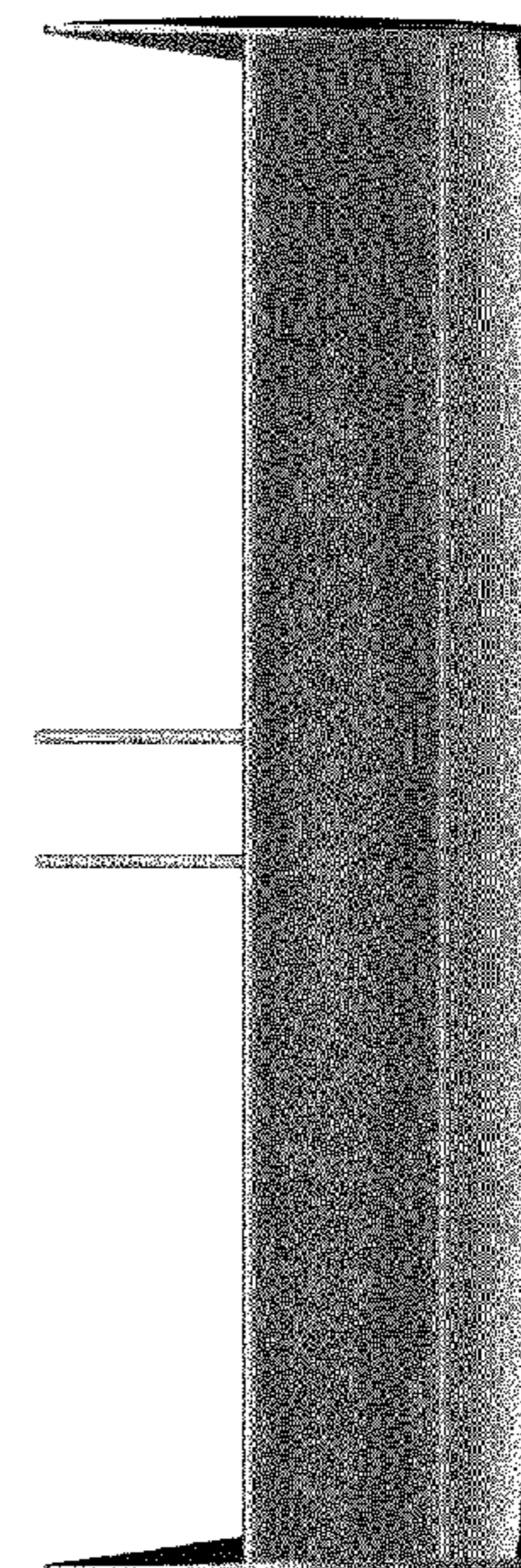
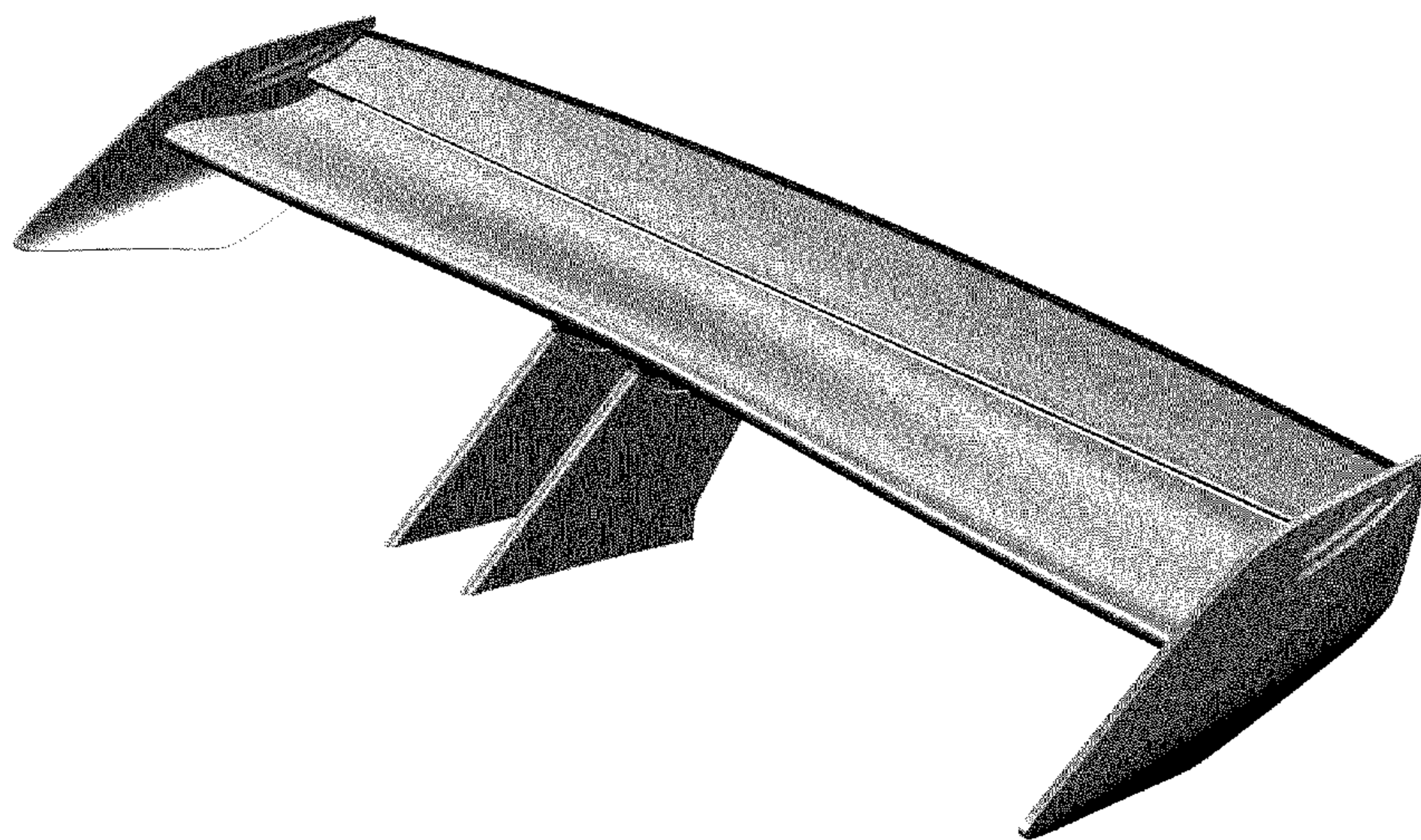
(57) **CLAIM**

The ornamental design for a spoiler for a vehicle, as shown and described.

DESCRIPTION

FIG. 1 is a perspective view of the spoiler for vehicle;
FIG. 2 is a front elevation view of the spoiler for vehicle;
FIG. 3 is a rear elevation view of the spoiler for vehicle;
FIG. 4 is an elevation view from the right side of the spoiler for vehicle;
FIG. 5 is an elevation view from the left side of the spoiler for vehicle;
FIG. 6 is a top plan view of the spoiler for vehicle; and
FIG. 7 is a bottom plan view of the spoiler for vehicle.

1 Claim, 5 Drawing Sheets



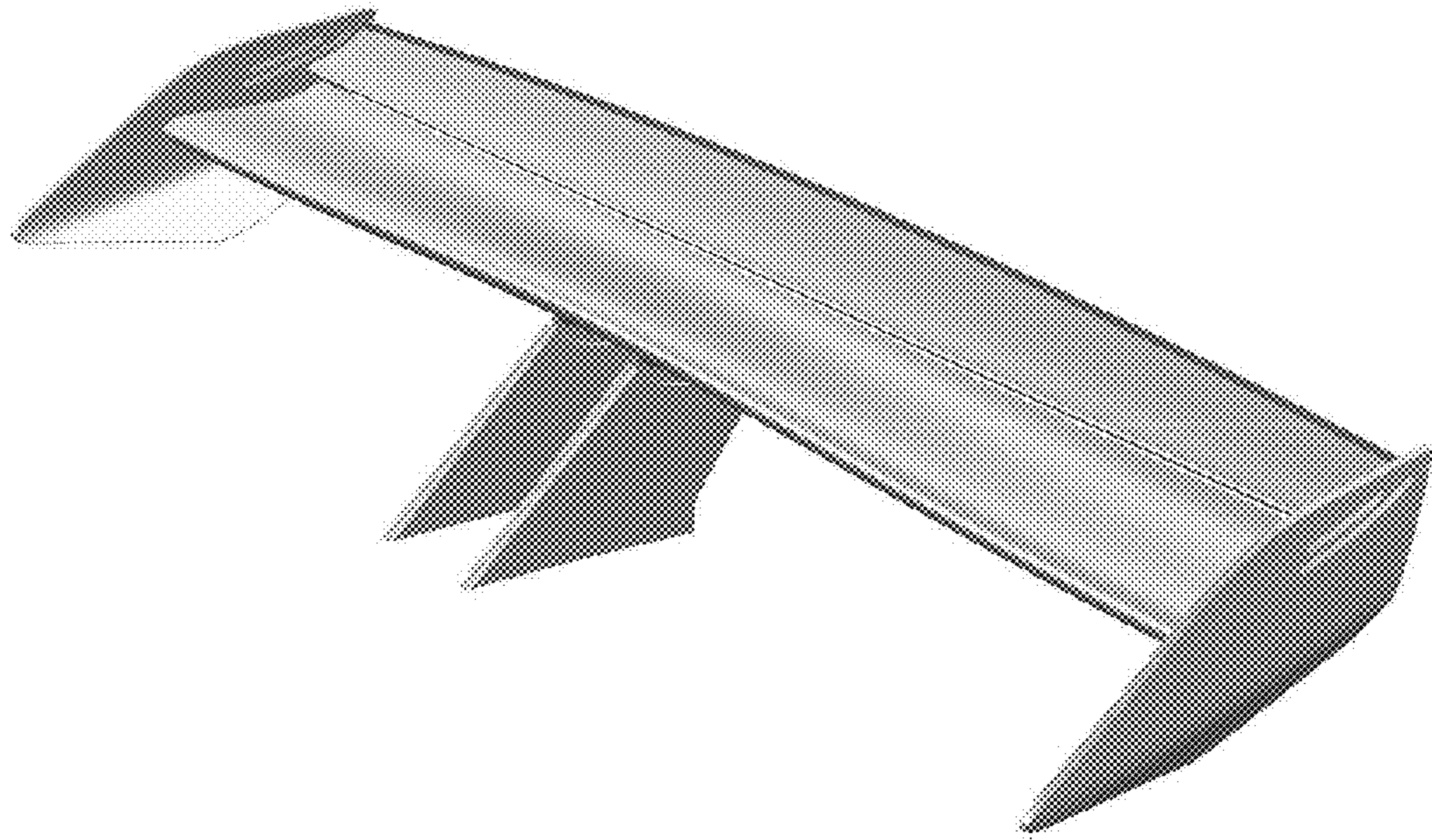


Figure 1

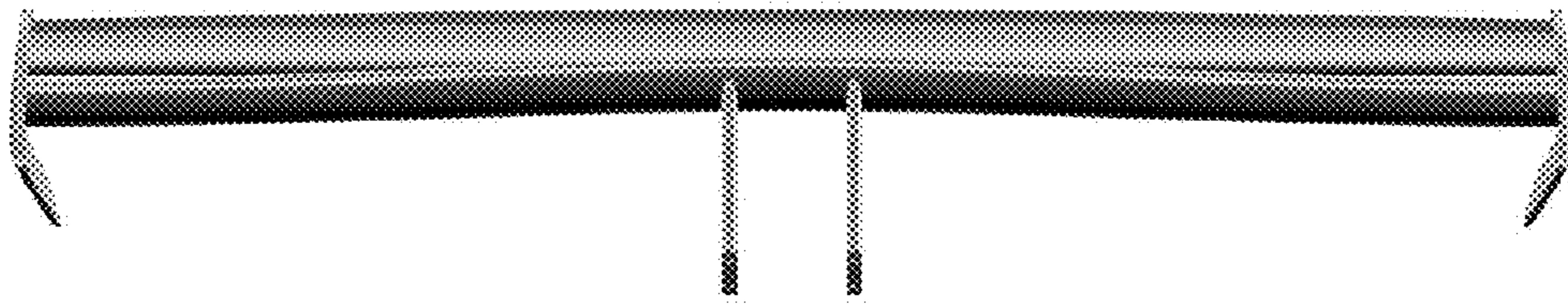


Figure 2

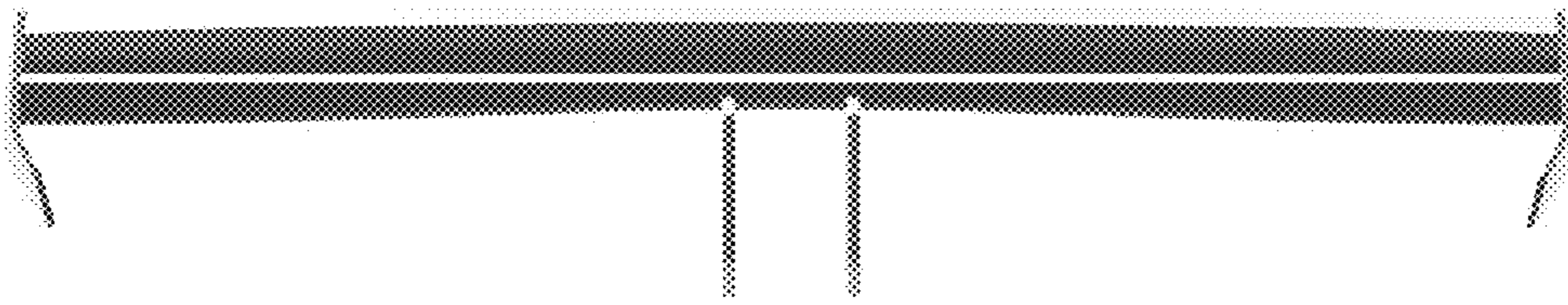


Figure 3

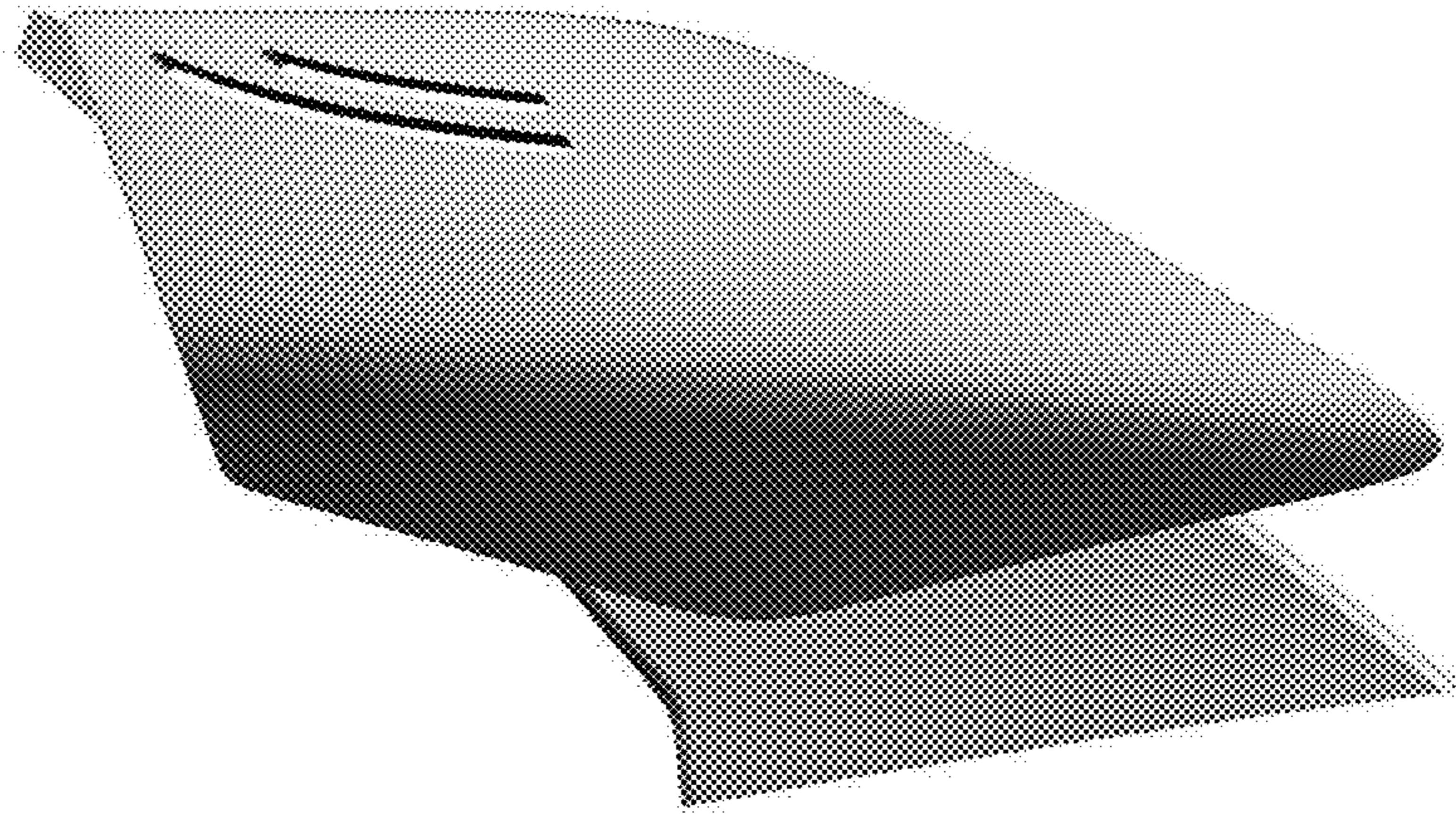


Figure 4

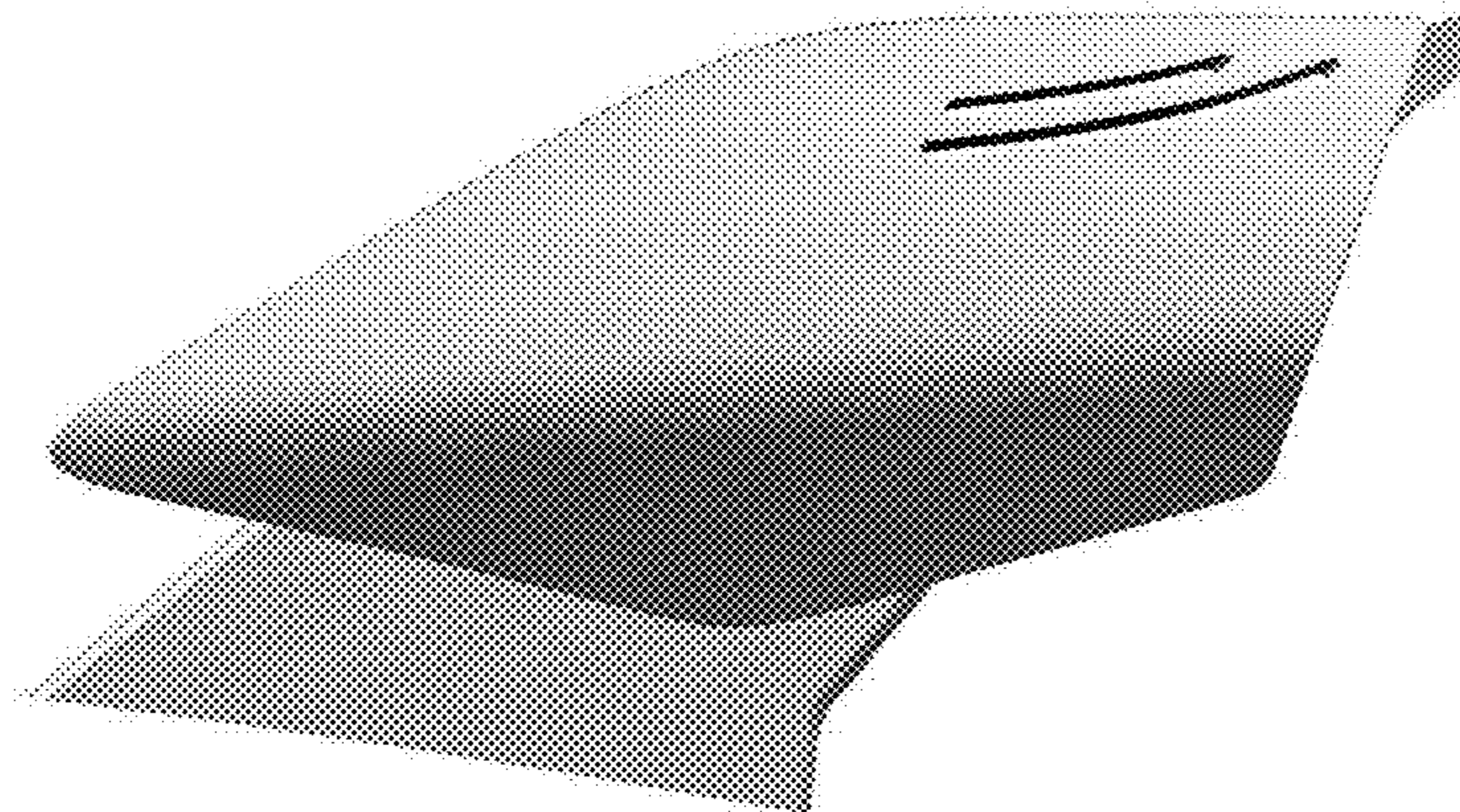


Figure 5

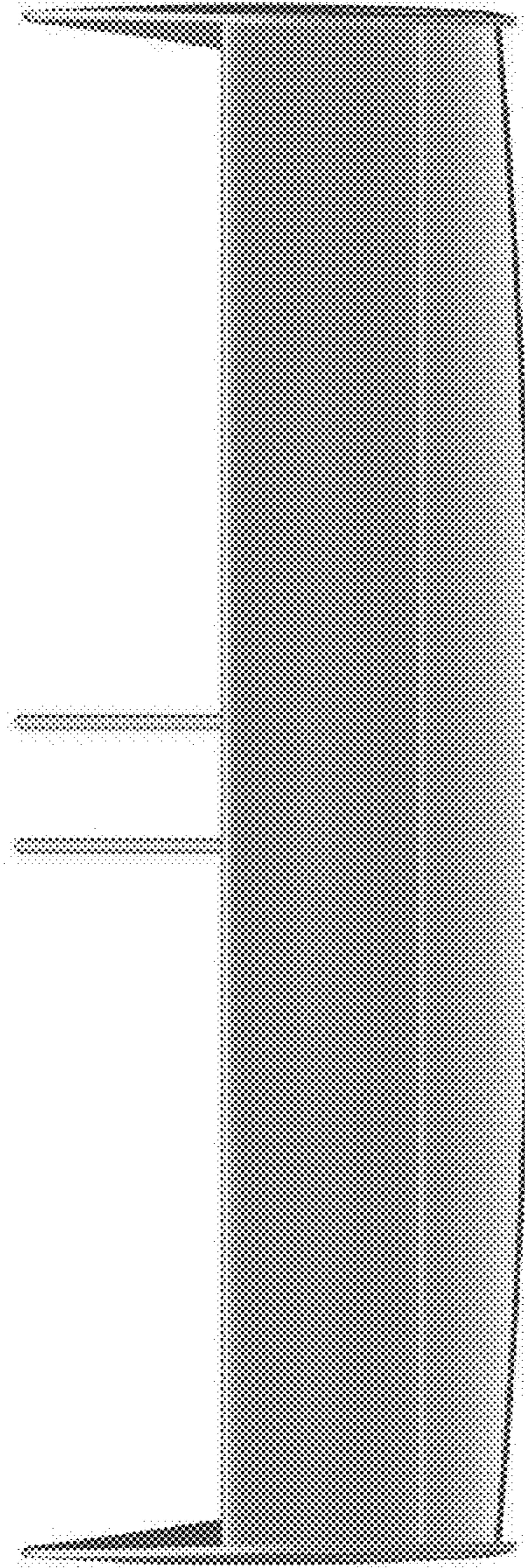


Figure 6

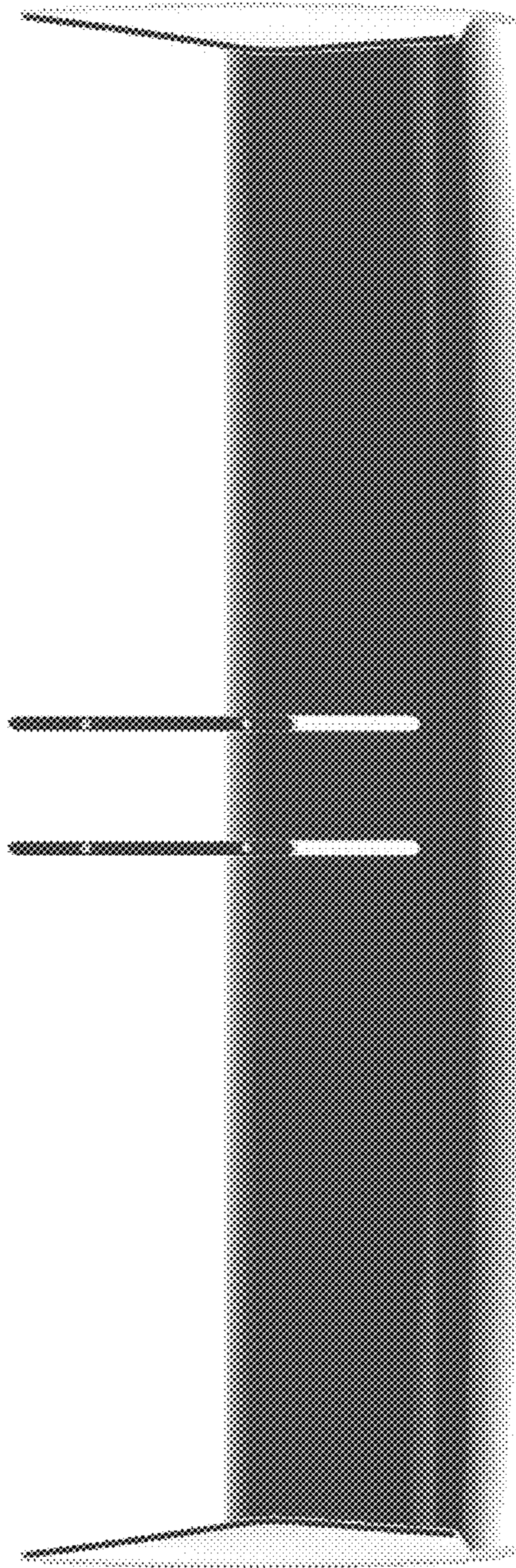


Figure 7