



US00D656438S

(12) **United States Design Patent**
Klatt et al.

(10) **Patent No.:** **US D656,438 S**

(45) **Date of Patent:** **** Mar. 27, 2012**

(54) **SHIFTER FOR A VEHICLE**

(56) **References Cited**

(75) Inventors: **Alexander Klatt**, Costa Mesa, CA (US);
Henrik Fisker, Newport Beach, CA
(US); **Nikola Stefanov**, San Clemente,
CA (US); **Todd George**, Chelsea, MI
(US)

U.S. PATENT DOCUMENTS

D515,580 S *	2/2006	Boswell et al.	D14/413
D562,745 S *	2/2008	Schowalter	D12/179
D599,262 S *	9/2009	Reed et al.	D12/174
D609,914 S *	2/2010	Erskine-Smith et al.	D4/104
D618,415 S *	6/2010	Greseth et al.	D34/1
D631,409 S *	1/2011	Mack et al.	D12/179

(73) Assignee: **Fisker Automotive, Inc.**, Irvine, CA
(US)

* cited by examiner

Primary Examiner — Melody N Brown

(**) Term: **14 Years**

(74) *Attorney, Agent, or Firm* — Foley & Lardner LLP

(21) Appl. No.: **29/364,932**

(57) **CLAIM**

The ornamental design for a shifter for a vehicle, as shown and described.

(22) Filed: **Jun. 30, 2010**

DESCRIPTION

(51) **LOC (9) Cl.** **12-16**

(52) **U.S. Cl.** **D12/179**

(58) **Field of Classification Search** D12/174,
D12/179; D14/412-416, 302; D21/324,
D21/328, 333, 565, 566; 74/473.14, 473.16,
74/473.23, 473.29, 473.3, 490.14, 523, 543,
74/573.1; 446/7, 430; 477/113

FIG. 1 is a top perspective view of a shifter for a vehicle showing our new design;

FIG. 2 is a top plan view thereof;

FIG. 3 is a right side perspective view thereof;

FIG. 4 is a front elevation view thereof;

FIG. 5 is a left side perspective view thereof; and,

FIG. 6 is a rear elevation view thereof.

See application file for complete search history.

1 Claim, 2 Drawing Sheets

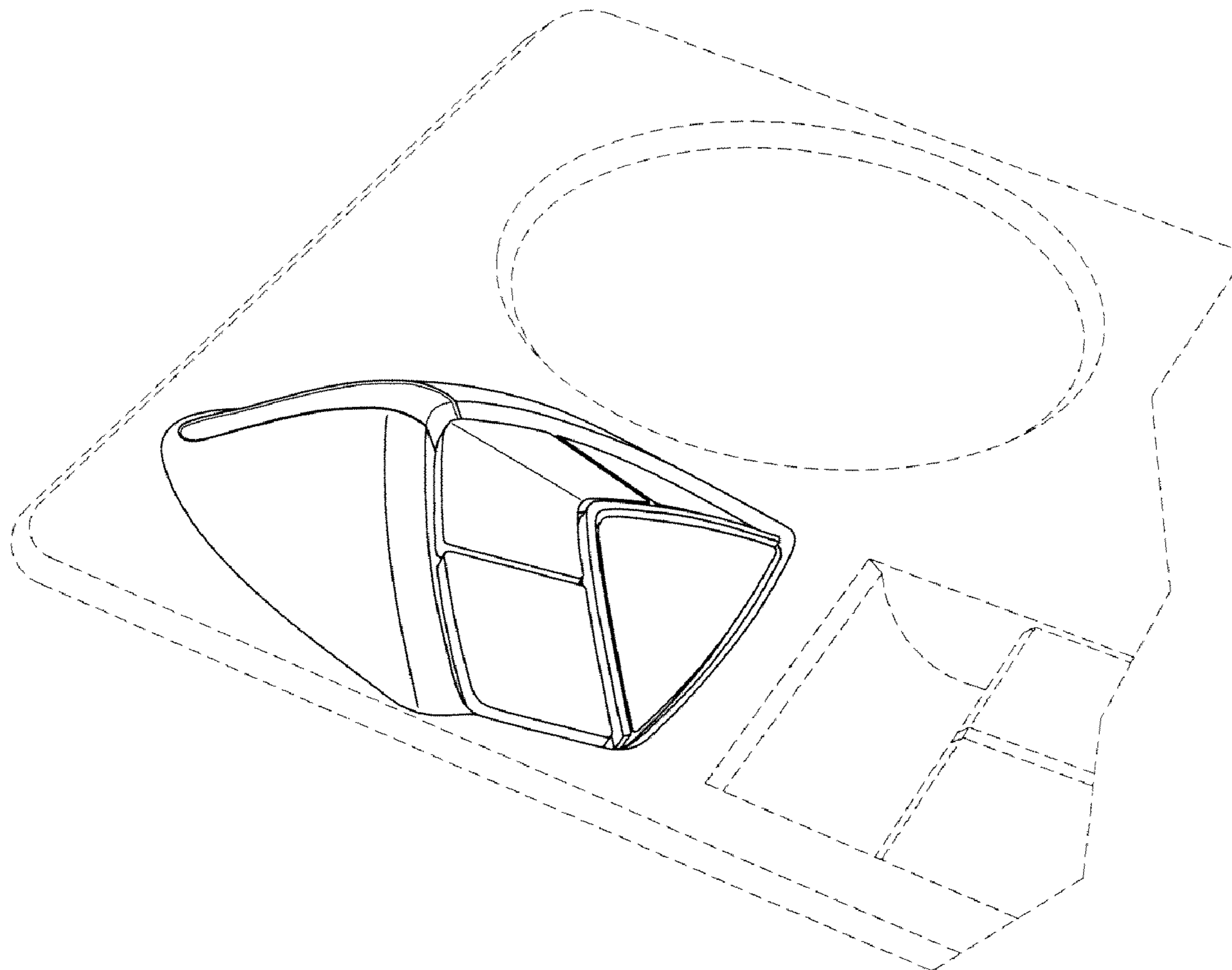


Fig. 2

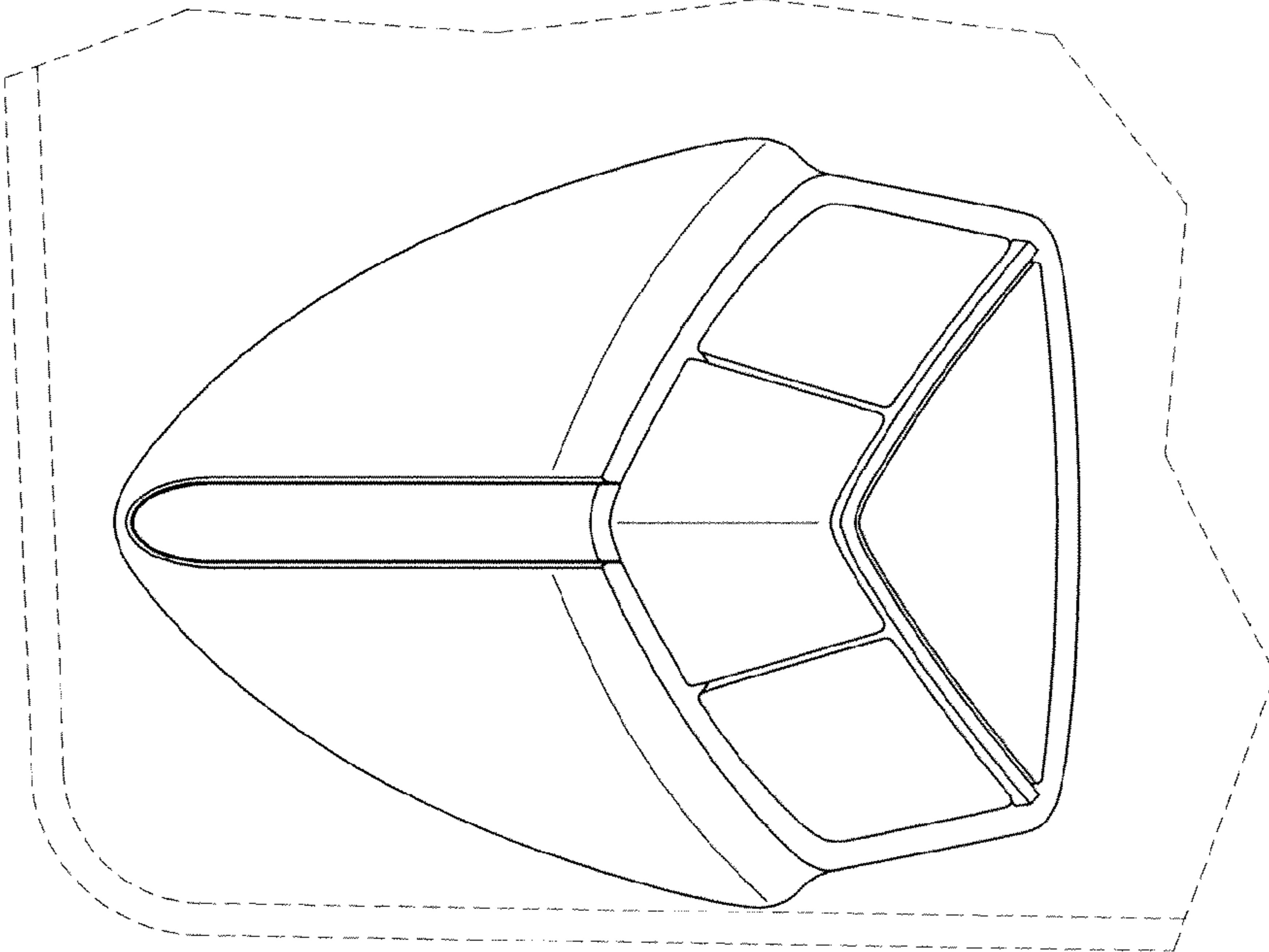


Fig. 1

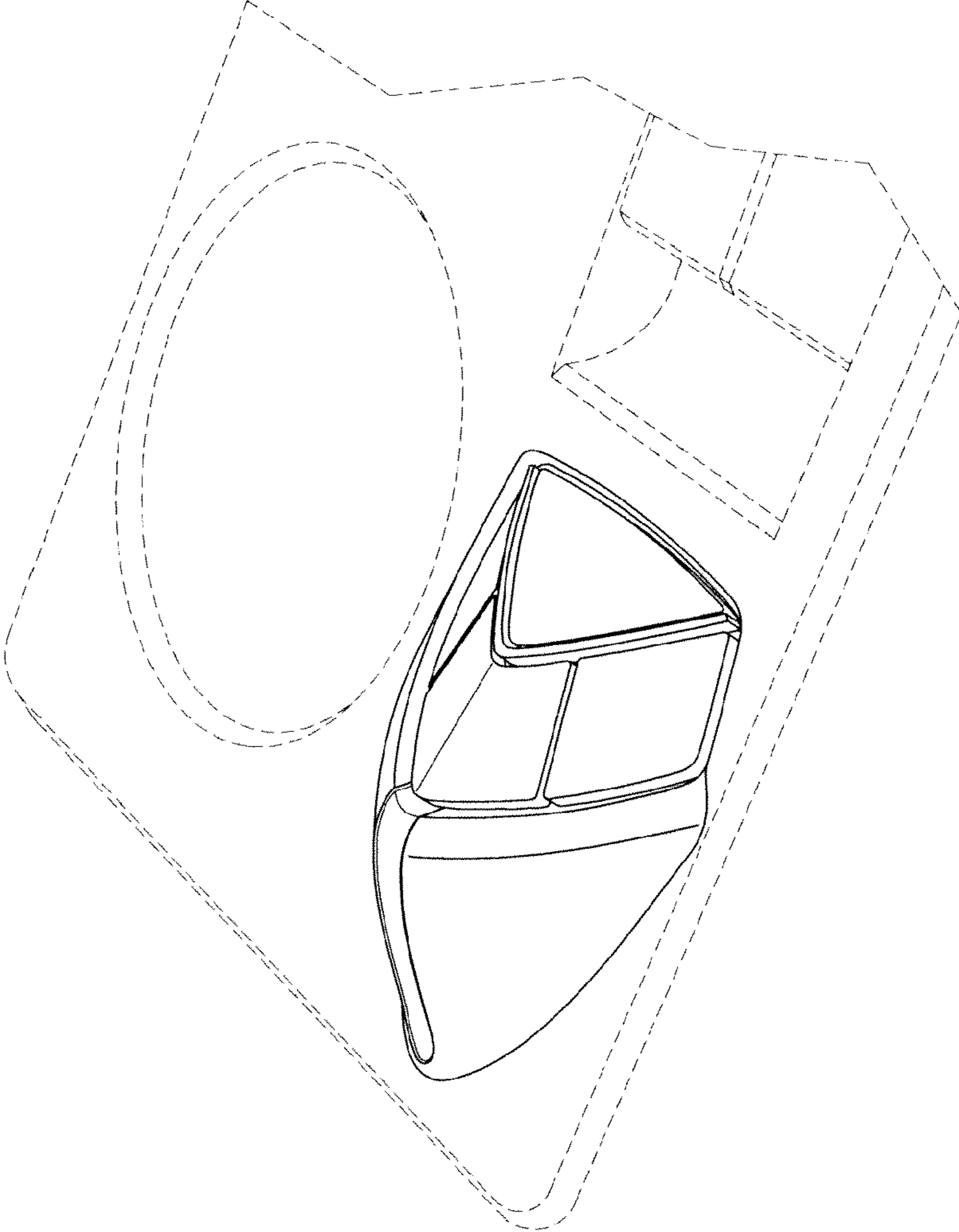


Fig. 3

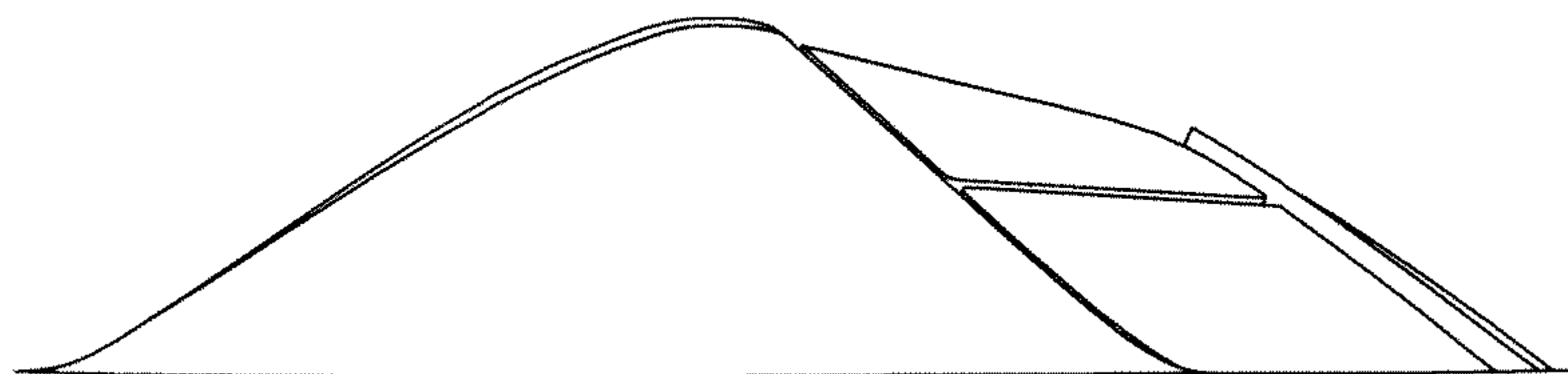


Fig. 4

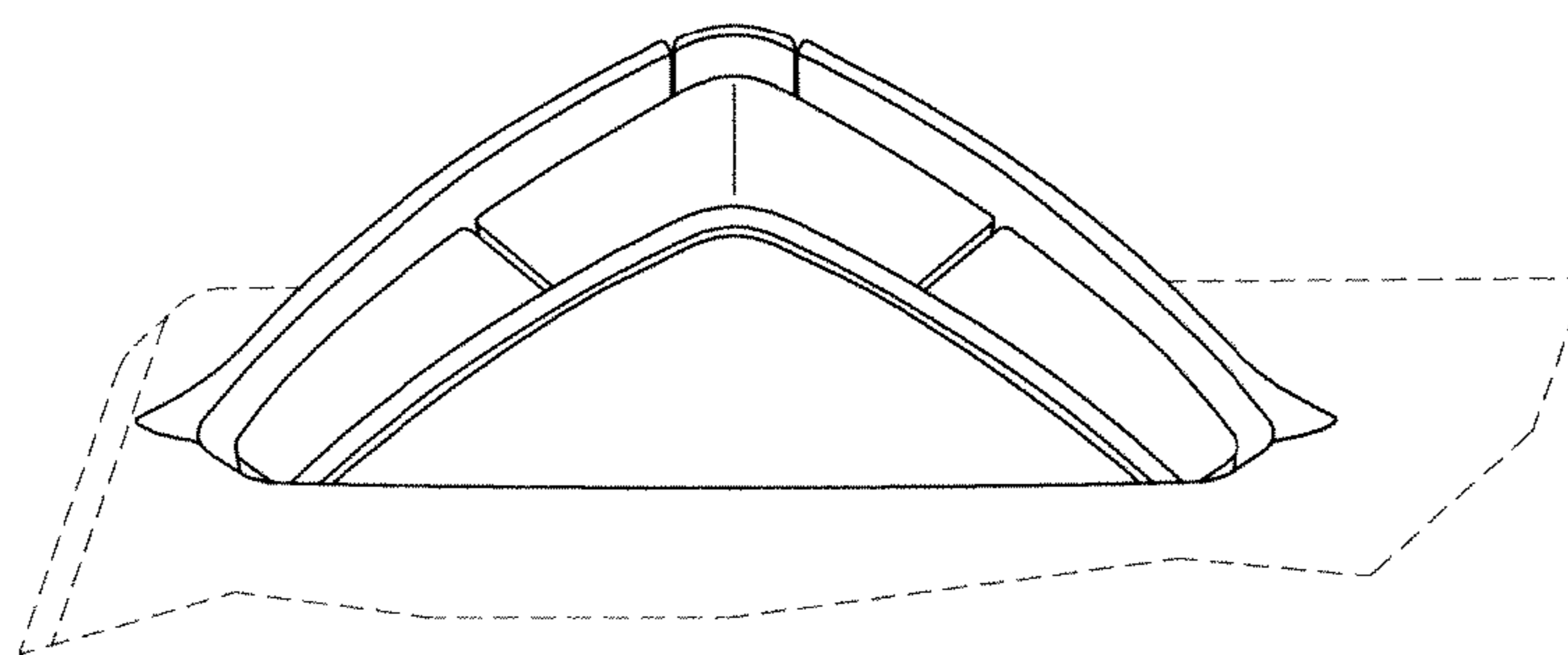


Fig. 5

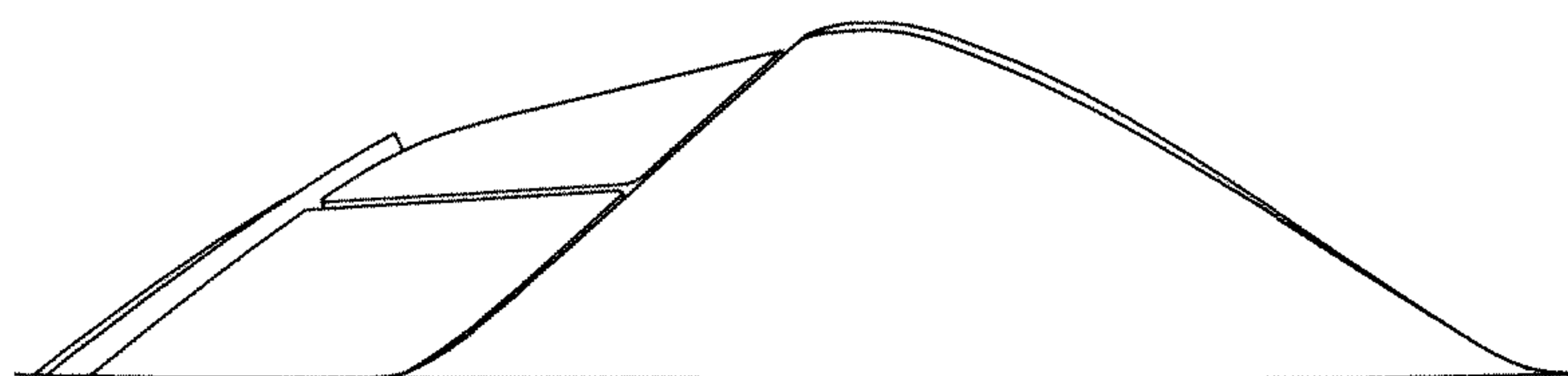


Fig. 6

