



US00D656437S

(12) **United States Design Patent**
Tambornino

(10) **Patent No.:** **US D656,437 S**
(45) **Date of Patent:** **** Mar. 27, 2012**

(54) **TUBULAR UNDERSIDE PORTION OF FOLDING BALL HITCH**

DESCRIPTION

- (75) Inventor: **Curt Tambornino**, Altoona, WI (US)
- (73) Assignee: **Curt Manufacturing, LLC**, Eau Claire, WI (US)
- (**) Term: **14 Years**
- (21) Appl. No.: **29/376,938**
- (22) Filed: **Oct. 14, 2010**
- (51) **LOC (9) Cl.** **12-16**
- (52) **U.S. Cl.** **D12/161**
- (58) **Field of Classification Search** D12/159, D12/160, 161, 162; 56/DIG. 14; 37/399; 280/406.2, 407, 407.1, 408, 411.1, 416.1, 280/416.2, 416.3, 418, 418.1, 433, 434, 435, 280/441.1, 441.2, 455.1, 456.1, 480, 493, 280/504, 508; 224/42.11, 42.12, 42.14, 42.26, 224/400, 401, 412, 413, 488, 494, 537
See application file for complete search history.

Other ornamental aspects of the folding ball hitch are described and claimed in U.S. patent application Ser. No. 29/376,935, filed on even date herewith, incorporated herein by reference. Utilitarian aspects of the folding ball hitch are described and claimed in U.S. patent application Ser. No. 12/904,479, filed on even date herewith, incorporated herein by reference.

FIGS. 1 and 2 are top and bottom perspective views of a tubular underside portion of a folding ball hitch showing my new design, both shown in the extended position. The ornamental appearance of the tubular underside portion remains identical when the folding ball hitch is in the folded position. FIG. 3 is a left side view showing the tubular underside portion of the folding ball hitch of FIGS. 1 and 2.

FIG. 4 is rear view of the tubular underside portion of the folding ball hitch of FIGS. 1-3.

FIG. 5 is a right side view of the tubular underside portion of the folding ball hitch of FIGS. 1-4.

FIG. 6 is a bottom view of the tubular underside portion of the folding ball hitch of FIGS. 1-5.

FIG. 7 is a top view of the tubular underside portion of the folding ball hitch of FIGS. 1-6.

FIG. 8 is a cross-sectional view of the tubular underside portion of the folding ball hitch, taken along lines 8-8 in FIG. 7.

FIG. 9 is a front side view of the tubular underside portion of the folding ball hitch of FIGS. 1-8.

FIG. 10 is a cross-sectional view of the tubular underside portion of the folding ball hitch, taken along lines 10-10 in FIG. 7; and,

FIG. 11 is a cross-sectional view of the tubular underside portion of the folding ball hitch, taken along lines 11-11 in FIG. 7.

The dashed lines are intended to show the environment of use of the tubular underside portion of the folding ball hitch and do not form a part of the claimed design.

(56) **References Cited**

U.S. PATENT DOCUMENTS

- 3,893,713 A 7/1975 Ivy
- 4,256,324 A 3/1981 Hamilton
- 4,536,994 A 8/1985 Taylor
- 4,540,194 A 9/1985 Dane
- 4,546,994 A * 10/1985 Taylor 280/423.1

(Continued)

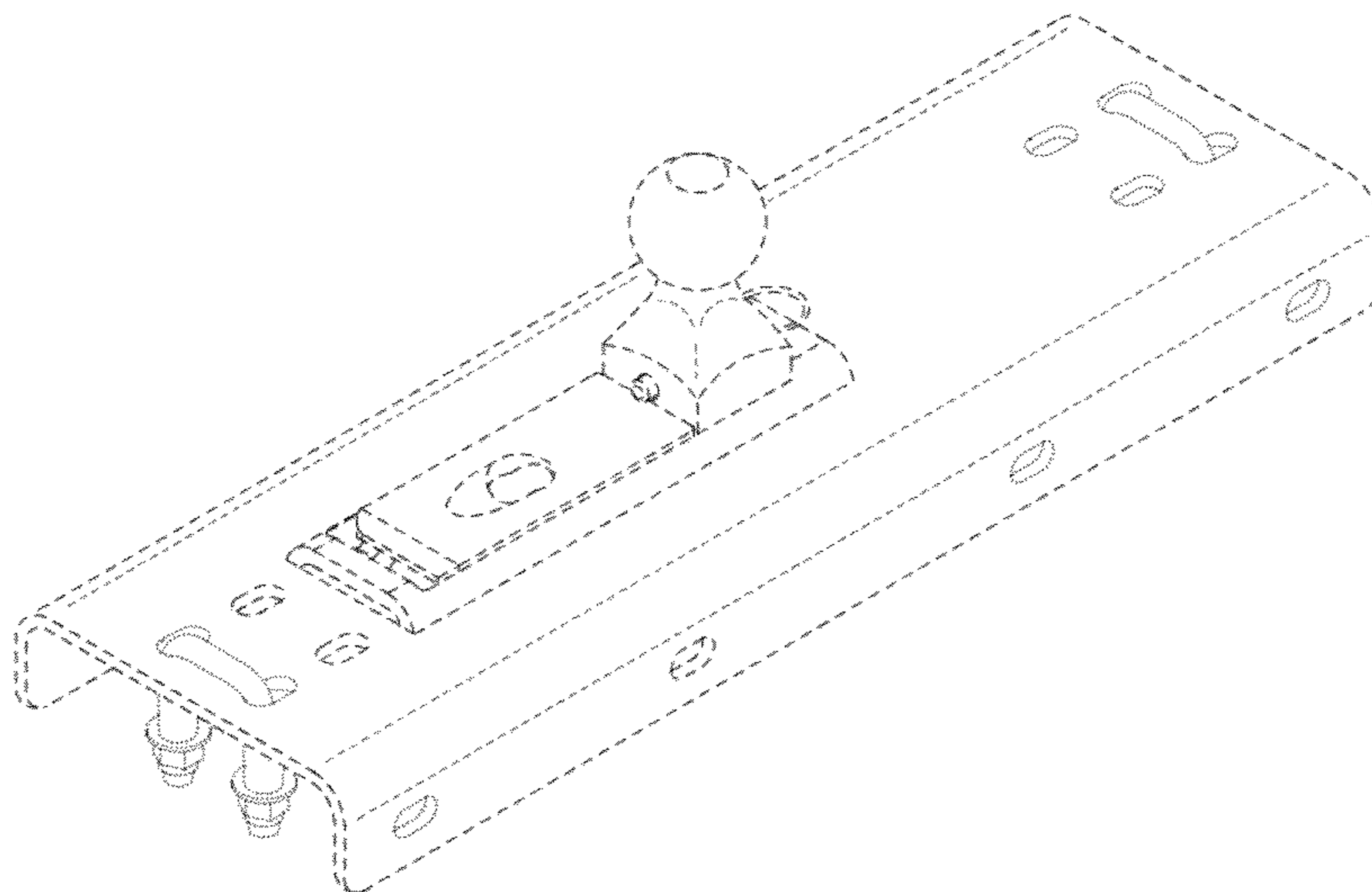
Primary Examiner — Michael Pratt

(74) *Attorney, Agent, or Firm* — Shewchuk IP Services, LLC; Jeffrey D. Shewchuk

(57) **CLAIM**

The ornamental design for a tubular underside portion of a folding ball hitch, as shown and described.

1 Claim, 6 Drawing Sheets



US D656,437 S

Page 2

U.S. PATENT DOCUMENTS

4,570,966	A	2/1986	Giboney et al.					
4,657,274	A	4/1987	Mann et al.					
4,685,695	A *	8/1987	LeVee	280/441.2				
4,921,266	A	5/1990	Beals					
5,016,898	A	5/1991	Works et al.					
5,435,585	A	7/1995	Chambers					
5,472,222	A *	12/1995	Marcy	280/433				
5,755,452	A	5/1998	Tambornino					
					D401,542	S	11/1998	Lindenman
					5,860,671	A	1/1999	Mackeown
					5,893,575	A	4/1999	Larkin
					5,906,387	A	5/1999	Wallace
					6,199,890	B1	3/2001	Lindenman et al.
					6,409,202	B1	6/2002	Putnam
					D472,188	S	3/2003	Tambornino
					6,533,308	B1	3/2003	Tambornino

* cited by examiner

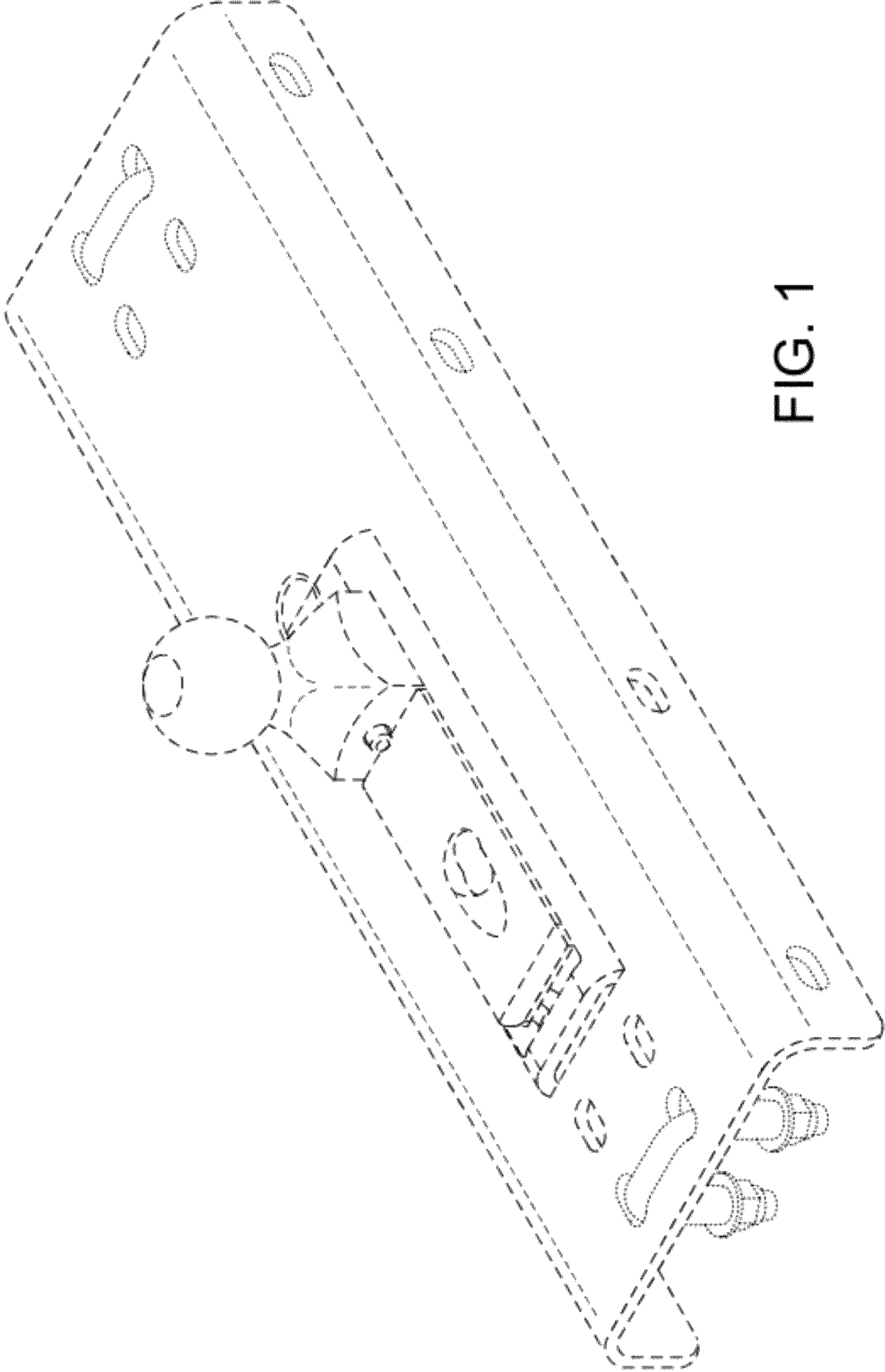


FIG. 1

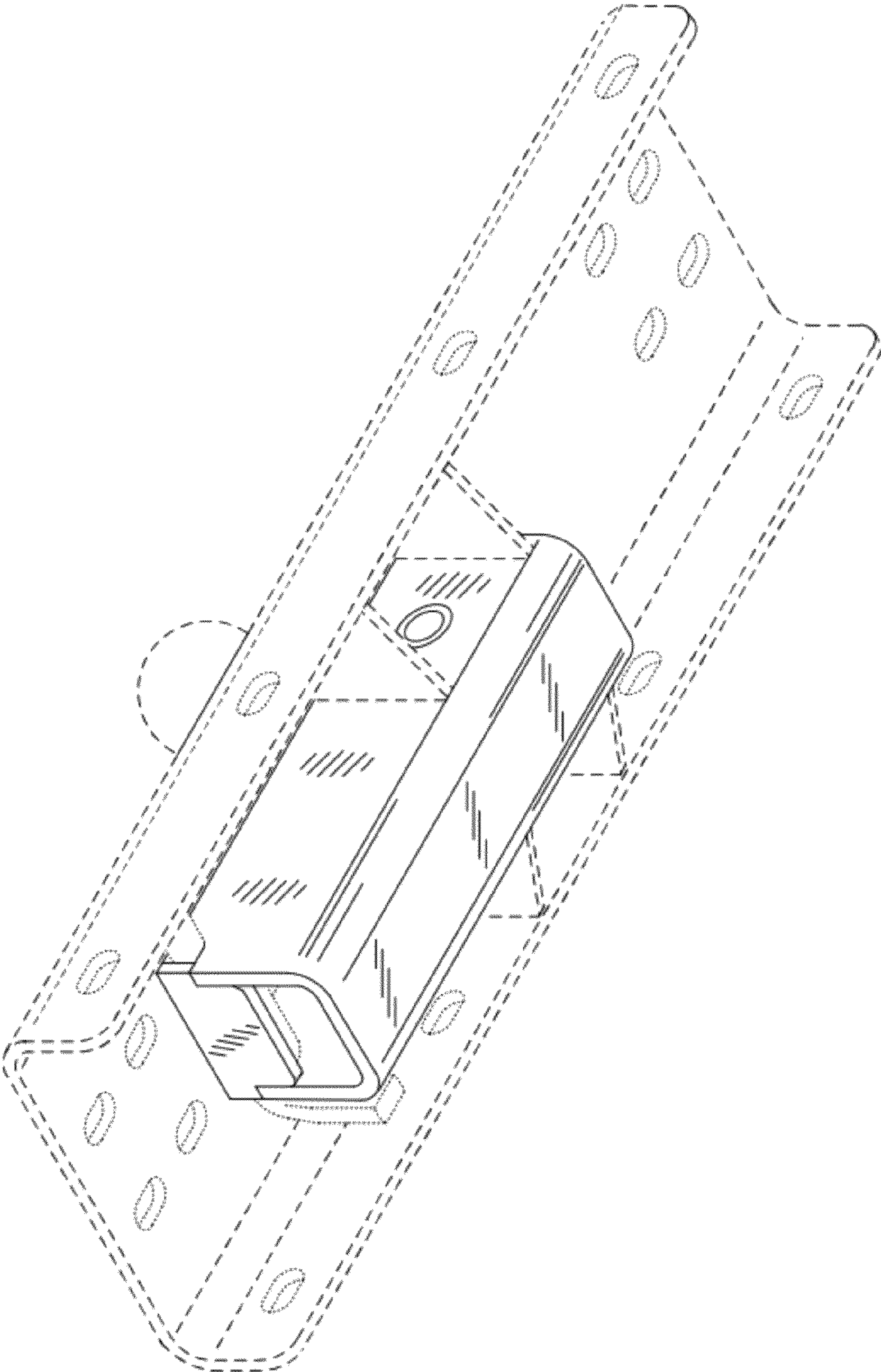


FIG. 2

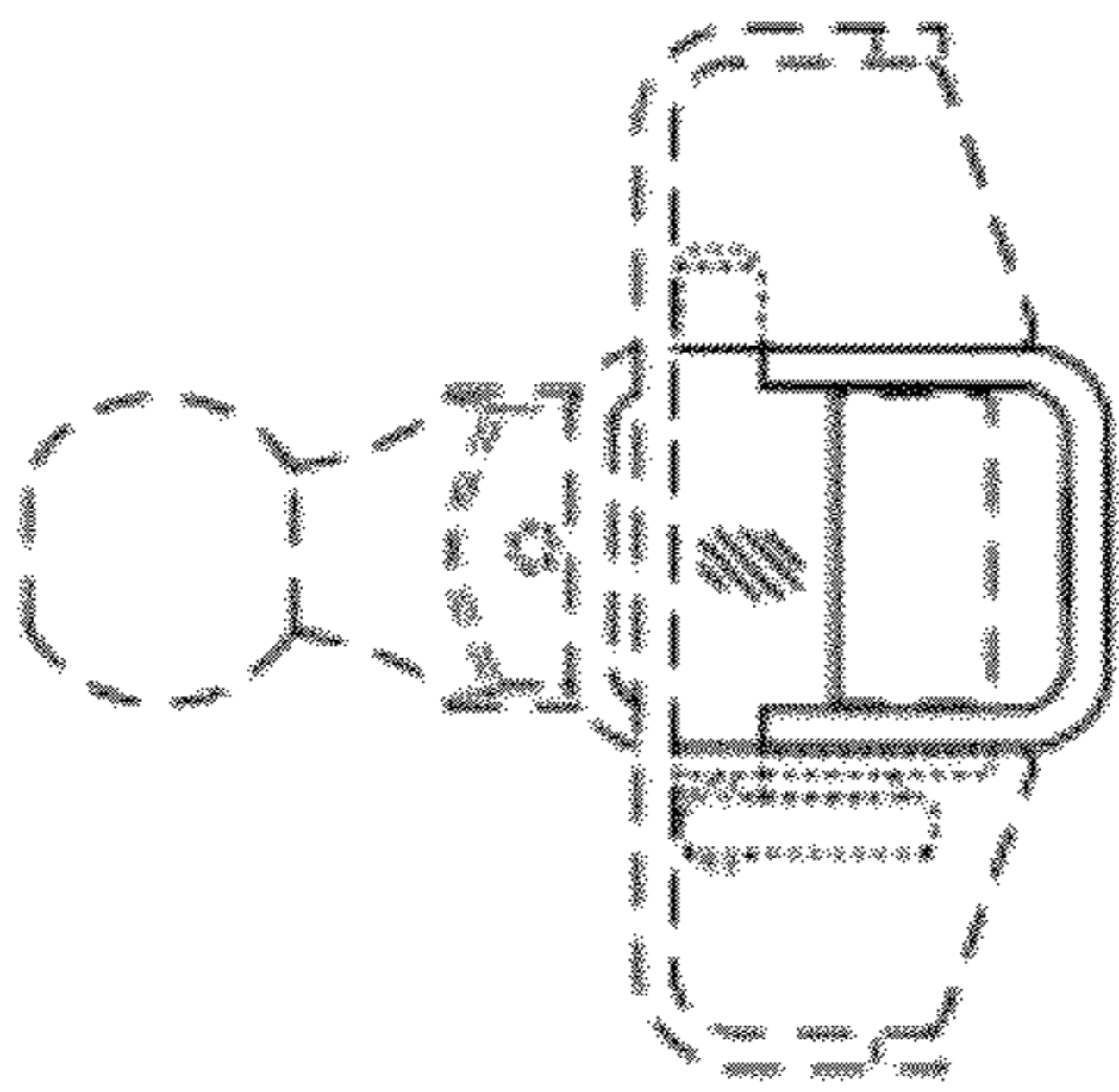


FIG. 3

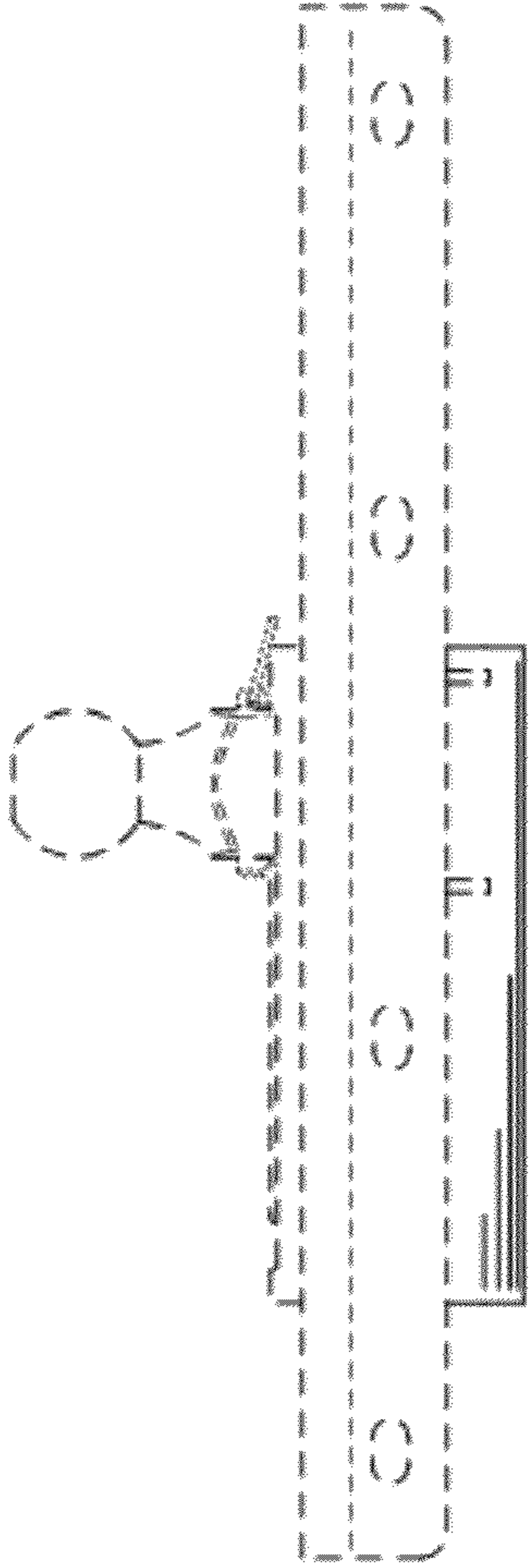


FIG. 4

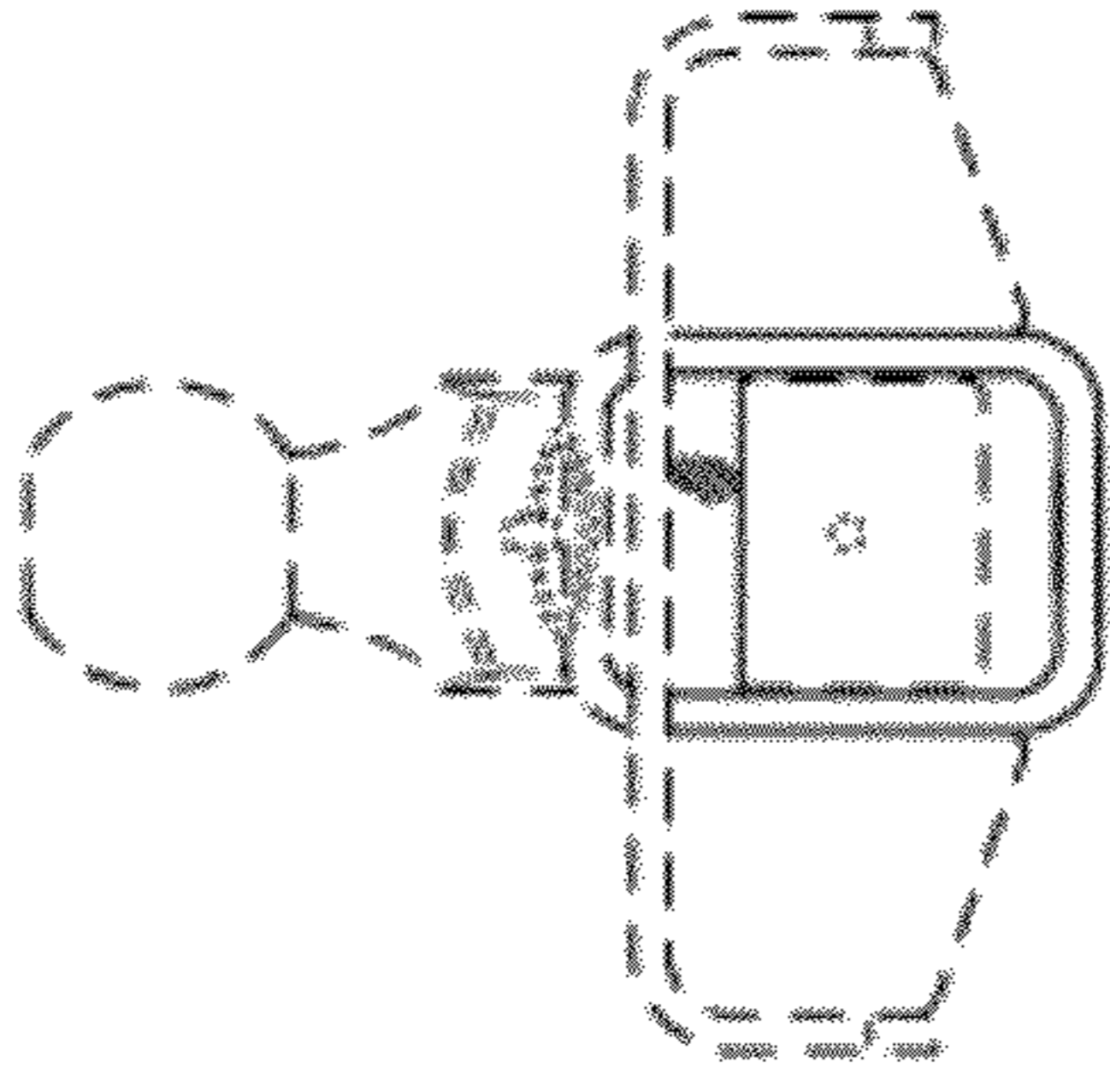


FIG. 5

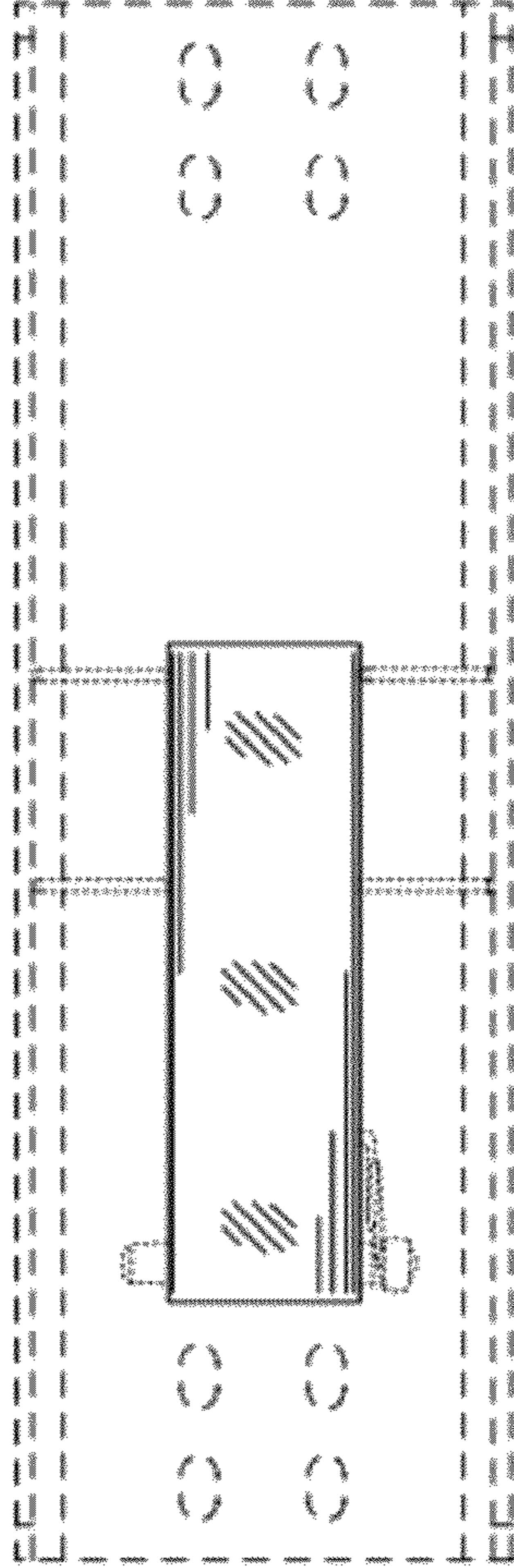


FIG. 6

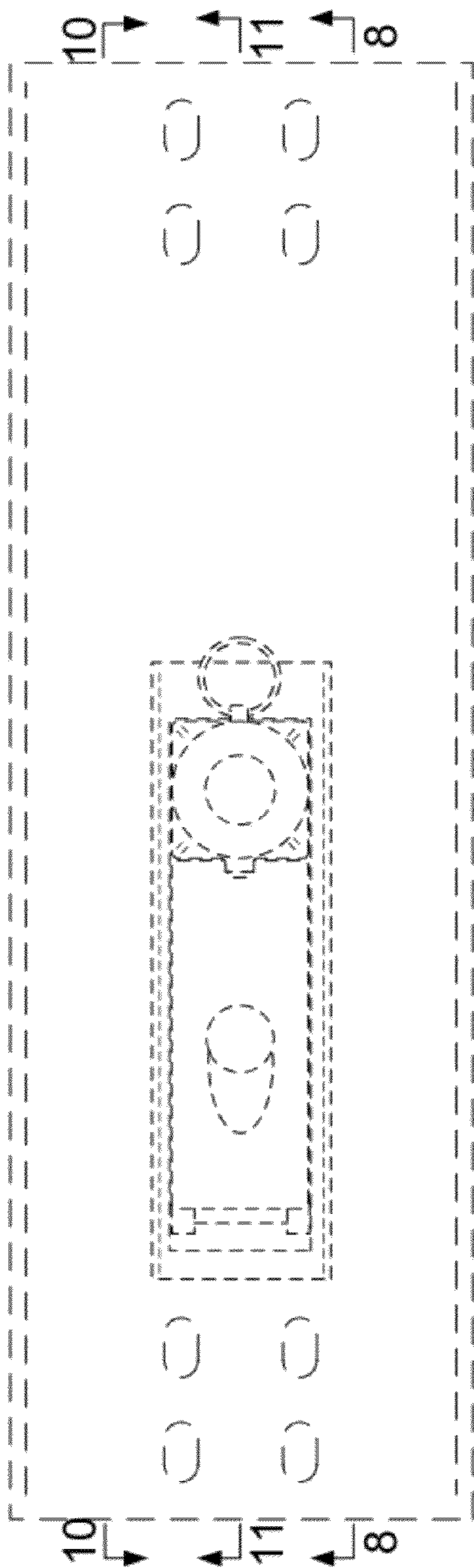


FIG. 7

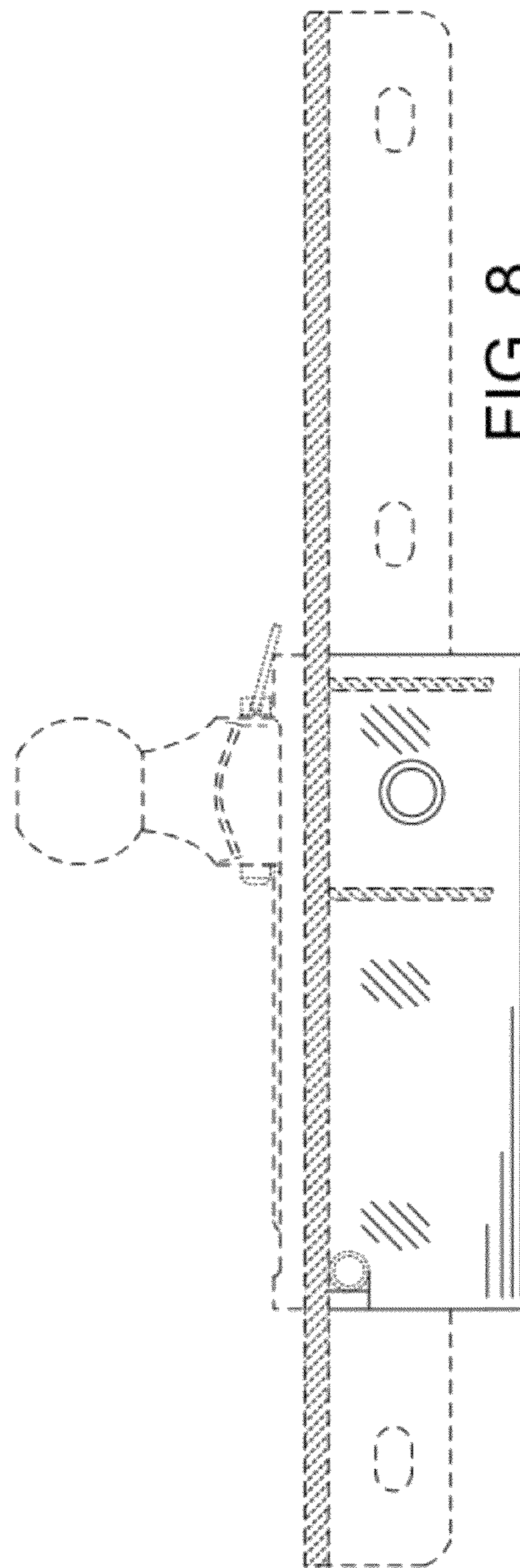


FIG. 8

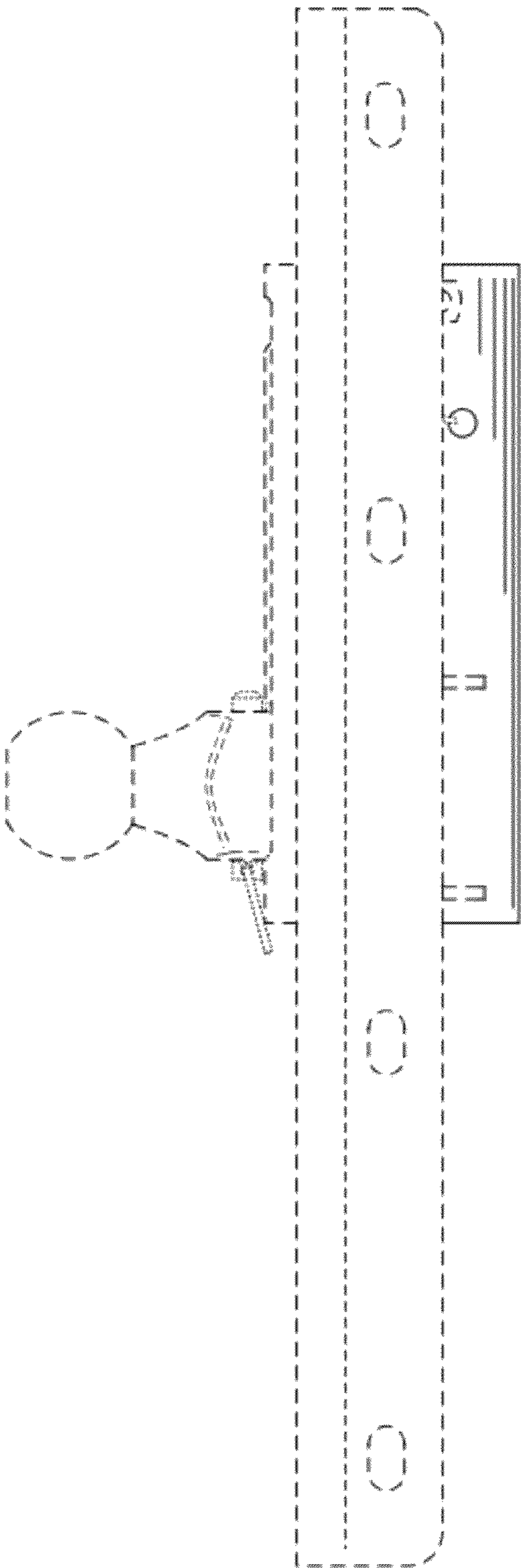


FIG. 9

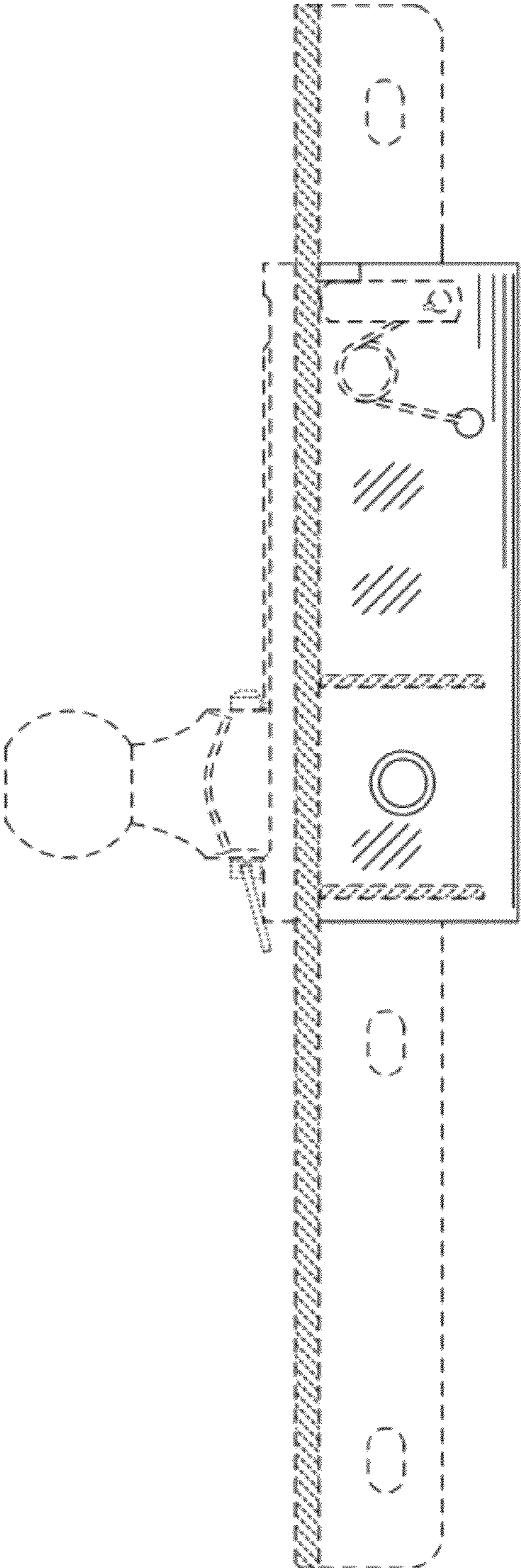


FIG. 10

