



US00D656436S

(12) **United States Design Patent**  
**Gohr et al.**

(10) **Patent No.:** **US D656,436 S**  
(45) **Date of Patent:** **\*\* Mar. 27, 2012**

(54) **BRAKE RESERVOIR COVER**

(75) Inventors: **Jeffrey S. Gohr**, Menomonee Falls, WI (US); **Ryan D. Janscha**, Brookfield, WI (US)

(73) Assignee: **HB Performance Systems, Inc.**, Mequon, WI (US)

(\*\*) Term: **14 Years**

(21) Appl. No.: **29/386,818**

(22) Filed: **Mar. 4, 2011**

(51) **LOC (9) Cl.** ..... **12-11**

(52) **U.S. Cl.** ..... **D12/126; D12/218**

(58) **Field of Classification Search** ..... D12/126, D12/218, 114, 179, 180, 110; 180/219; 60/533, 60/584-594; 188/24.11-24.22, 151 R, 344, 188/345, 152; 137/583, 587, 800, 572; 220/301, 220/302, 775, 780, 784, 562, 564, 259.3, 220/288, 304, 378; 280/833, 835  
See application file for complete search history.

(56) **References Cited**

**U.S. PATENT DOCUMENTS**

D274,136 S *	6/1984	Stahel	.....	D12/114
D274,137 S *	6/1984	Stahel	.....	D12/114
4,558,798 A *	12/1985	Sakaguchi et al.	.....	220/259.3
D290,943 S *	7/1987	Irby	.....	D12/218
D492,225 S *	6/2004	Savage	.....	D12/126

**OTHER PUBLICATIONS**

J & P Cycles 2009 Parts and Accessories for your Harley-Davidson® Motorcycle. Master Cylinder Covers on pp. 666 and 668.\*

\* cited by examiner

*Primary Examiner* — Susan M Lee

*Assistant Examiner* — Linda G. Brooks

(74) *Attorney, Agent, or Firm* — Michael Best & Friedrich LLP

(57) **CLAIM**

We claim the ornamental design for a brake reservoir cover, as shown and described.

**DESCRIPTION**

FIG. 1 is a perspective view of a brake reservoir cover.

FIG. 2 is a front view of the brake reservoir cover shown in FIG. 1.

FIG. 3 is a rear view of the brake reservoir cover shown in FIG. 1.

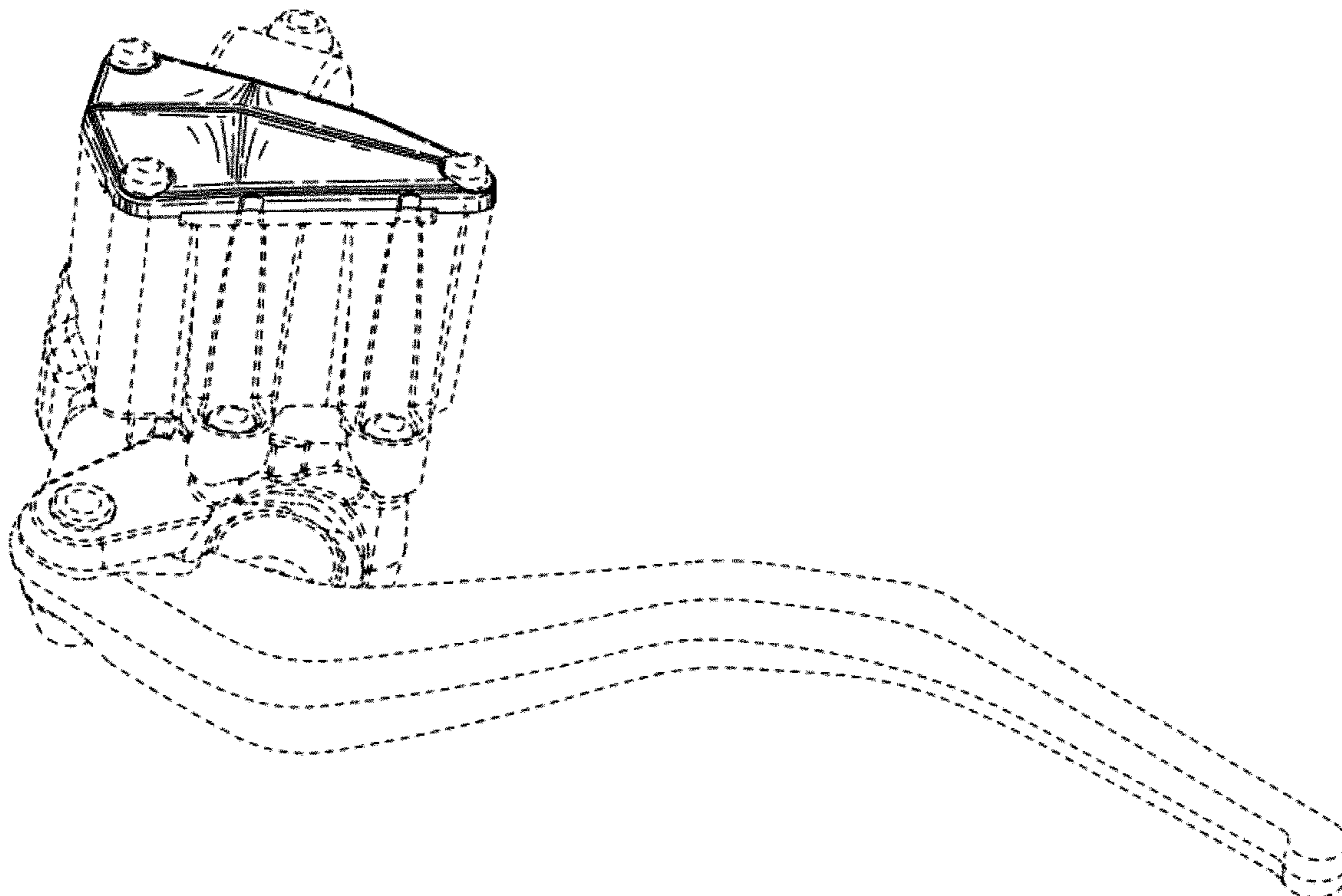
FIG. 4 is a right side view of the brake reservoir cover shown in FIG. 1.

FIG. 5 is a left side view of the brake reservoir cover shown in FIG. 1; and,

FIG. 6 is a top view of the brake reservoir cover shown in FIG. 1.

The broken line showing of the environment is for illustrative purposes only and forms no part of the claimed designs. The bottom view of the brake reservoir cover is not visible in its normal and intended use, and thus that view has been omitted.

**1 Claim, 5 Drawing Sheets**



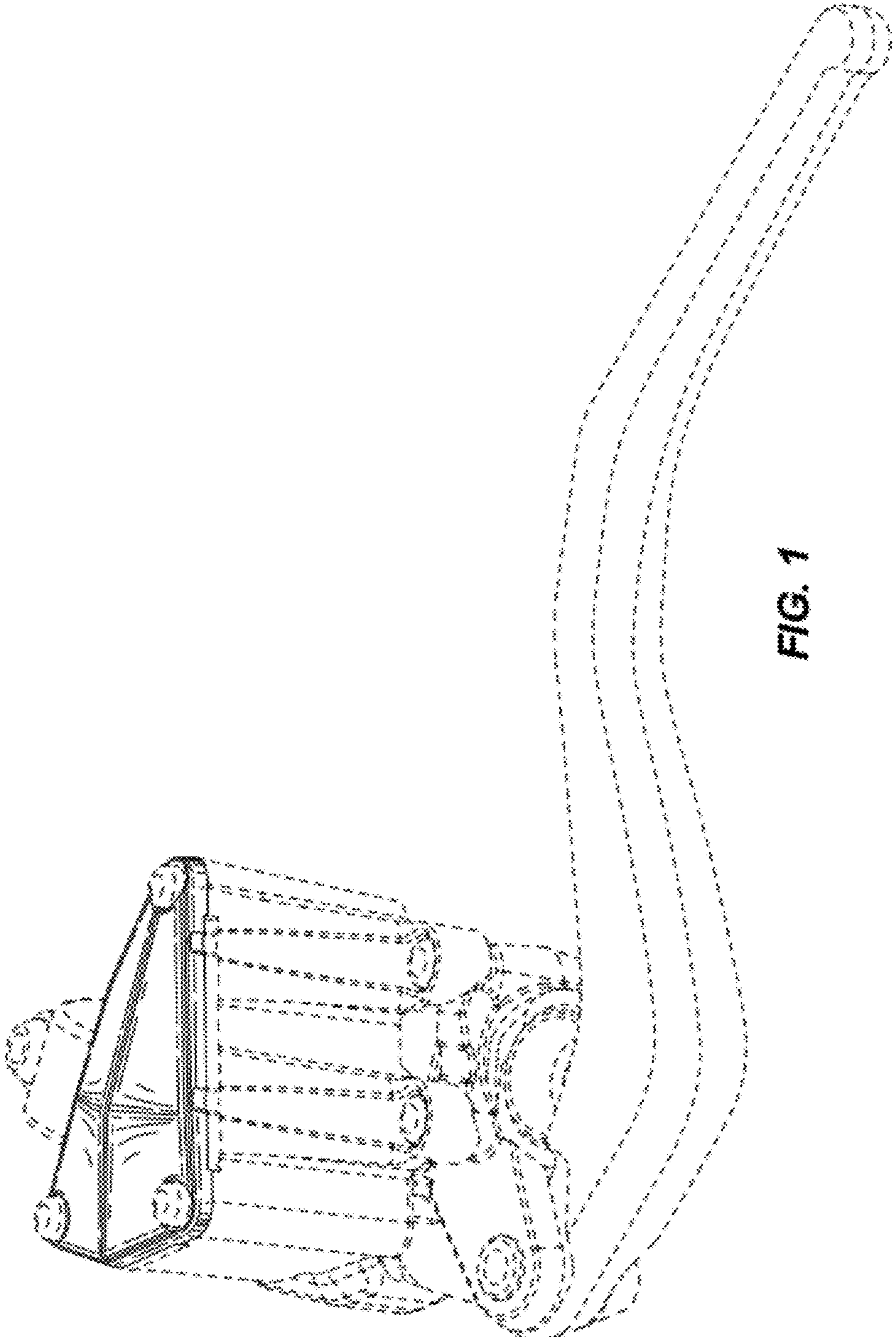


FIG. 1

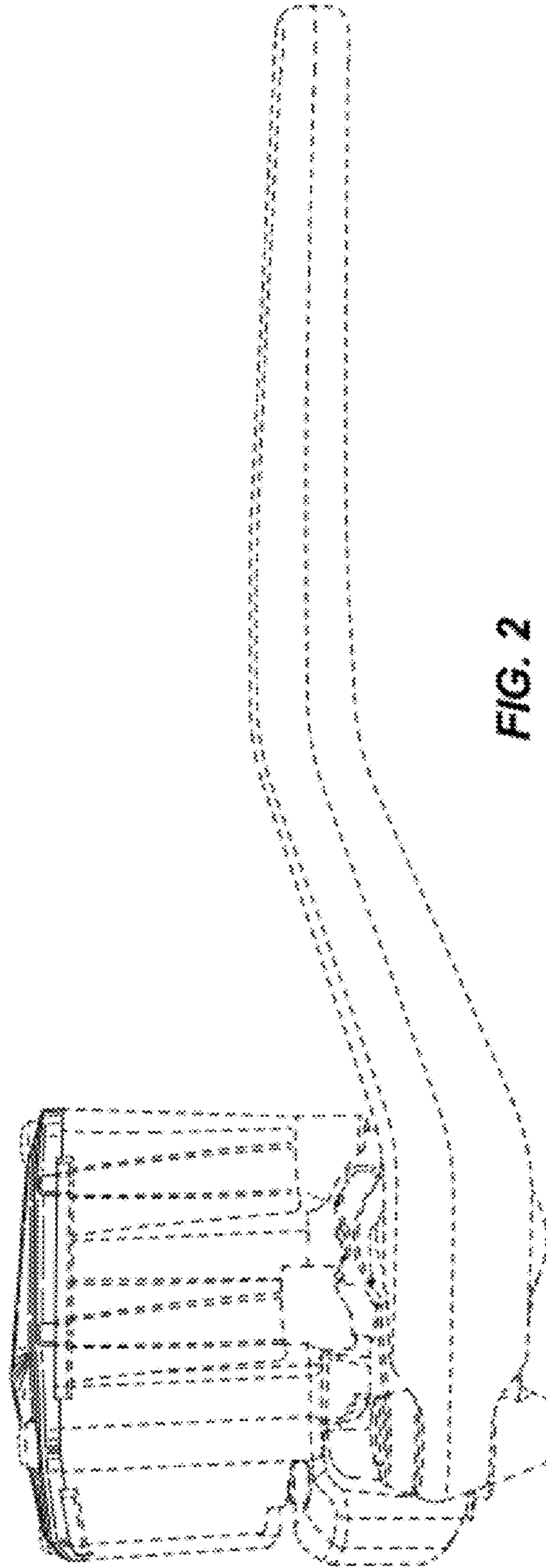


FIG. 2

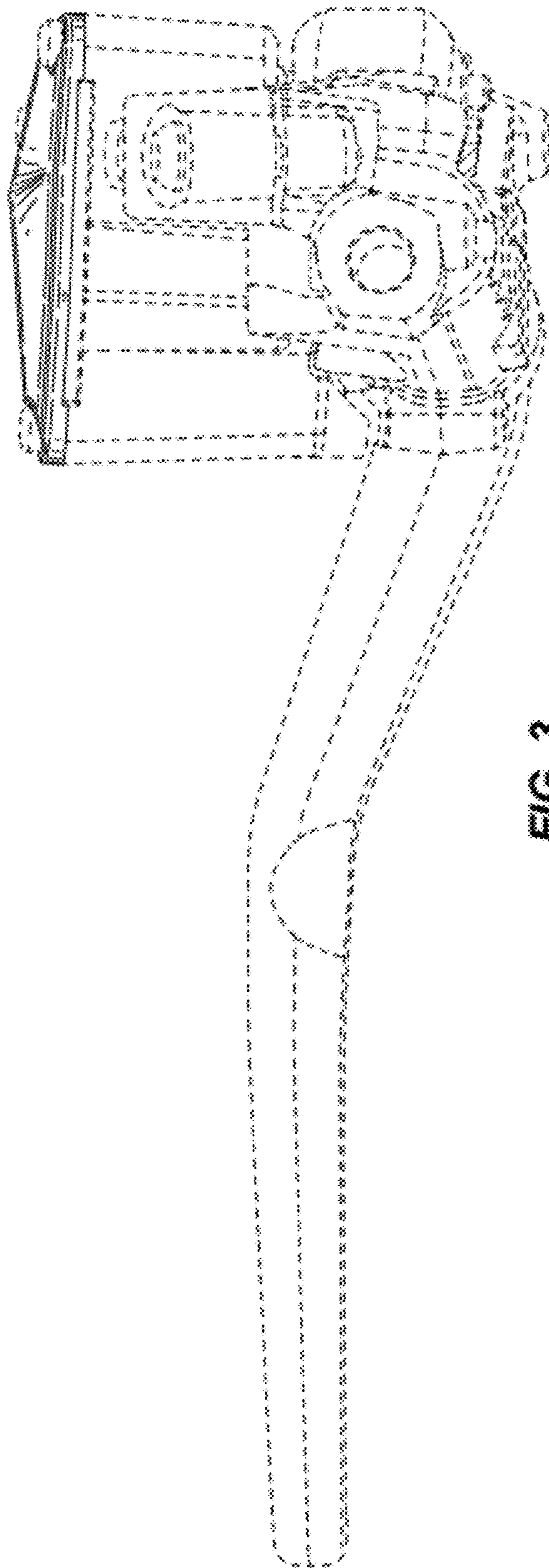
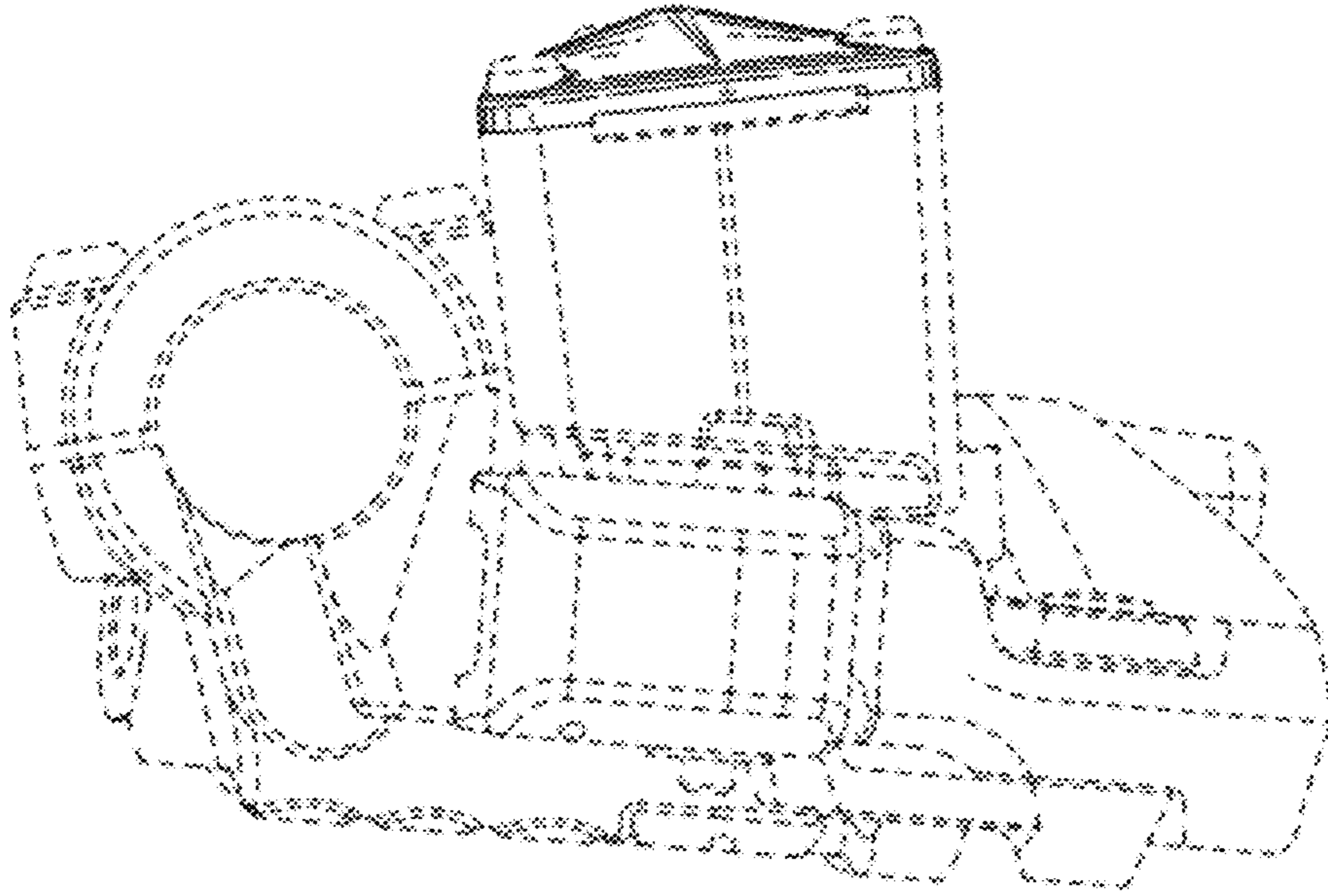
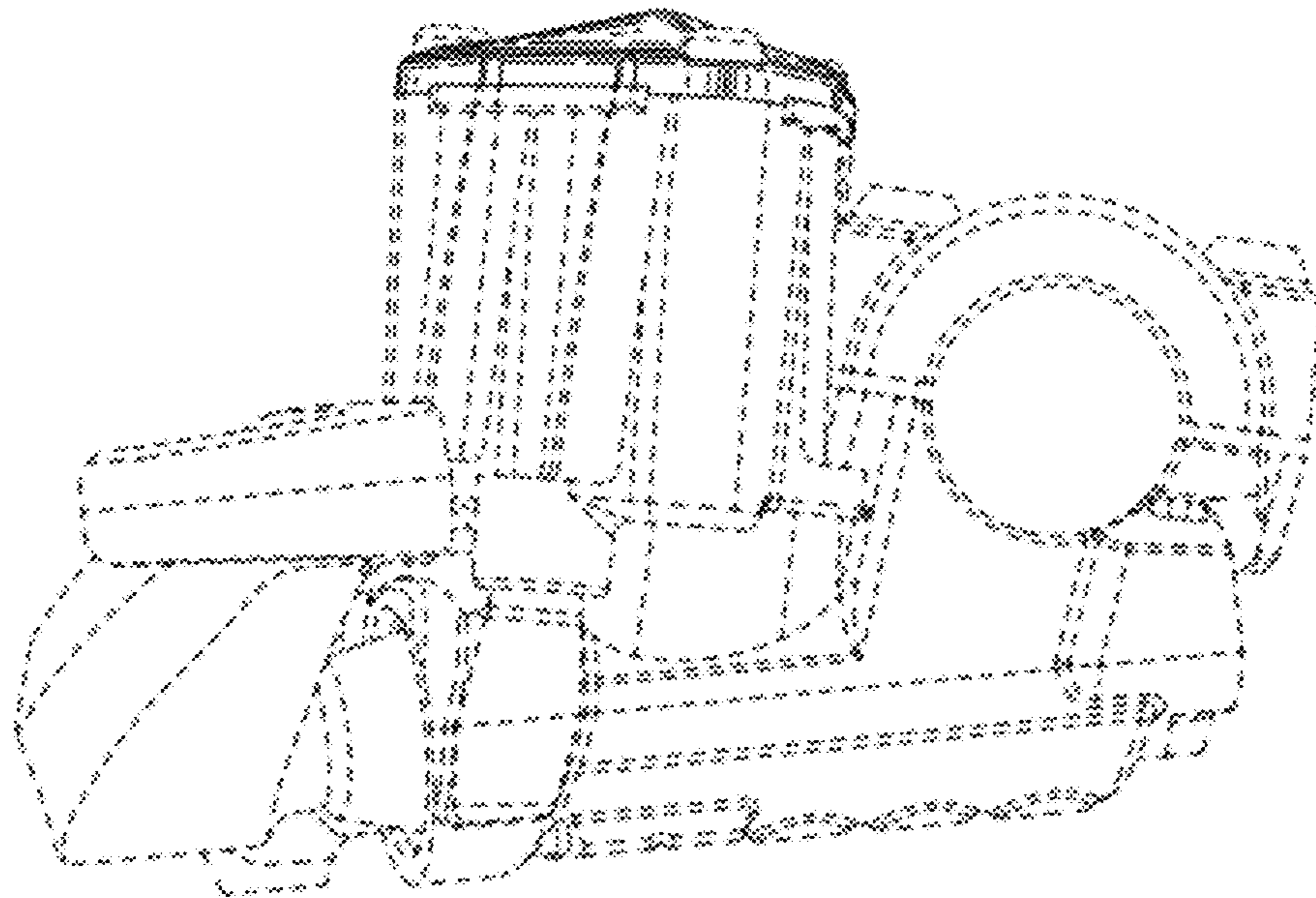


FIG. 3



**FIG. 4**



**FIG. 5**

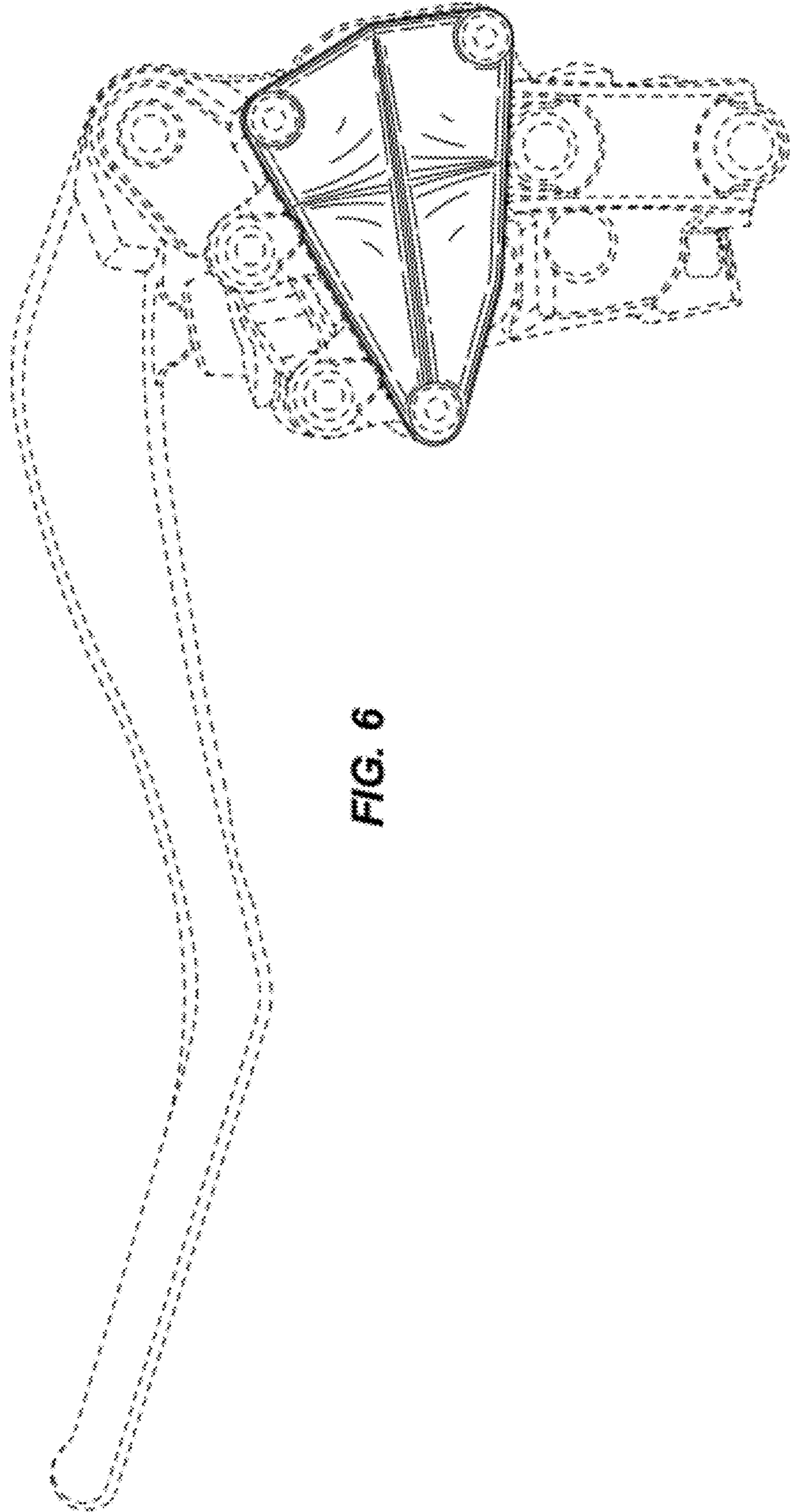


FIG. 6