



US00D656431S

(12) **United States Design Patent**
Bekker

(10) **Patent No.:** **US D656,431 S**
(45) **Date of Patent:** **** Mar. 27, 2012**

(54) **STRIP OF SNAPS**

(75) Inventor: **Alexander Bekker**, Sherman Oaks, CA (US)

(73) Assignee: **Precision Dynamics Corporation**, San Fernando, CA (US)

(**) Term: **14 Years**

(21) Appl. No.: **29/359,123**

(22) Filed: **Apr. 6, 2010**

(51) **LOC (9) Cl.** **02-07**

(52) **U.S. Cl.** **D11/220; D20/22**

(58) **Field of Classification Search** D11/80, D11/200-220, 231, 5, 100, 3; D20/10, 11, D20/22-28, 43, 99; 40/5, 124.01, 299.01, 40/306, 316, 446, 625-629, 642.02, 649, 40/651, 655, 660-662, 672; D30/155; D9/423; 24/303, 35, 201, 66.1; D8/382, 395; 206/38, 206/265; D3/318, 207; 21/753

See application file for complete search history.

(56) **References Cited**

U.S. PATENT DOCUMENTS

D246,591 S *	12/1977	Sollazzi	D3/318
D263,764 S *	4/1982	McBride, II	D30/155
D291,897 S *	9/1987	Flies	D20/22
D315,118 S *	3/1991	Davison et al.	D11/100
D318,704 S *	7/1991	Cevert	D21/753
D321,913 S *	11/1991	Wolff	D20/27
D325,400 S *	4/1992	Wolff	D20/42
D342,098 S *	12/1993	Wolff	D20/27
D346,827 S *	5/1994	Wolff	D20/22
D349,864 S *	8/1994	Dunlap et al.	D11/3
5,379,888 A *	1/1995	Rentos	206/265
D358,615 S *	5/1995	Cline	D20/22
D359,390 S *	6/1995	Friend	D3/207
D365,371 S *	12/1995	Dunlap	D20/28
D378,221 S *	2/1997	Issler	D20/22
D384,444 S *	9/1997	Andrews	D30/155
D384,701 S *	10/1997	Wolff	D20/24
D386,301 S *	11/1997	Wolff	D3/247
D390,275 S *	2/1998	Wolff	D20/22

D392,684 S *	3/1998	Wolff	D20/24
D403,708 S *	1/1999	Wolff	D20/25
D410,412 S *	6/1999	Tominaga et al.	D11/220
D411,953 S *	7/1999	Wolff	D9/423
D415,717 S *	10/1999	Akashi	D11/220
D431,014 S *	9/2000	Akashi et al.	D11/220
D431,208 S *	9/2000	Akashi et al.	D11/220
D432,939 S *	10/2000	Hooglander	D11/80
6,155,409 A *	12/2000	Hettinger	206/38
D438,490 S *	3/2001	Akashi et al.	D11/220
D438,908 S *	3/2001	Najmi	D20/28
D438,909 S *	3/2001	Najmi	D20/28
D441,318 S *	5/2001	Akashi et al.	D11/220
D453,193 S *	1/2002	Isaacs et al.	D20/22

(Continued)

Primary Examiner — T. Chase Nelson

Assistant Examiner — Mark Cavanna

(74) *Attorney, Agent, or Firm* — Kelly & Kelley, LLP

(57) **CLAIM**

The ornamental design for a strip of snaps, as shown and described.

DESCRIPTION

FIG. 1 is a top perspective view of a strip of snaps showing my new design;

FIG. 2 is a perspective view of two snaps, removed from the strip of snaps, and shown in condition of use attached to a wristband on a wearer's arm;

FIG. 3 is a top perspective enlarged view of a single snap, removed from the strip of snaps, and shown separately for clarity of illustration;

FIG. 4 is a bottom perspective view thereof;

FIG. 5 is a top plan view thereof;

FIG. 6 is a bottom plan view thereof;

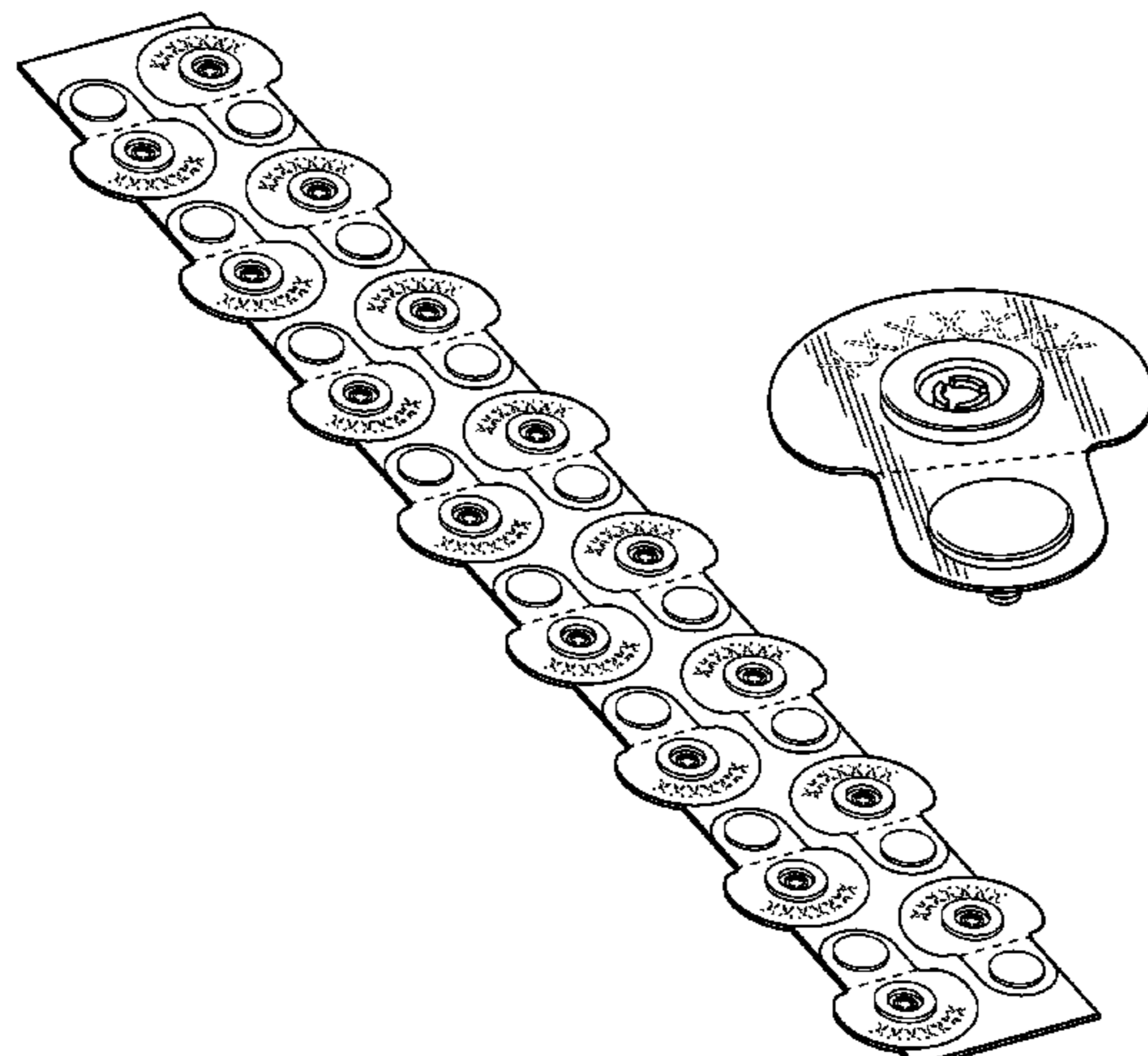
FIG. 7 is a left-side elevational view thereof, the right-side elevational view being a mirror image;

FIG. 8 is a front elevational view thereof; and,

FIG. 9 is a rear elevational view thereof.

The broken lines showing indicia, a wristband, and a wearer's arm are included for the purpose of illustrating environment that forms no part of the claimed design.

1 Claim, 2 Drawing Sheets



US D656,431 S

Page 2

U.S. PATENT DOCUMENTS

D473,158 S *	4/2003	Matsui et al.	D11/220	D487,567 S *	3/2004	Matsui et al.	D11/220
D473,159 S *	4/2003	Matsui et al.	D11/220	D489,292 S *	5/2004	Matsui et al.	D11/220
D477,246 S *	7/2003	Takeda	D11/220	D598,319 S *	8/2009	Joseph	D11/5
D481,331 S *	10/2003	Matsui	D11/220	D631,737 S *	2/2011	Haas	D8/395
D481,654 S *	11/2003	Matsui et al.	D11/220	D631,738 S *	2/2011	Haas	D8/395
D482,298 S *	11/2003	Matsui et al.	D11/220	D636,819 S *	4/2011	Walker	D20/28

* cited by examiner

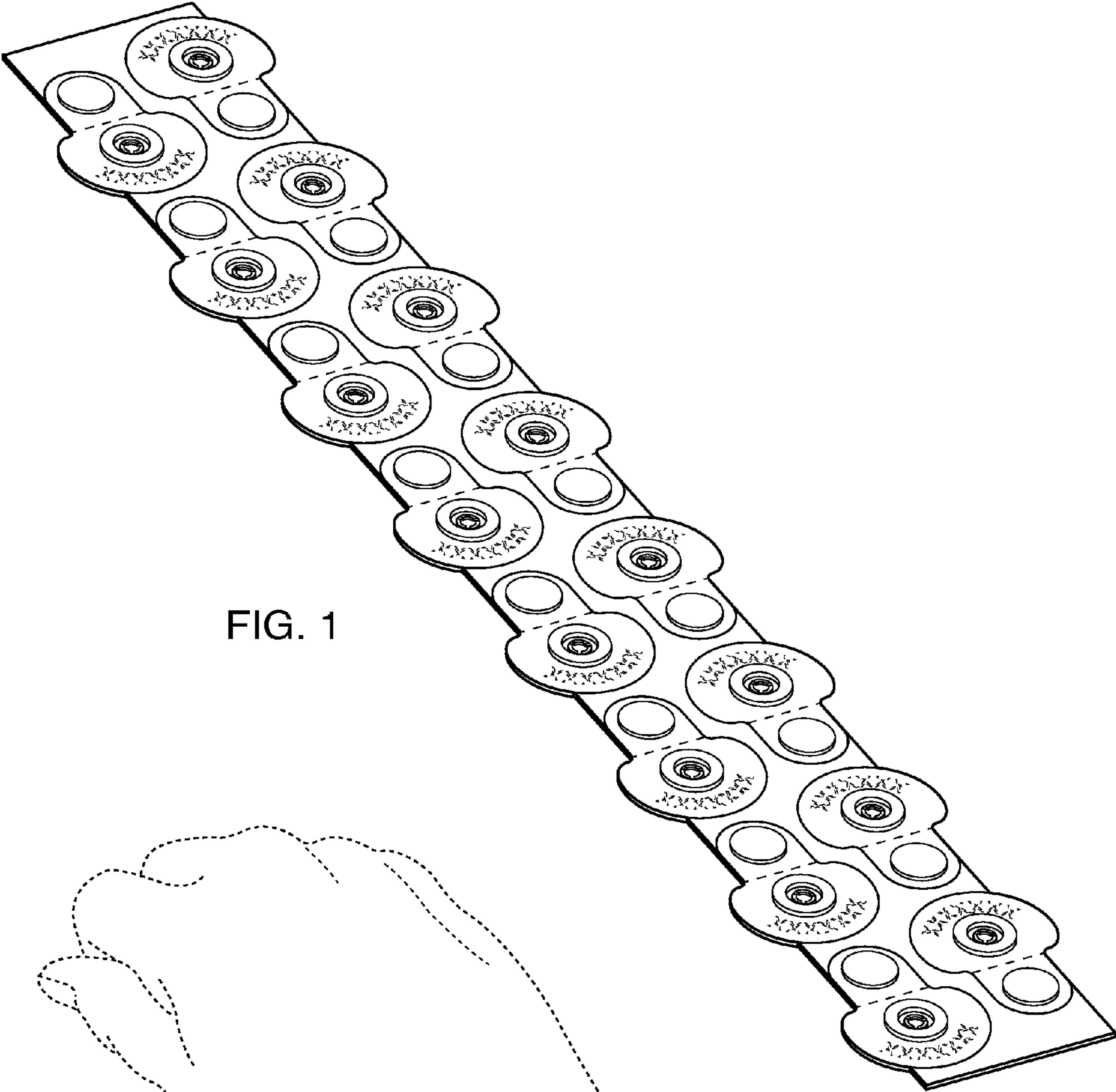


FIG. 1

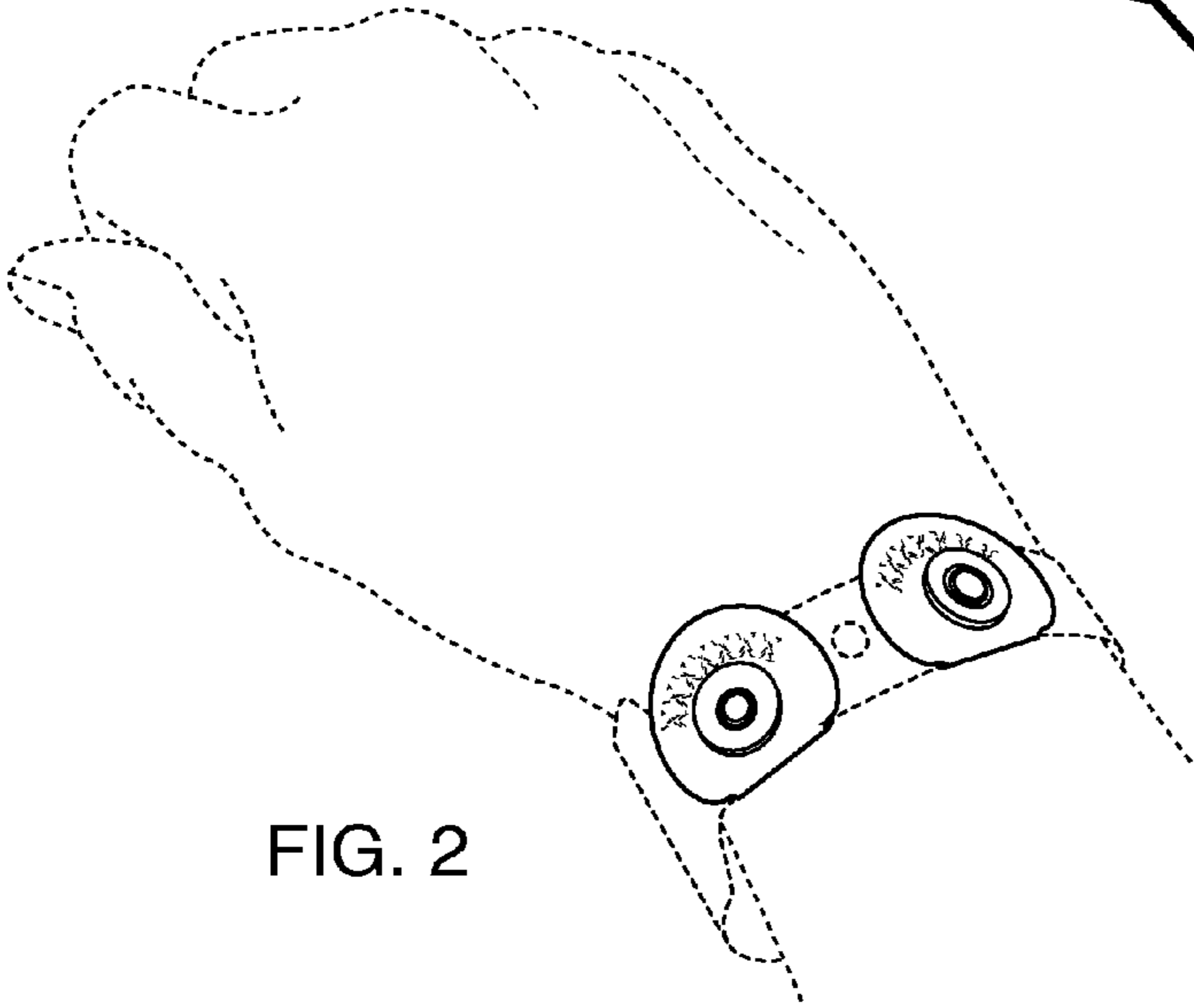


FIG. 2

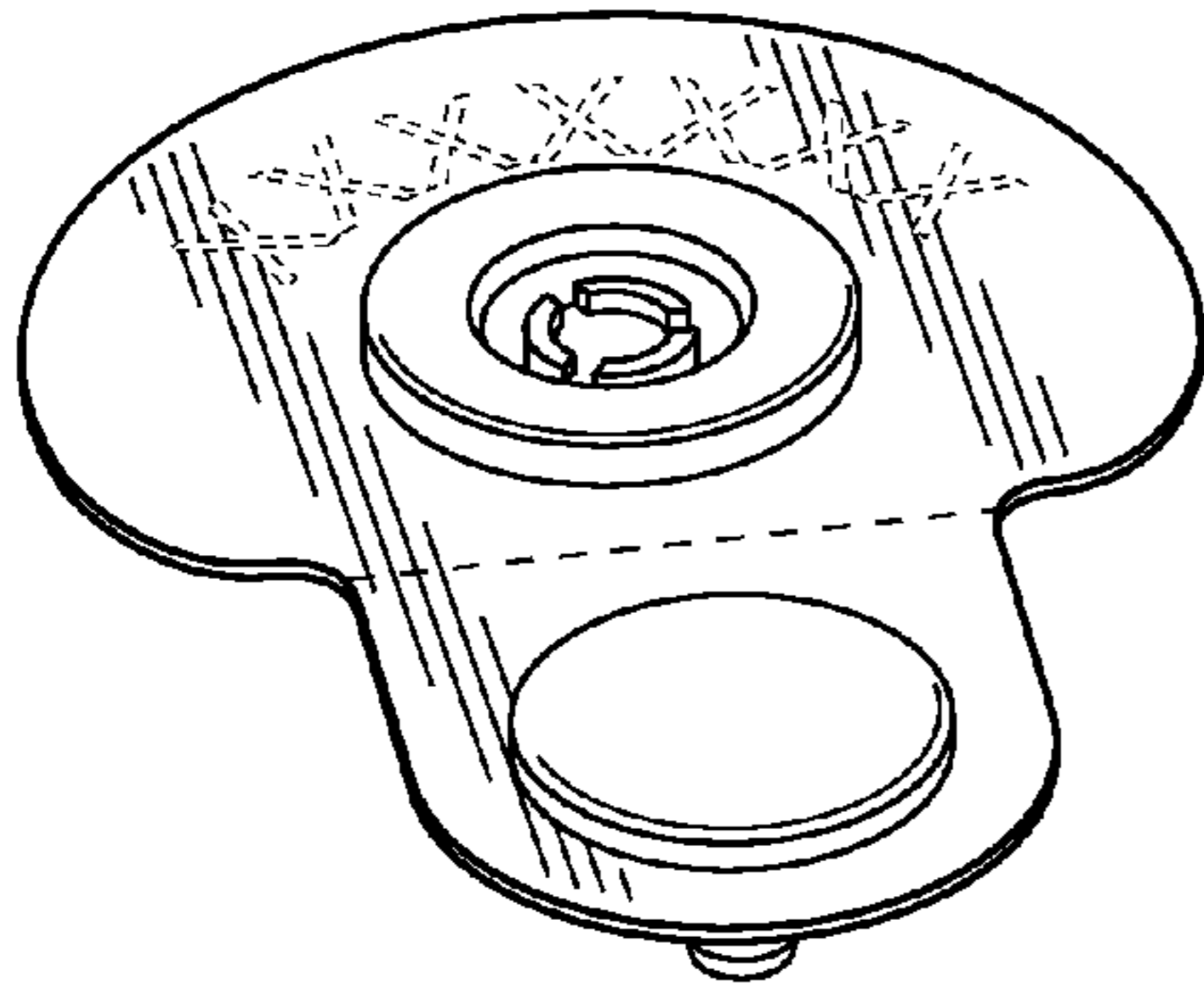


FIG. 3

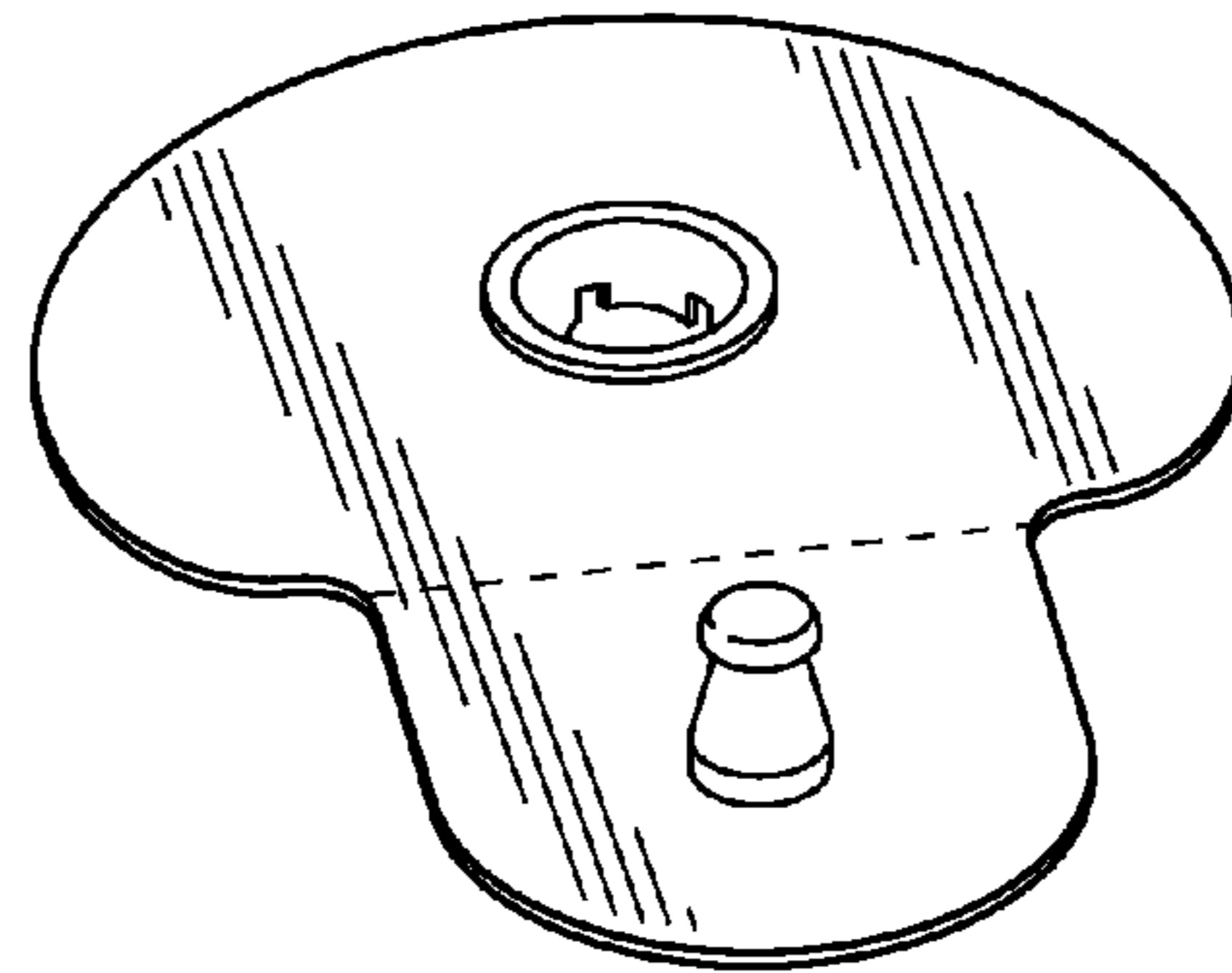


FIG. 4

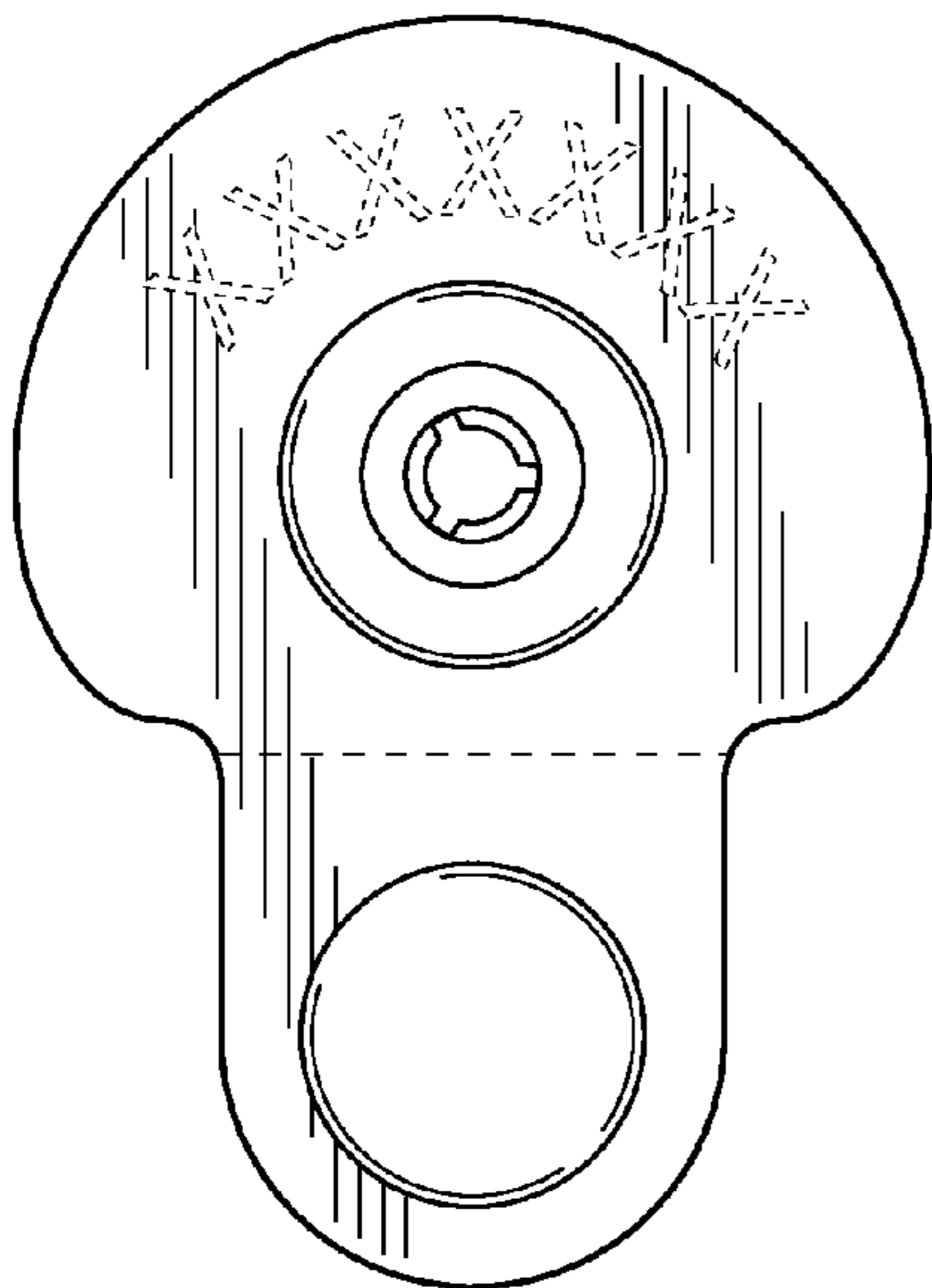


FIG. 5

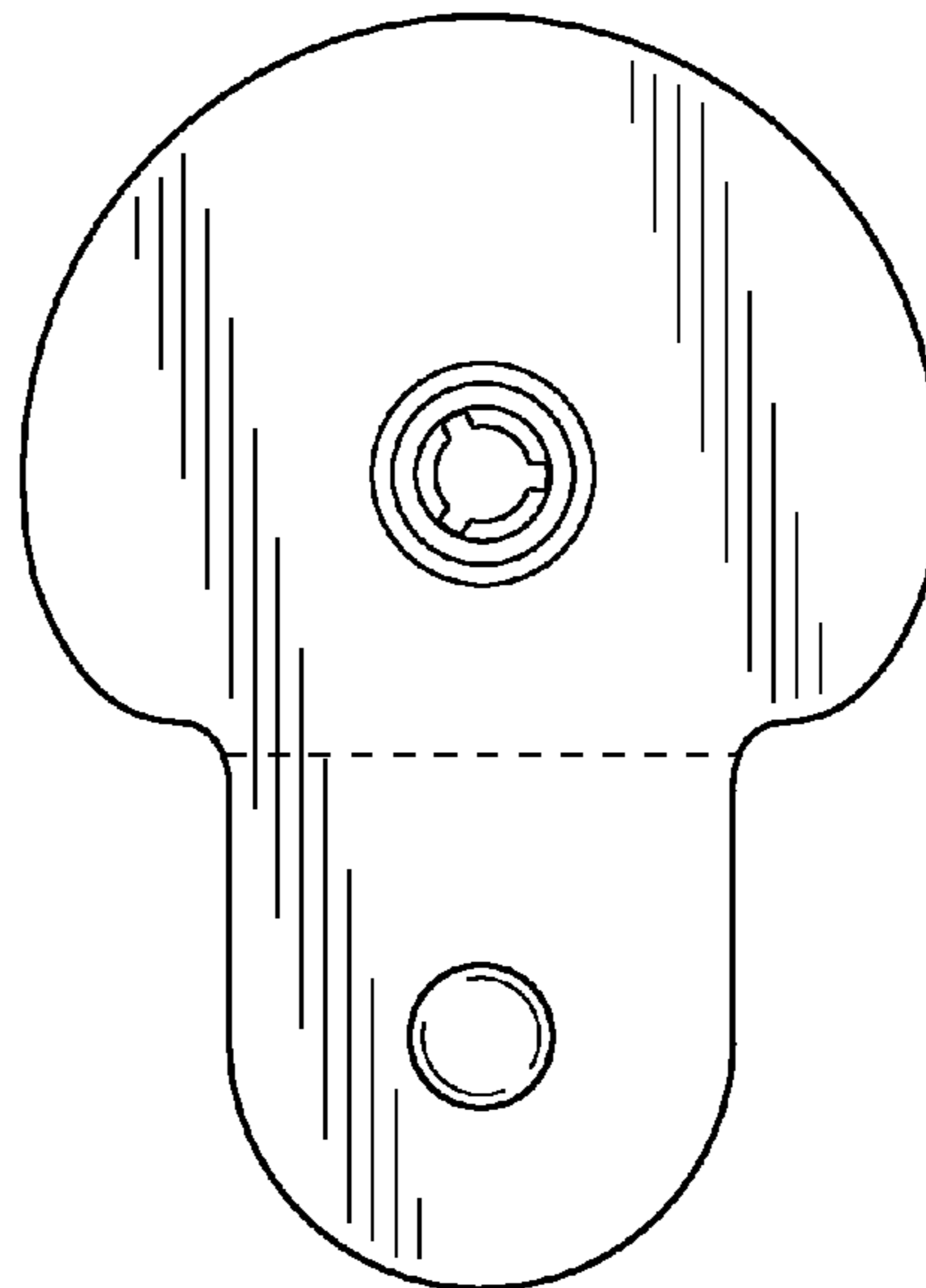


FIG. 6

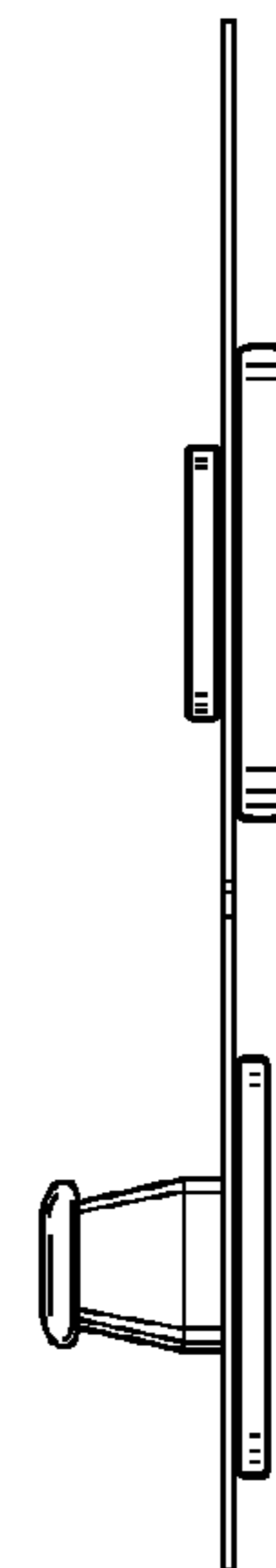


FIG. 7

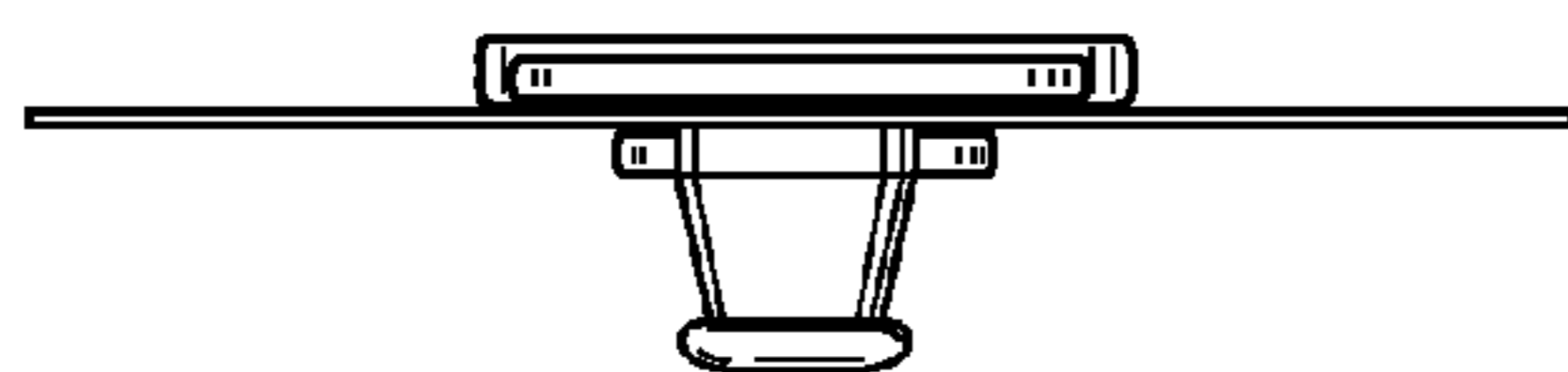


FIG. 8

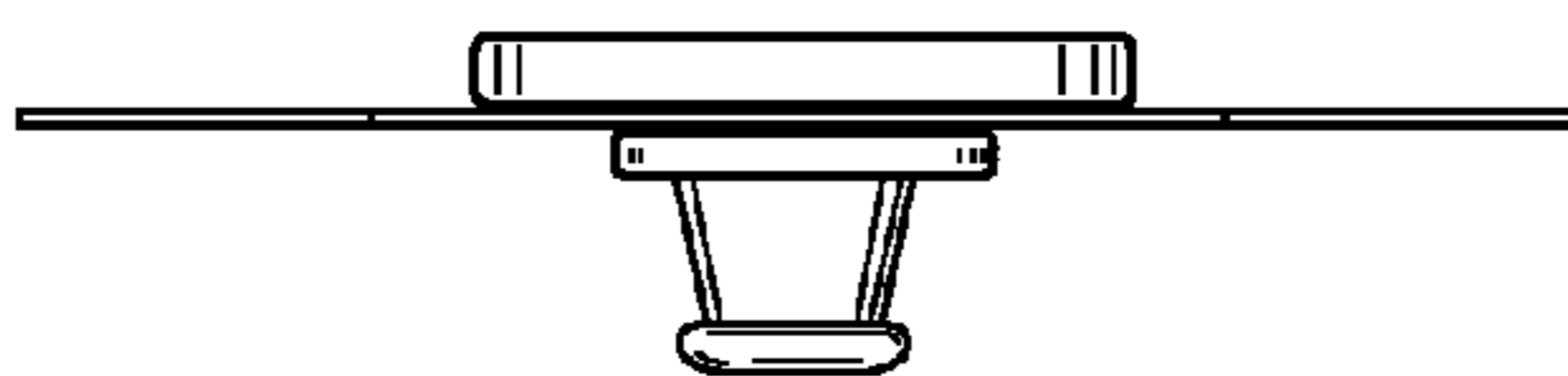


FIG. 9