



US00D656427S

(12) **United States Design Patent**
Depauw et al.

(10) **Patent No.:** **US D656,427 S**
(45) **Date of Patent:** **** Mar. 27, 2012**

(54) **SCALE**

(75) Inventors: **Simon Depauw**, Antwerp (BE); **Tim Ruytjens**, Mortsel (BE); **Stefaan Van Den Broecke**, Ghent (BE); **Yves Peeters**, Langdorp (BE)

(73) Assignee: **Dymo**, Sint-Niklaas (BE)

(**) Term: **14 Years**

(21) Appl. No.: **29/378,140**

(22) Filed: **Oct. 29, 2010**

(30) **Foreign Application Priority Data**

Apr. 30, 2010 (EM) 001212765

(51) **LOC (9) Cl.** **10-04**

(52) **U.S. Cl.** **D10/91**

(58) **Field of Classification Search** D10/88-94;
177/210 R, 210 C, 210 GM, 210 PP, 236,
177/245, DIG. 3, 25.13-25.18, 177, 126,
177/1, 181, 25, 30, 127, 131, 148, 225, 21 EM,
177/21 FP, 212-214, 211; 600/506, 547

See application file for complete search history.

(56) **References Cited**

U.S. PATENT DOCUMENTS

| | | | |
|-------------------|---------|------------------------|-----------|
| D289,744 S * | 5/1987 | Bungener | D10/91 |
| D423,386 S * | 4/2000 | Taylor | D10/91 |
| D423,966 S * | 5/2000 | Gander et al. | D10/91 |
| D458,553 S * | 6/2002 | Dwertmann | D10/91 |
| D531,075 S * | 10/2006 | Vantine | D10/92 |
| D547,217 S * | 7/2007 | Montagnino et al. | D10/91 |
| D596,517 S * | 7/2009 | Kesselman | D10/91 |
| D596,518 S * | 7/2009 | Kesselman | D10/91 |
| 2010/0185483 A1 * | 7/2010 | Collins et al. | 177/25.15 |

* cited by examiner

Primary Examiner — Antoine D Davis

(74) *Attorney, Agent, or Firm* — Marshall, Gerstein & Borun LLP

(57) **CLAIM**

The ornamental design for a scale, as shown and described.

DESCRIPTION

FIG. 1 is an enlarged top plan view showing our new design for a scale;

FIG. 2 is a side perspective view of the scale of FIG. 1;

FIG. 3 is a top plan view of the scale of FIG. 1;

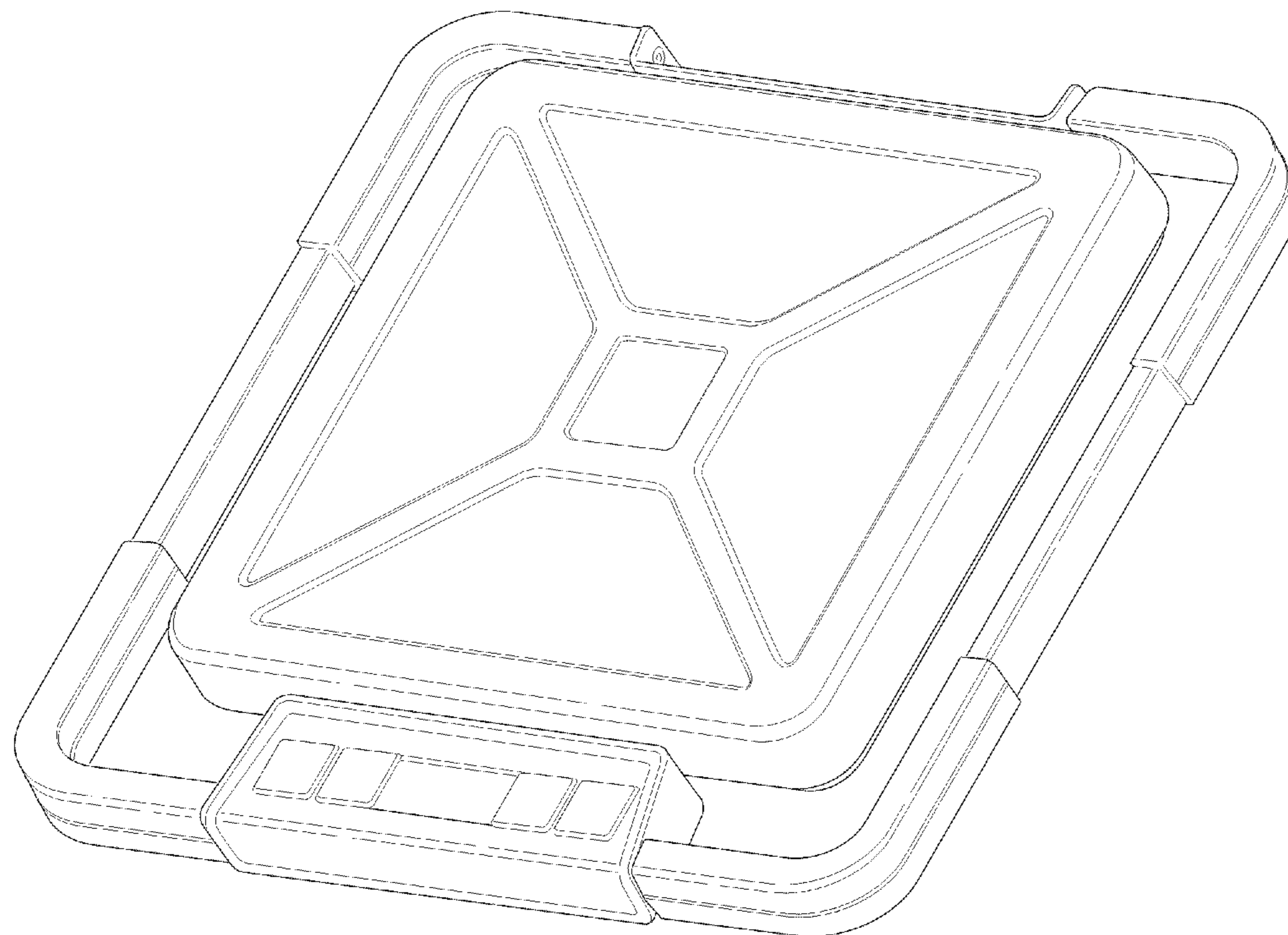
FIG. 4 is a right side view of the scale of FIG. 1;

FIG. 5 is a left side view of the scale of FIG. 1;

FIG. 6 is a front view of the scale of FIG. 1; and,

FIG. 7 is a rear view of the scale of FIG. 1.

1 Claim, 5 Drawing Sheets



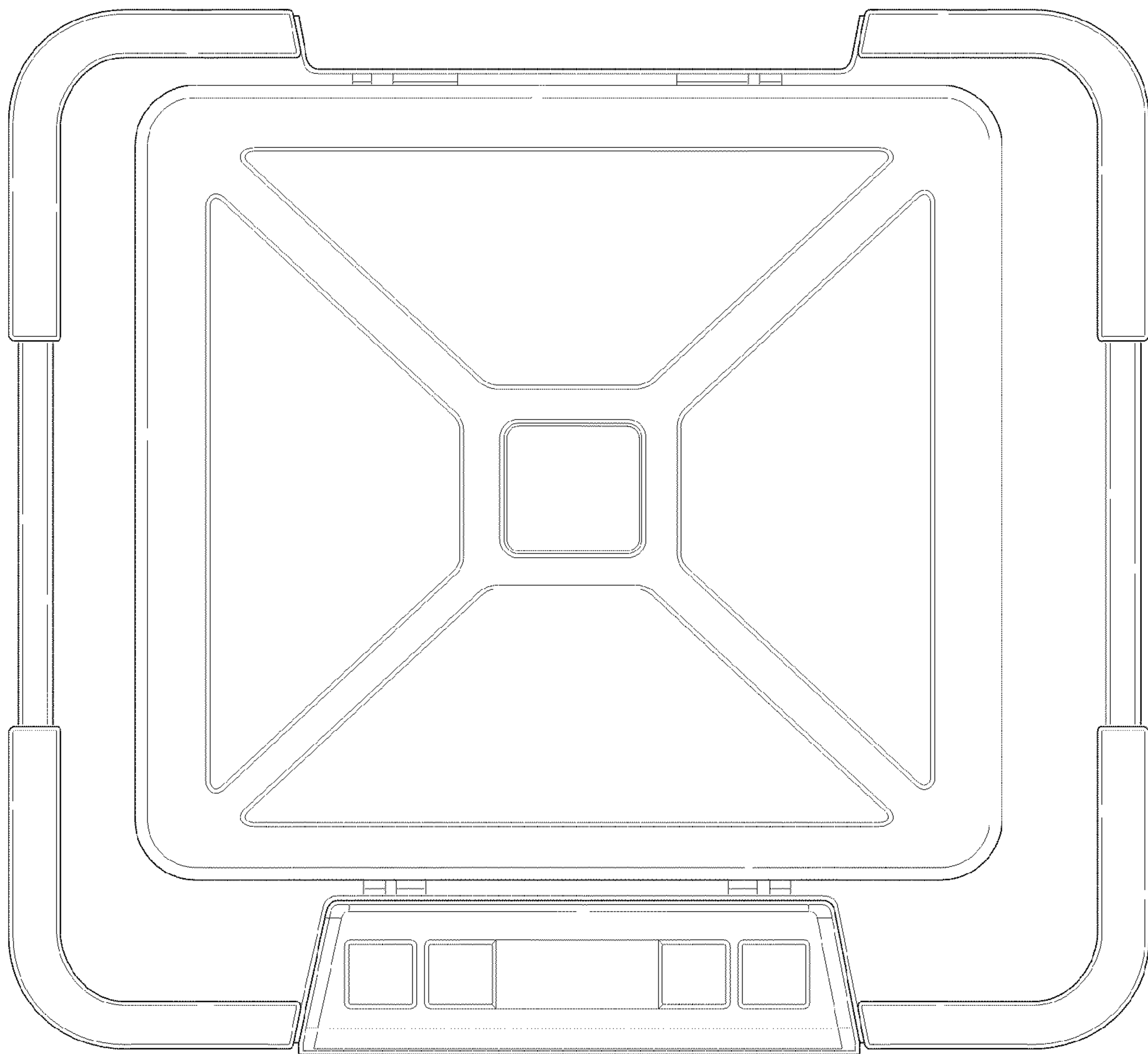


FIG. 1

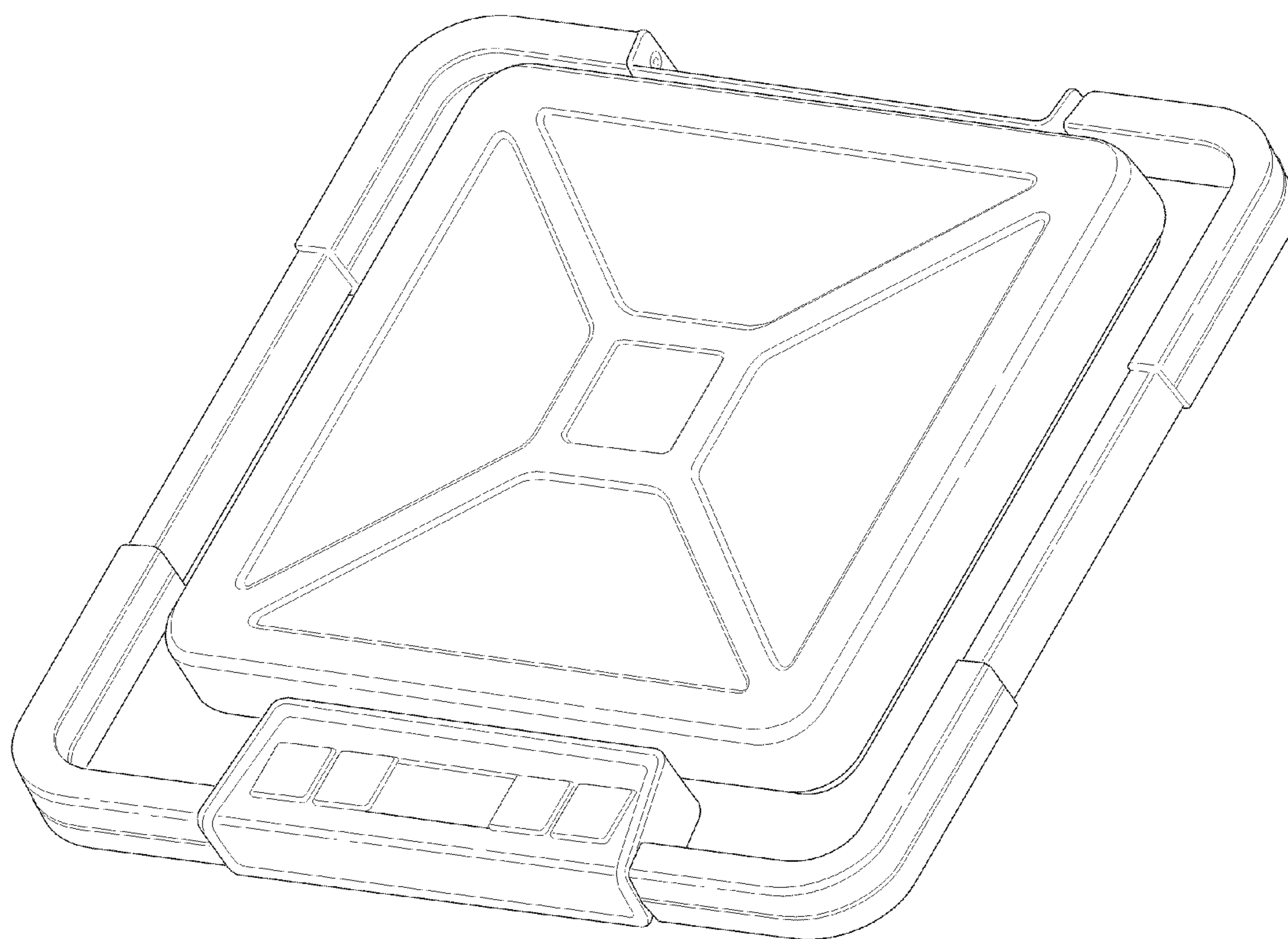


FIG. 2

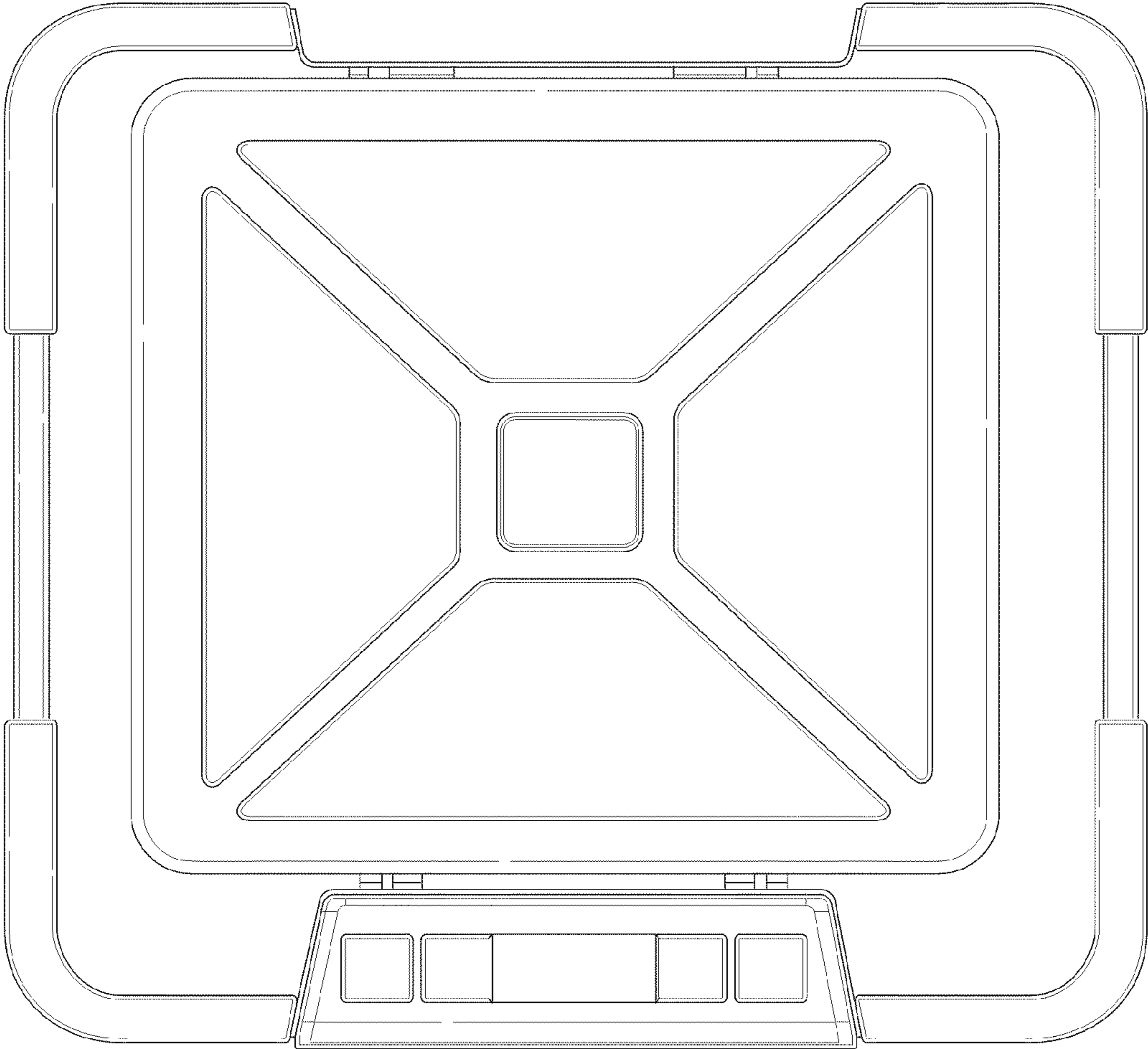


FIG. 3

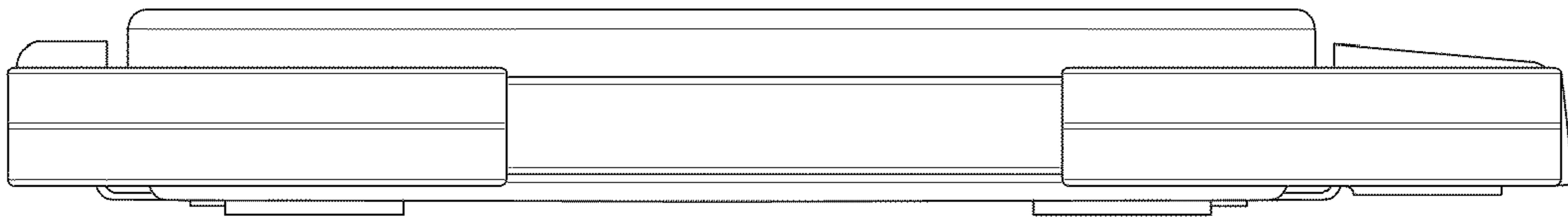


FIG. 4

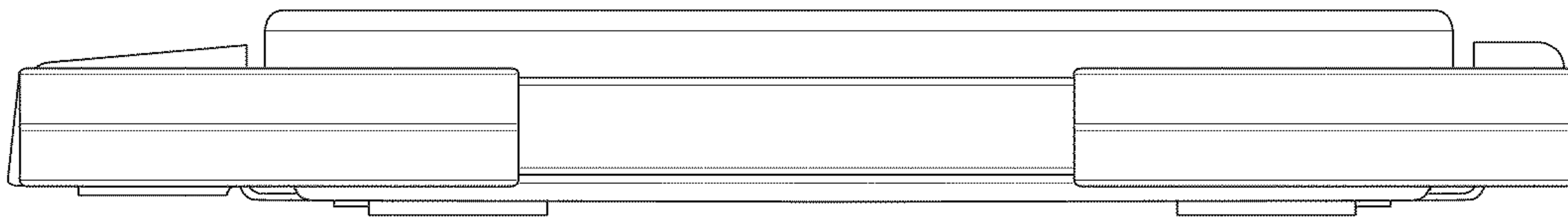


FIG. 5

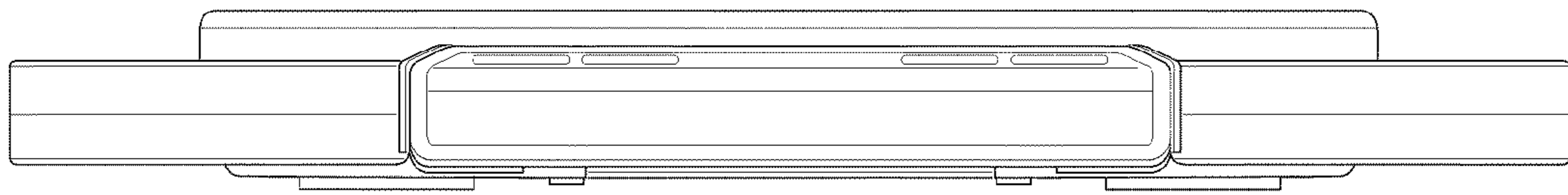


FIG. 6

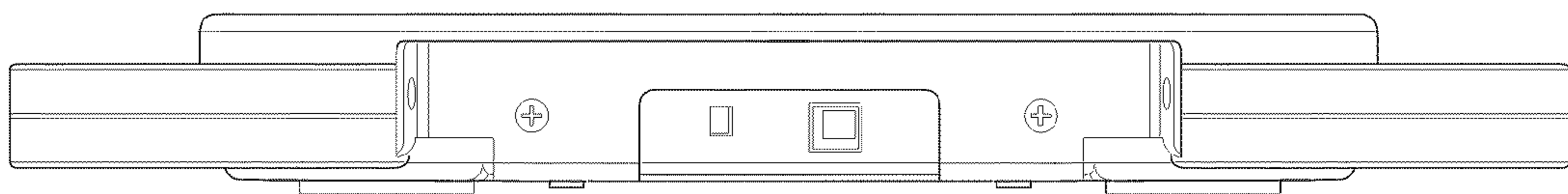


FIG. 7