



US00D656426S

(12) **United States Design Patent**  
**Marcoz**

(10) **Patent No.:** **US D656,426 S**  
(45) **Date of Patent:** **\*\* Mar. 27, 2012**

(54) **CURRENT SENSOR**

(56) **References Cited**

(75) Inventor: **Benjamin Marcoz**, Beaumont (FR)

U.S. PATENT DOCUMENTS

(73) Assignee: **Liaisons Electroniques-Mecaniques**  
**LEM SA**, Plan-les-Ouates (CH)

D353,547 S	*	12/1994	Cattaneo .....	D10/75
D494,078 S	*	8/2004	Vuillermoz .....	D10/75
D505,870 S	*	6/2005	Vuillermoz .....	D10/75
D511,112 S	*	11/2005	Takada .....	D10/75
D600,576 S	*	9/2009	Marcoz .....	D10/79

\* cited by examiner

(\*\*) Term: **14 Years**

*Primary Examiner* — Antoine D Davis

(21) Appl. No.: **29/372,224**

(74) *Attorney, Agent, or Firm* — Faegre Baker Daniels LLP

(22) Filed: **Oct. 29, 2010**

(57) **CLAIM**

The design of the current sensor, as shown and described.

(30) **Foreign Application Priority Data**

**DESCRIPTION**

Apr. 29, 2010 (EM) ..... DM/073 548

(51) **LOC (9) Cl.** ..... **10-04**

(52) **U.S. Cl.** ..... **D10/79; D10/75**

(58) **Field of Classification Search** ..... D10/75,  
D10/78, 79; 324/117 H, 117 R

FIG. 1 is a front perspective view of the current sensor;  
FIG. 2 is a rear perspective view of the current sensor;  
FIG. 3 is a rear view of the current sensor;  
FIG. 4 is a front view of the current sensor;  
FIG. 5 is a right side view of the current sensor;  
FIG. 6 is a left side view of the current sensor;  
FIG. 7 is a lower end view of the current sensor; and,  
FIG. 8 is a top view of the current sensor.

See application file for complete search history.

**1 Claim, 2 Drawing Sheets**

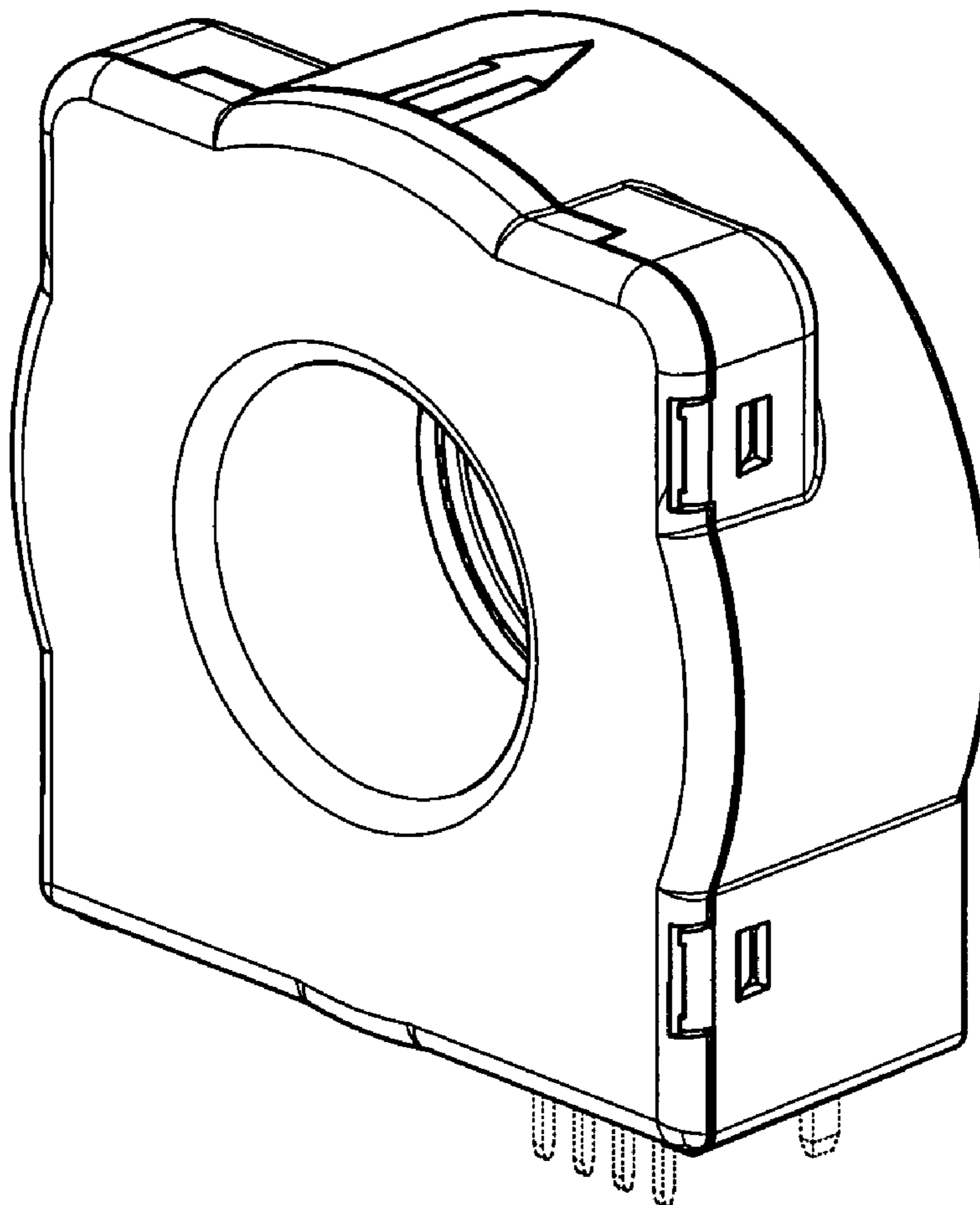


FIG. 1

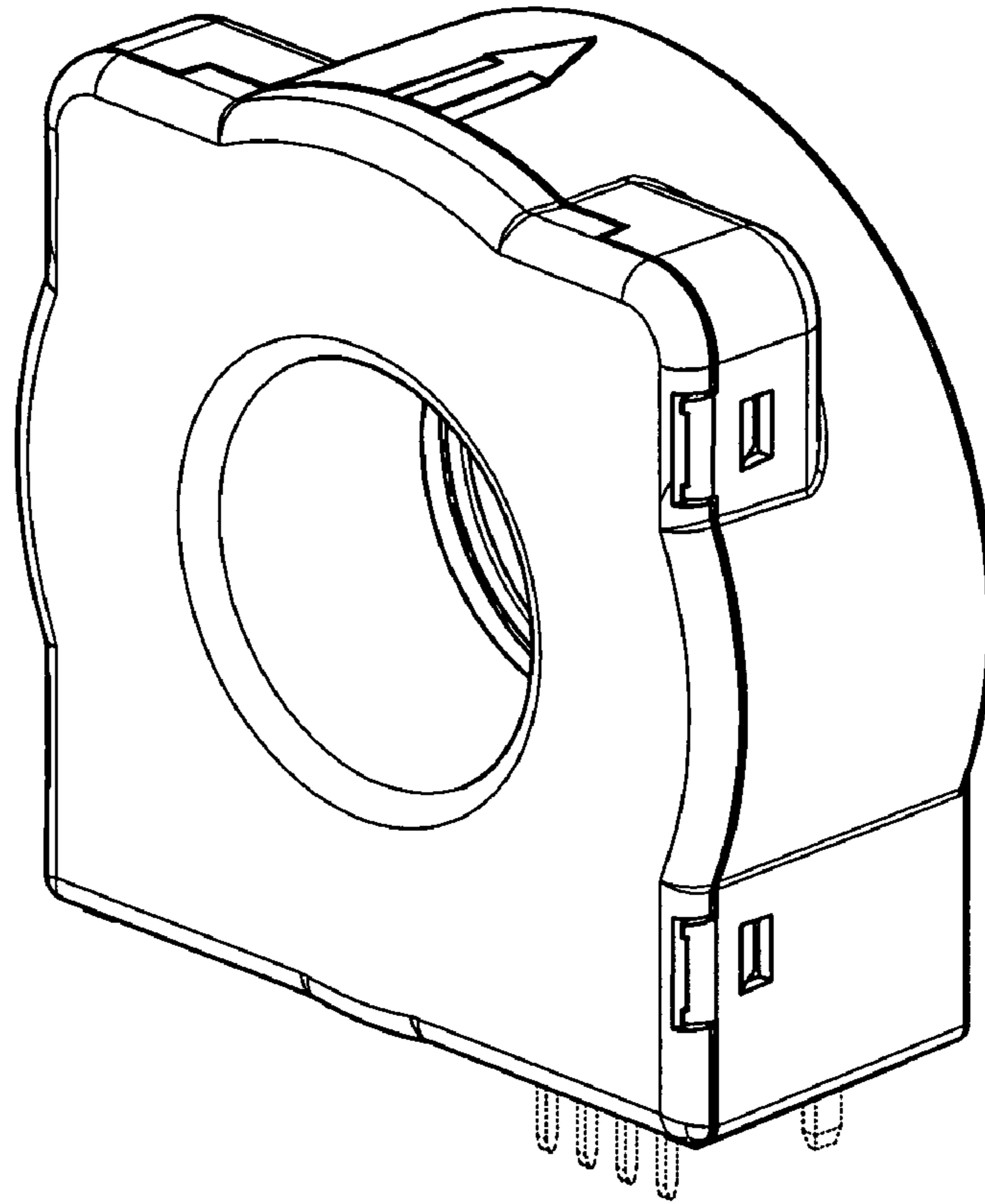


FIG. 2

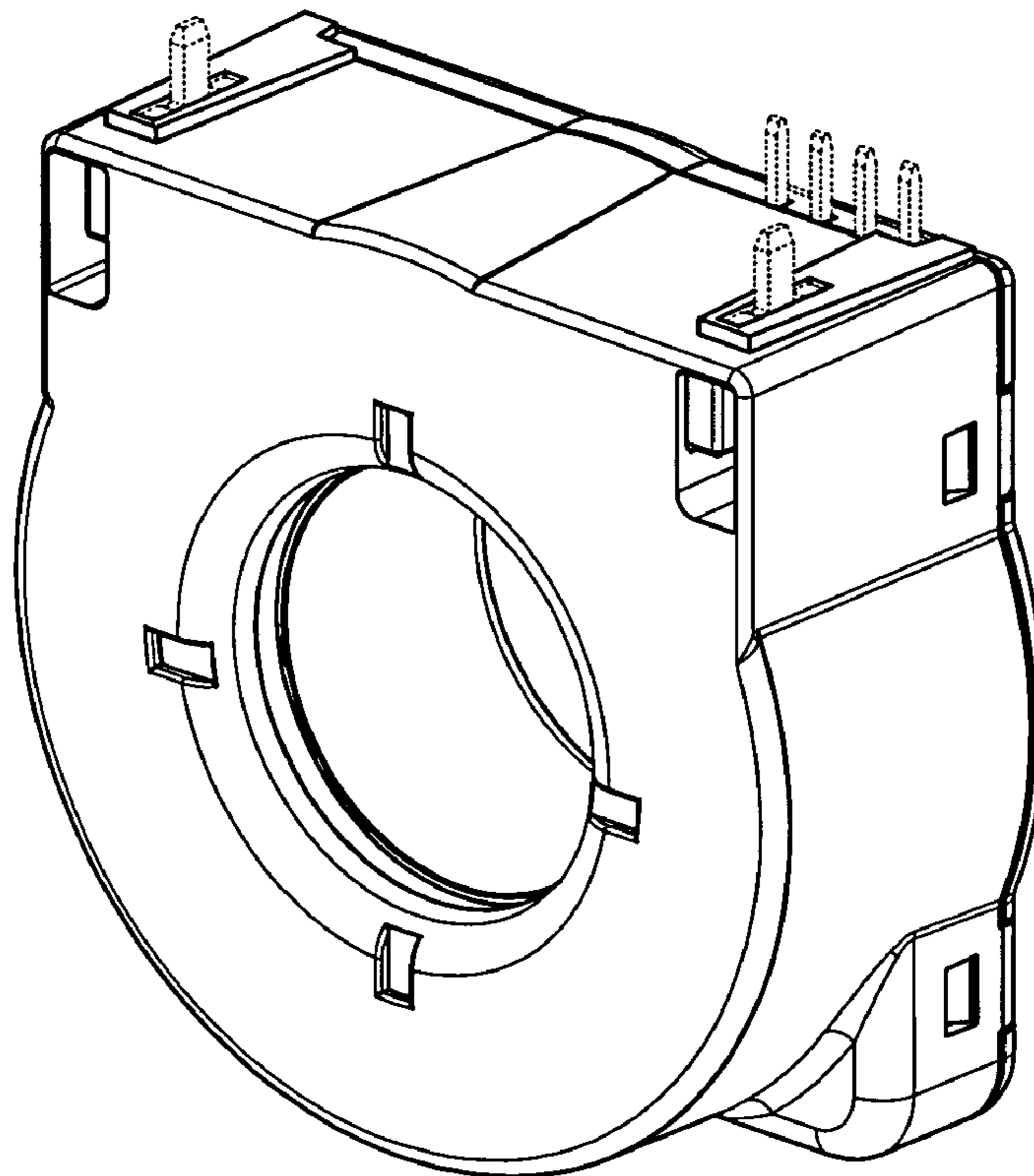


FIG. 3

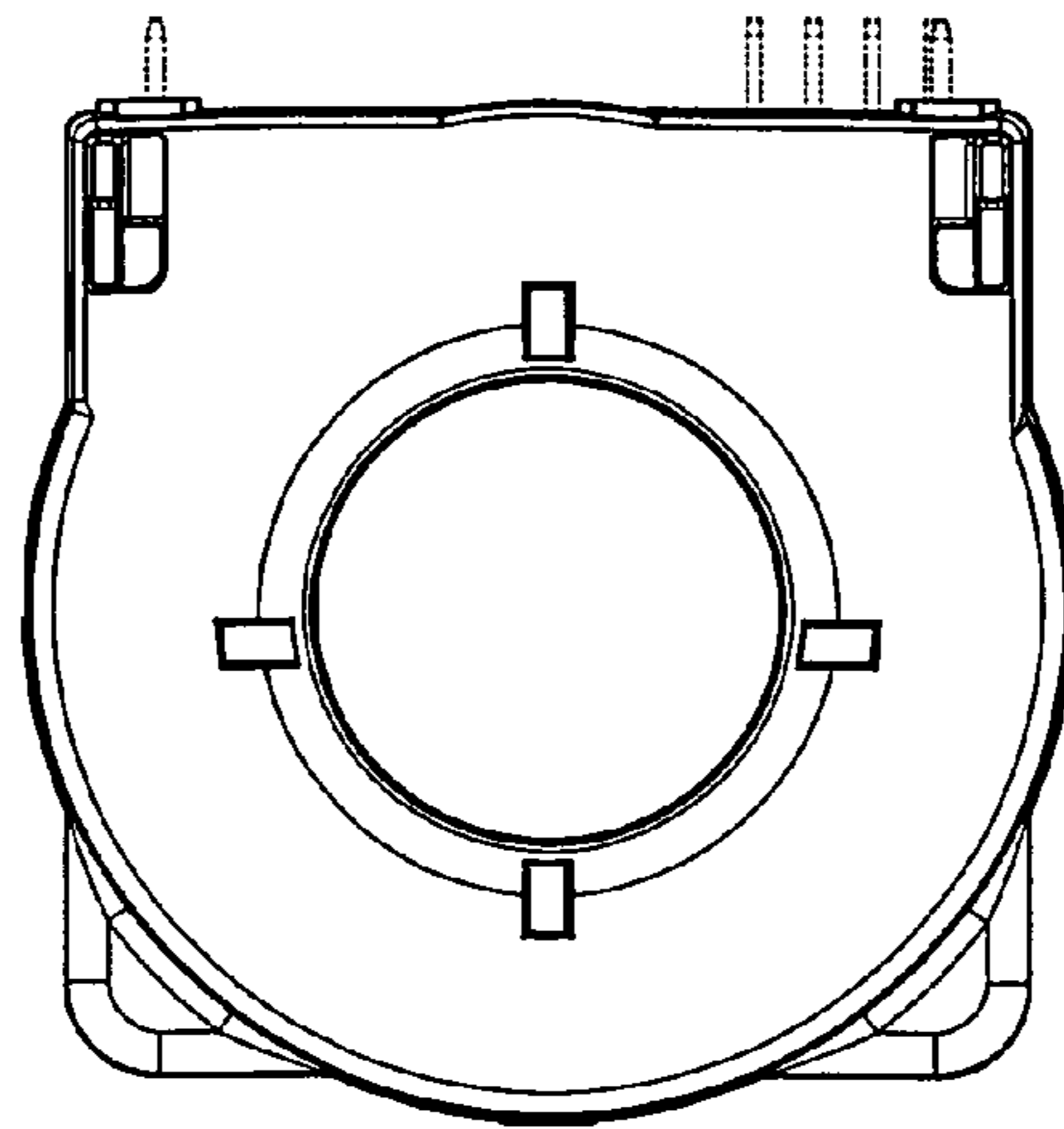


FIG. 7

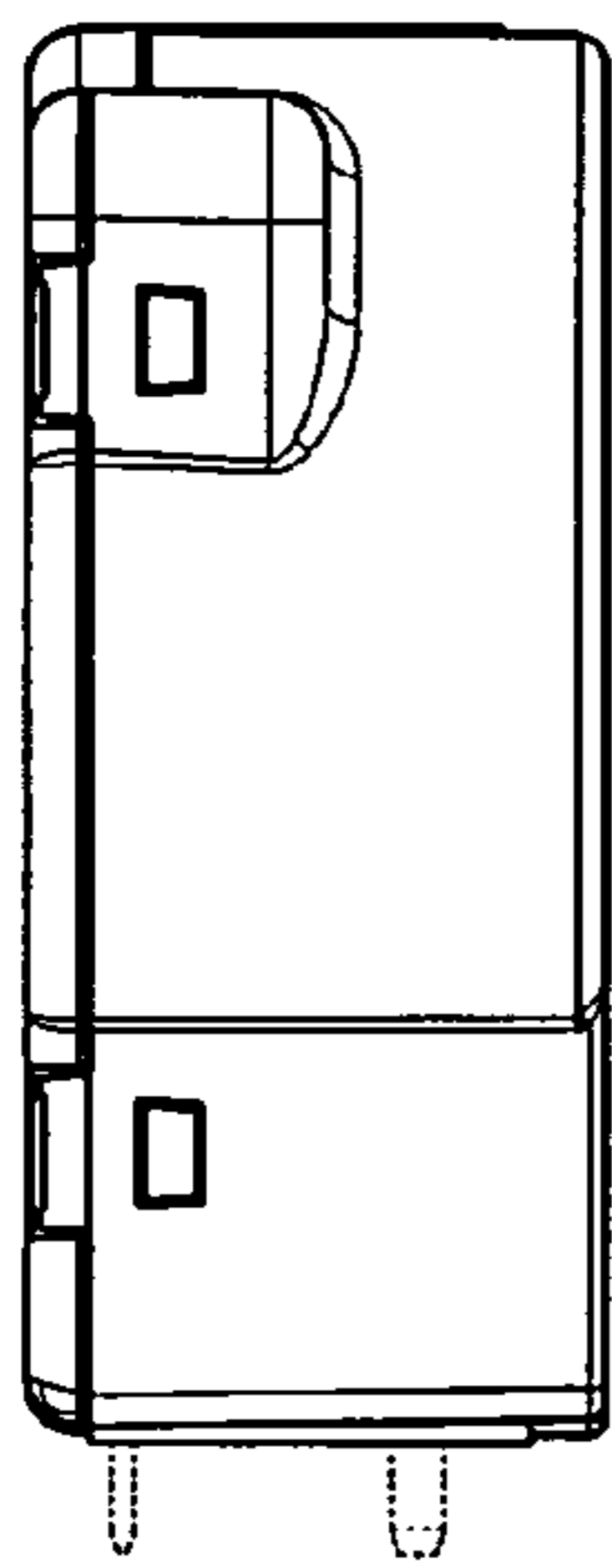
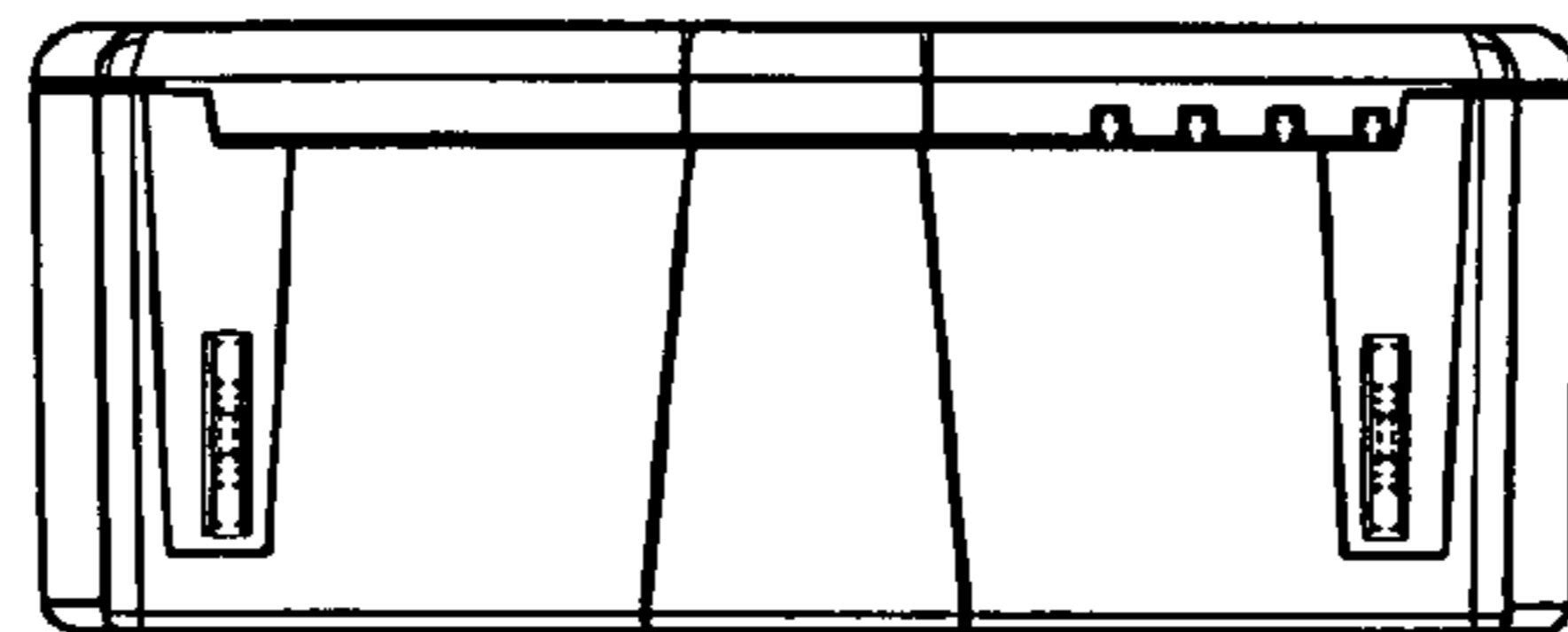


FIG. 5

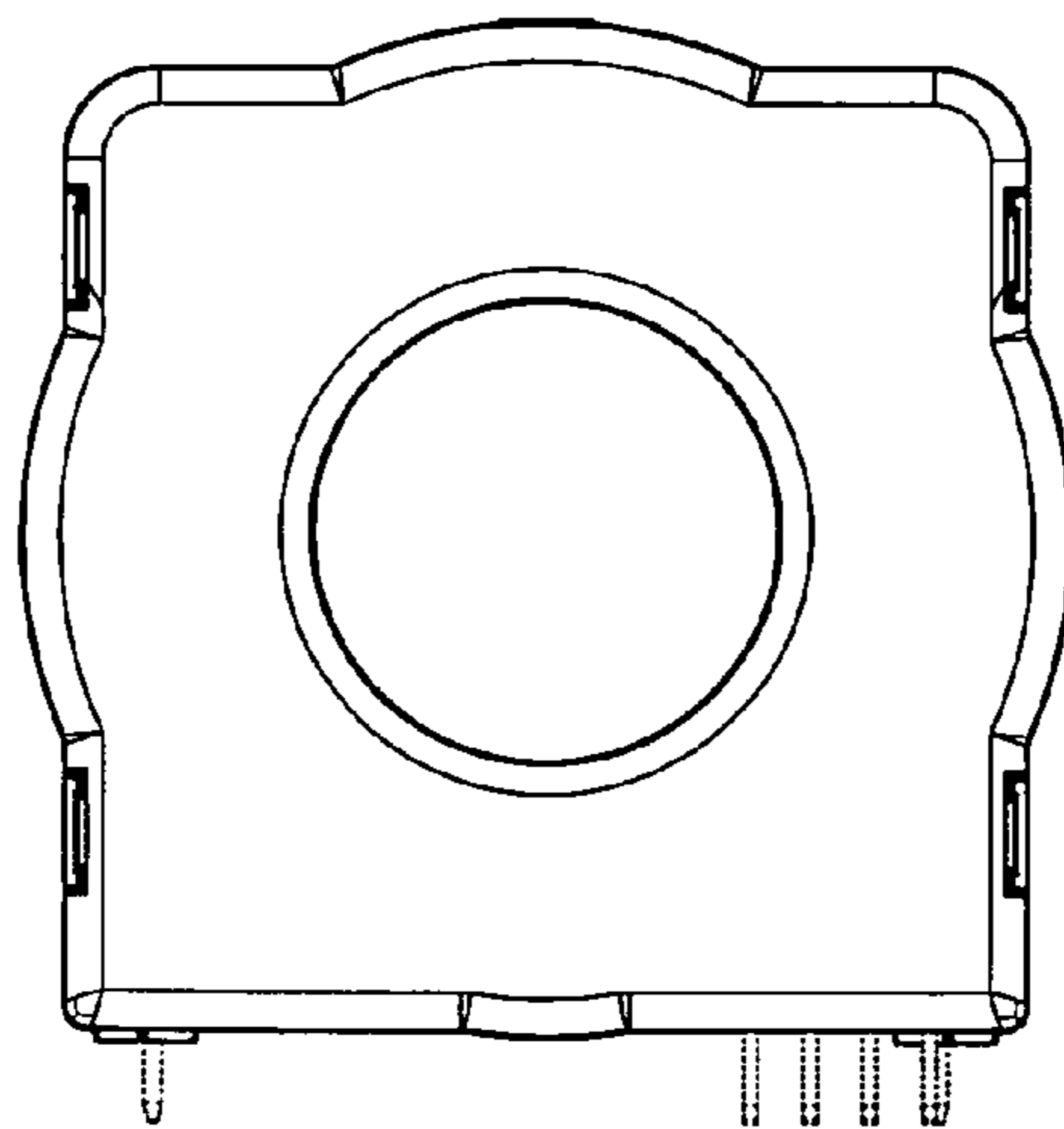


FIG. 4

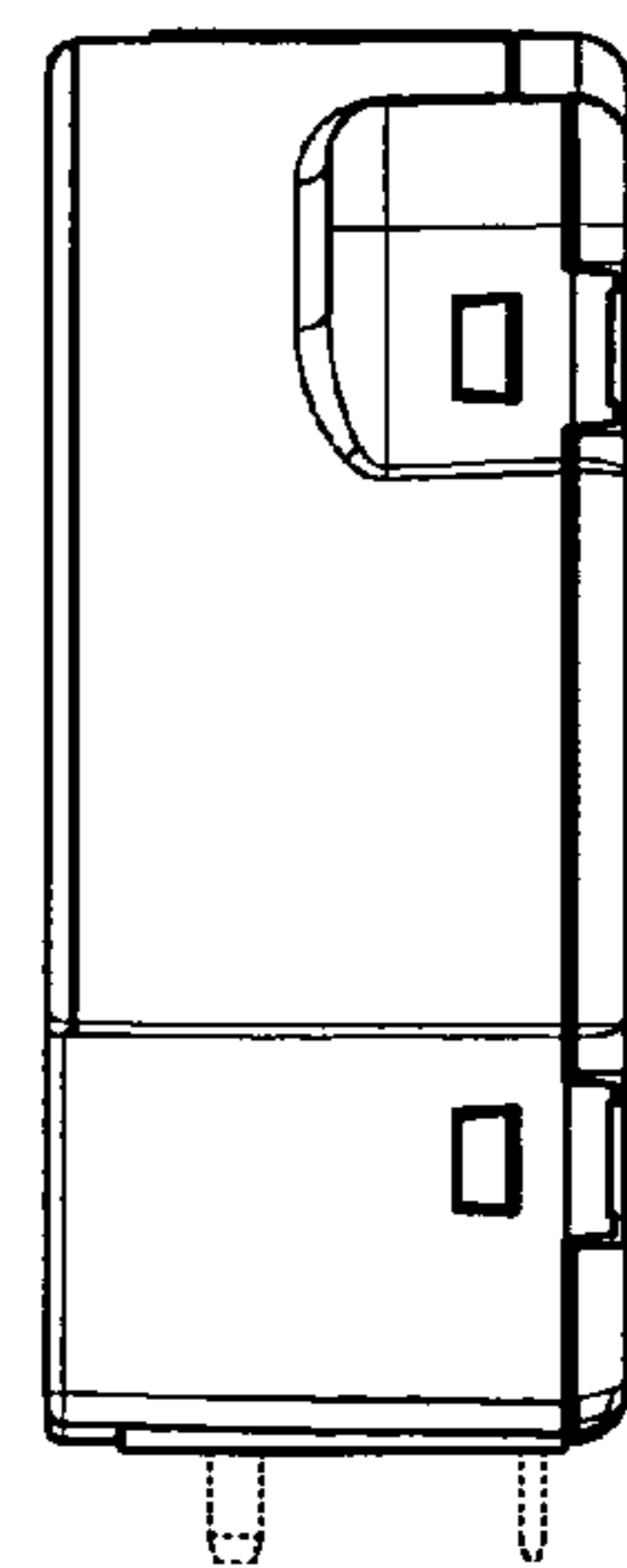


FIG. 6

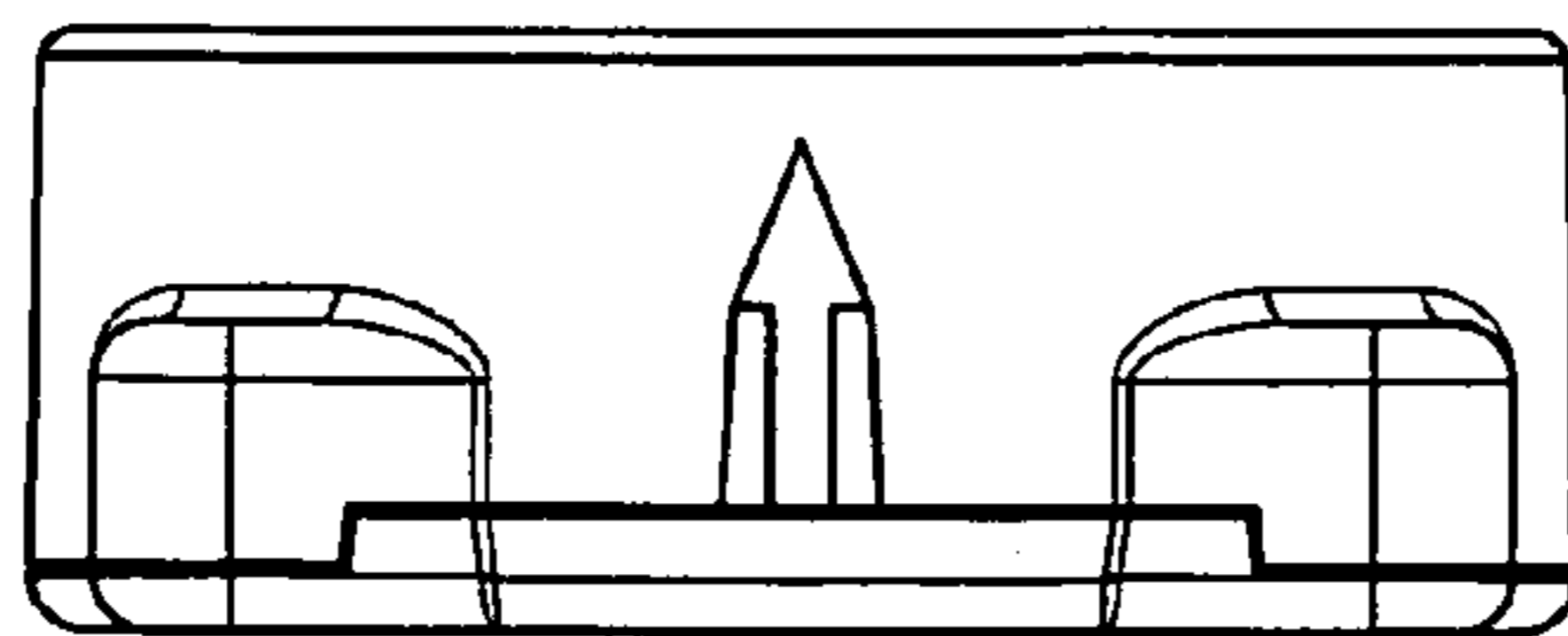


FIG. 8