



US00D656424S

(12) **United States Design Patent**
Bentley

(10) **Patent No.:** **US D656,424 S**
(45) **Date of Patent:** **** Mar. 27, 2012**

(54) **MOTION CAPTURE ELEMENT**

(56) **References Cited**

(75) Inventor: **Michael Bentley**, Encinitas, CA (US)
(73) Assignee: **Blast Motion, Inc.**, Encinitas, CA (US)

U.S. PATENT DOCUMENTS
7,086,954 B2 8/2006 Gobush et al.
D638,317 S * 5/2011 Nguyen et al. D10/70
* cited by examiner

(**) Term: **14 Years**

Primary Examiner — Antoine D Davis
(74) *Attorney, Agent, or Firm* — ARC IP Law, PC; Joseph J. Mayo

(21) Appl. No.: **29/368,615**

(57) **CLAIM**
The ornamental design for a motion capture element, as shown and described.

(22) Filed: **Aug. 26, 2010**

(51) **LOC (9) Cl.** **10-04**

(52) **U.S. Cl.** **D10/70**

(58) **Field of Classification Search** D10/70;
250/221, 338.3, 340; 307/116, 117; 340/521,
340/527, 541, 567

DESCRIPTION

FIG. 1 is a perspective view of a motion capture element.
FIG. 2 is a front view of a motion capture element.
FIG. 3 is a bottom view of a motion capture element.
FIG. 4 is a top view of a motion capture element; and,
FIG. 5 is a rear view of a motion capture element.

See application file for complete search history.

1 Claim, 4 Drawing Sheets

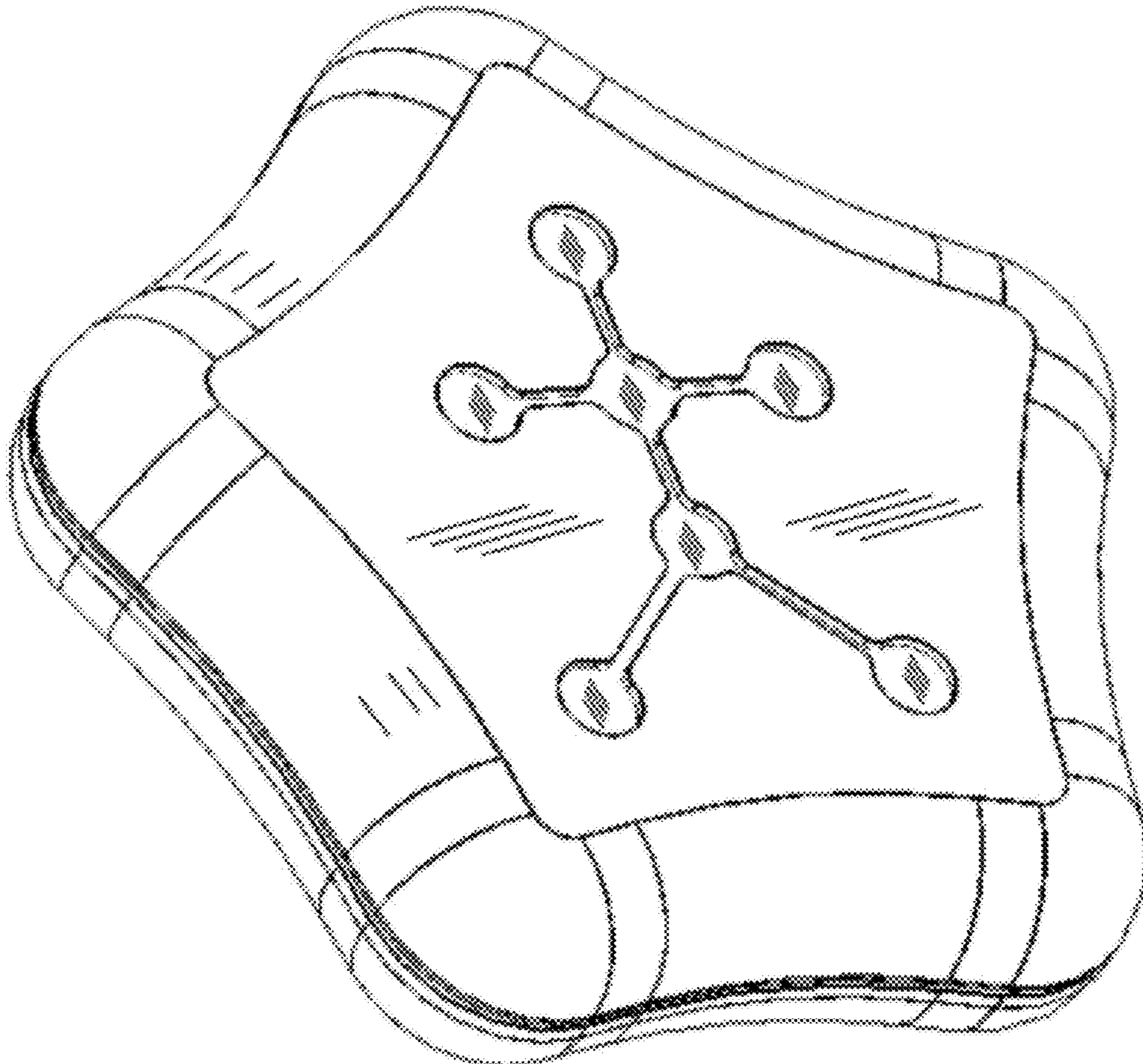


FIGURE 1

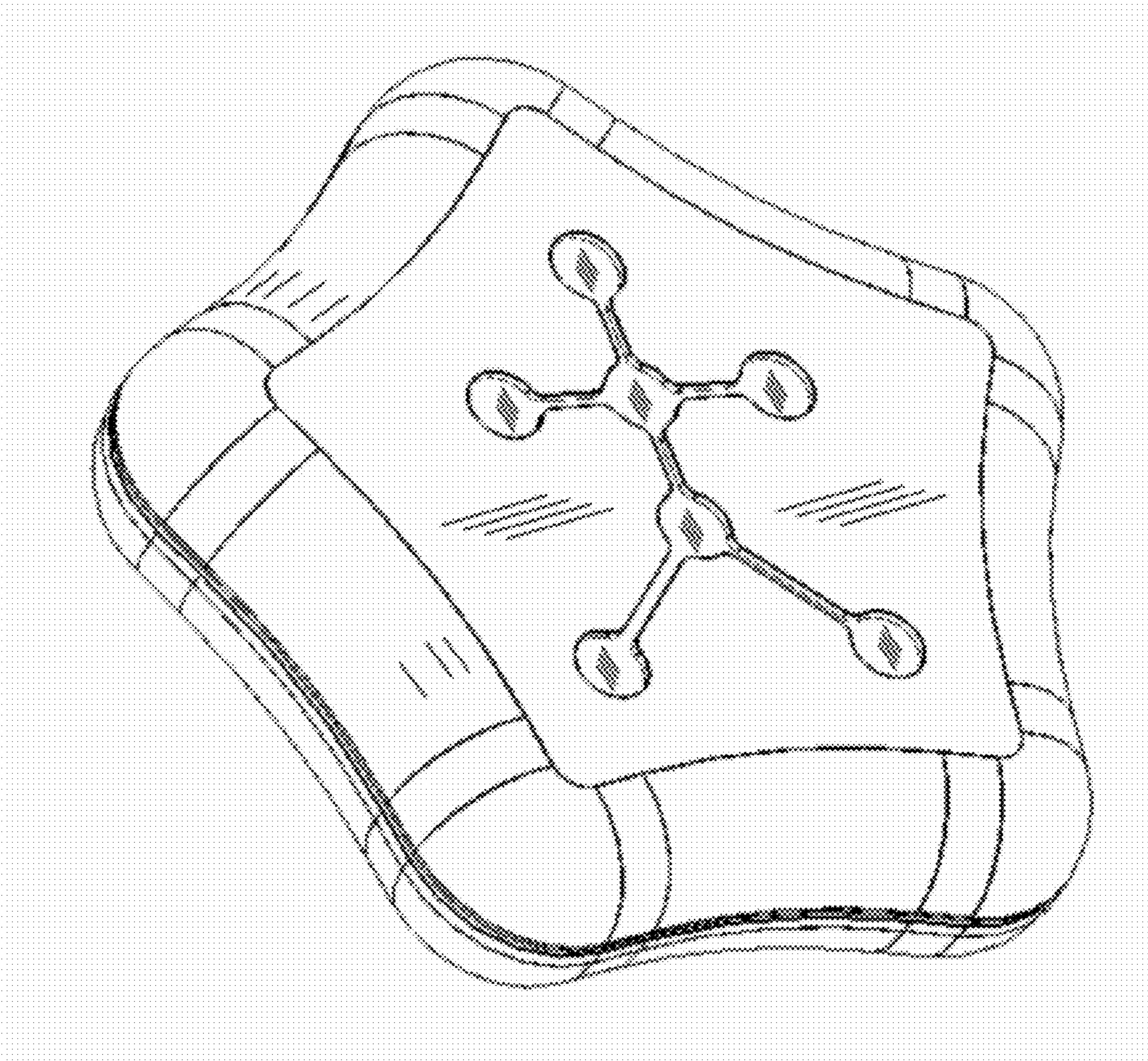


FIGURE 2

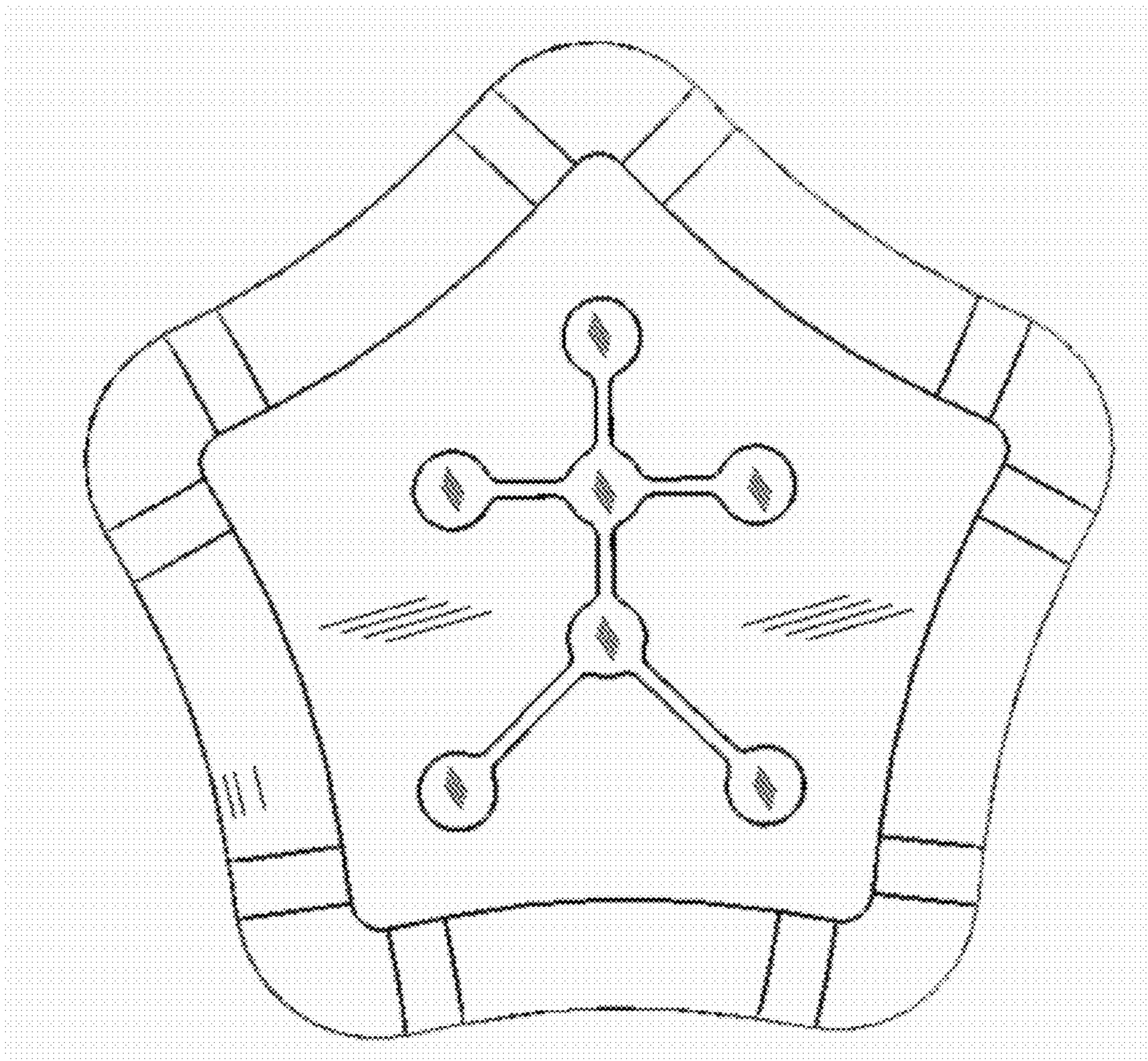


FIGURE 3

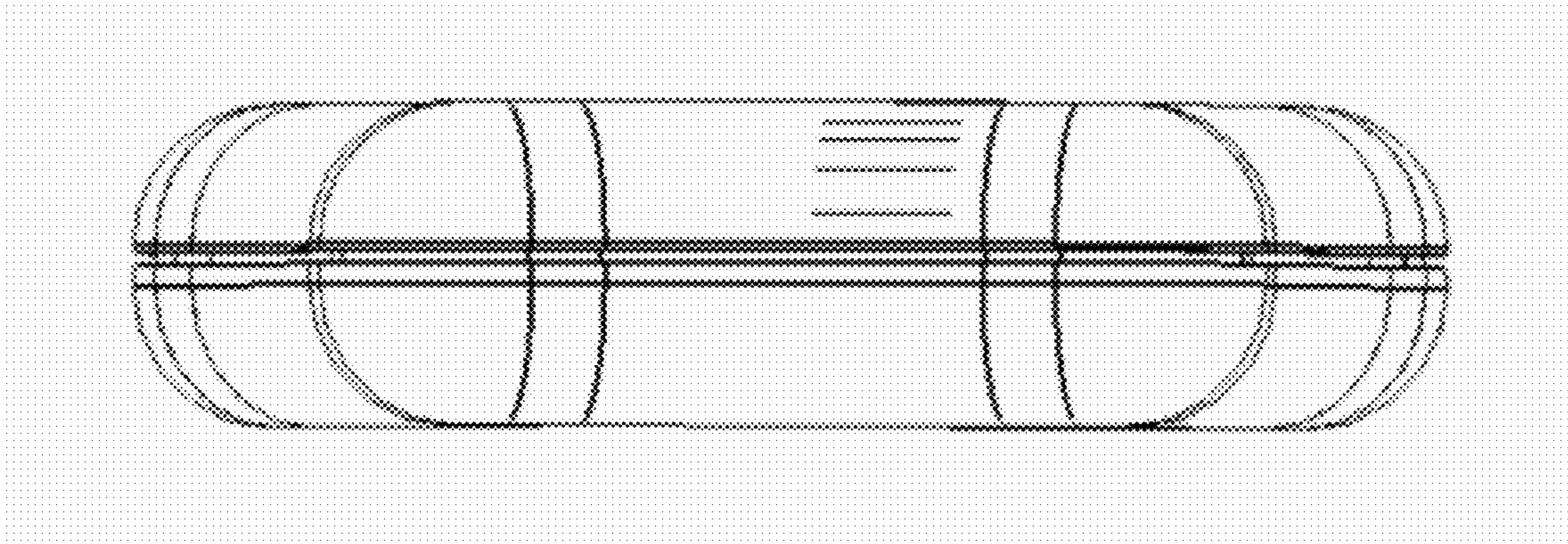


FIGURE 4

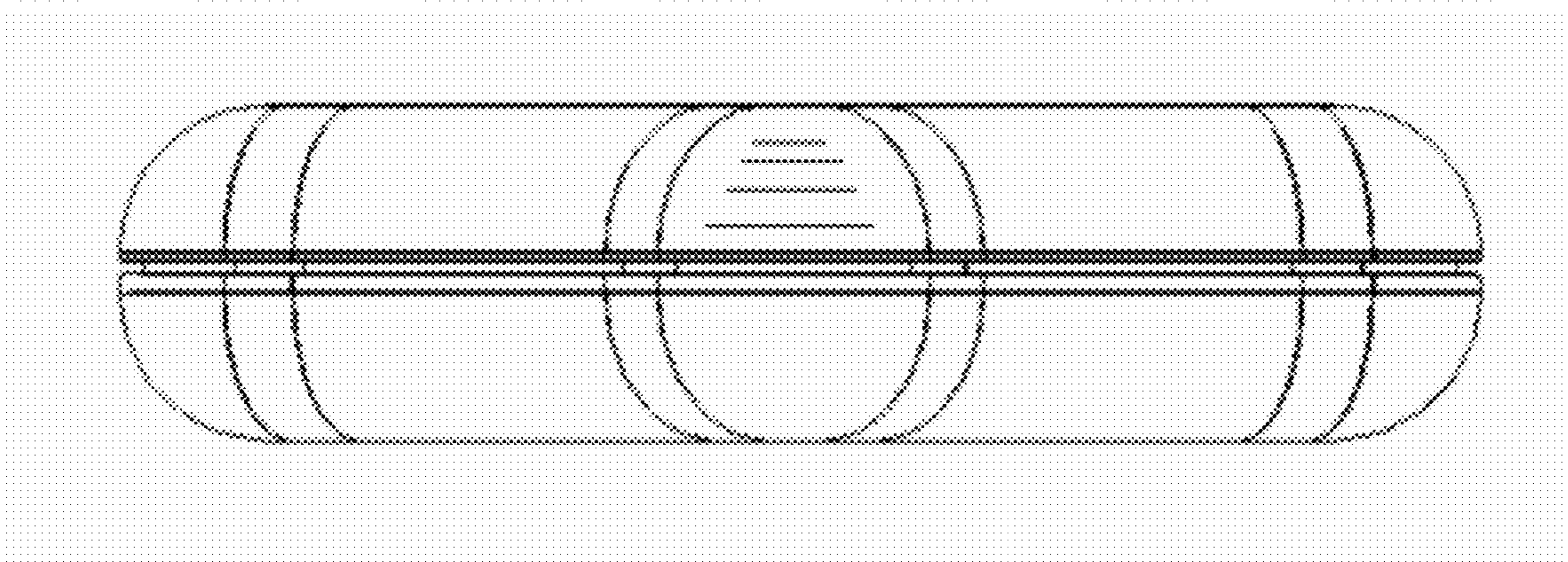


FIGURE 5

