

US00D656421S

(12) **United States Design Patent**  
**Marrocco et al.**

(10) **Patent No.:** **US D656,421 S**  
(45) **Date of Patent:** **\*\* Mar. 27, 2012**

(54) **RADAR APPARATUS**

(75) Inventors: **Francesco Marrocco**, Rome (IT);  
**Gianluca Costanesi**, Rome (IT);  
**Stefano Pacetti**, Rome (IT)

(73) Assignee: **Selex Sistemi Integrati S.p.A.**, Rome (IT)

(\*\*) Term: **14 Years**

(21) Appl. No.: **29/379,089**

(22) Filed: **Nov. 15, 2010**

(30) **Foreign Application Priority Data**

Sep. 15, 2010 (EM) ..... 001755117-0001

(51) **LOC (9) Cl.** ..... **10-04**

(52) **U.S. Cl.** ..... **D10/63; D10/70**

(58) **Field of Classification Search** ..... D10/63,  
D10/70; 250/221, 338.3, 340; 307/116,  
307/117; 340/521, 527, 541, 567

See application file for complete search history.

(56) **References Cited**

U.S. PATENT DOCUMENTS

D535,899	S	*	1/2007	Li	.....	D10/70
D536,630	S	*	2/2007	Li	.....	D10/70
D537,002	S	*	2/2007	Li	.....	D10/70
D537,003	S	*	2/2007	Li	.....	D10/70

\* cited by examiner

*Primary Examiner* — Antoine D Davis

(74) *Attorney, Agent, or Firm* — Hedman & Costigan, P.C.;  
James V. Costigan

(57) **CLAIM**

The ornamental design for a radar apparatus, as shown and described.

**DESCRIPTION**

FIG. 1 is a left side view of the radar apparatus showing our new design;

FIG. 2 is a right side view thereof;

FIG. 3 is a bottom view thereof;

FIG. 4 is a top view thereof;

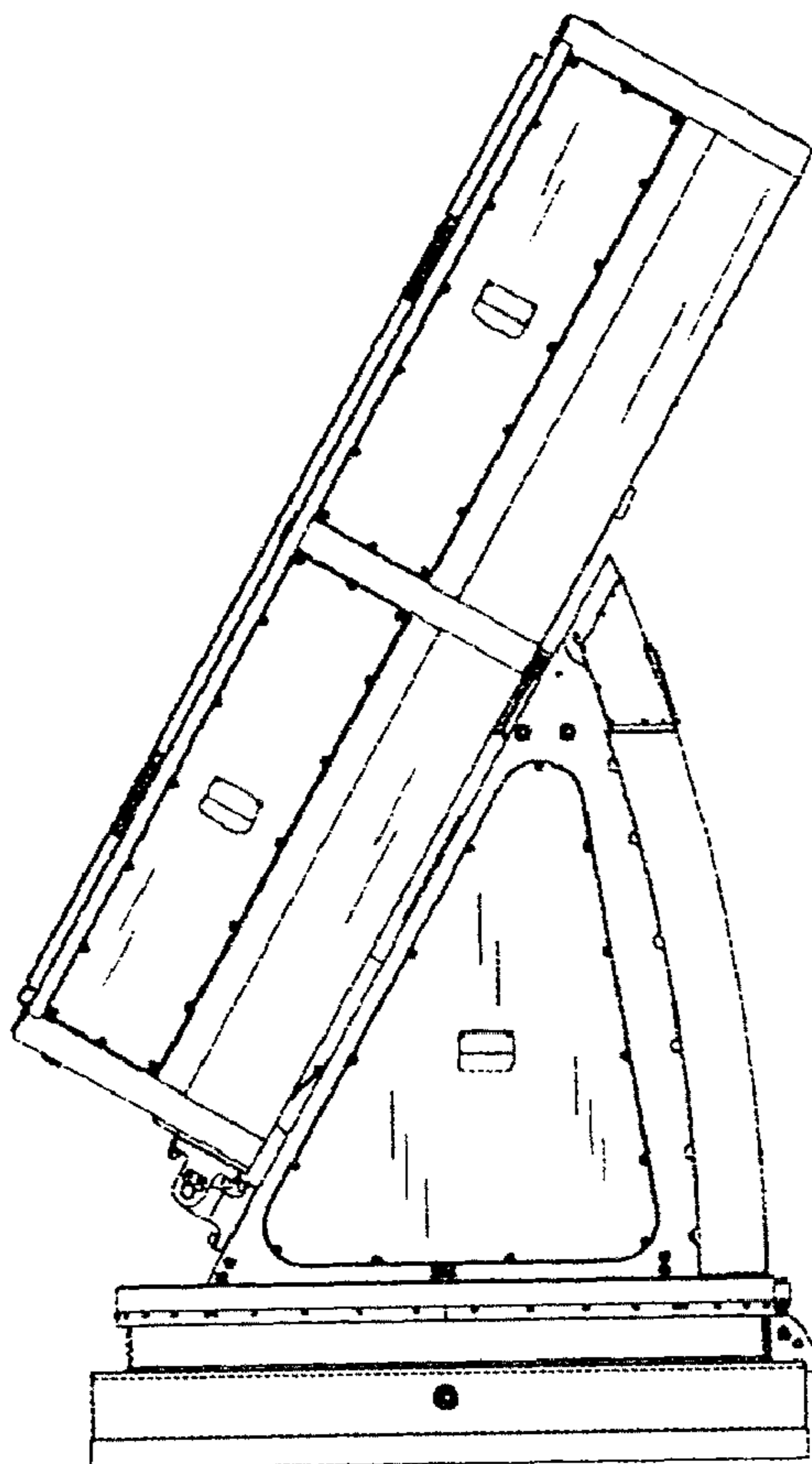
FIG. 5 is a front view thereof;

FIG. 6 is a back view thereof;

FIG. 7 is a front perspective view thereof; and,

FIG. 8 is a back perspective view thereof.

**1 Claim, 8 Drawing Sheets**



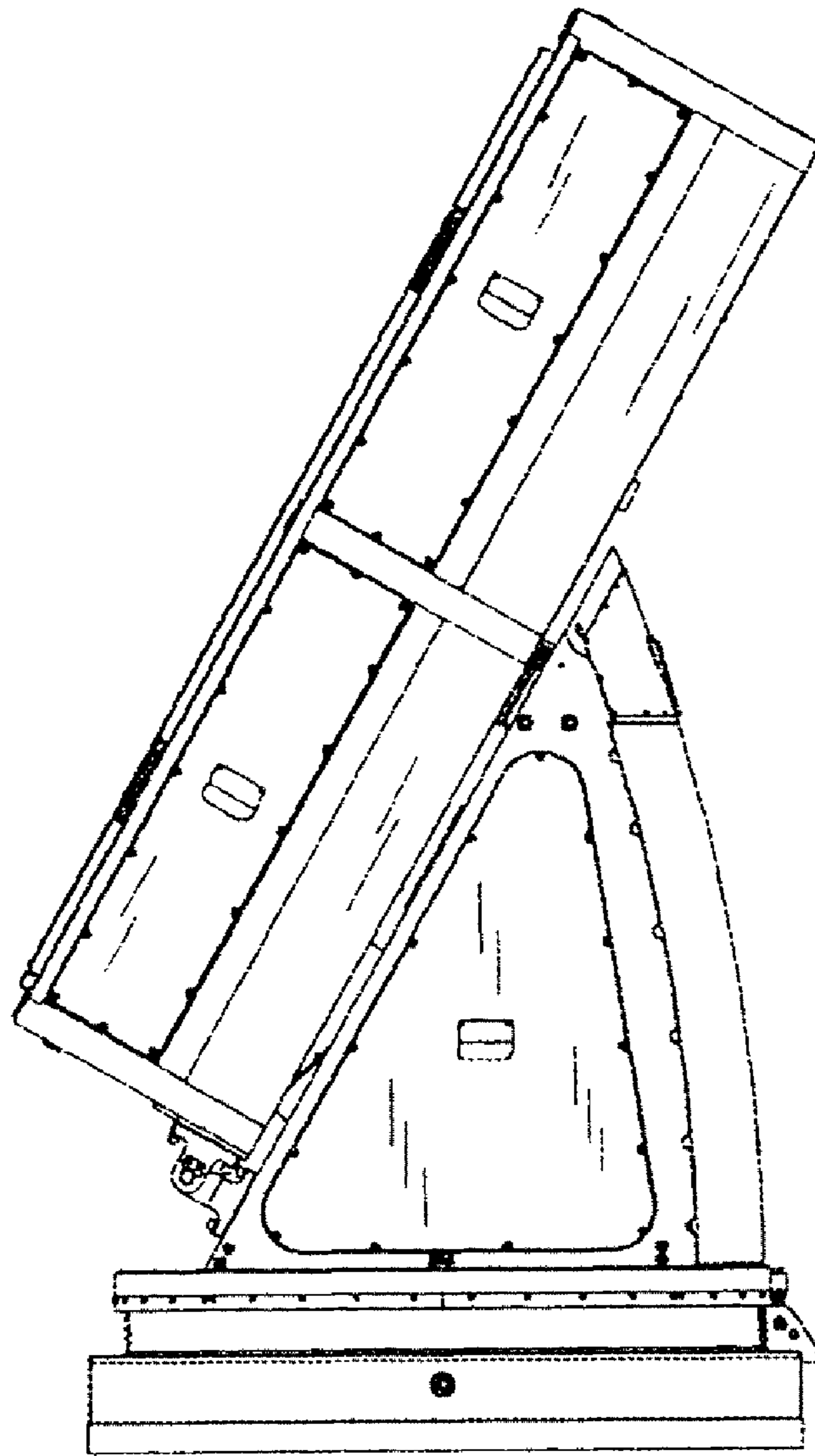


FIG 1

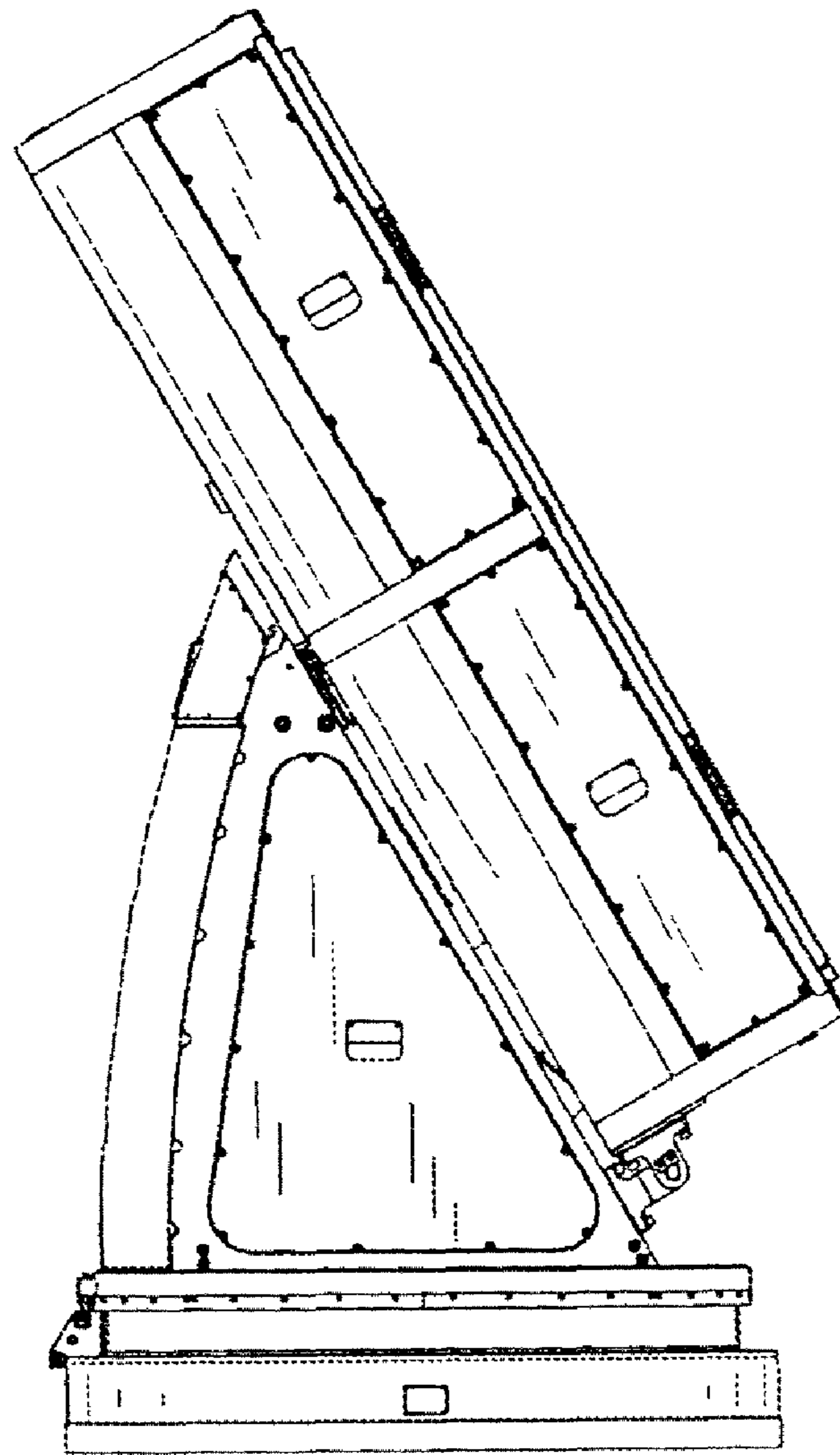


FIG 2

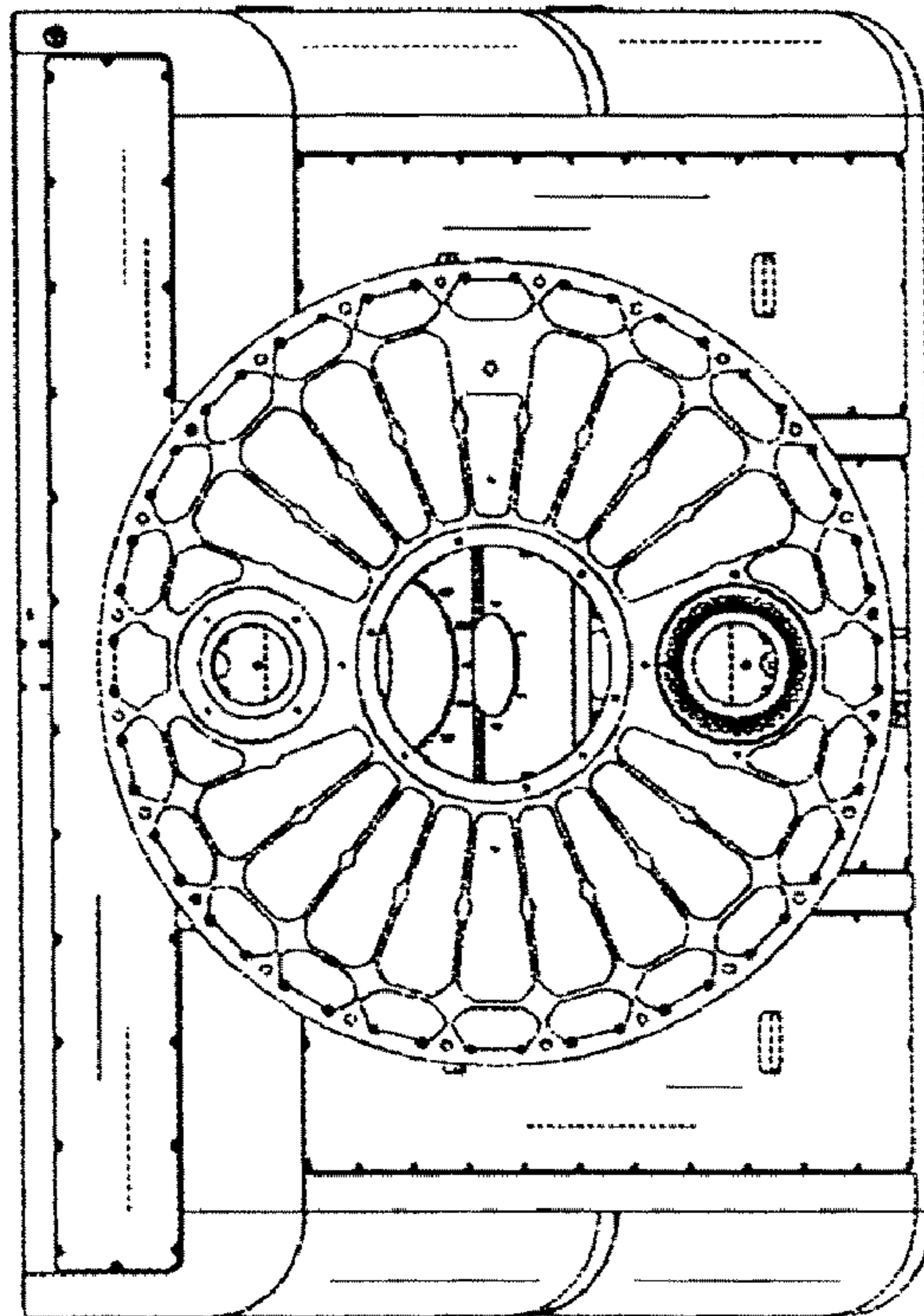


FIG 3

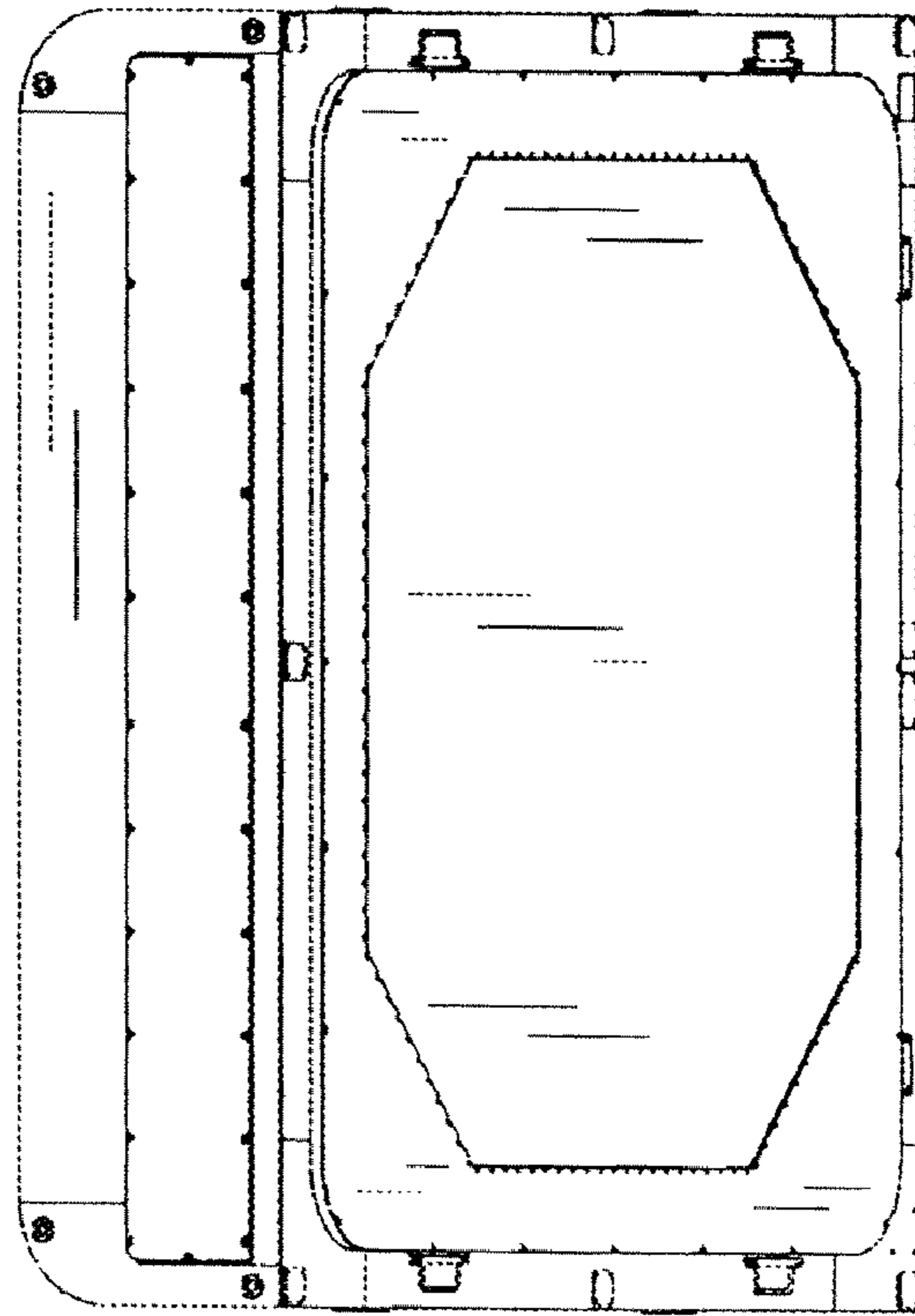


FIG 4

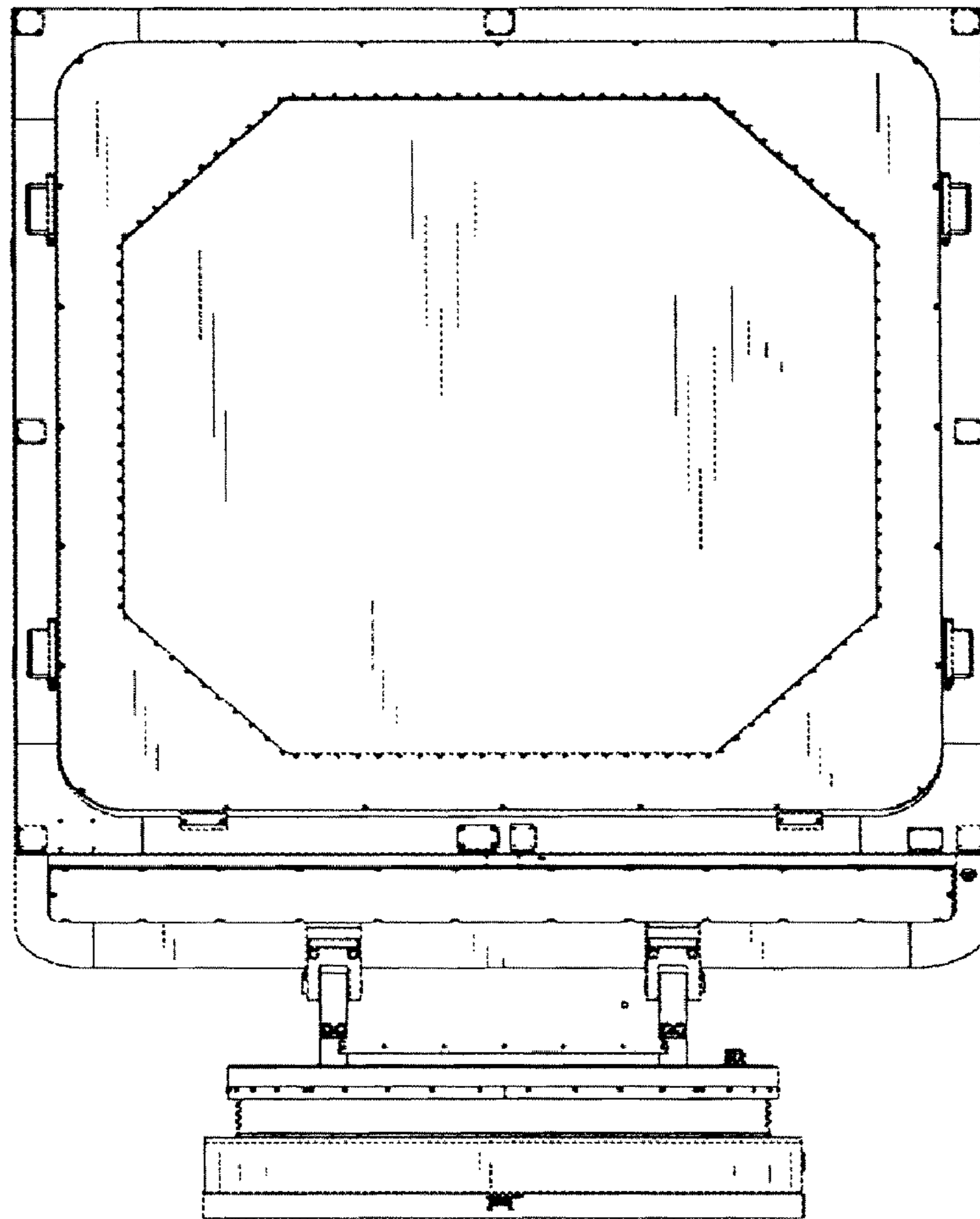


FIG 5

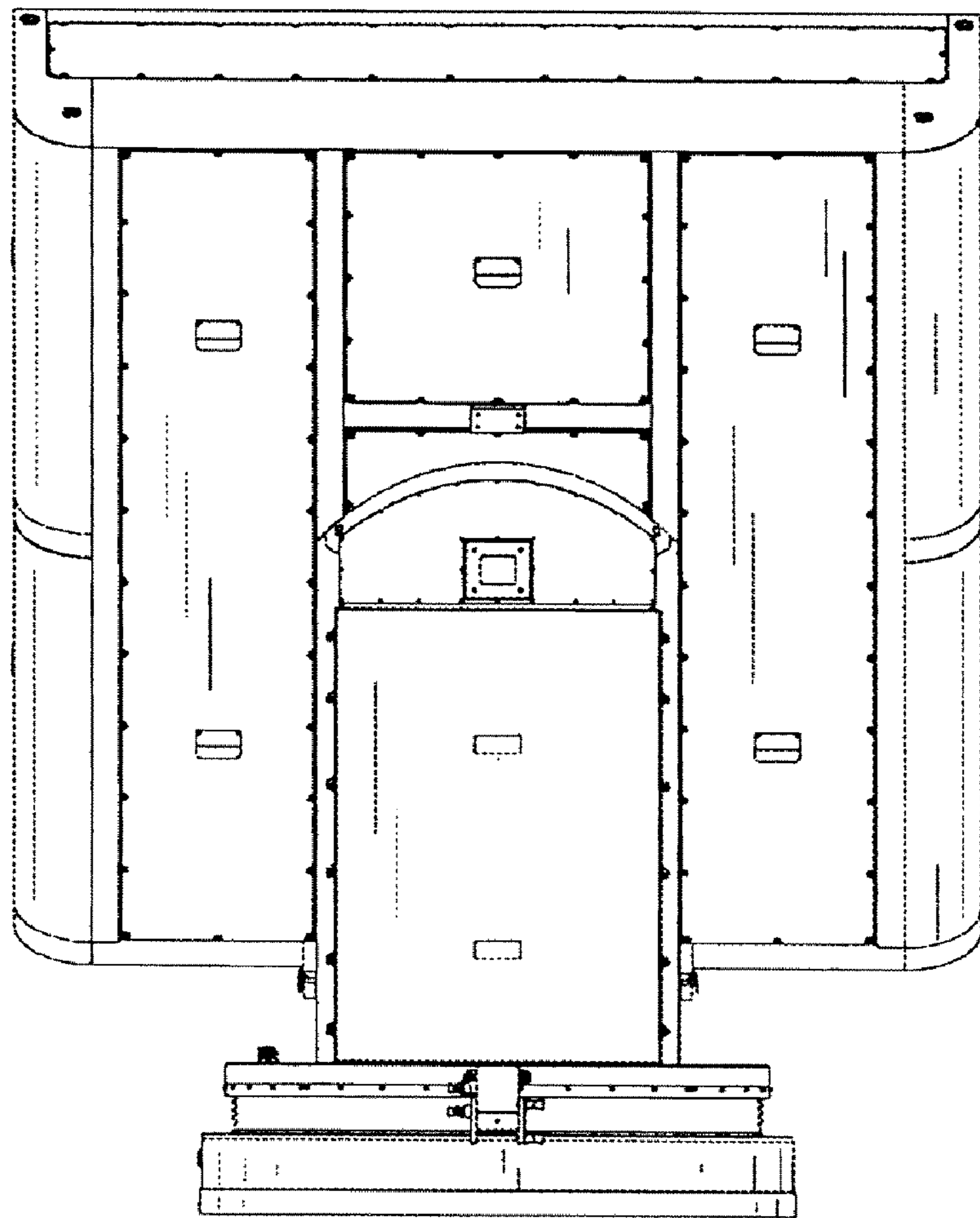


FIG 6

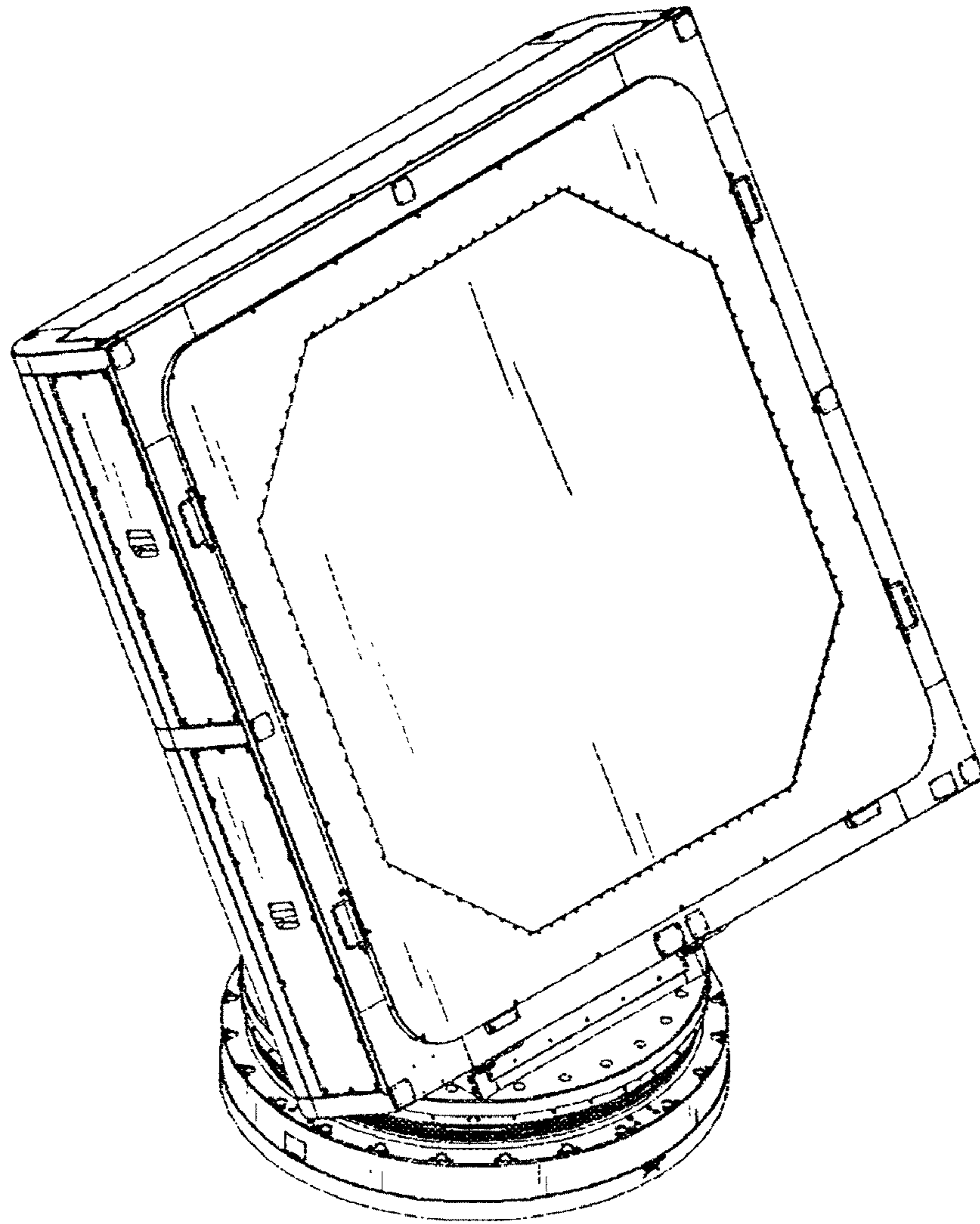


FIG 7



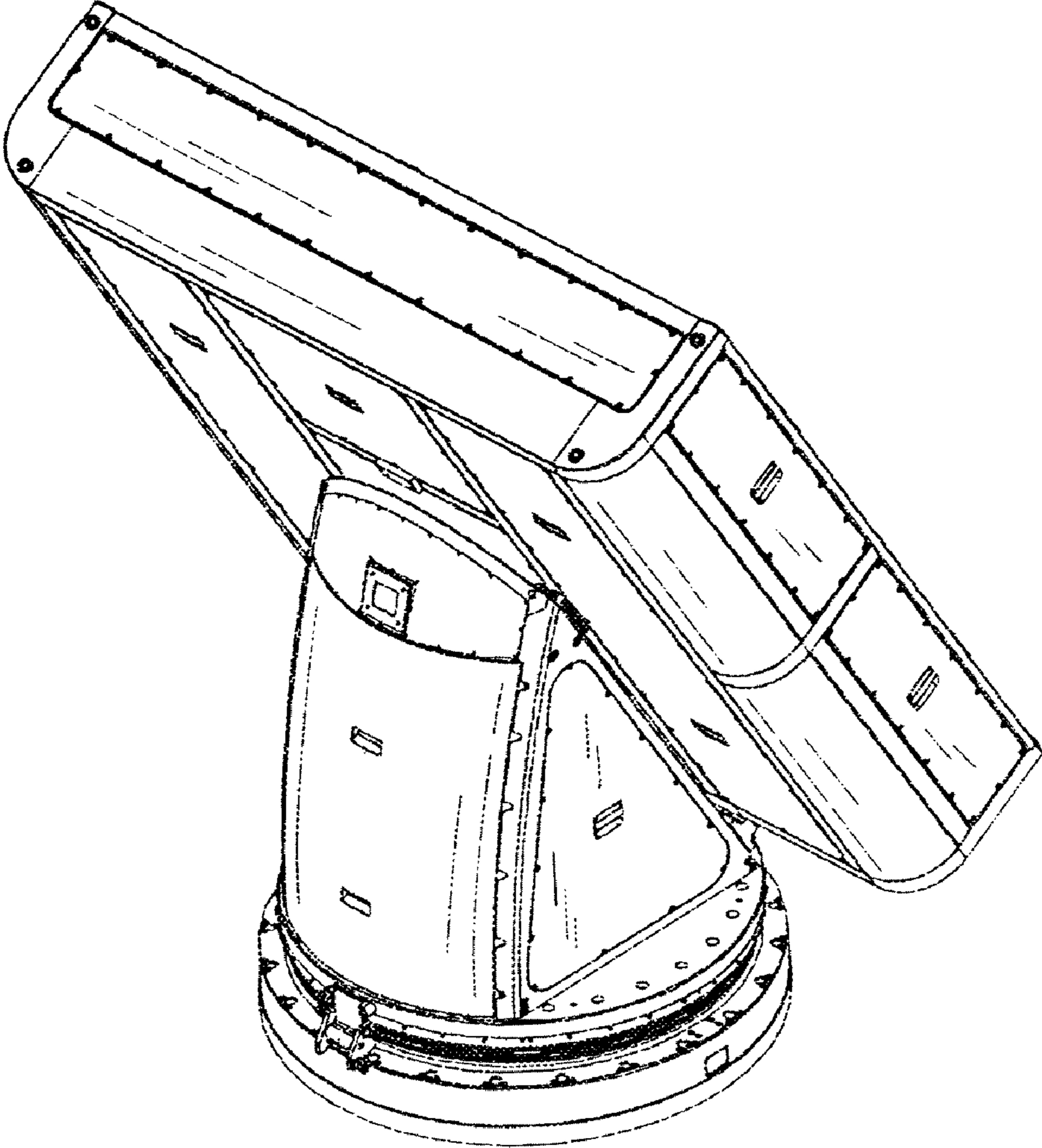


FIG 8