



US00D656418S

(12) **United States Design Patent**
Scheufele

(10) **Patent No.:** **US D656,418 S**
(45) **Date of Patent:** **** Mar. 27, 2012**

(54) **WATCH**

(75) **Inventor:** **Karl-Friedrich Scheufele**, Prangins
(CH)

(73) **Assignee:** **Chopard International SA**, Prangins
(CH)

(**) **Term:** **14 Years**

(21) **Appl. No.:** **29/402,054**

(22) **Filed:** **Sep. 20, 2011**

(30) **Foreign Application Priority Data**

Mar. 22, 2011 (DM) DM/075 678

(51) **LOC (9) Cl.** **10-02**

(52) **U.S. Cl.** **D10/39**

(58) **Field of Classification Search** D10/30-39,
D10/123-126; 368/276, 281, 282, 285, 80,
368/223, 232

See application file for complete search history.

(56) **References Cited**

U.S. PATENT DOCUMENTS

D262,609 S *	1/1982	Kurowsky	D10/39
D262,692 S *	1/1982	Kurowsky	D10/39
D339,532 S *	9/1993	Frappe	D10/39
D386,979 S *	12/1997	Kubisch	D10/32
D389,748 S *	1/1998	Kennedy	D10/30
D390,128 S *	2/1998	Toribio	D10/32

D390,148 S *	2/1998	Brzezinski	D10/30
D476,908 S *	7/2003	Ellia	D10/39
D518,741 S *	4/2006	Modolo	D10/32
D539,172 S *	3/2007	Jamin	D10/32
D559,130 S *	1/2008	Laucella	D10/39
D561,050 S *	2/2008	Laucella	D10/39
D576,891 S *	9/2008	Tripet	D10/33
D578,023 S *	10/2008	Rochat	D10/32
D591,176 S *	4/2009	Monachon	D10/32
D592,980 S *	5/2009	Laucella	D10/39
D600,139 S *	9/2009	Miloradovic	D10/32
D615,882 S *	5/2010	Laucella	D10/39
D622,163 S *	8/2010	Loth	D10/32
D627,243 S *	11/2010	Deleskiewicz et al.	D10/39
D631,763 S *	2/2011	Vollet	D10/32

* cited by examiner

Primary Examiner — Lucy Lieberman

(74) *Attorney, Agent, or Firm* — McGlew and Tuttle, P.C.

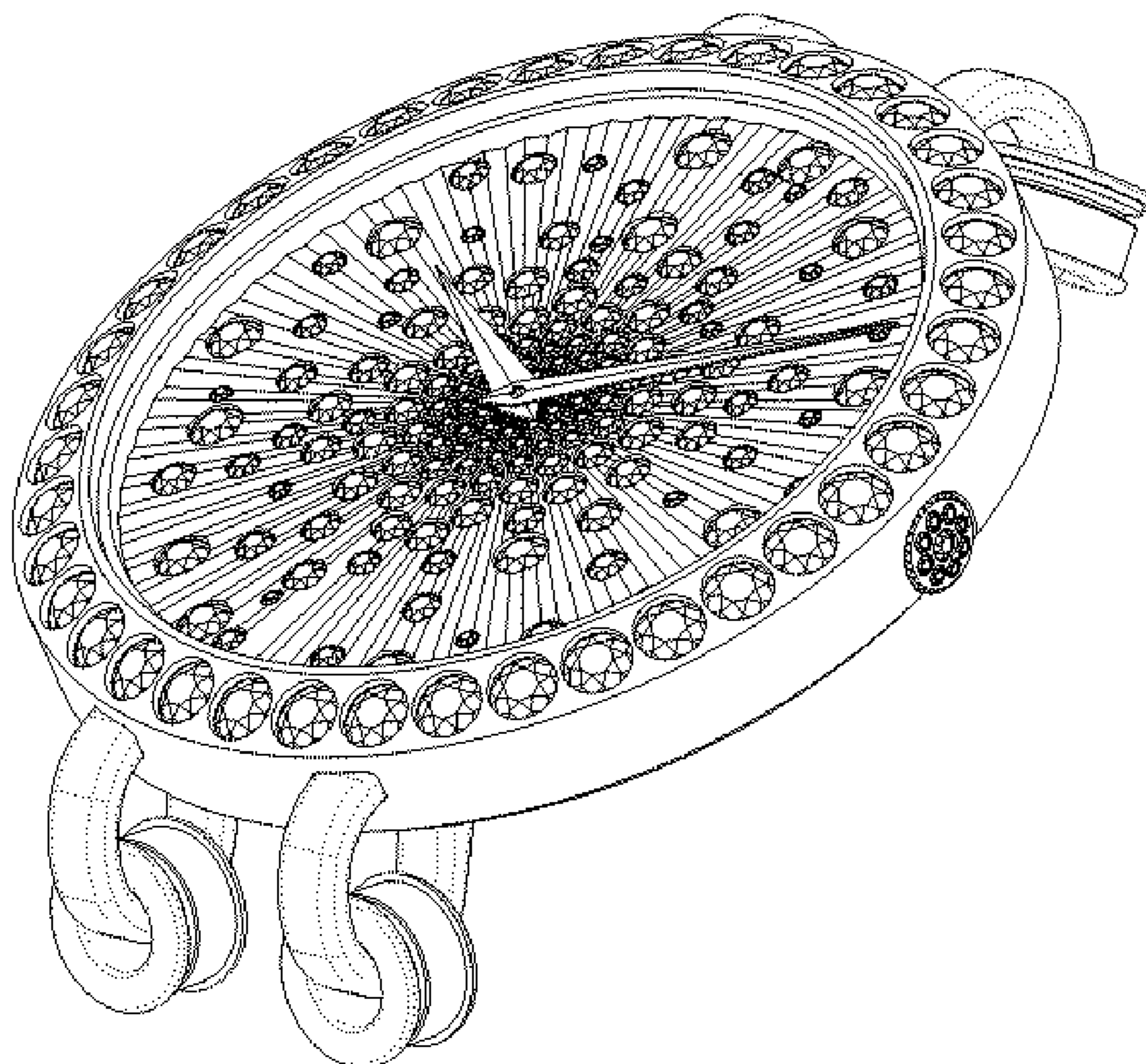
(57) **CLAIM**

The ornamental design for a watch, as shown and described.

DESCRIPTION

FIG. 1 is a right side view of my new watch design;
FIG. 2 is a top view thereof;
FIG. 3 is a left side view thereof;
FIG. 4 is a front end view thereof;
FIG. 5 is a bottom view thereof;
FIG. 6 is rear end view thereof;
FIG. 7 is top right perspective view thereof; and,
FIG. 8 is bottom left perspective view thereof.

1 Claim, 1 Drawing Sheet



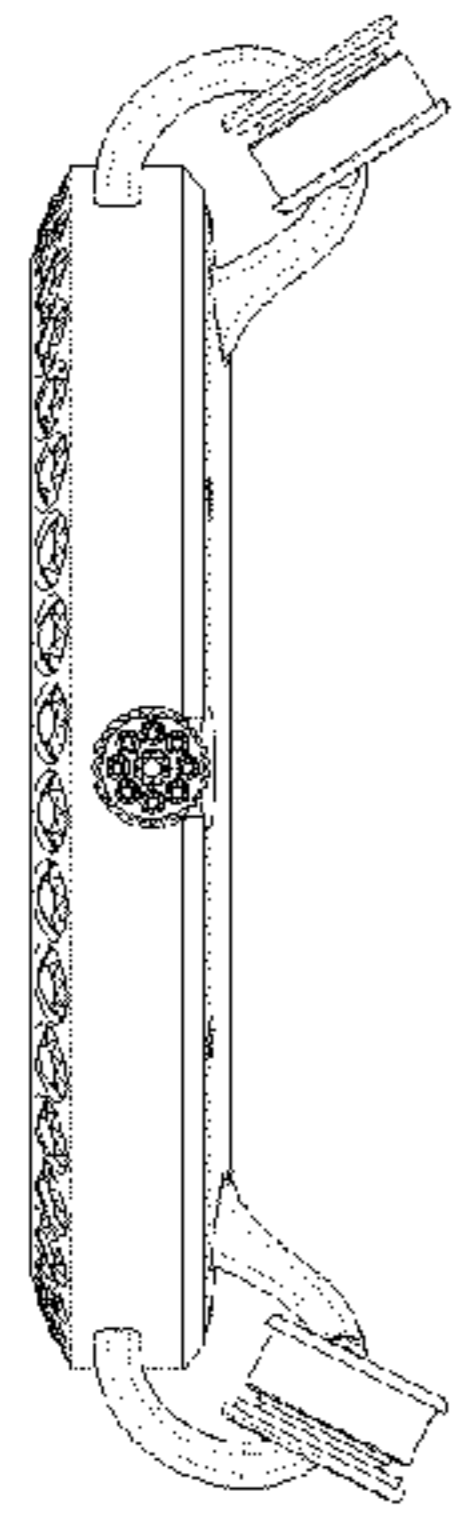


Fig. 1

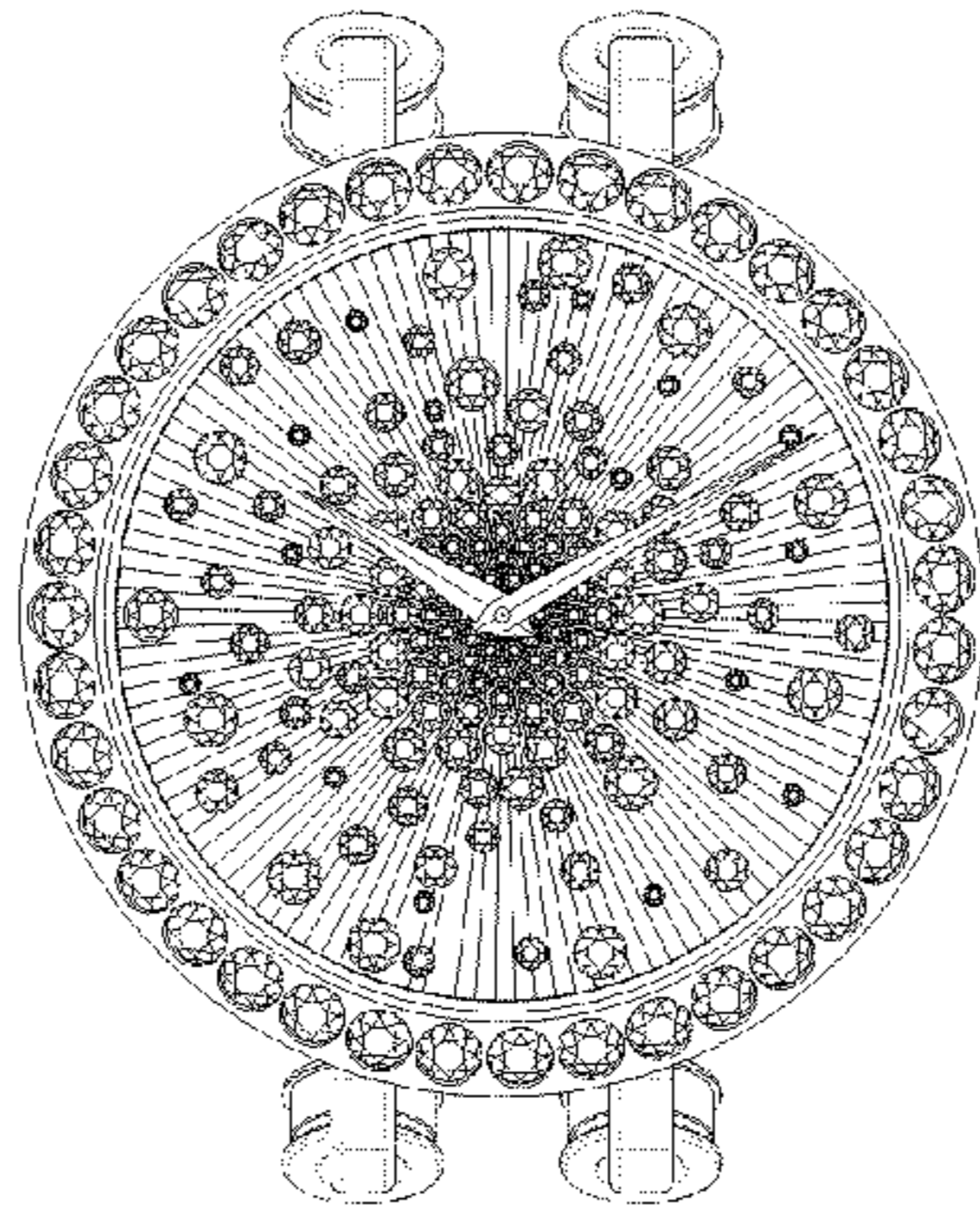


Fig. 2

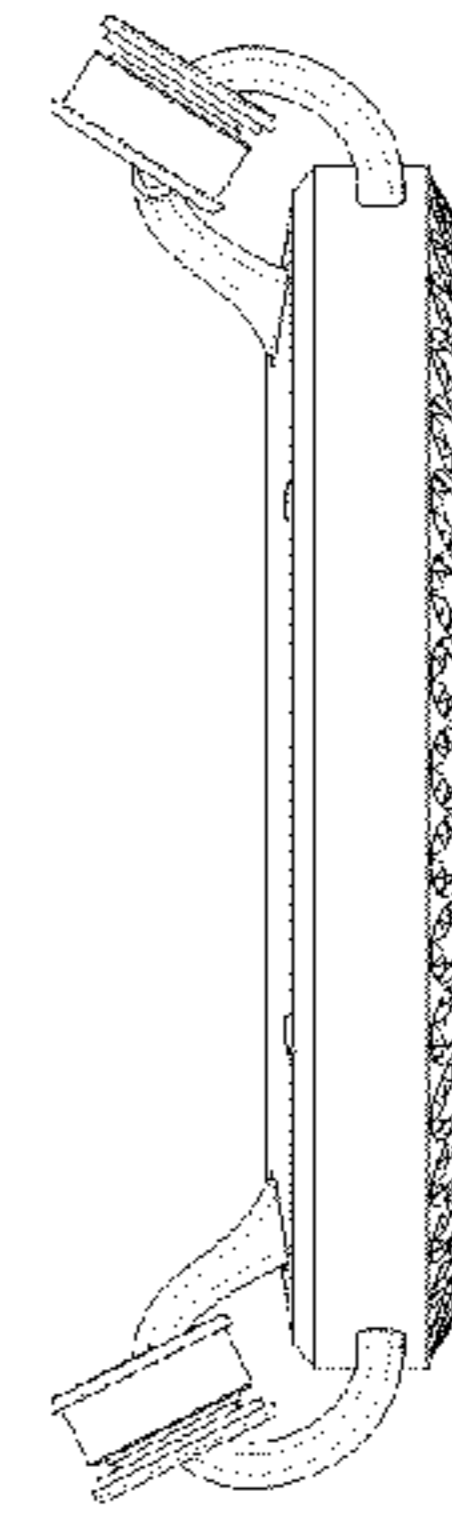


Fig. 3

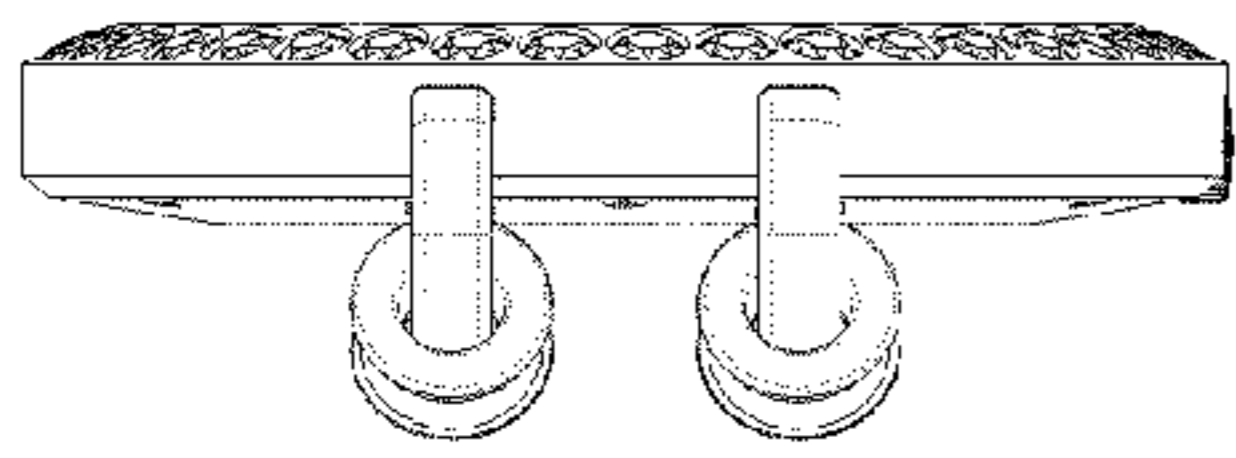


Fig. 4

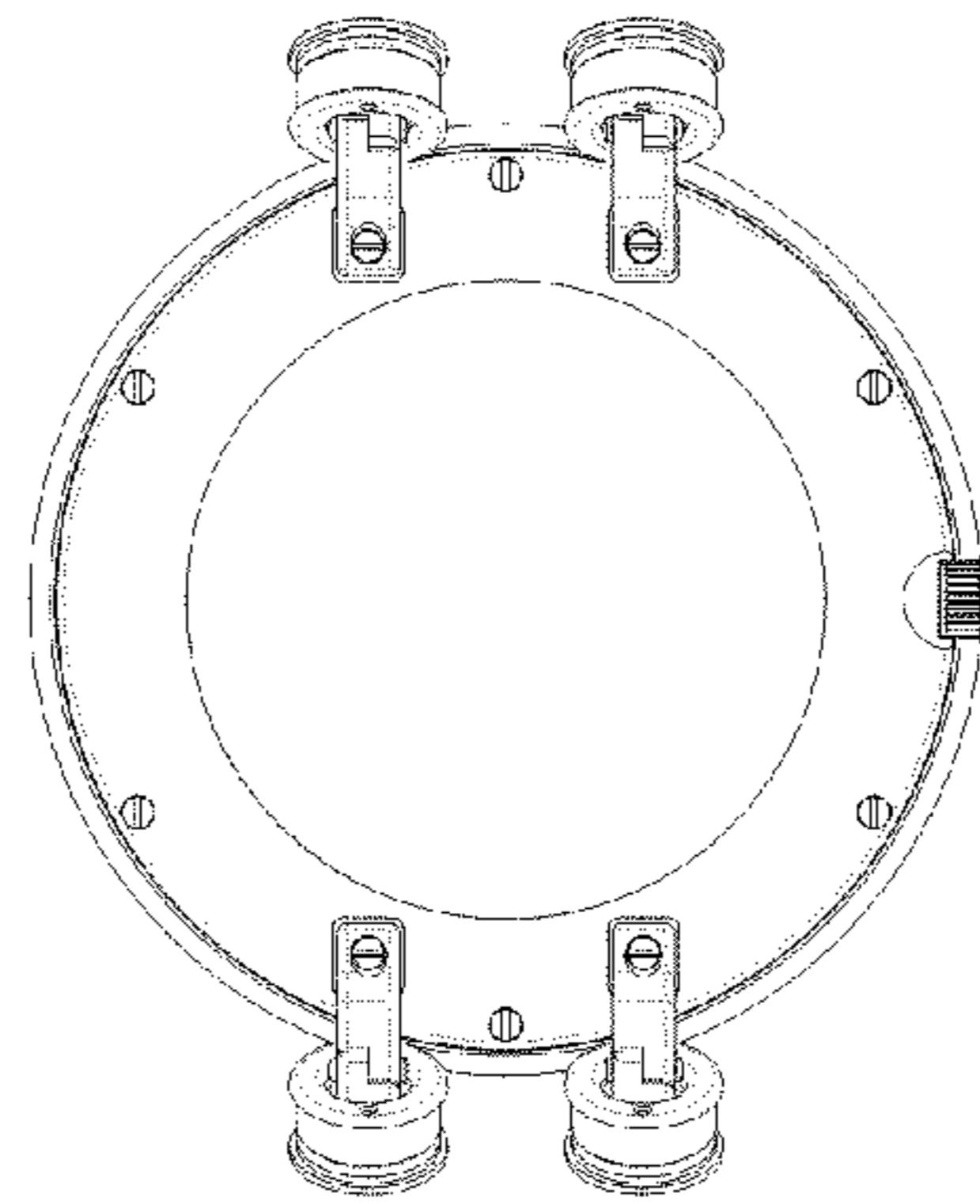


Fig. 5

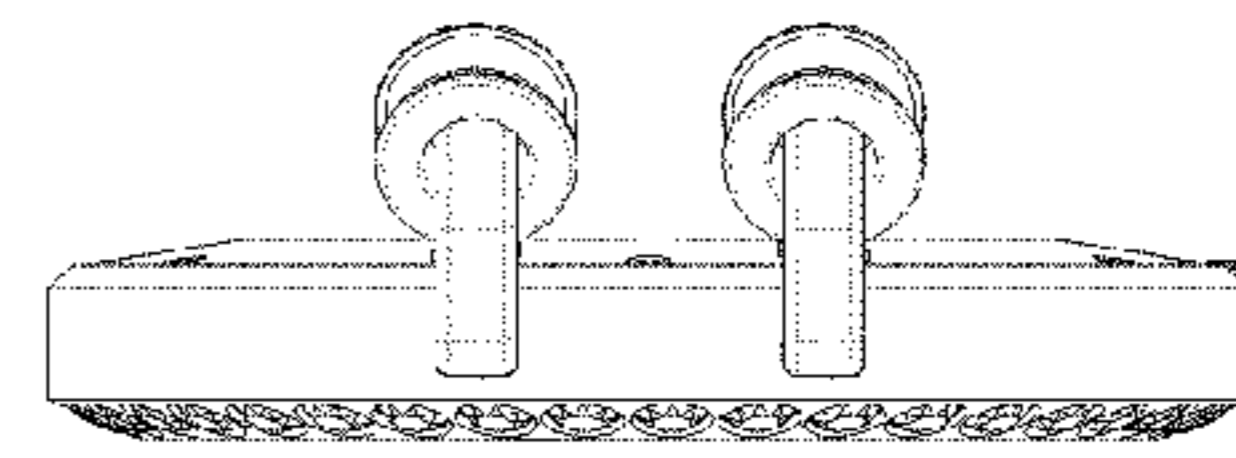


Fig. 6

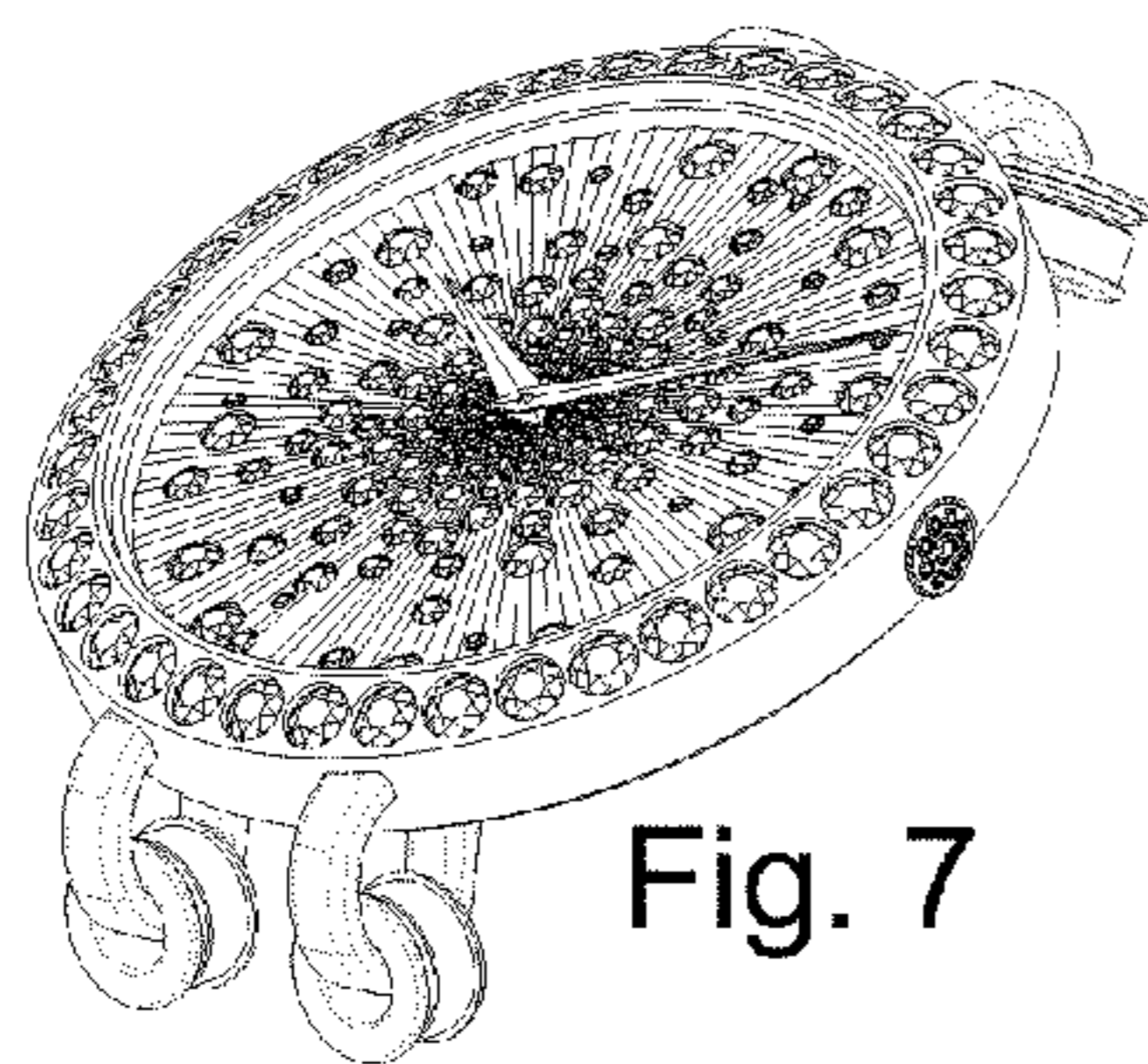


Fig. 7

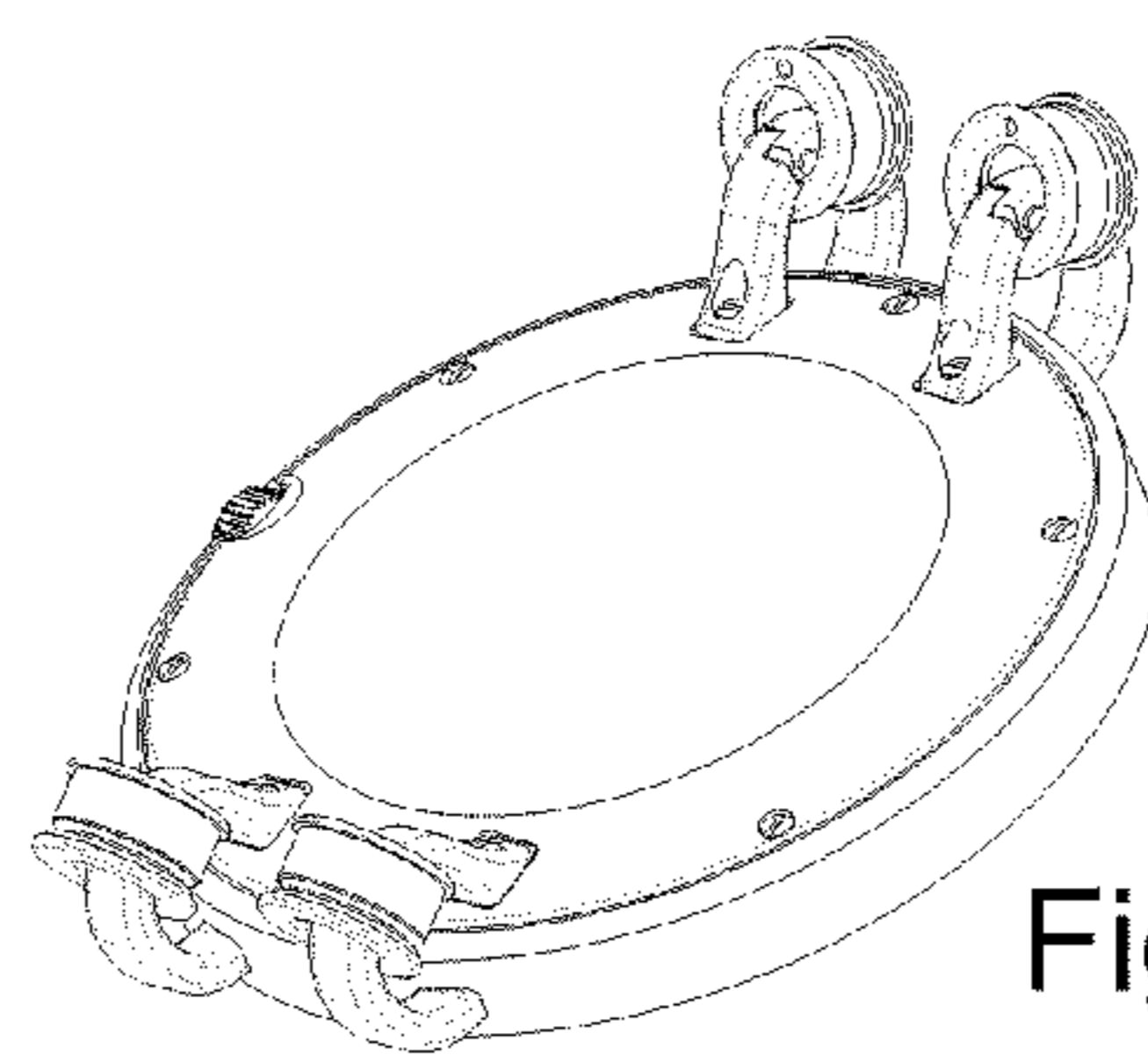


Fig. 8