



US00D656414S

(12) **United States Design Patent**
Parmigiani

(10) **Patent No.:** **US D656,414 S**

(45) **Date of Patent:** **** Mar. 27, 2012**

(54) **ASSEMBLED WATCH CASING BODY AND WATCH CASE**

D508,859 S * 8/2005 Ho D10/30
D538,182 S * 3/2007 Lalo D10/32
D632,980 S * 2/2011 Yurman D10/38

(75) Inventor: **Michel Parmigiani**, Fleurier (CH)

* cited by examiner

(73) Assignee: **Parmigiani Fleurier SA**, Fleurier (CH)

Primary Examiner — Lucy Lieberman

(**) Term: **14 Years**

(74) *Attorney, Agent, or Firm* — Clifford W. Browning; Krieg DeVault LLP

(21) Appl. No.: **29/373,164**

(22) Filed: **Mar. 9, 2011**

(57) **CLAIM**

The ornamental design for an assembled watch casing body and watch case, as shown and described.

(30) **Foreign Application Priority Data**

Sep. 10, 2010 (WO) DM/074 886

DESCRIPTION

(51) **LOC (9) Cl.** **10-02**

(52) **U.S. Cl.** **D10/38**

(58) **Field of Classification Search** D10/30–39;
368/276, 281, 282, 285

See application file for complete search history.

FIG. 1 is a front perspective view of the assembled watch casing body and watch case of the present invention.

FIG. 2 is a rear perspective view of the assembled watch casing body and watch case of FIG. 1.

FIG. 3 is a top view of the assembled watch casing body and watch case of FIG. 1.

FIG. 4 is an enlarged bottom view of the watch case showing my new design.

FIG. 5 is a right side view of the assembled watch casing body and watch case of FIG. 1.

FIG. 6 is a rear view of the assembled watch casing body and watch case of FIG. 1.

FIG. 7 is a left side view of the assembled watch casing body and watch case of FIG. 1; and,

FIG. 8 is a front view of the assembled watch casing body and watch case of FIG. 1.

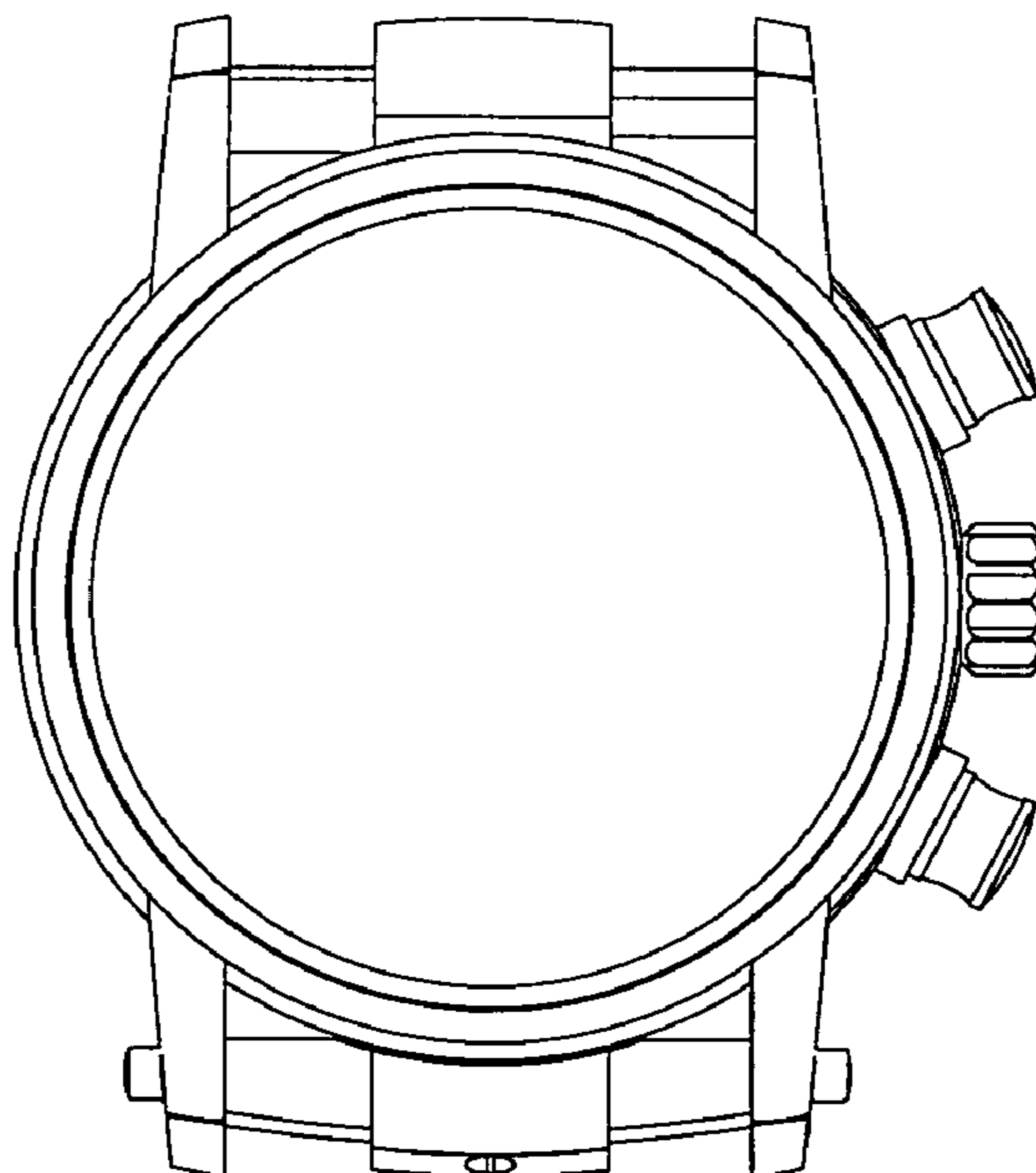
The broken lines shown in FIG. 4 are used to show unclaimed portions of the design.

(56) **References Cited**

U.S. PATENT DOCUMENTS

D172,442	S	*	6/1954	Richter	D10/39
2,926,825	A	*	3/1960	Wing	224/164
3,554,414	A	*	1/1971	Gluck et al.	24/265 WS
D222,784	S	*	12/1971	Granges	D10/39
3,740,944	A	*	6/1973	Chopard	368/281
3,901,023	A	*	8/1975	Uebelhardt	368/281
5,226,023	A	*	7/1993	Grimm	368/223
D339,751	S	*	9/1993	Besson	D10/39
D352,470	S	*	11/1994	Besson	D10/39
D380,968	S	*	7/1997	Feuvrier	D10/30
D459,236	S	*	6/2002	Haquet	D10/30
D475,305	S	*	6/2003	Tavenas	D10/39
D492,207	S	*	6/2004	Rizzetto	D10/30

1 Claim, 3 Drawing Sheets



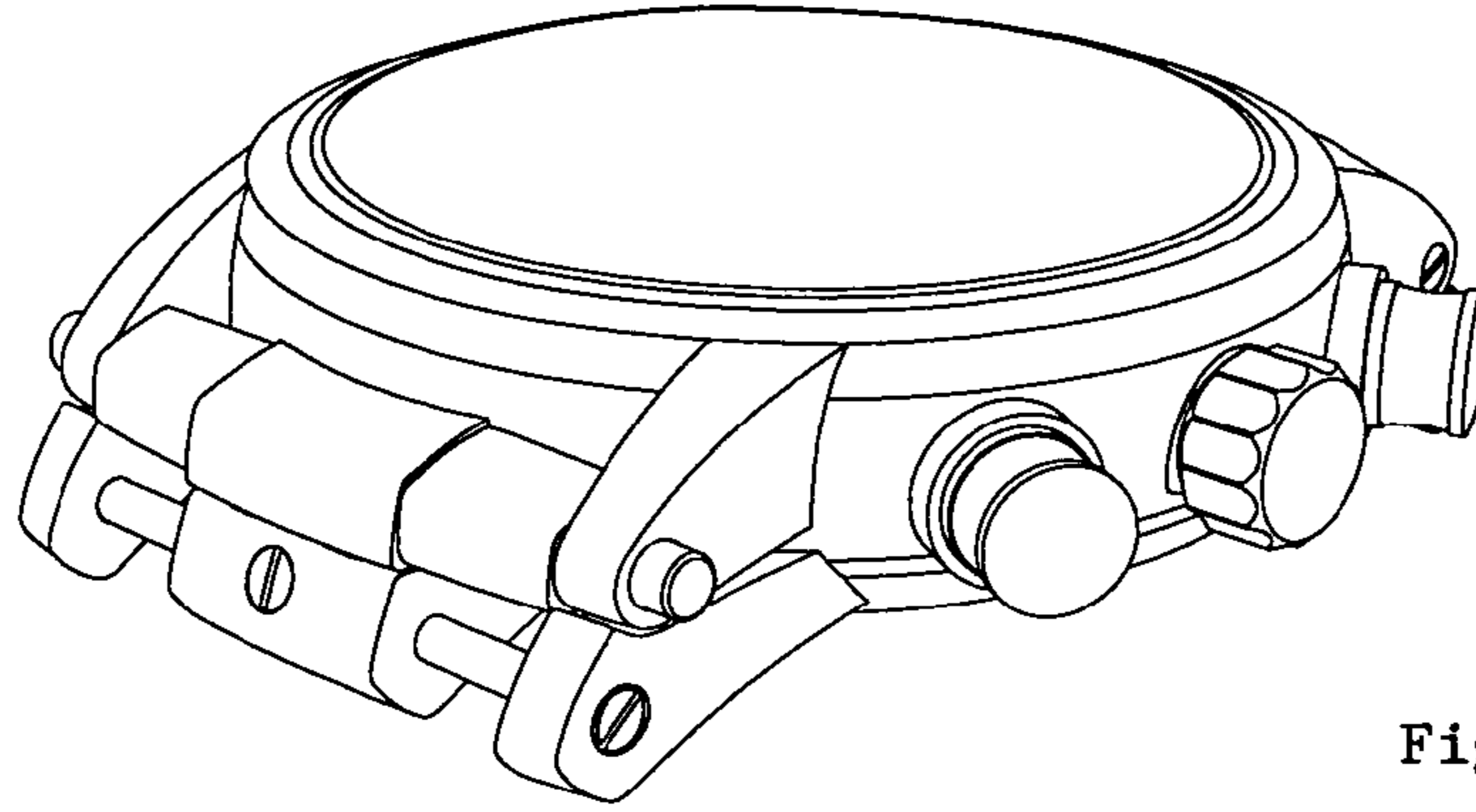


Fig. 1

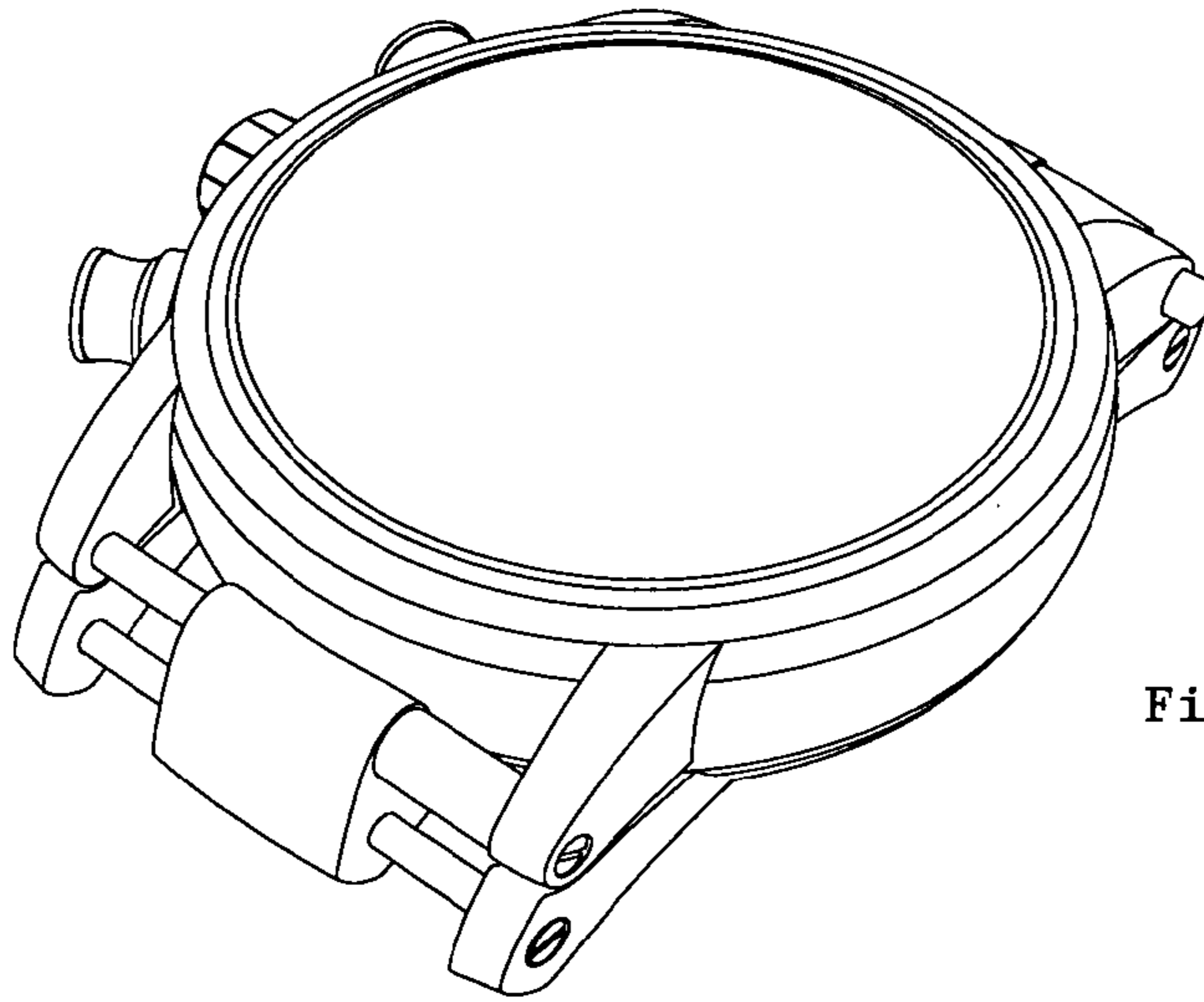


Fig. 2

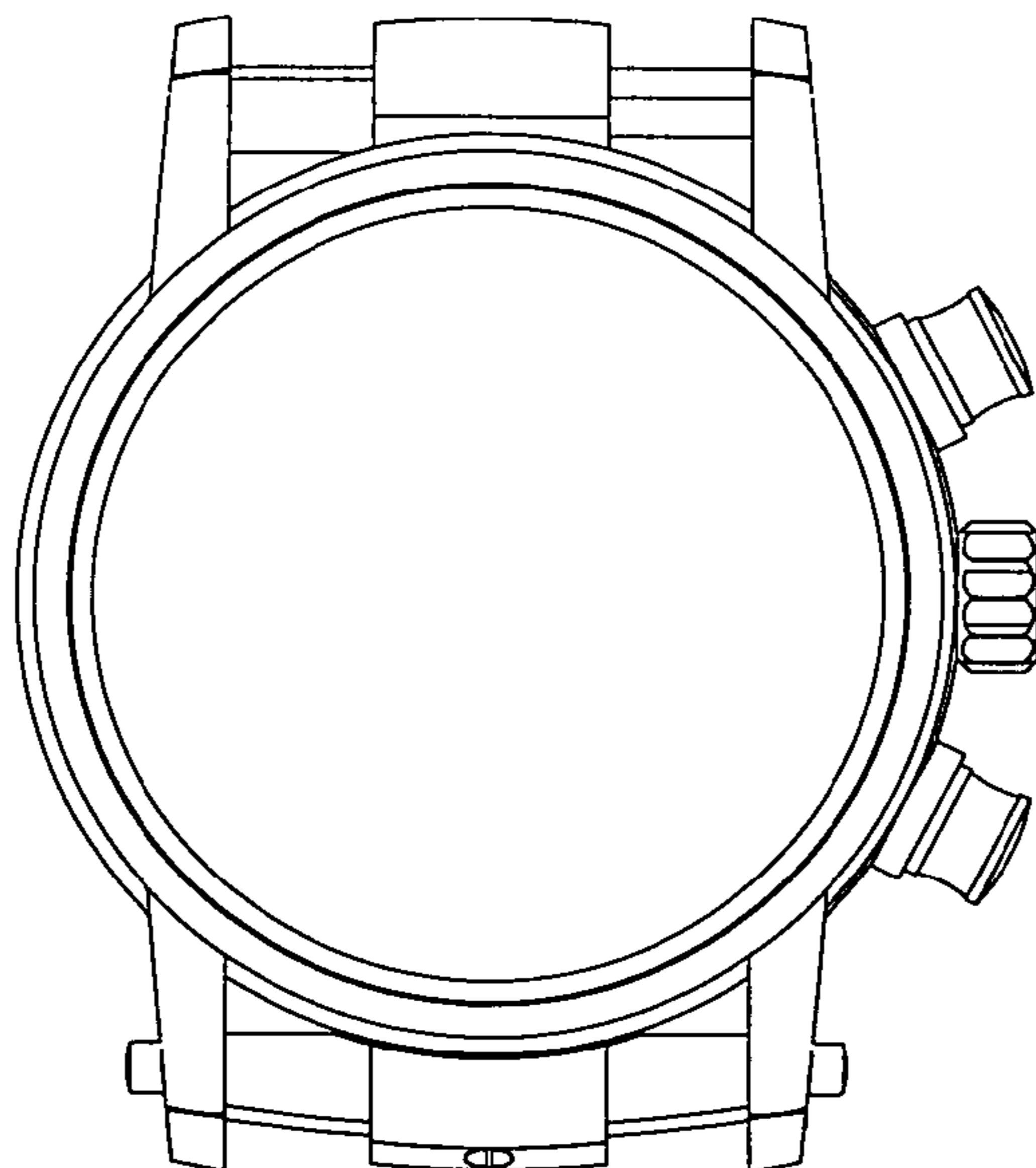


Fig. 3

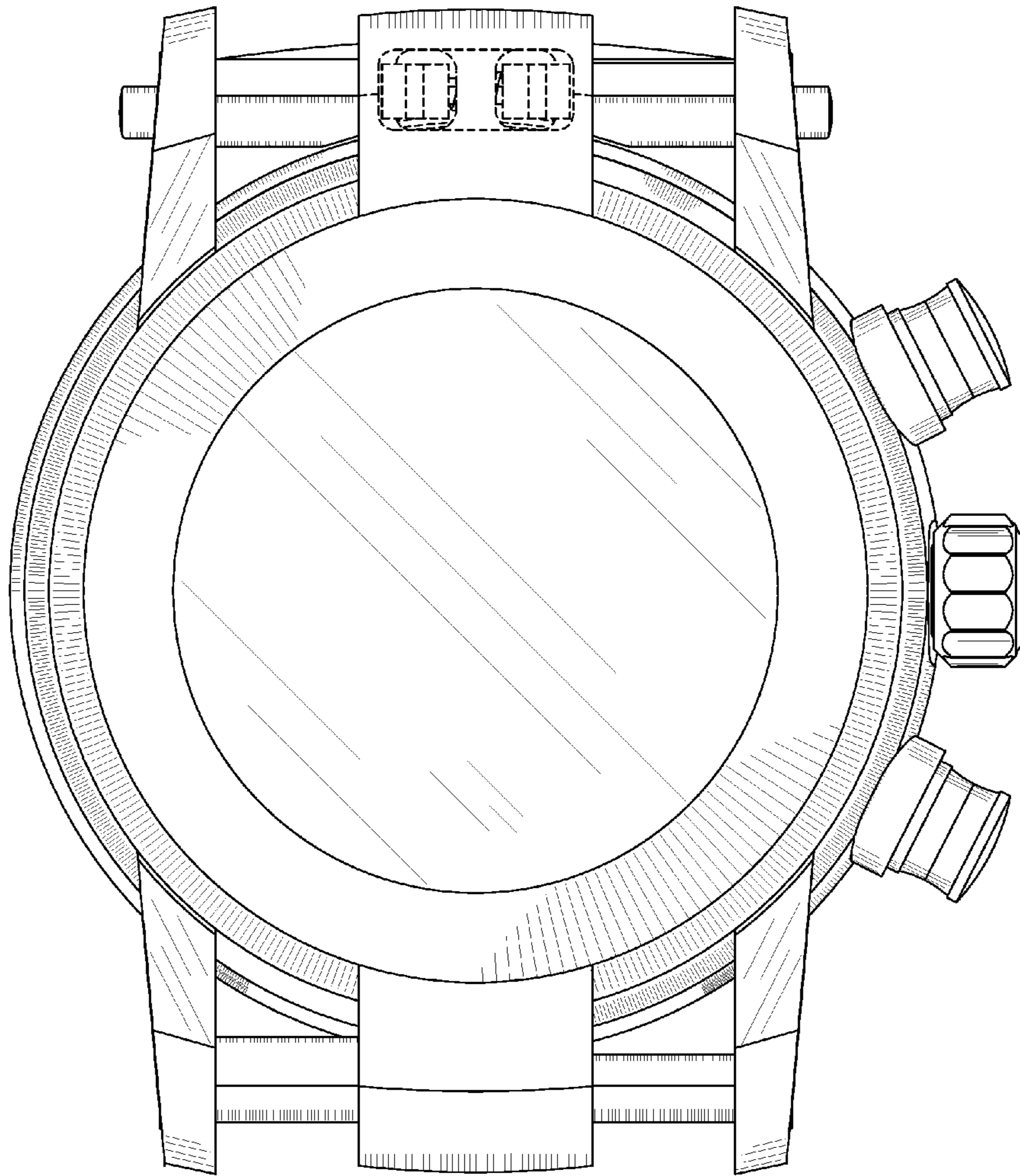


FIG. 4

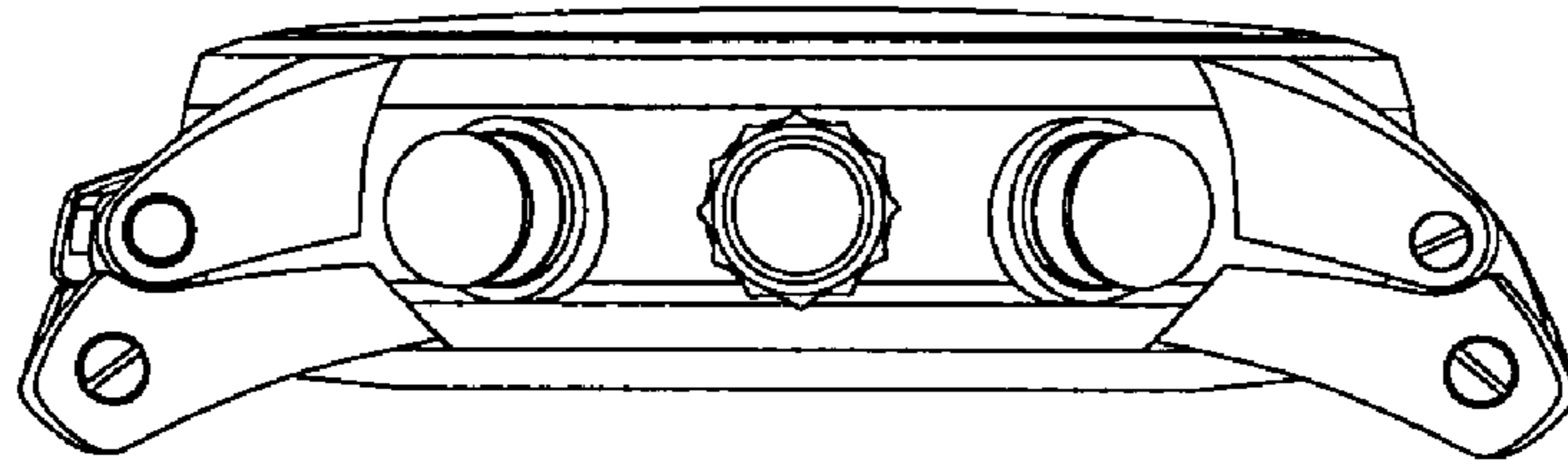


Fig. 5

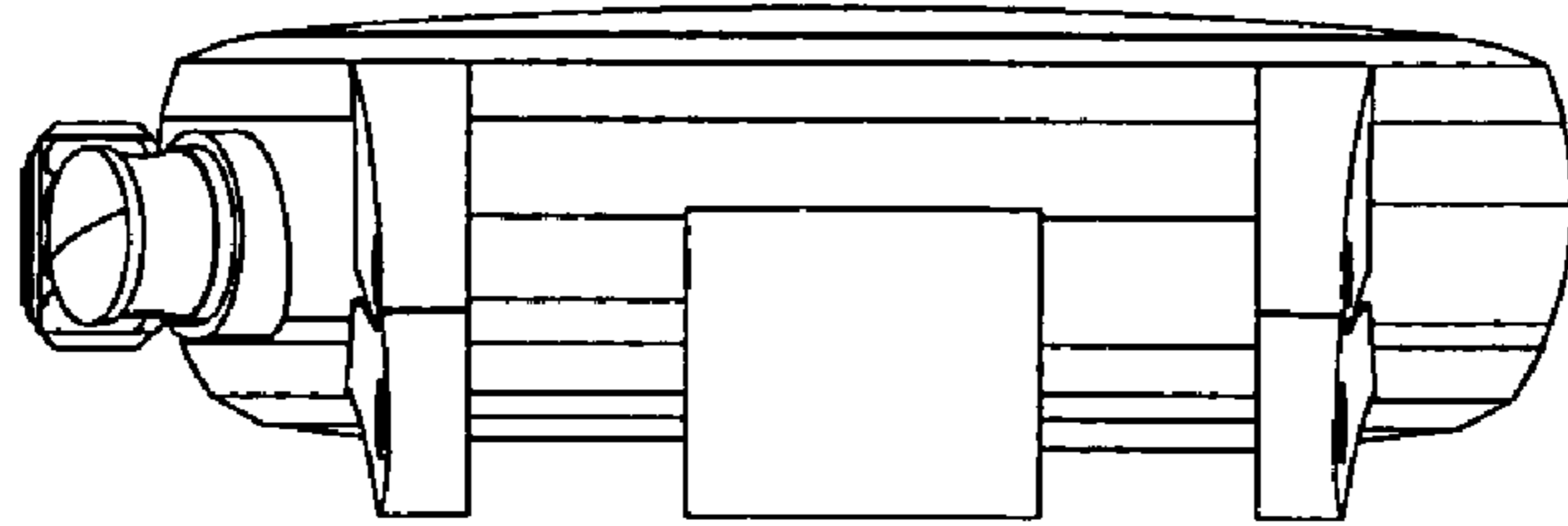


Fig. 6

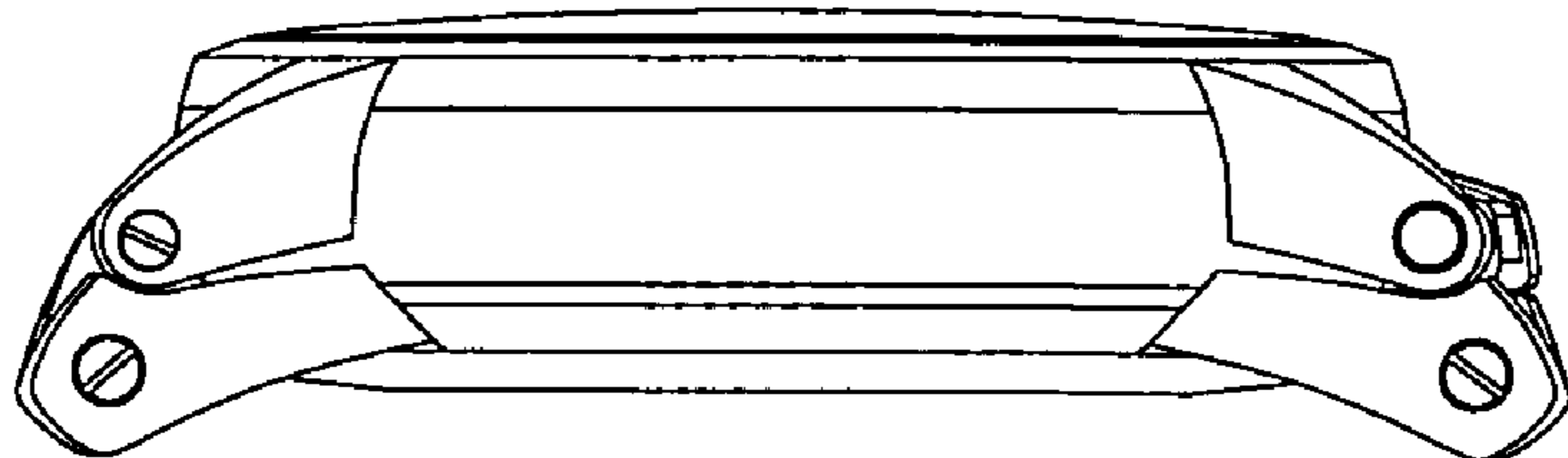


Fig. 7

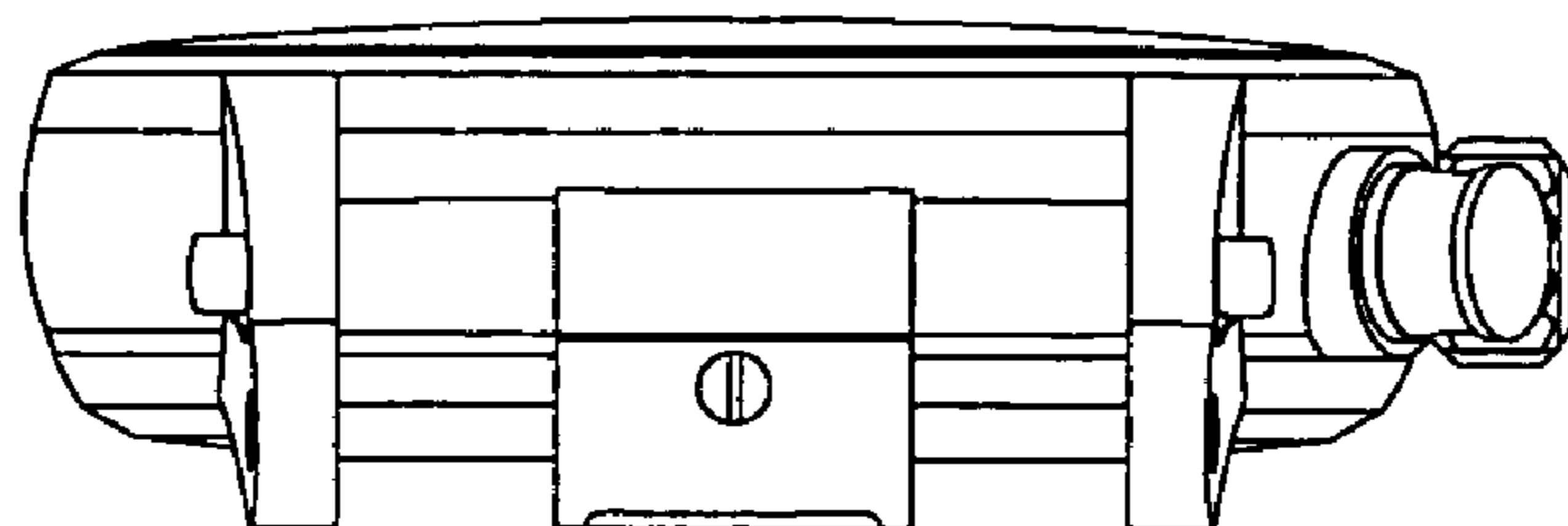


Fig. 8