



US00D656411S

(12) **United States Design Patent**  
**Franchini**

(10) **Patent No.:** **US D656,411 S**  
(45) **Date of Patent:** **\*\* Mar. 27, 2012**

(54) **PACKAGING FOR DRIPPING IRRIGATOR FOR POTTED PLANTS**

(75) Inventor: **Gaetano Franchini**, Fiume Veneto (IT)

(73) Assignee: **Claber S.p.A.**, Fiume Veneto (PN) (IT)

(\*\*) Term: **14 Years**

(21) Appl. No.: **29/347,841**

(22) Filed: **Jun. 21, 2010**

(30) **Foreign Application Priority Data**

Dec. 21, 2009 (EM) ..... 001650359

(51) **LOC (9) Cl.** ..... **09-03**

(52) **U.S. Cl.** ..... **D9/721; D9/418**

(58) **Field of Classification Search** ..... D9/414-418, D9/420-423, 430-433, 715, 721; 229/406, 229/902-904, 906, 407, 110; D6/470, 397, D6/441; 206/315.9, 485, 521.1, 539, 564, 206/541, 546, 588, 766, 779, 822; 47/48.5, 47/79; 239/379; 220/23.8, 23.83, 315, 324, 220/326, 367, 556, 4.21, 4.23, 835, 839; D7/357, 629, 602, 553.1-553.8, 538, 591, D7/615; D8/1, 2

See application file for complete search history.

(56) **References Cited**

U.S. PATENT DOCUMENTS

D353,872	S	*	12/1994	Allman	.....	D23/213
6,112,456	A	*	9/2000	Rummins	.....	47/48.5
D454,067	S	*	3/2002	Schoening et al.	.....	D9/721
D475,296	S	*	6/2003	Lee	.....	D9/739
6,598,338	B2	*	7/2003	Buss et al.	.....	47/48.5
7,644,537	B1	*	1/2010	Hui	.....	47/48.5
7,685,766	B2	*	3/2010	Amsellem	.....	47/48.5
D644,074	S	*	8/2011	Franchini	.....	D8/1

\* cited by examiner

*Primary Examiner* — Thomas Johannes

(74) *Attorney, Agent, or Firm* — Jacobson Holman PLLC

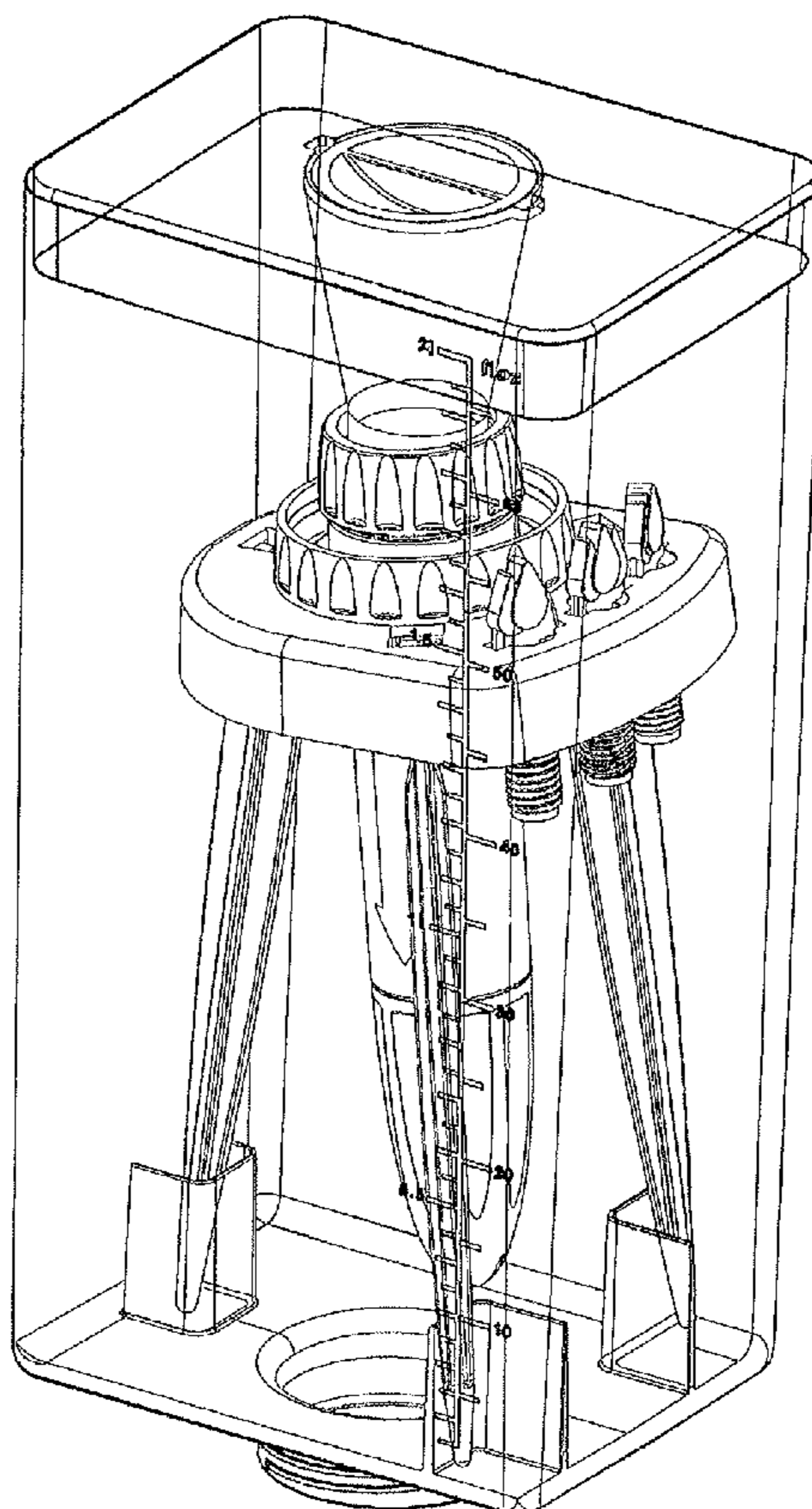
(57) **CLAIM**

I claim the ornamental design for packaging for dripping irrigator for potted plants, as shown and described.

**DESCRIPTION**

FIG. 1 shows perspective view of packaging for dripping irrigator for potted plants showing my new design; FIG. 2 shows a front view thereof; FIG. 3 shows a back view thereof; FIG. 4 shows a first lateral view thereof; FIG. 5 shows a second lateral view thereof; FIG. 6 shows a top view thereof; and, FIG. 7 shows a bottom view thereof.

**1 Claim, 7 Drawing Sheets**



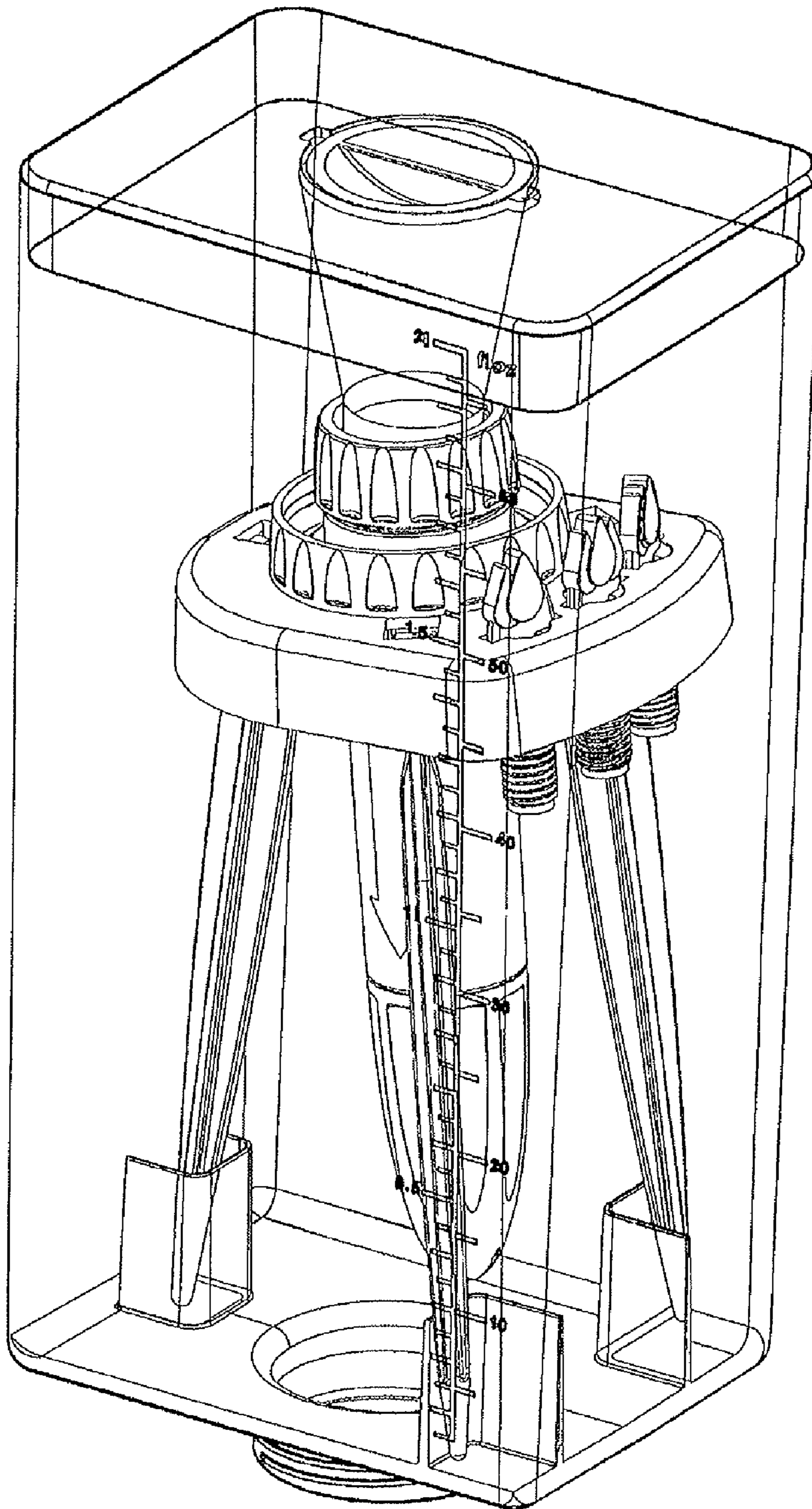


Fig. 1

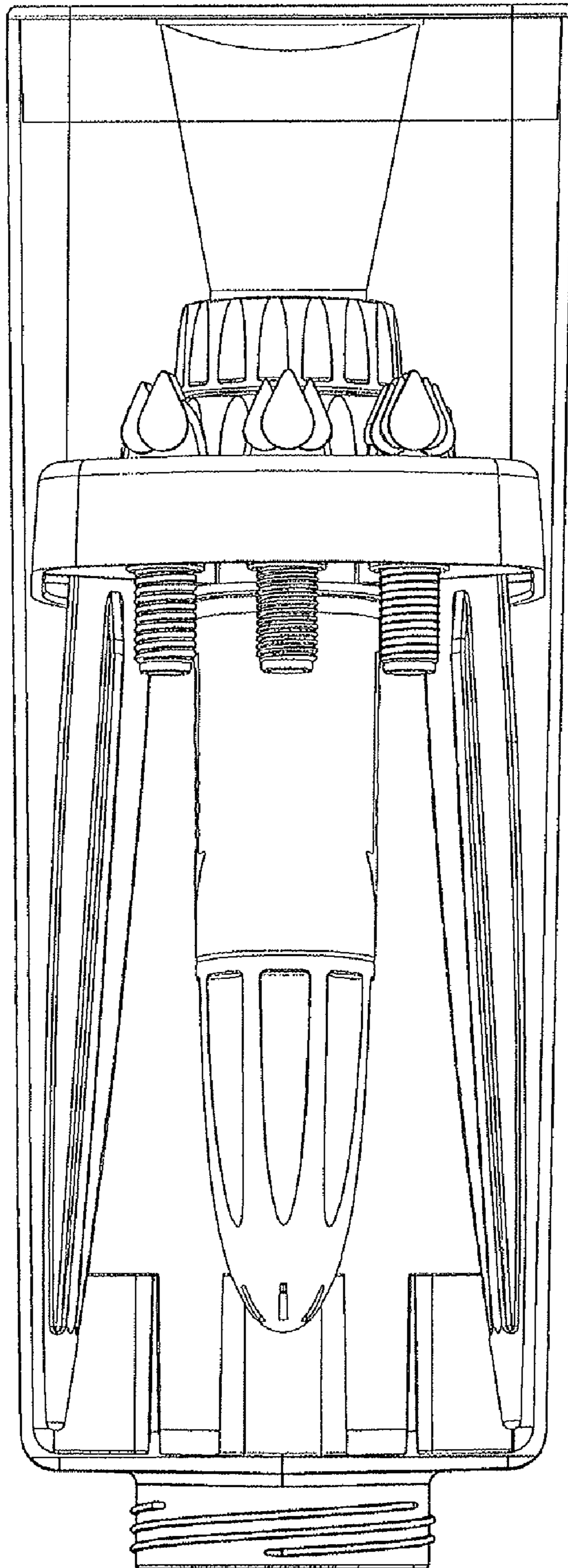


Fig.2

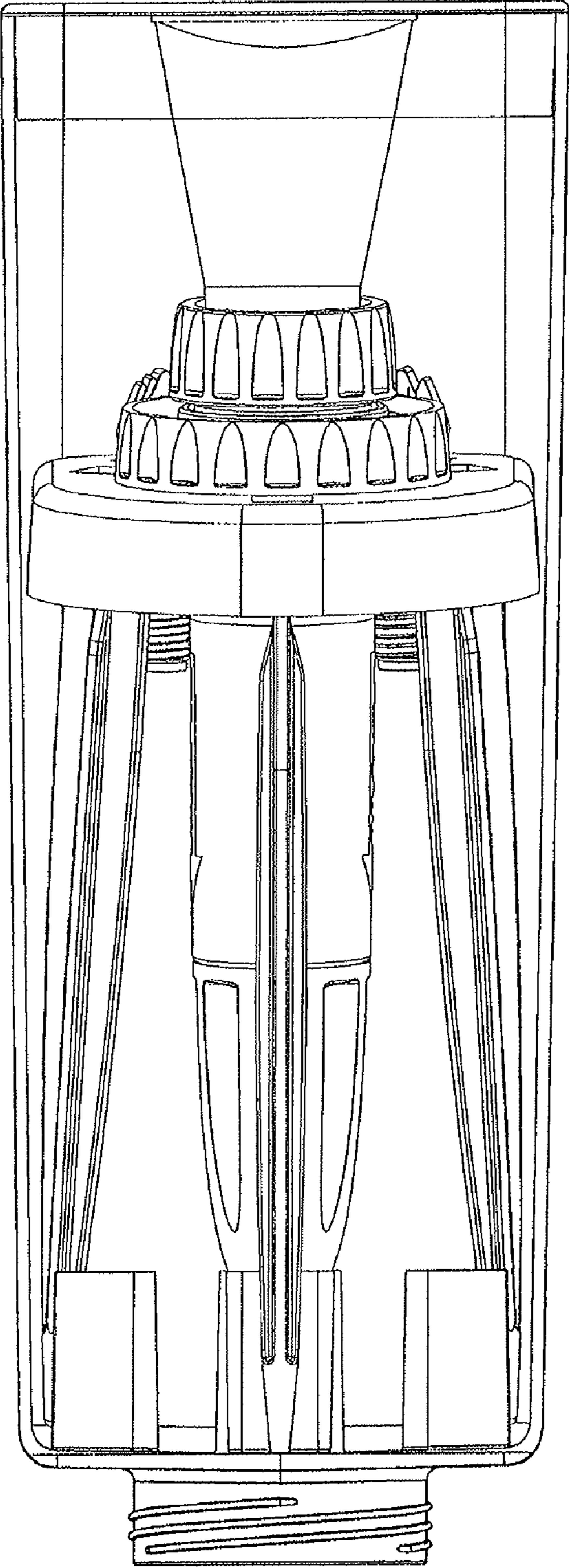


Fig. 3



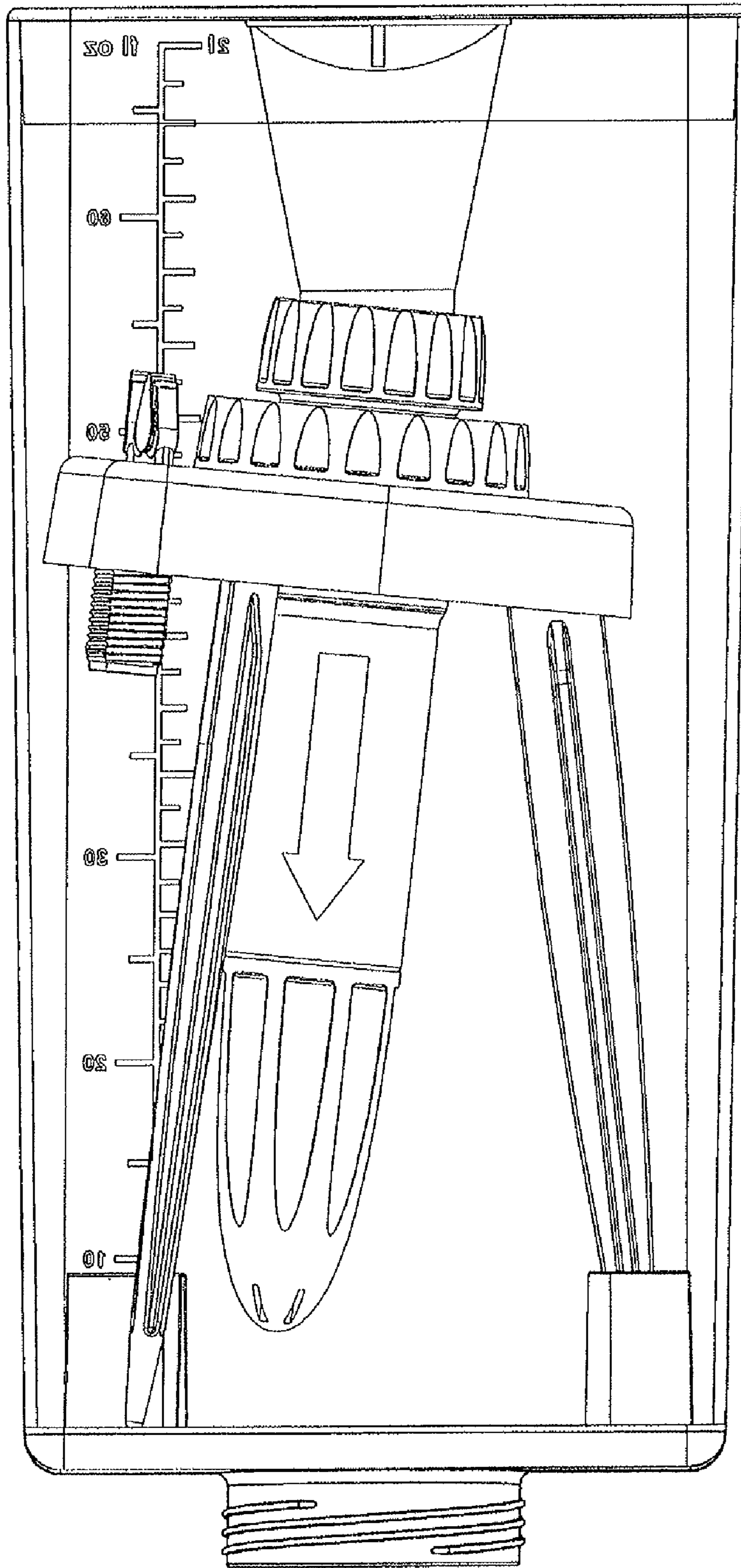


Fig. 4

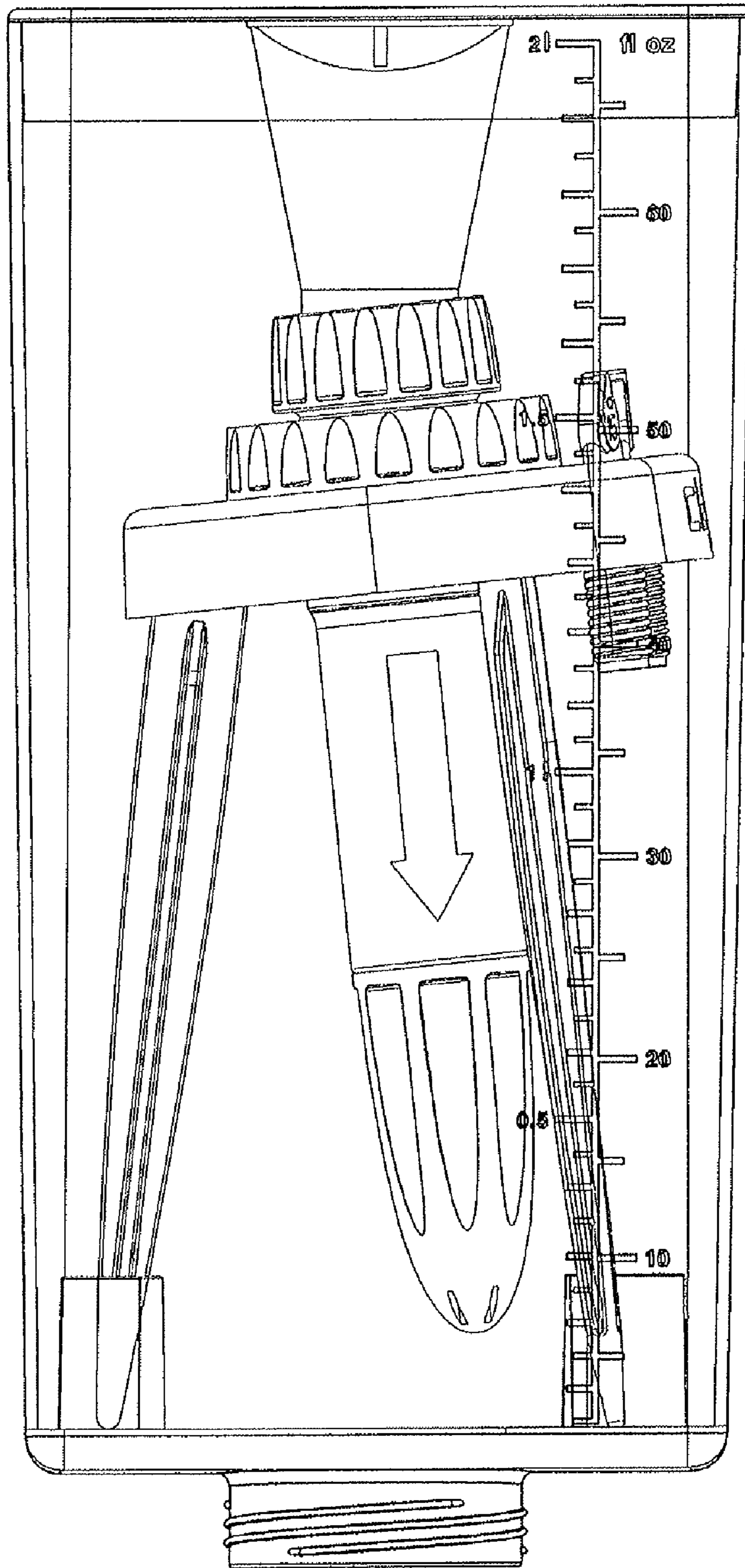


Fig. 5

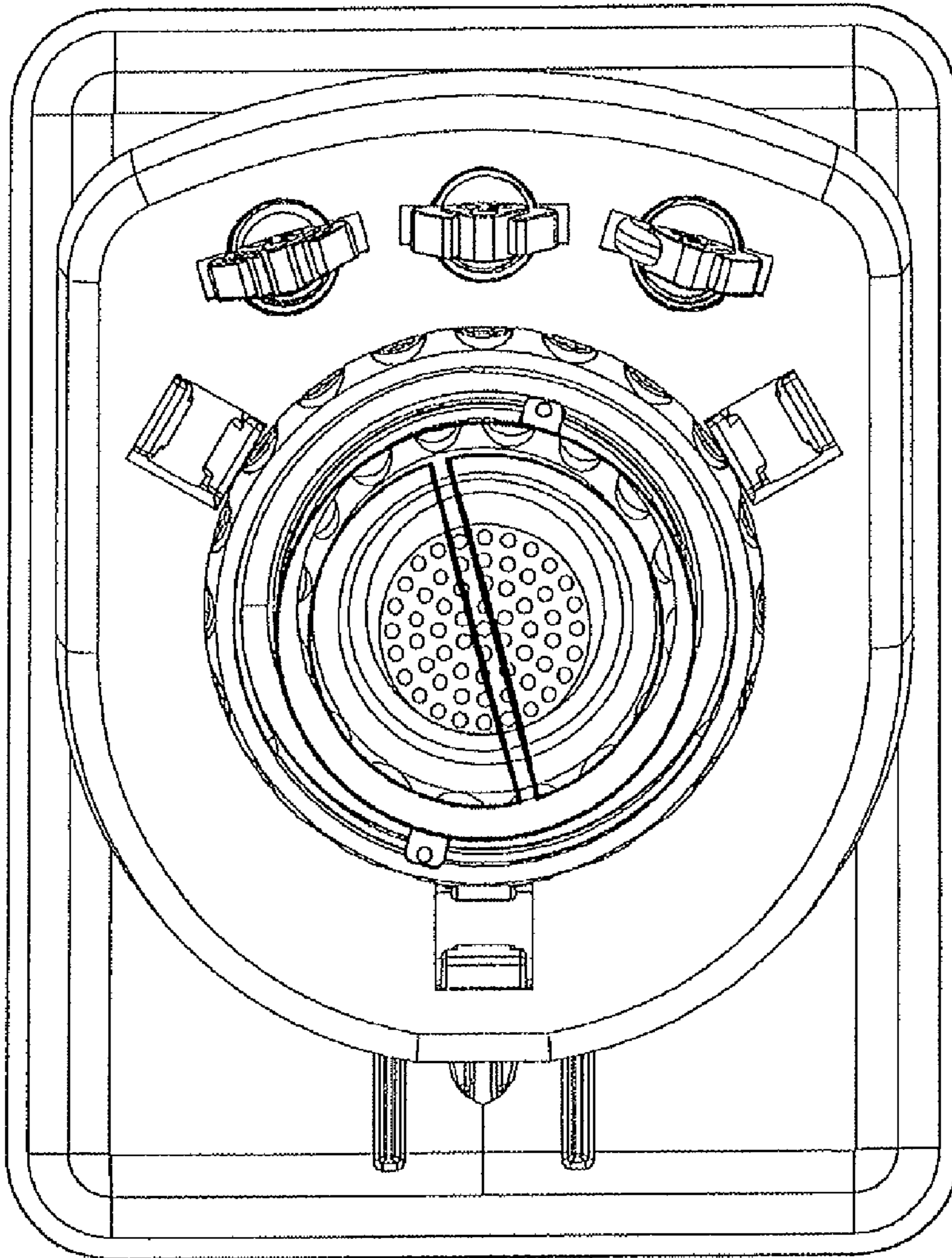


Fig. 6

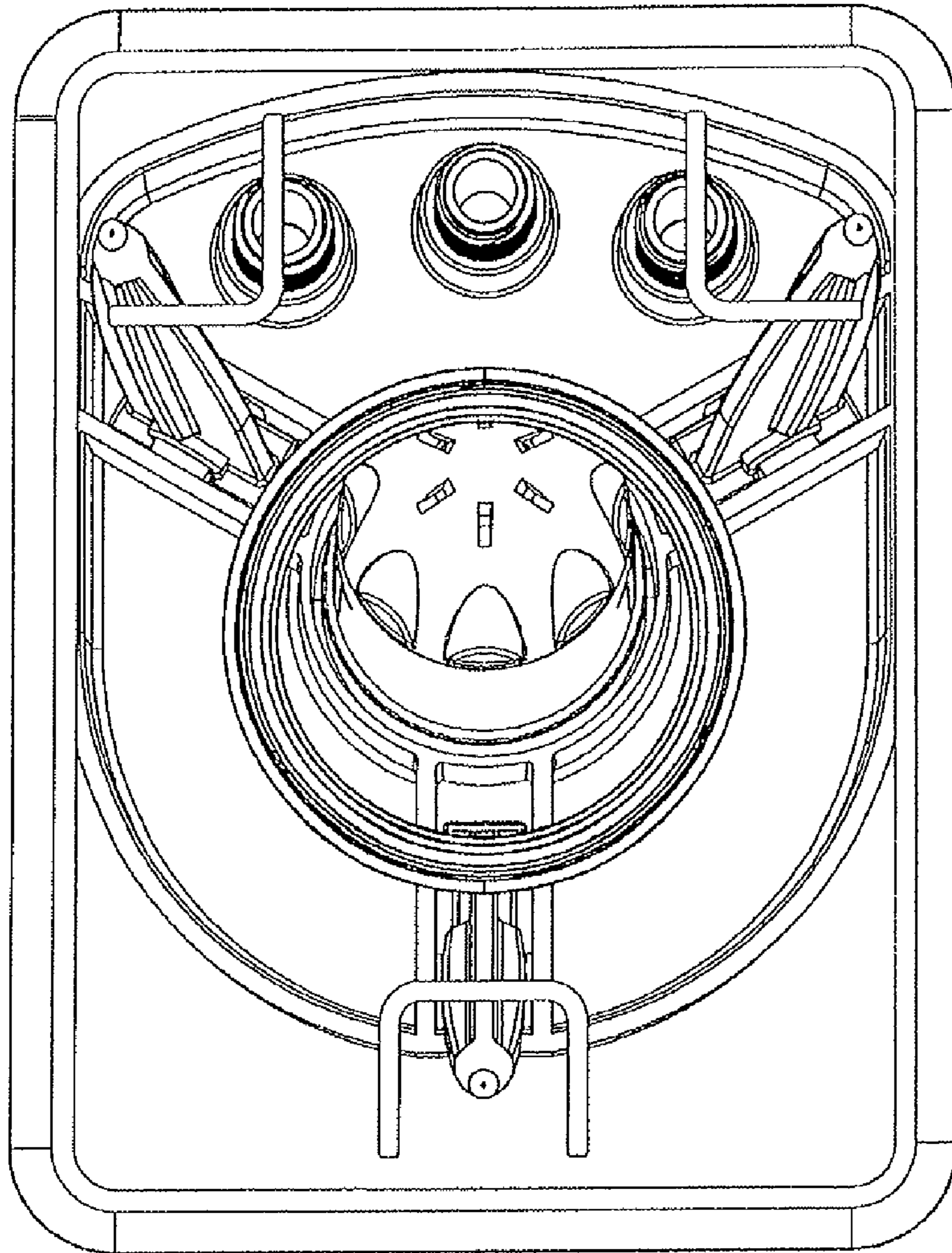


Fig. 7