



US00D656405S

(12) **United States Design Patent**
Byron

(10) **Patent No.:** **US D656,405 S**
(45) **Date of Patent:** **** Mar. 27, 2012**

(54) **MILK BOTTLE**

(76) Inventor: **Kent Byron, Lafayette, LA (US)**

(**) Term: **14 Years**

(21) Appl. No.: **29/366,351**

(22) Filed: **Jul. 23, 2010**

(51) **LOC (9) Cl.** **09-01**

(52) **U.S. Cl.** **D9/560**

(58) **Field of Classification Search** D9/500,
D9/503, 516, 529-530, 541-544, 546, 559-560,
D9/563, 571-575; 215/381-385; D7/509-511
See application file for complete search history.

(56) **References Cited**

U.S. PATENT DOCUMENTS

D29,673 S *	11/1898	Nightengale	D9/544
D30,758 S *	5/1899	Wipf	D9/546
1,462,330 A *	7/1923	Dunn	215/370
D99,763 S *	5/1936	Sansby	D9/500
D139,331 S *	10/1944	Teunisz	D9/560
3,129,528 A *	4/1964	Gausewitz	215/385 X
D205,797 S *	9/1966	Lee	D9/541
D210,353 S *	3/1968	Platte	D9/541
D212,672 S *	11/1968	Weckman	D9/542
D236,587 S *	9/1975	Kretz	D9/541

D313,176 S *	12/1990	Okuda et al.	D9/560 X
D413,265 S *	8/1999	Hestehave et al.	D9/560 X
D422,915 S *	4/2000	Hestehave et al.	D9/500
D431,468 S *	10/2000	Potts	D9/500
D481,640 S *	11/2003	Biesecker	D9/573 X
D491,068 S *	6/2004	Heliste et al.	D9/574 X
D491,069 S *	6/2004	Heliste et al.	D9/574 X
D503,620 S *	4/2005	Taylor	D9/560 X
D511,943 S *	11/2005	Betras	D7/624.2
D512,276 S *	12/2005	Betras	D7/624.2
D542,668 S *	5/2007	Arthur et al.	D9/560
D569,260 S *	5/2008	Heisner	D9/560
D569,261 S *	5/2008	Sequeira	D9/560
D624,823 S *	10/2010	Brown	D9/544

* cited by examiner

Primary Examiner — Carol P Rademaker

(74) *Attorney, Agent, or Firm* — Jones Walker

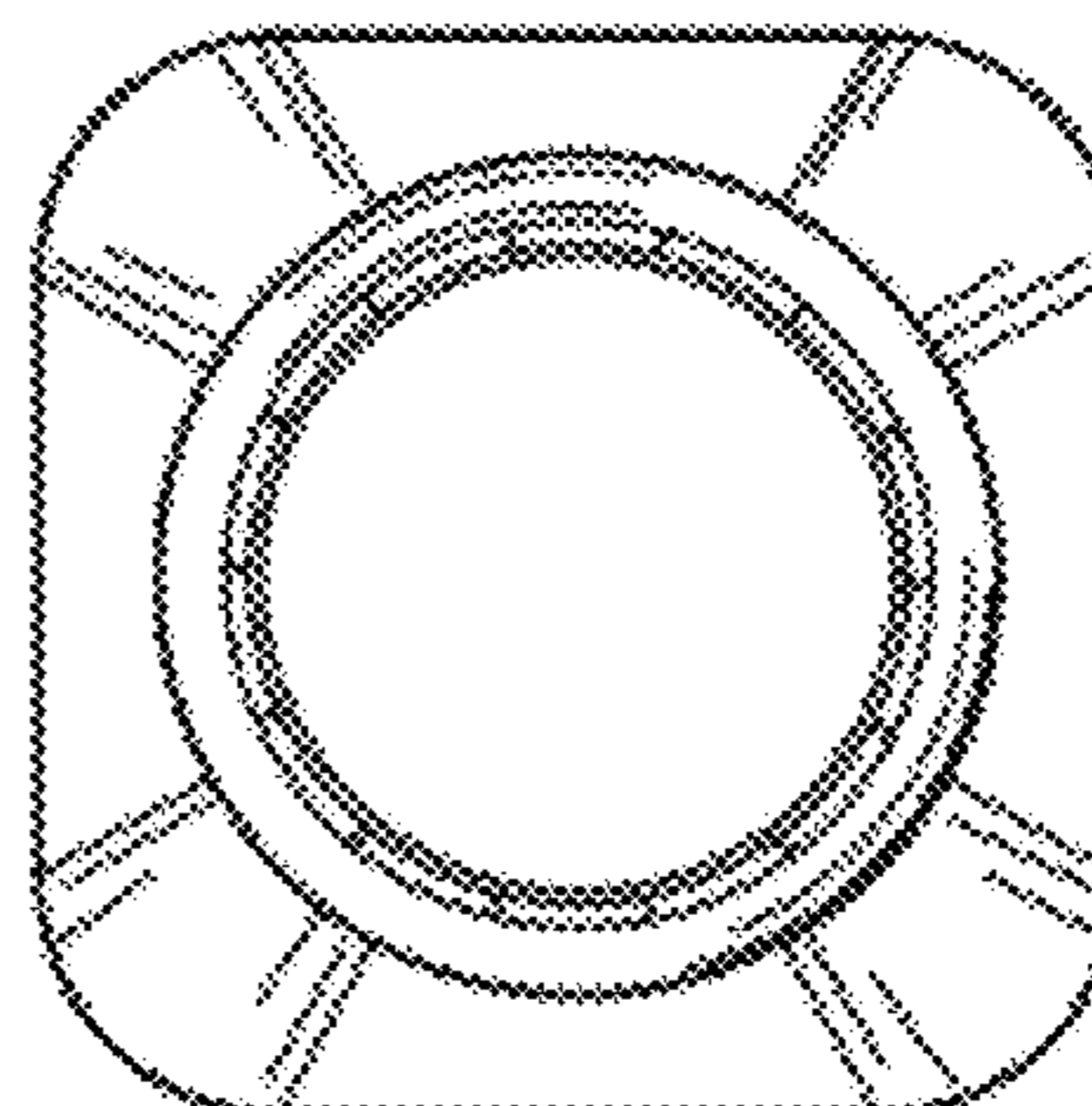
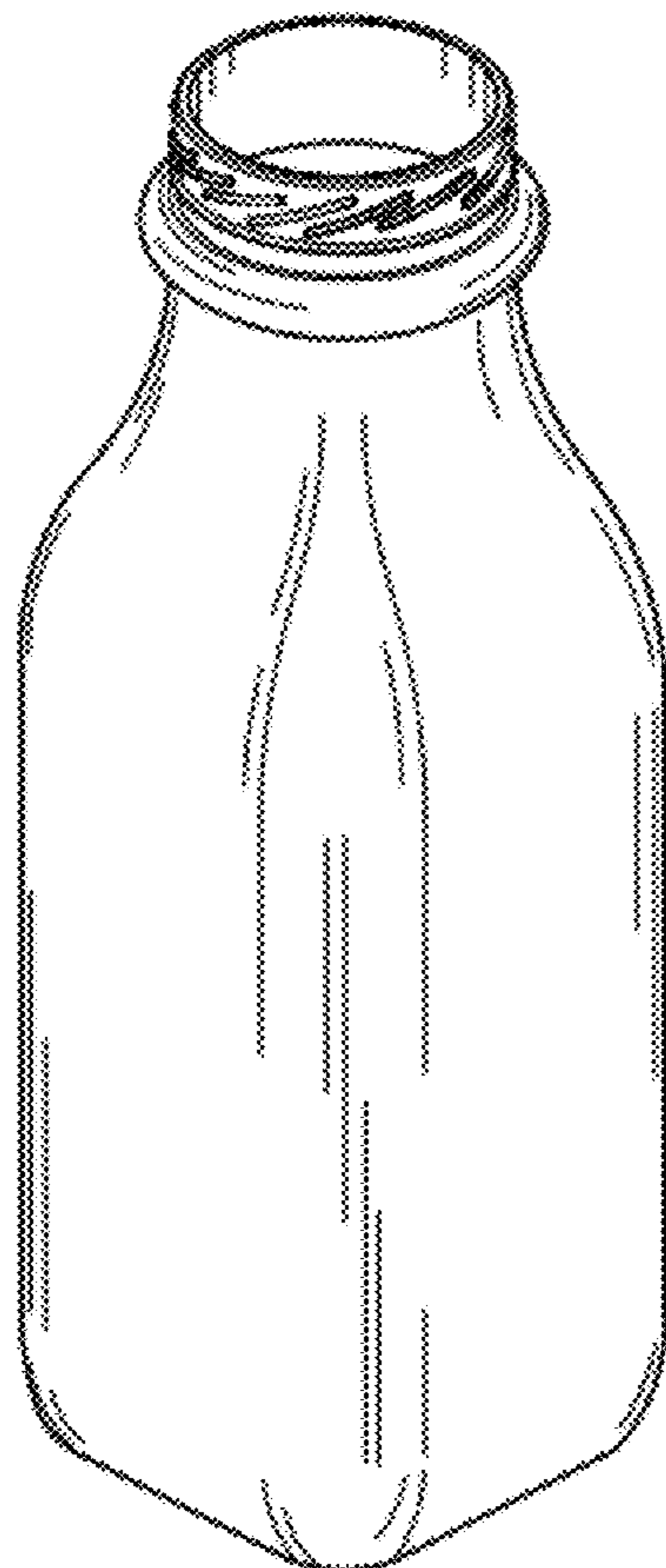
(57) **CLAIM**

I claim the ornamental design for a milk bottle, as shown and described.

DESCRIPTION

FIG. 1 is a top, front, right side perspective view of a milk bottle showing my new design; FIG. 2 is a left side elevational view thereof; and, FIG. 3 is a top plan view thereof.

1 Claim, 1 Drawing Sheet



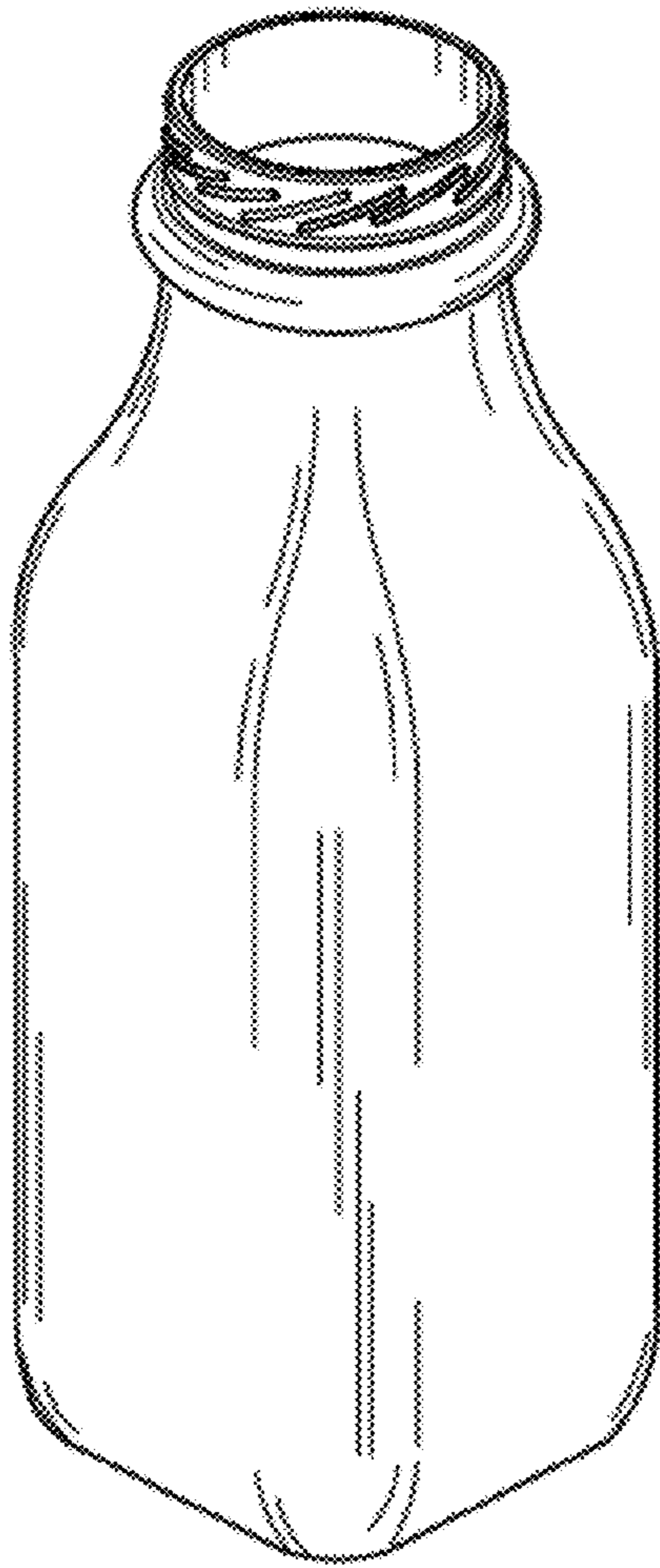


Fig. 1

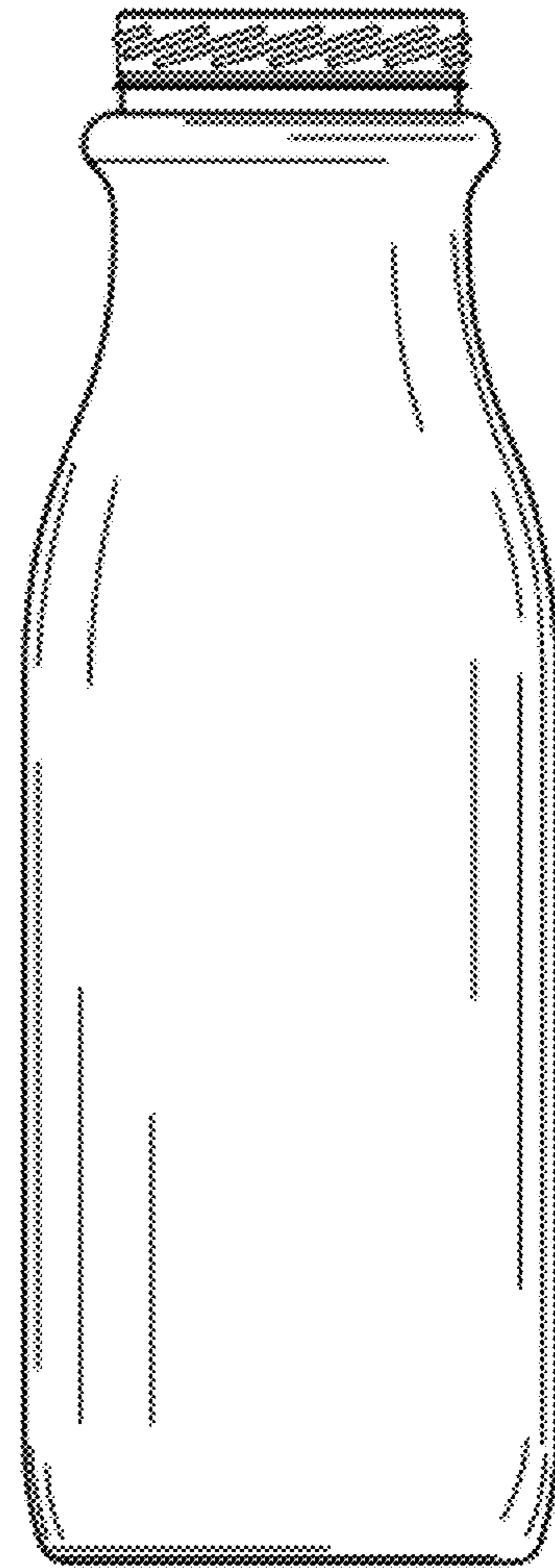


Fig. 2

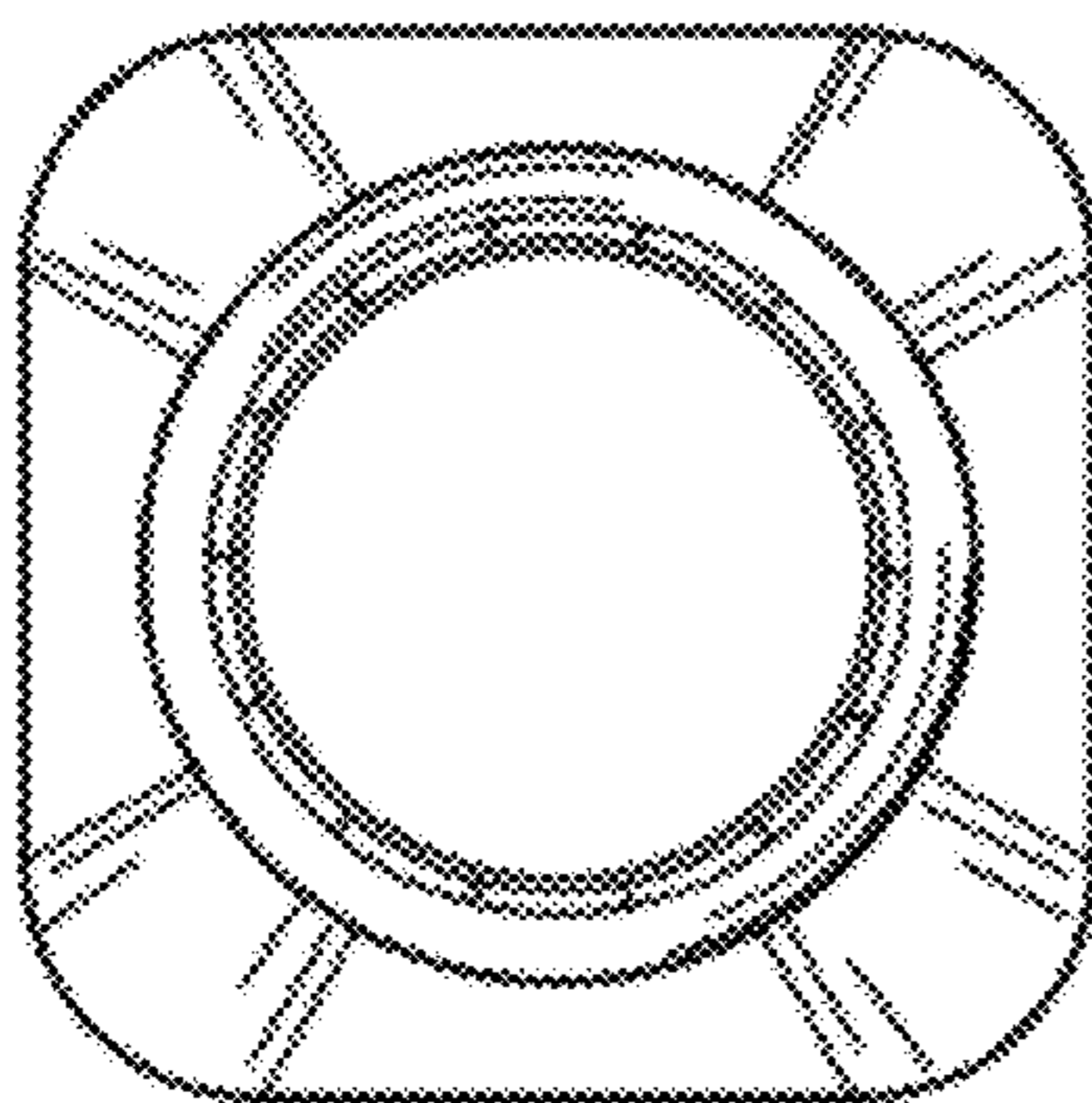


Fig. 3