

US00D656401S

(12) **United States Design Patent**
Hickey

(10) **Patent No.:** **US D656,401 S**

(45) **Date of Patent:** **** Mar. 27, 2012**

(54) **CONTAINER**

(76) Inventor: **James R. Hickey**, Ashland, MA (US)

(**) Term: **14 Years**

(21) Appl. No.: **29/396,590**

(22) Filed: **Jul. 1, 2011**

(51) **LOC (9) Cl.** **09-01**

(52) **U.S. Cl.** **D9/527; D9/533; D9/543**

(58) **Field of Classification Search** D9/516,
D9/523, 526-528, 530, 531, 533, 541, 543,
D9/559, 560, 565, 572, 575; 215/381-385;
220/660, 669, 679, 752; D23/211.1, 211.2

See application file for complete search history.

(56) **References Cited**

U.S. PATENT DOCUMENTS

D339,066 S * 9/1993 Brown et al. D9/528
D433,635 S * 11/2000 Chrisco et al. D9/527
D435,451 S * 12/2000 Giugiaro D9/528

D496,864 S * 10/2004 Reynolds D9/528
D589,351 S * 3/2009 Caldwell D9/531
D595,586 S * 7/2009 Kissinger et al. D9/528

* cited by examiner

Primary Examiner — Stella Reid

Assistant Examiner — Keli L Hill

(74) *Attorney, Agent, or Firm* — Chapin IP Law, LLC

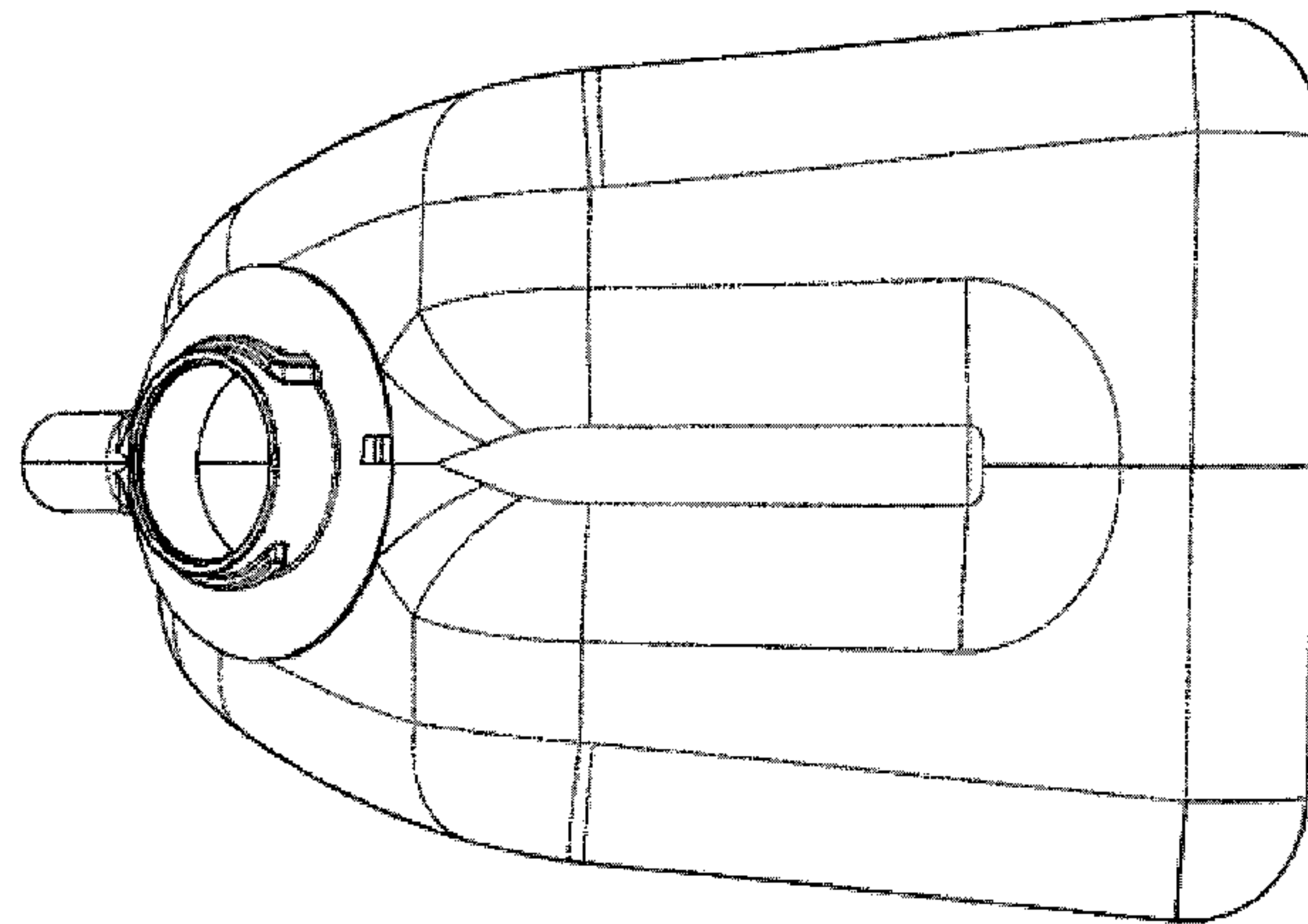
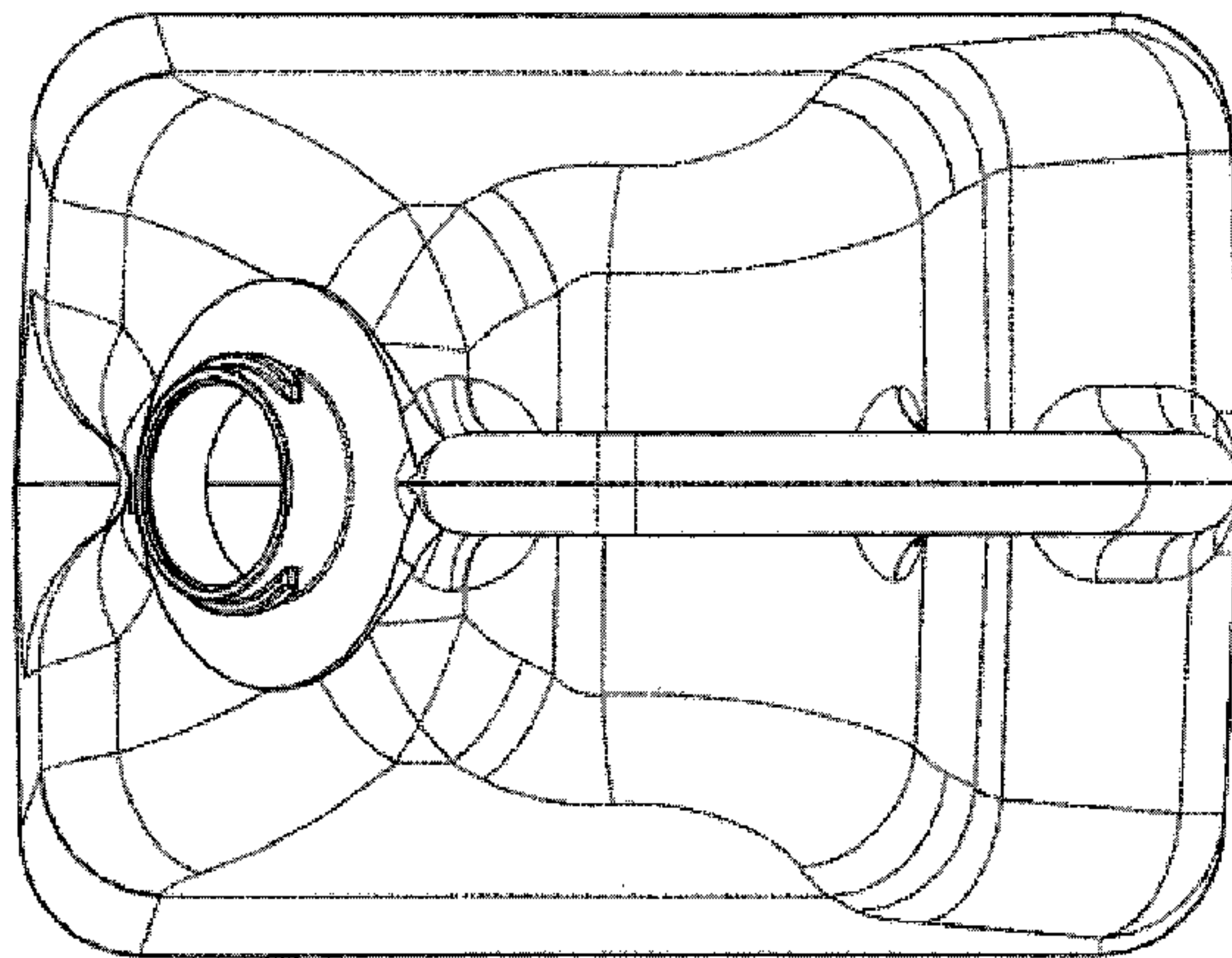
(57) **CLAIM**

The ornamental design for a container, as shown and described.

DESCRIPTION

FIG. 1 is a top view of a new design for a container.
FIG. 2 is a back view of a new design for a container.
FIG. 3 is a frontal view of a new design for a container; and,
FIG. 4 is a side view of a new design for a container.

1 Claim, 4 Drawing Sheets



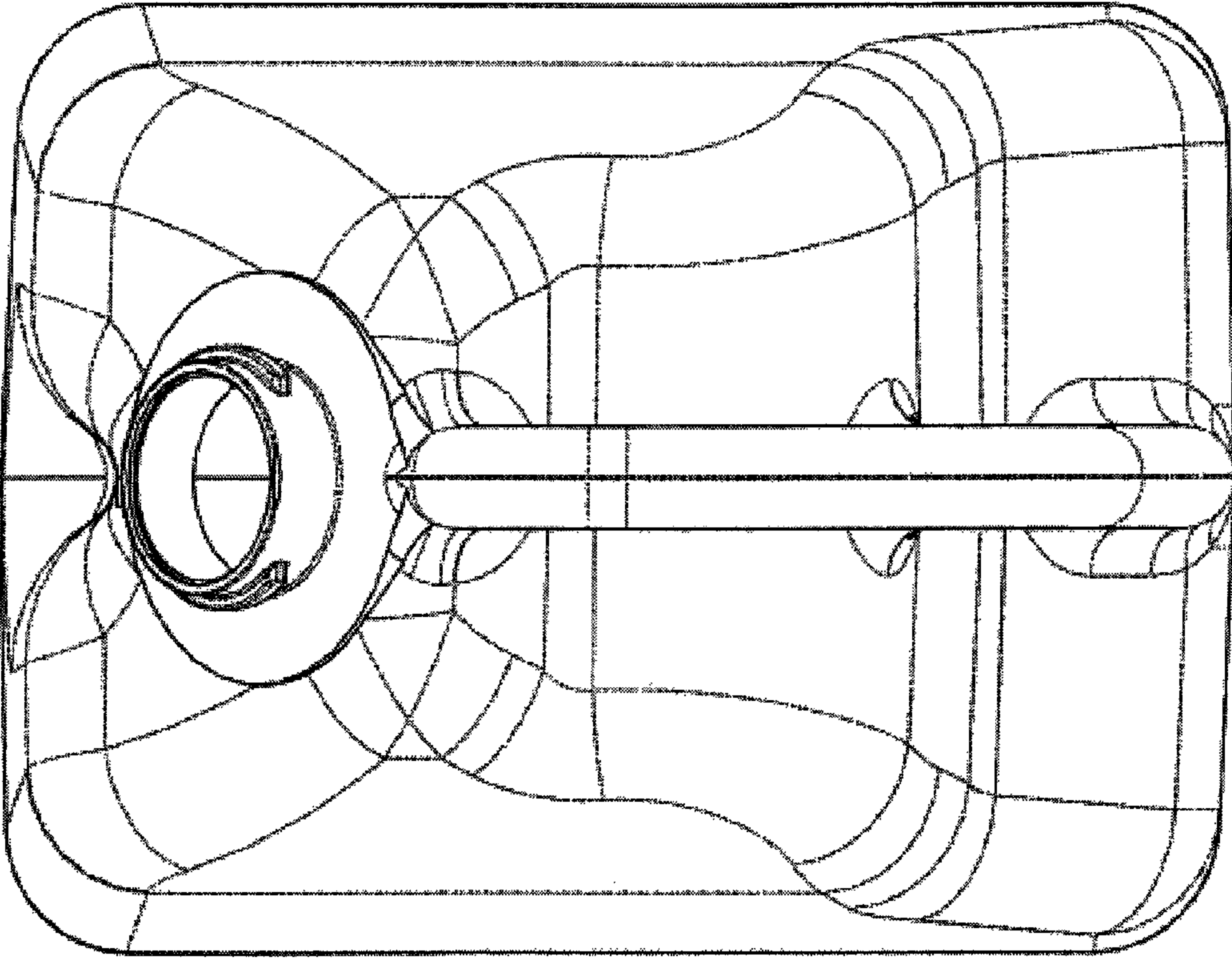


FIG. 1

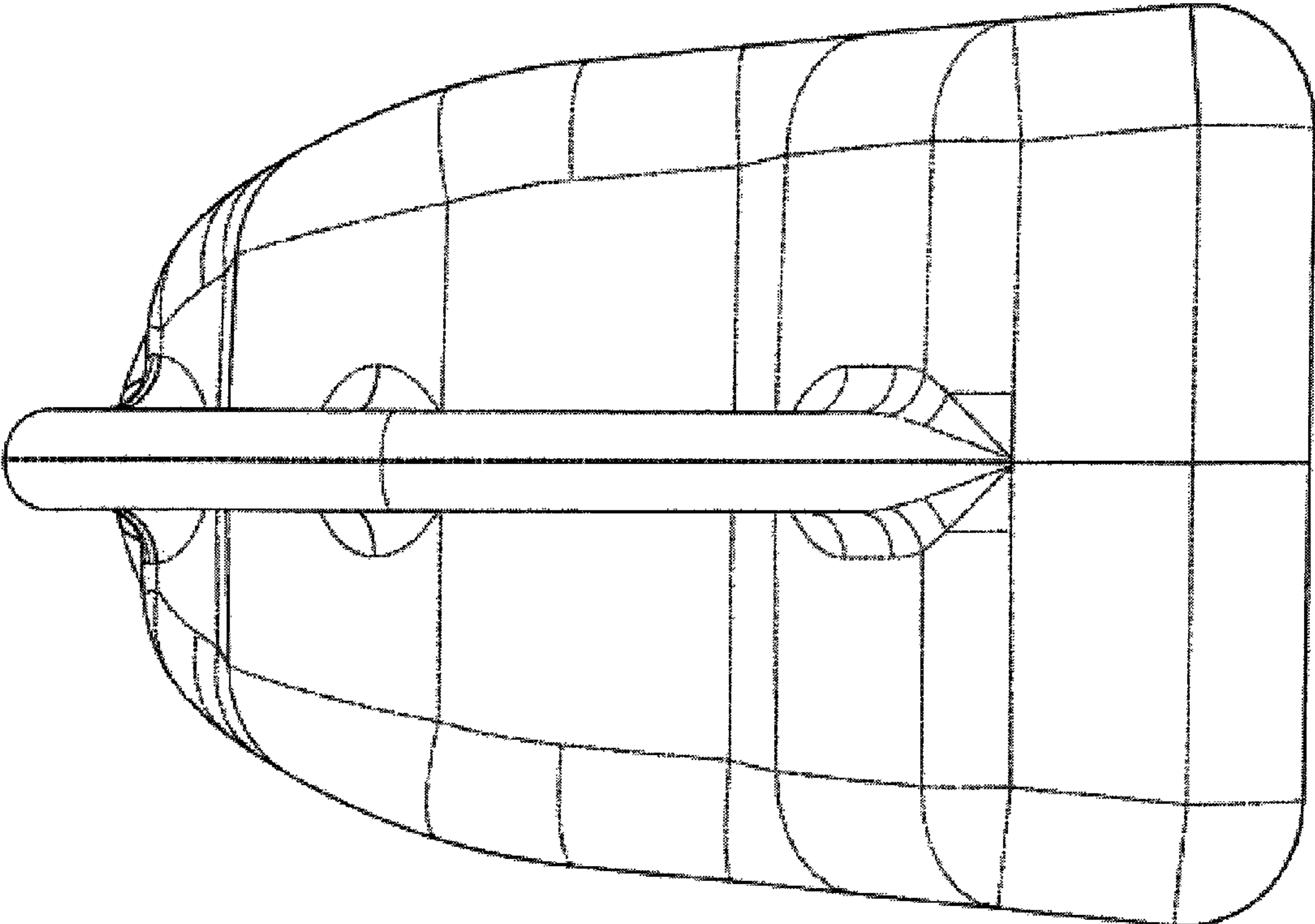


FIG. 2

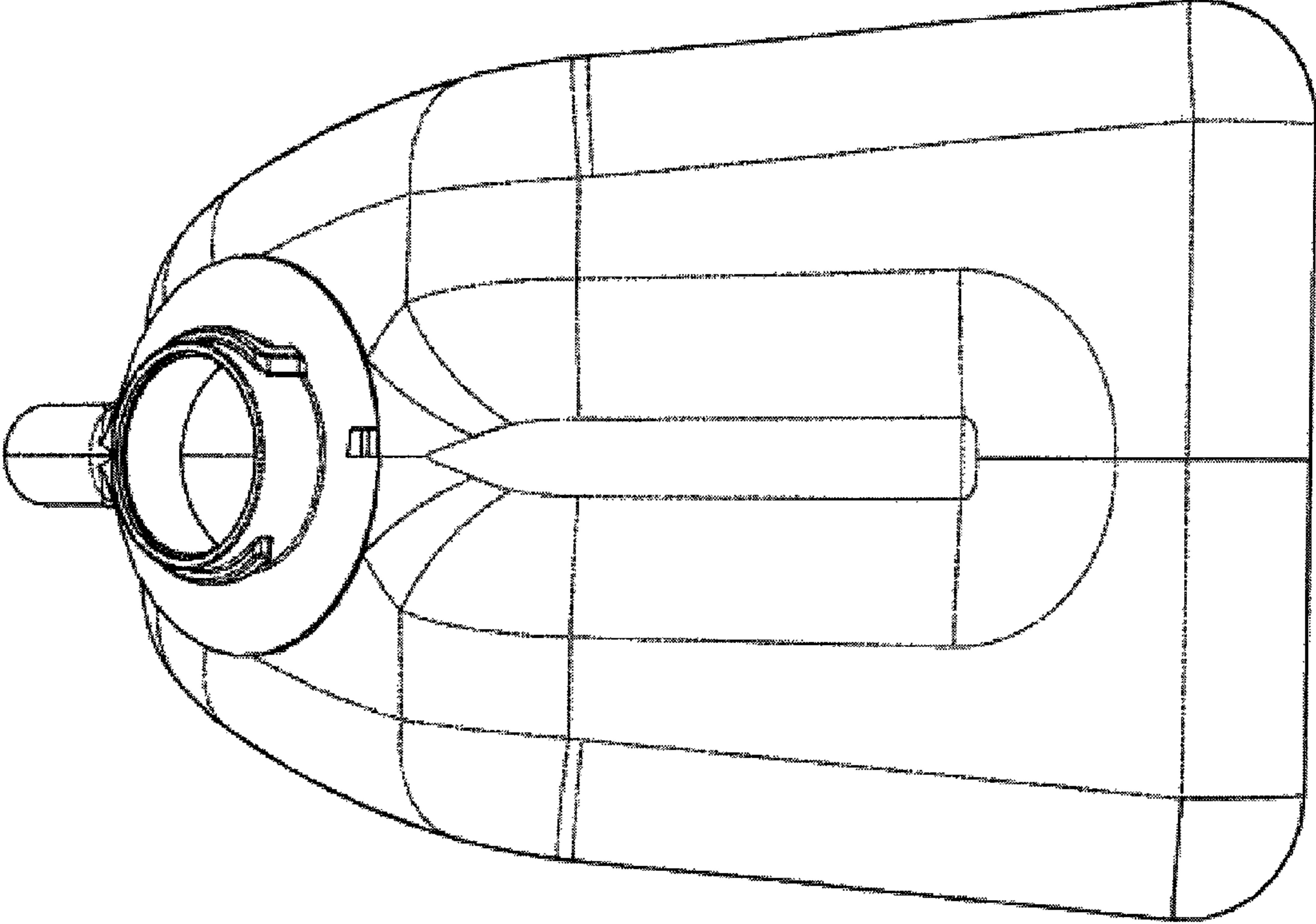


FIG. 3

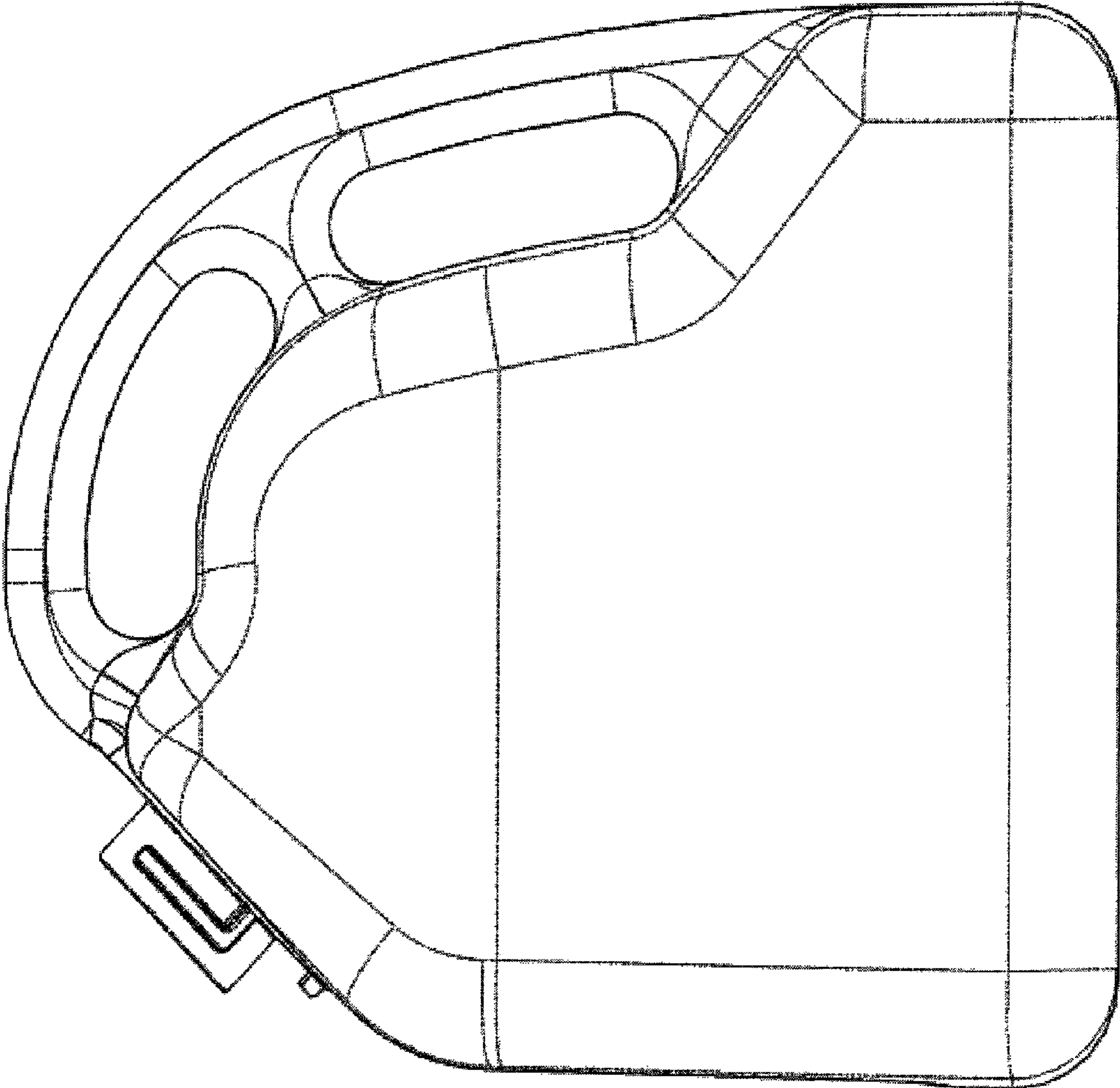


FIG. 4