

US00D656400S

(12) **United States Design Patent**
Bohache et al.

(10) **Patent No.:** **US D656,400 S**

(45) **Date of Patent:** **** *Mar. 27, 2012**

(54) **PACKAGING CONTAINER HAVING SURFACE ORNAMENTATION**

(75) Inventors: **Joseph Bohache**, Milford, OH (US);
Andrea Subler, West Chester, OH (US);
Aaron Burghard, Cincinnati, OH (US)

(73) Assignee: **The Procter and Gamble Company**,
Cincinnati, OH (US)

(*) Notice: This patent is subject to a terminal disclaimer.

(**) Term: **14 Years**

(21) Appl. No.: **29/354,435**

(22) Filed: **Jan. 25, 2010**

(51) **LOC (9) Cl.** **09-01**

(52) **U.S. Cl.** **D9/516**

(58) **Field of Classification Search** D20/11,
D20/19, 22-23, 27, 40; D9/550, 554, 563,
D9/567, 571, 414-516, 424, 433, 434, 457;
40/299.01, 306, 310-311; 283/56, 81; 229/100,
229/103.2, 103.3, 116.1, 87.18, 89, 406
See application file for complete search history.

(56) **References Cited**

U.S. PATENT DOCUMENTS

D110,869 S *	8/1938	Kovacs	D9/432
D391,481 S *	3/1998	Oxley	D9/432
D396,806 S *	8/1998	Burke et al.	D9/434
D419,443 S *	1/2000	Yonehara et al.	D9/432
D496,275 S *	9/2004	Hamuro et al.	D9/432
D541,657 S *	5/2007	Mongeon et	D9/516
D543,112 S *	5/2007	Bridgman et al.	D9/516
D566,545 S *	4/2008	Bone et al.	D9/432
D566,577 S *	4/2008	Norton et al.	D9/644
D567,080 S *	4/2008	Bone et al.	D9/432
D581,265 S *	11/2008	Rochel	D9/418
D587,111 S *	2/2009	Seol et al.	D9/432
D590,250 S *	4/2009	Seol	D9/432
D590,251 S *	4/2009	Seol et al.	D9/432
D590,252 S *	4/2009	Seol et al.	D9/432
D590,253 S *	4/2009	Seol et al.	D9/432

D595,129 S *	6/2009	Russell et al.	D9/432
D599,201 S *	9/2009	Seol et al.	D9/432
D600,548 S *	9/2009	Seol et al.	D9/432
D603,701 S *	11/2009	Seol et al.	D9/432
D607,328 S *	1/2010	Himeda	D9/457
D608,636 S *	1/2010	Seol	D9/432
D610,451 S *	2/2010	Rippe	D9/435
D610,904 S *	3/2010	Russell et al.	D9/432
D612,234 S *	3/2010	Westemeyer	D9/434
D618,556 S *	6/2010	Partin et al.	D9/643
D621,702 S *	8/2010	Tekulve et al.	D9/432
D625,196 S *	10/2010	Partin et al.	D9/645
D629,688 S *	12/2010	Bolsinger	D9/457
D632,573 S *	2/2011	Bolsinger	D9/457
D637,486 S *	5/2011	Andrew	D9/432

FOREIGN PATENT DOCUMENTS

WO	DM/074011	*	7/2010
WO	DM/074012	*	7/2010
WO	DM/074015	*	7/2010
WO	DM/074016	*	7/2010
WO	DM/074017	*	7/2010

* cited by examiner

Primary Examiner — Ian Simmons

Assistant Examiner — Dana L Sipos

(74) *Attorney, Agent, or Firm* — Amanda T. Barry; Cynthia L. Clay

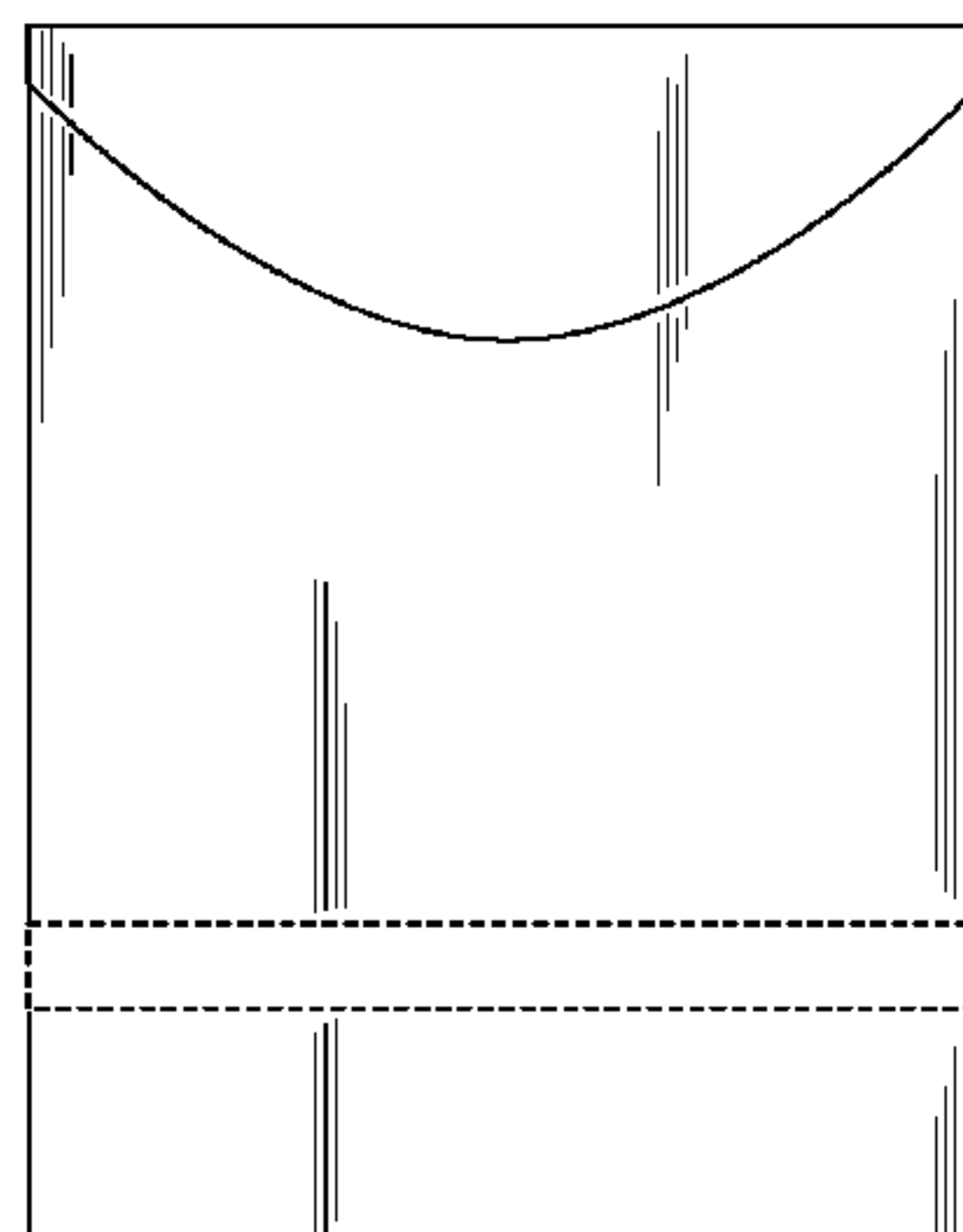
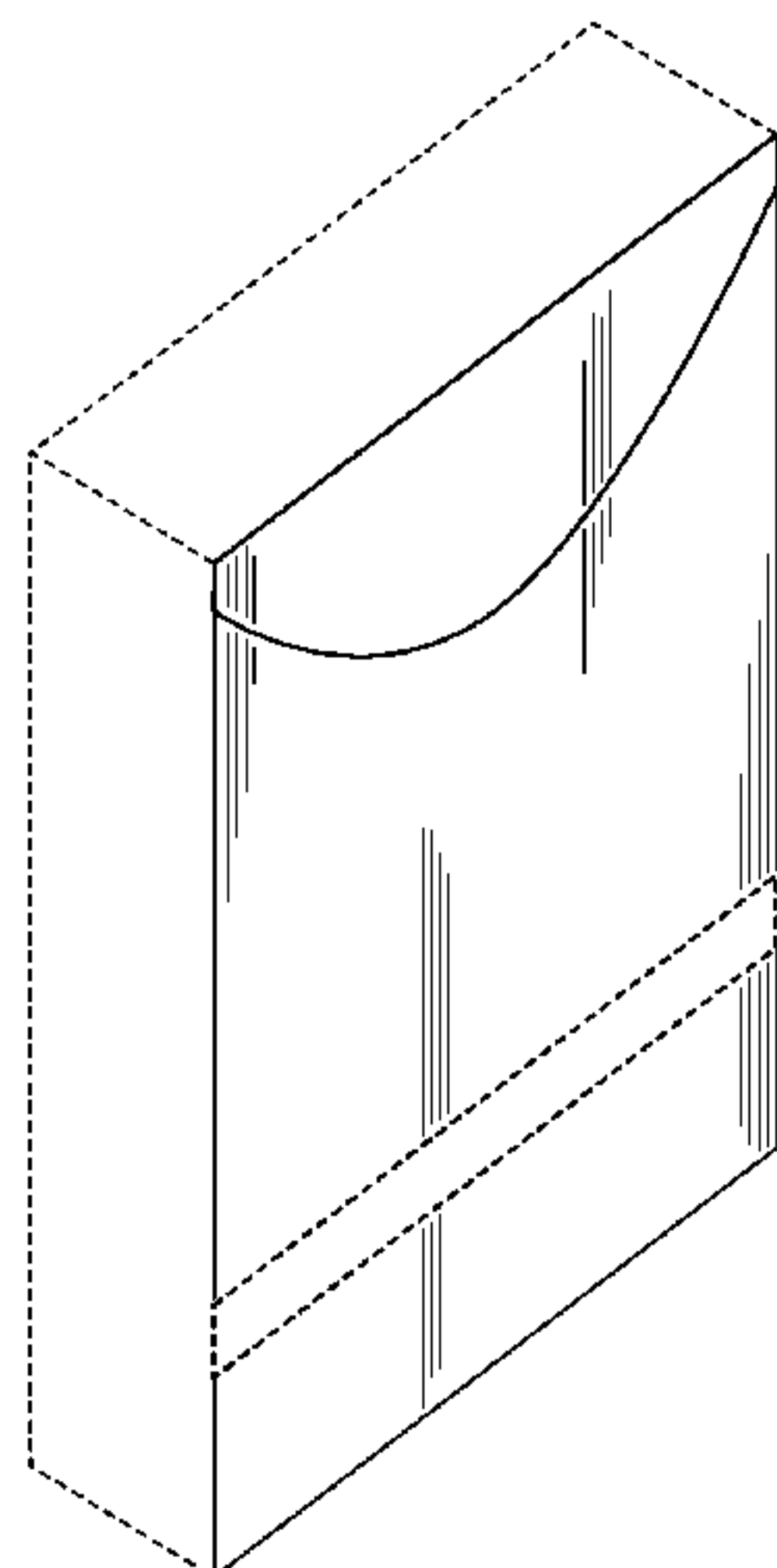
(57) **CLAIM**

The ornamental design for a packaging container having surface ornamentation, as shown and described.

DESCRIPTION

FIG. 1 is a perspective view of a packaging container having surface ornamentation embodying our new design;
FIG. 2 is a front view thereof;
FIG. 3 is a rear view thereof;
FIG. 4 is a right side view thereof;
FIG. 5 is a left side view thereof;
FIG. 6 is a top view thereof; and,
FIG. 7 is a bottom view thereof.
Broken lines are included herein for illustrative purposes only and form no part of the claimed design.

1 Claim, 3 Drawing Sheets



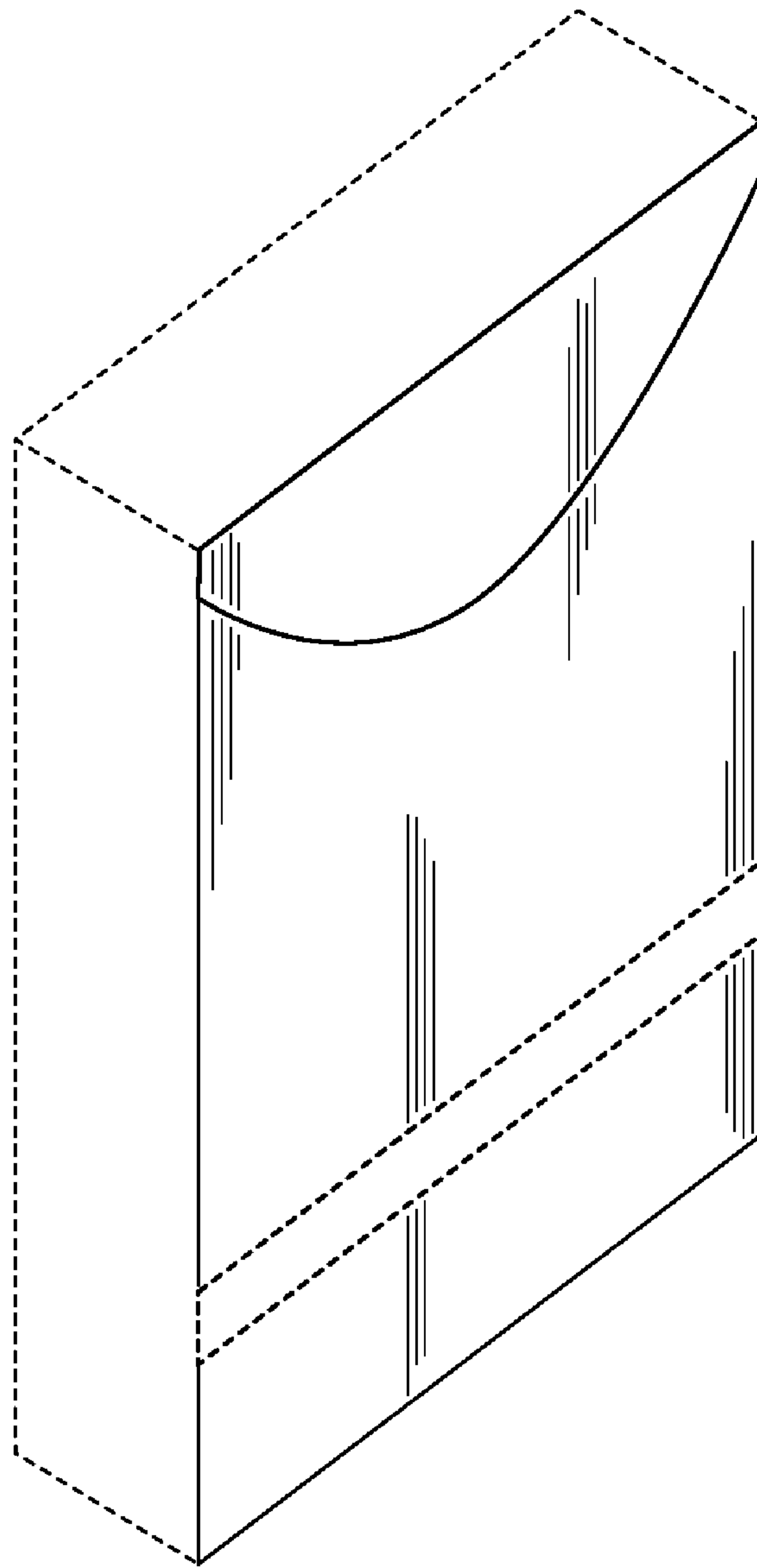


Fig. 1

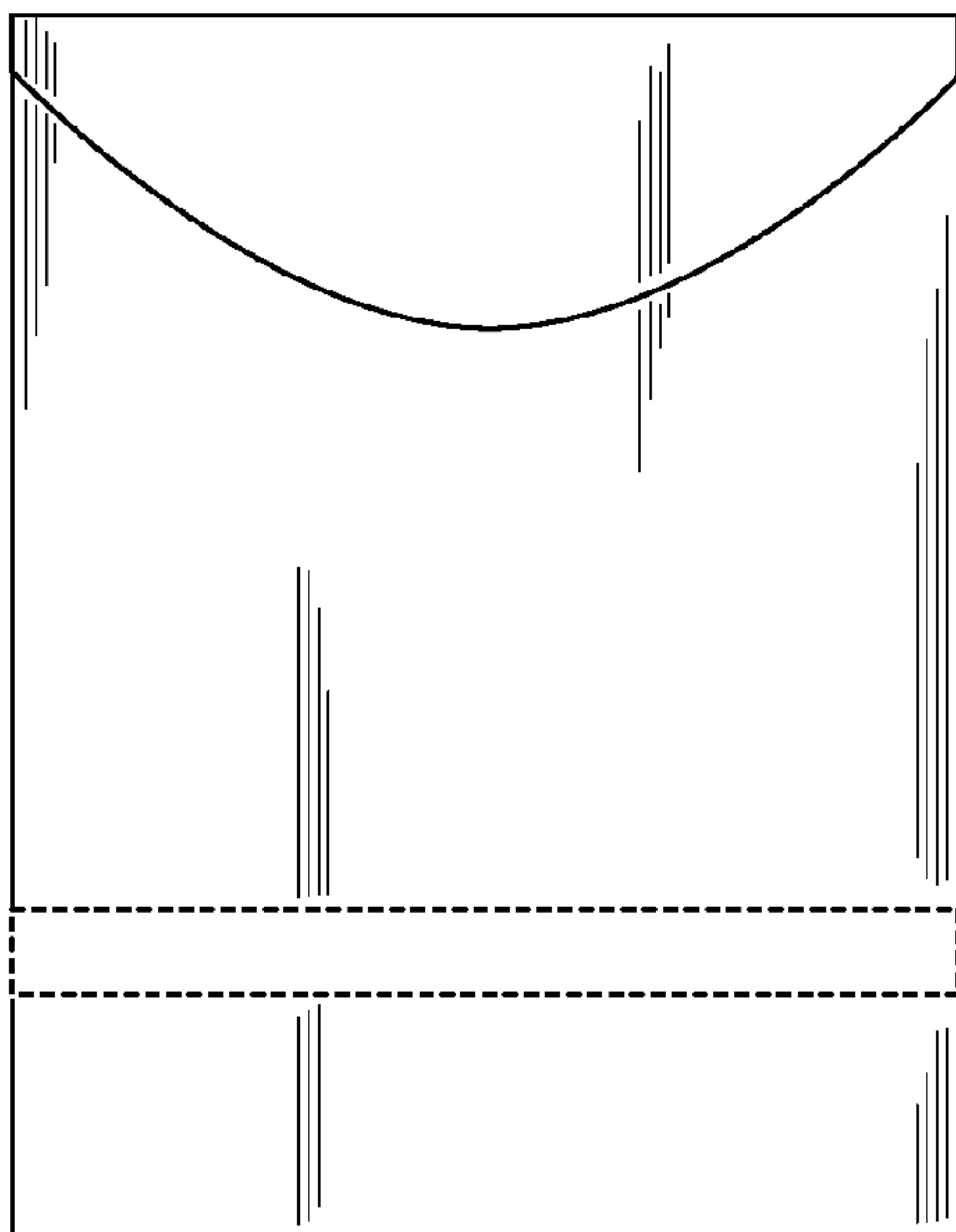


Fig. 2

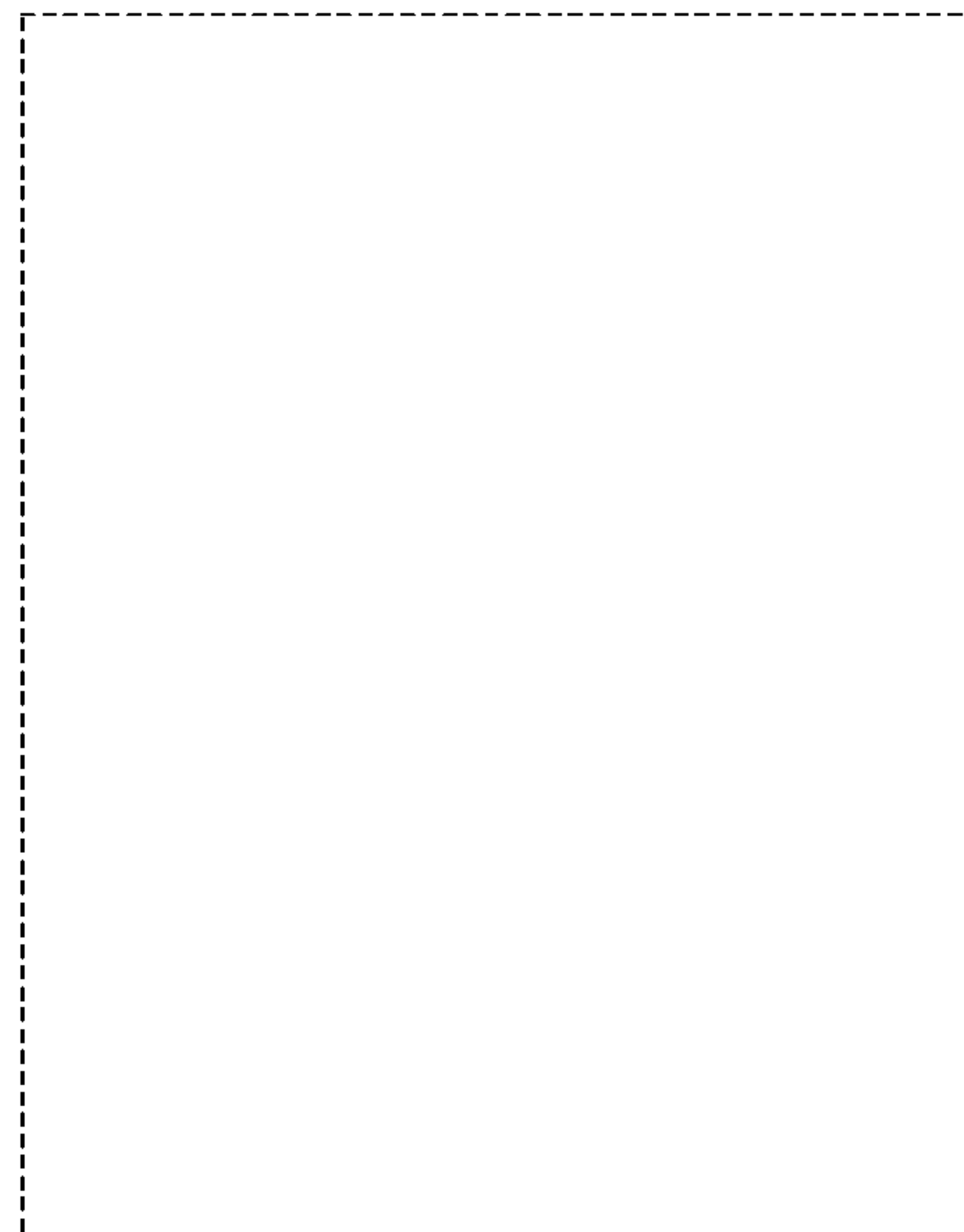


Fig. 3

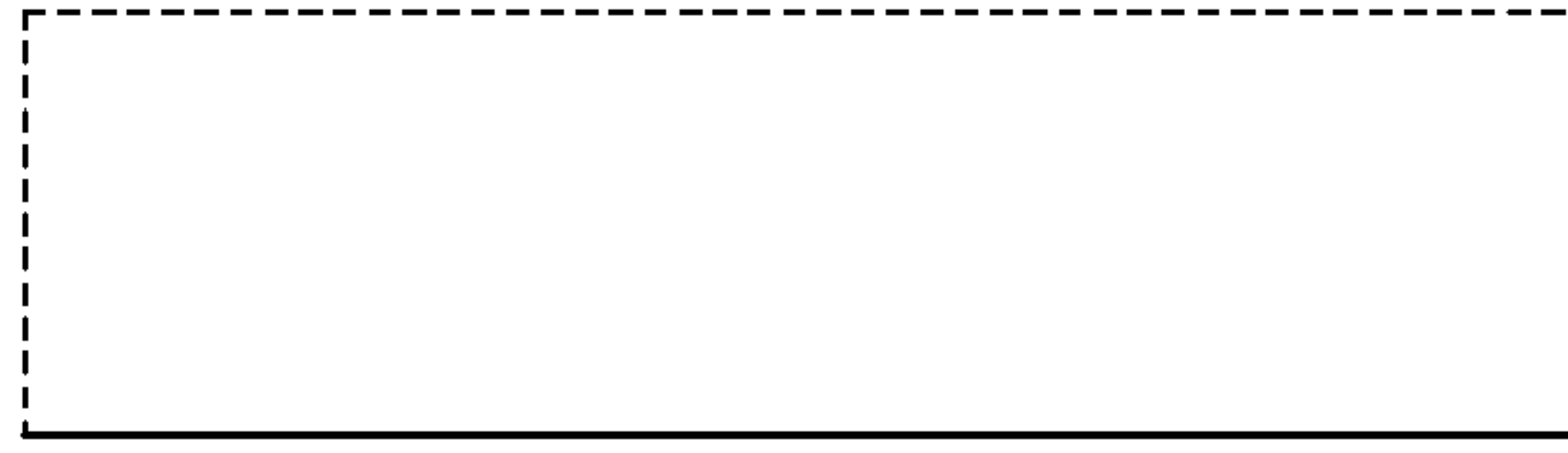


Fig. 4



Fig. 5

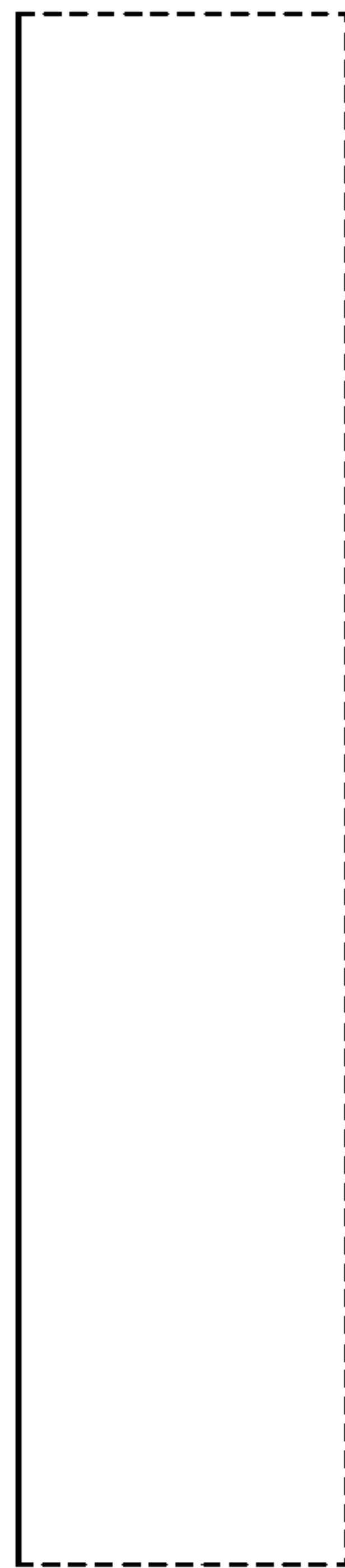


Fig. 6

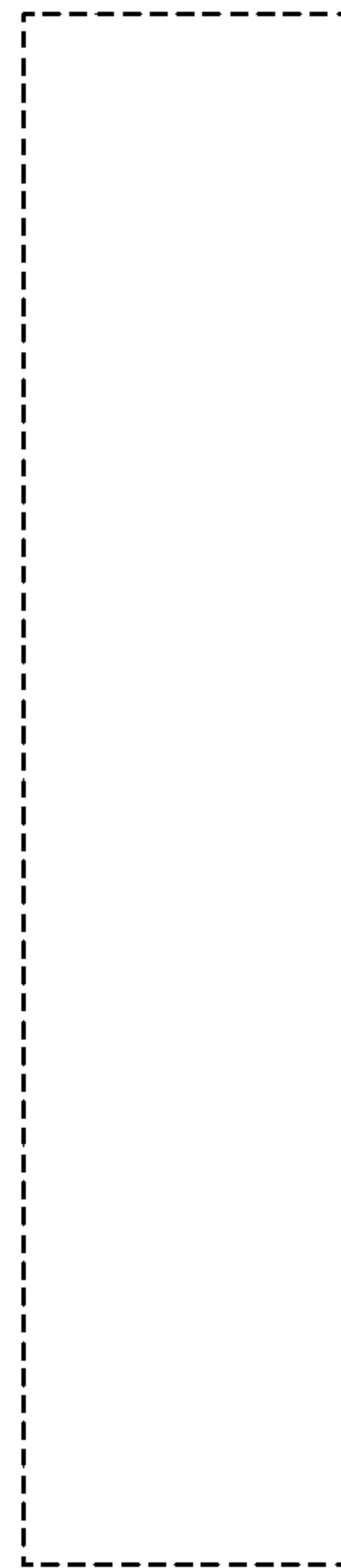


Fig. 7