



US00D656398S

(12) **United States Design Patent**
Gonzalez et al.

(10) **Patent No.:** **US D656,398 S**
(45) **Date of Patent:** **** Mar. 27, 2012**

(54) **CONTAINER**

(75) Inventors: **Gabriela Valerio Gonzalez**,
Independence, KY (US); **Andrew Peter**
Heidel, Cincinnati, OH (US); **Tony**
Christopher Siebel, Cincinnati, OH
(US)

D319,581 S 9/1991 Halm
D319,583 S 9/1991 Halm et al.
D370,834 S 6/1996 Hartman
D462,270 S 9/2002 Renz
D473,142 S 4/2003 Beaver
(Continued)

(73) Assignee: **The Procter & Gamble Company**,
Cincinnati, OH (US)

CA 101564 3/2004
(Continued)

(**) Term: **14 Years**

(21) Appl. No.: **29/402,898**

(22) Filed: **Sep. 29, 2011**

FOREIGN PATENT DOCUMENTS

OTHER PUBLICATIONS

MiR Container ECD 001688128-0001to 0008 published Mar. 29,
2010.

(Continued)

Related U.S. Application Data

(62) Division of application No. 29/392,372, filed on May
20, 2011, now Pat. No. Des. 649,452, which is a
division of application No. 29/375,265, filed on Sep.
20, 2010, now Pat. No. Des. 642,911.

Primary Examiner — Susan Bennett Hattan

(74) *Attorney, Agent, or Firm* — Julie A. McConihay;
Leonard W. Lewis; Steven W. Miller

(51) **LOC (9) Cl.** **09-07**

(52) **U.S. Cl.** **D9/434**

(58) **Field of Classification Search** D9/734,
D9/707, 629, 456, 435, 434, 433, 432, 427,
D9/425, 424, 423, 420, 418, 414, 430; D7/354;
D6/518, 515; D3/294, 302; D27/189; 383/42;
220/4.23, 409, 784, 778, 776, 494, 482, 268,
220/265

See application file for complete search history.

(57) **CLAIM**

The ornamental design for a container, as shown and
described.

DESCRIPTION

FIG. 1 is a front side perspective view of the panel of the bag;
FIG. 2 is a view of the front panel of the bag;
FIG. 3 is a view of the back panel of the bag;
FIG. 4 is a bottom view of the bag;
FIG. 5 is a left view of the bag; and,
FIG. 6 is a right view of the bag.

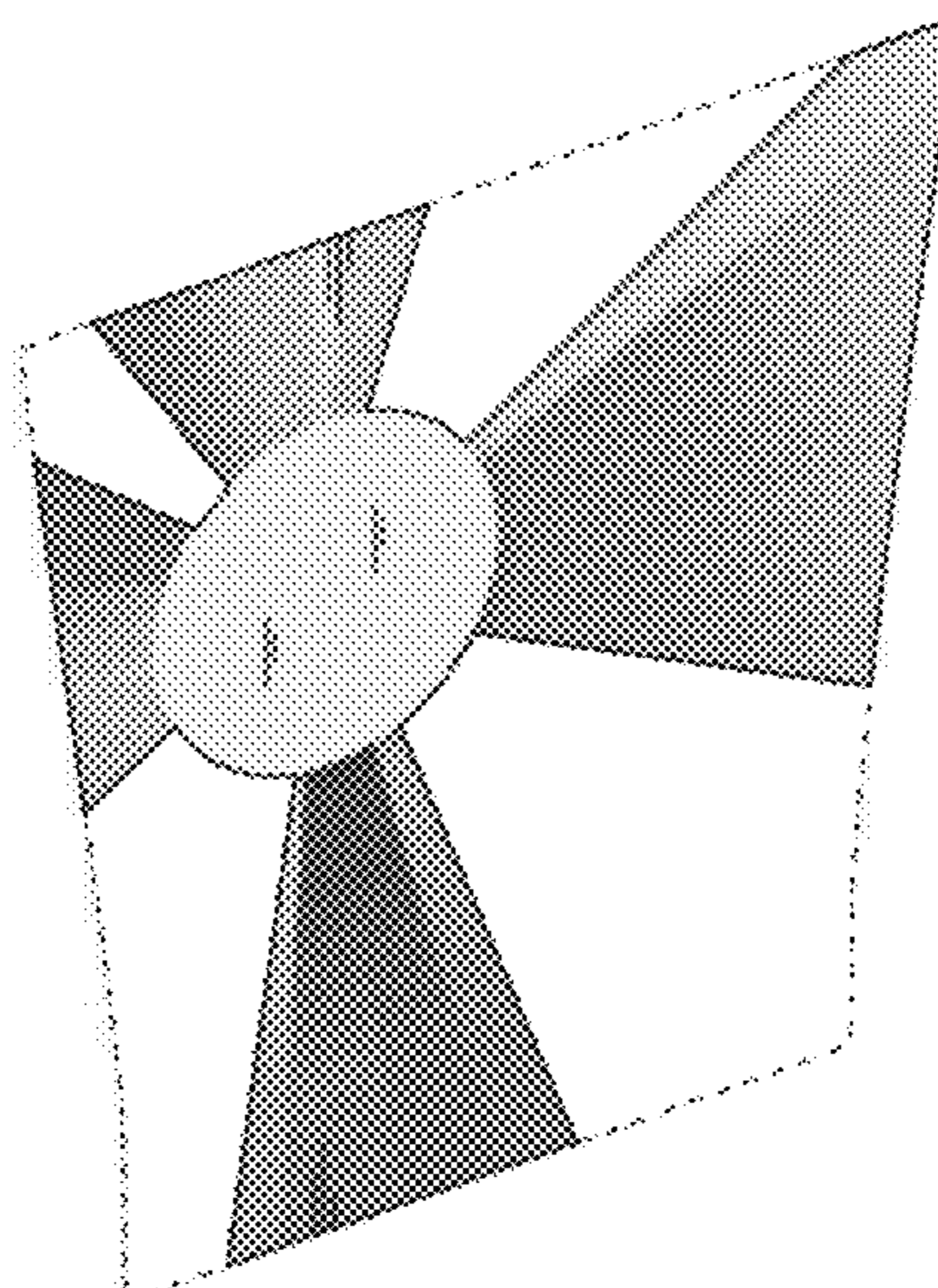
Any broken lines shown in the drawings are for illustrative
purposes only and form no part of the claimed design. Certain
features currently not in broken lines may be placed into
broken lines in other embodiments while other features in
broken lines may be placed in solid lines in other embodi-
ments.

(56) **References Cited**

U.S. PATENT DOCUMENTS

D79,888 S 11/1929 MacMillan
D135,294 S 3/1943 Ost
D254,714 S 4/1980 Mascia et al.
D254,716 S 4/1980 Mascia et al.
D281,673 S 12/1985 Lampe
D306,406 S 3/1990 Pierce et al.

1 Claim, 3 Drawing Sheets



US D656,398 S

Page 2

U.S. PATENT DOCUMENTS

D475,288 S 6/2003 Hoffmann et al.
D486,733 S 2/2004 Murning et al.
D507,184 S 7/2005 Beaver et al.
D545,192 S * 6/2007 Berger D9/456
D545,193 S * 6/2007 Berger D9/456
D548,597 S * 8/2007 Berger D9/456
D550,077 S 9/2007 Lagreca et al.
D553,984 S 10/2007 Berger
D553,985 S * 10/2007 Berger D9/456
D553,986 S * 10/2007 Berger D9/456
D560,488 S 1/2008 Rust et al.
D566,894 S * 4/2008 Wiedemann D28/8.1
D567,998 S * 4/2008 Wiedemann D28/8.1
D568,739 S 5/2008 Darr
D572,535 S 7/2008 El-Ghouyel et al.
D576,883 S 9/2008 Carapelli
D581,288 S 11/2008 Villalobos
D584,154 S 1/2009 Fitzsimmons et al.
D585,303 S 1/2009 Fitzsimmons et al.
D586,222 S 2/2009 Little et al.
D586,223 S 2/2009 Little et al.
D588,088 S 3/2009 Mitchell
D592,064 S 5/2009 Kilany
D602,257 S * 10/2009 Seum et al. D5/60
D627,569 S 11/2010 Seum et al.

D648,214 S * 11/2011 Gonzalez et al. D9/434
D649,453 S * 11/2011 Gonzalez et al. D9/434
D649,454 S * 11/2011 Gonzalez et al. D9/434
D651,512 S * 1/2012 Eaton et al. D9/435

FOREIGN PATENT DOCUMENTS

CA 119729 2/2008
EM 001688128-0001 3/2010

OTHER PUBLICATIONS

Persil Container Unilever promotion package for liquigel capsules from early 2000.

U.S. Appl. No. 29/341,567, filed Aug. 7, 2009, Chris Van den Wouwer, et al.

U.S. Appl. No. 29/354,855, filed Jan. 29, 2010, Kopulos, et al.

U.S. Appl. No. 29/354,867, filed Jan. 29, 2010, Kopulos, et al.

U.S. Appl. No. 29/375,244, filed Sep. 20, 2010, Kopulos, et al.

U.S. Appl. No. 29/375,263, filed Sep. 20, 2010, Kopulos, et al.

U.S. Appl. No. 29/375,274, filed Sep. 20, 2010, Forte, et al.

U.S. Appl. No. 29/375,265, filed Sep. 20, 2010, Gonzalez, et al.

U.S. Appl. No. 29/392,371, filed May 20, 2011, Gonzalez, et al.

U.S. Appl. No. 29/392,372, filed May 20, 2011, Gonzalez, et al.

* cited by examiner

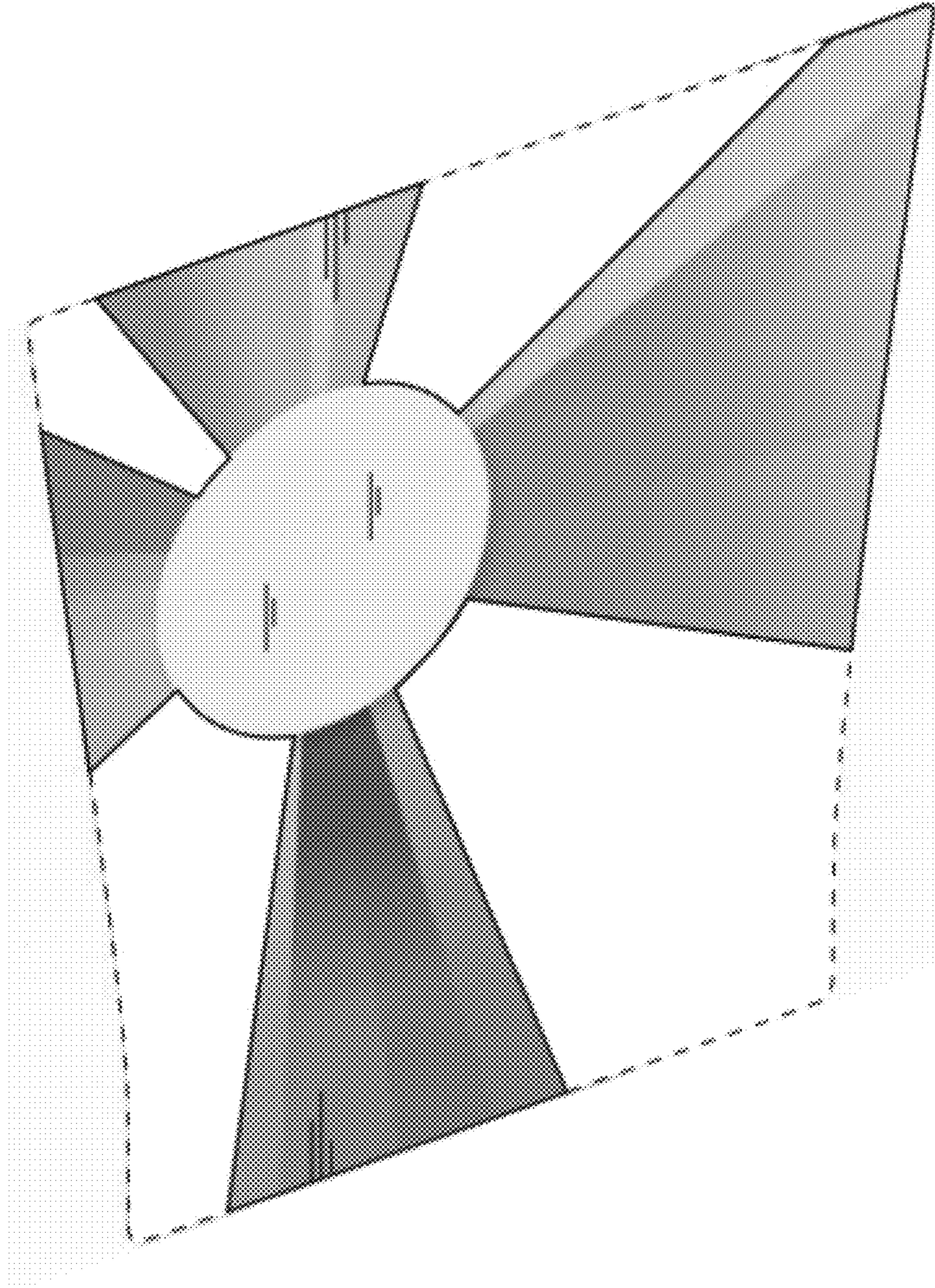


Fig. 1

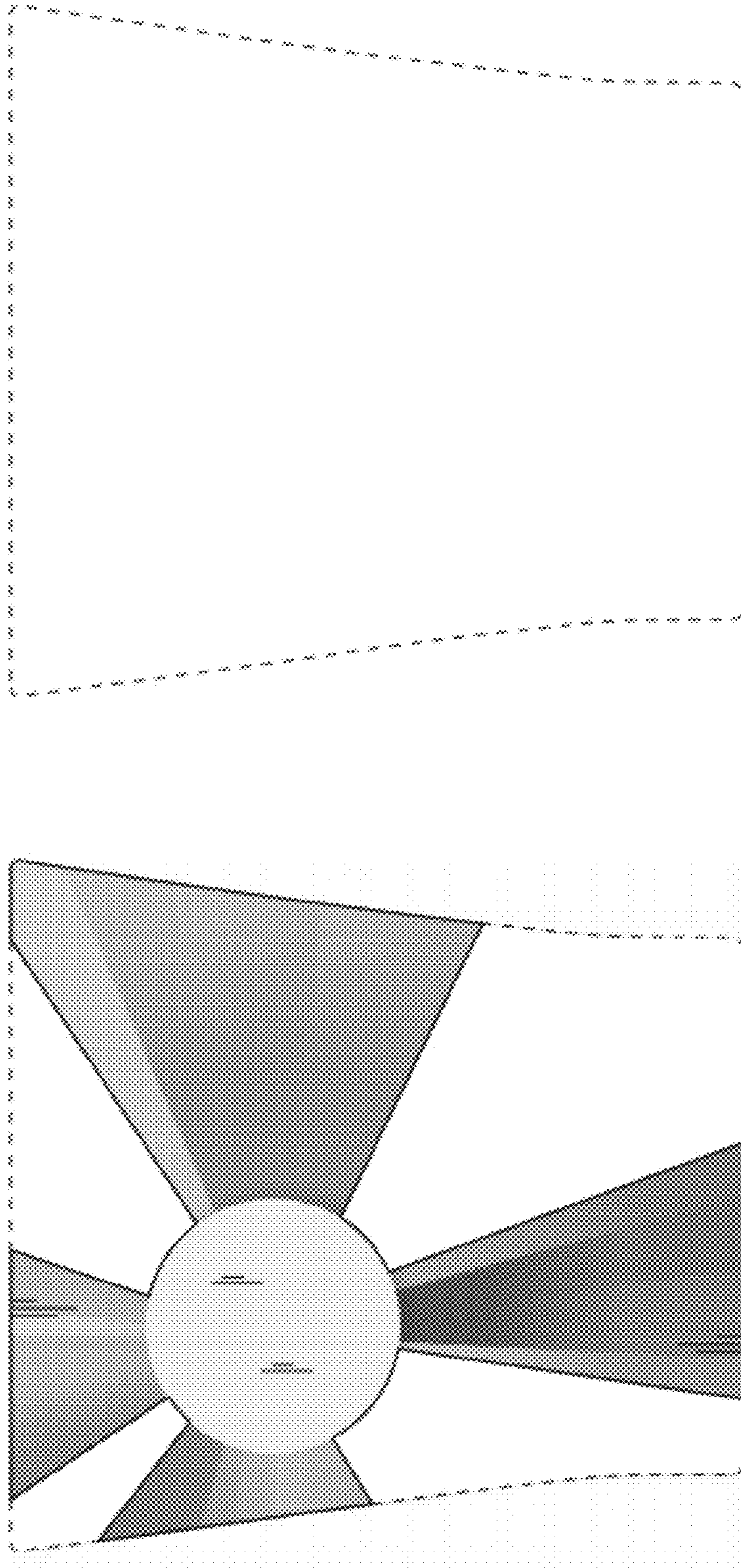


Fig. 2

Fig. 3




Fig. 5




Fig. 6



Fig. 4