



US00D656396S

(12) **United States Design Patent**  
**Palmieri et al.**

(10) **Patent No.:** **US D656,396 S**  
(45) **Date of Patent:** **\*\* Mar. 27, 2012**

(54) **PACKAGING CONTAINER HAVING SURFACE ORNAMENTATION**

D613,157 S \* 4/2010 Francis et al. .... D9/434  
D615,398 S \* 5/2010 Arnell ..... D9/434  
D621,702 S \* 8/2010 Tekulve et al. .... D9/432

(75) Inventors: **Cesare Palmieri**, Geneva (CH); **Sarah Jayne Bell**, Southgate (GB)

\* cited by examiner

(73) Assignee: **The Procter & Gamble Company**, Cincinnati, OH (US)

*Primary Examiner* — Sandra Morris

(74) *Attorney, Agent, or Firm* — Amanda T. Barry; Kelly L. Mcdow

(\*\*) Term: **14 Years**

(57) **CLAIM**

The ornamental design for a packaging container having surface ornamentation, as shown and described.

(21) Appl. No.: **29/377,125**

**DESCRIPTION**

(22) Filed: **Oct. 18, 2010**

(51) **LOC (9) Cl.** ..... **09-01**

(52) **U.S. Cl.** ..... **D9/434**

(58) **Field of Classification Search** ..... D9/600,  
D9/655-659, 414, 430-434; D3/270; 206/457-458,  
206/527

See application file for complete search history.

FIG. 1 is a perspective view of packaging container having surface ornamentation embodying our new design;

FIG. 2 is a front view thereof;

FIG. 3 is a rear view thereof;

FIG. 4 is right side view thereof;

FIG. 5 is a left side view thereof;

FIG. 6 is a top view thereof; and,

FIG. 7 is a bottom view thereof.

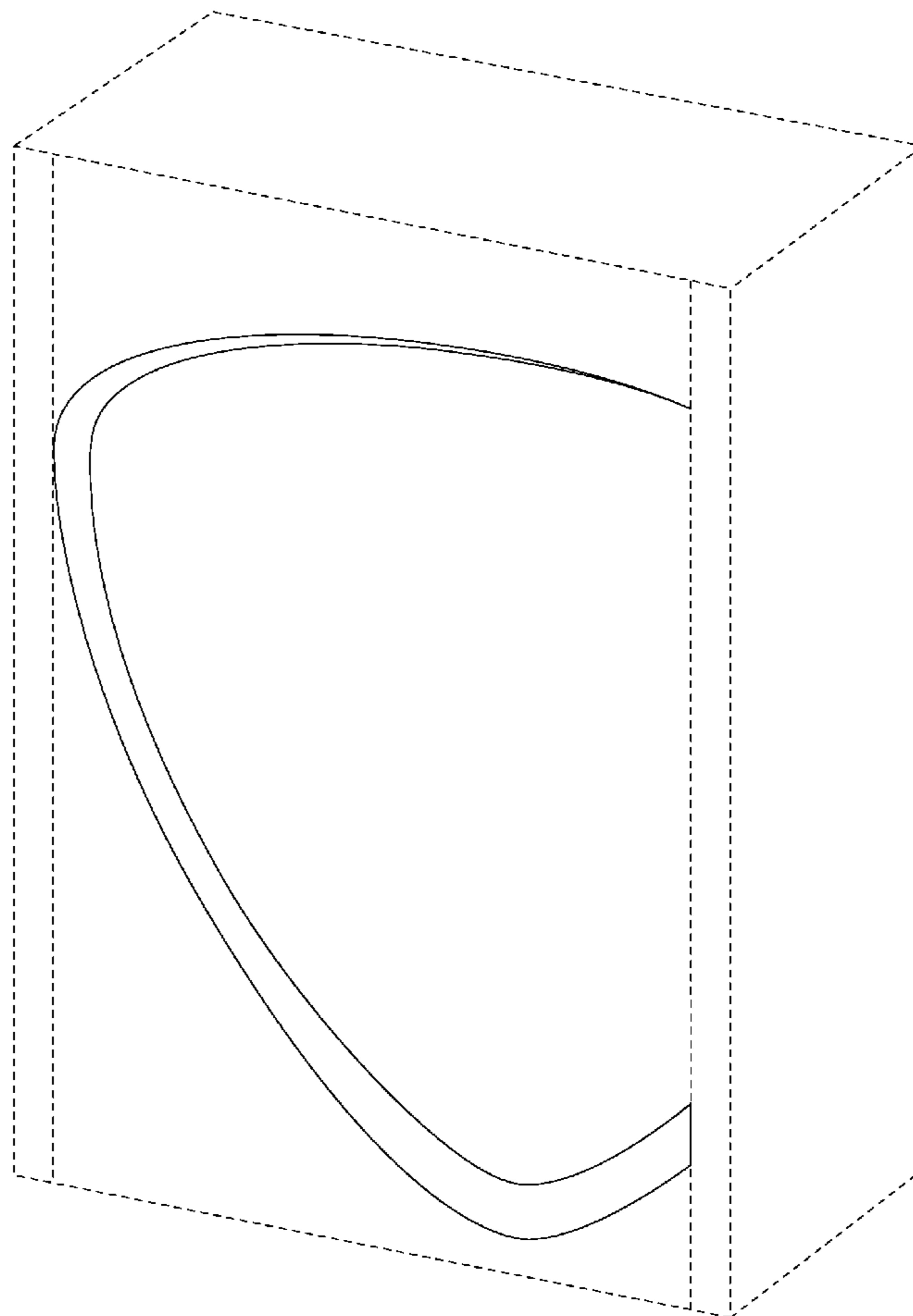
Broken lines are included herein for illustrative purposes only and form no part of the claimed design.

(56) **References Cited**

U.S. PATENT DOCUMENTS

D554,500 S \* 11/2007 Bone et al. .... D9/434  
D586,210 S \* 2/2009 Noschang et al. .... D9/434

**1 Claim, 3 Drawing Sheets**



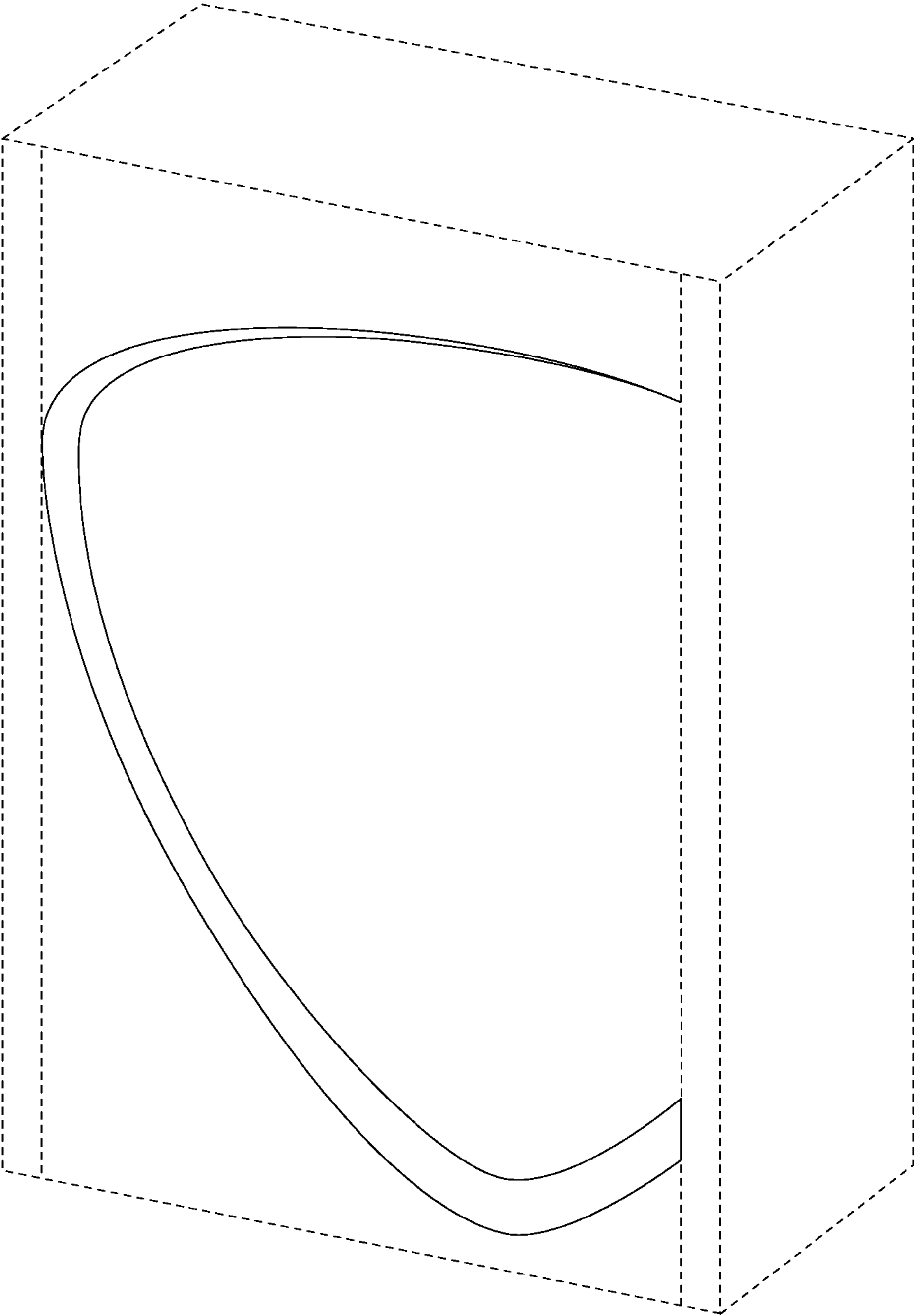


FIG. 1

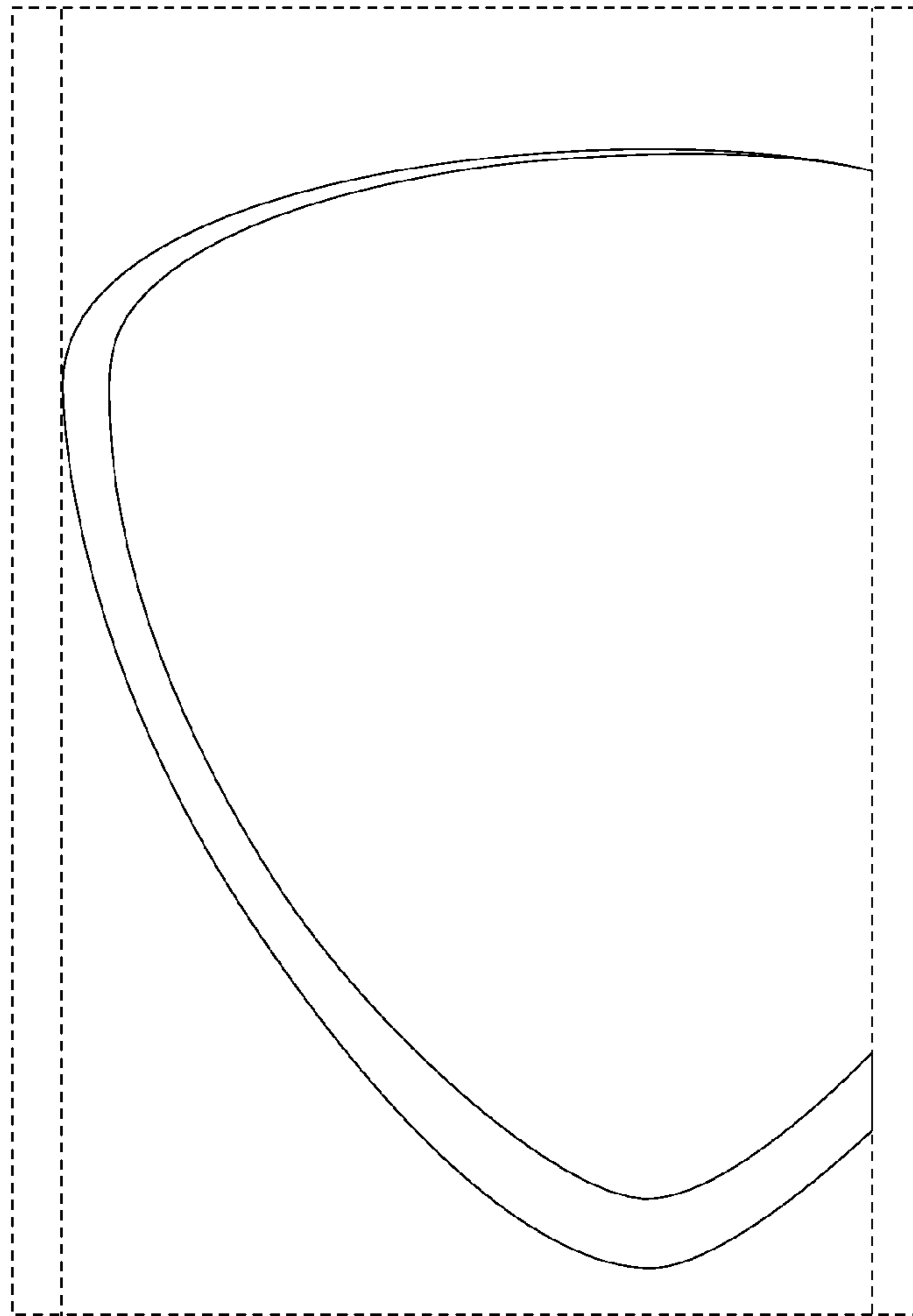


FIG. 2

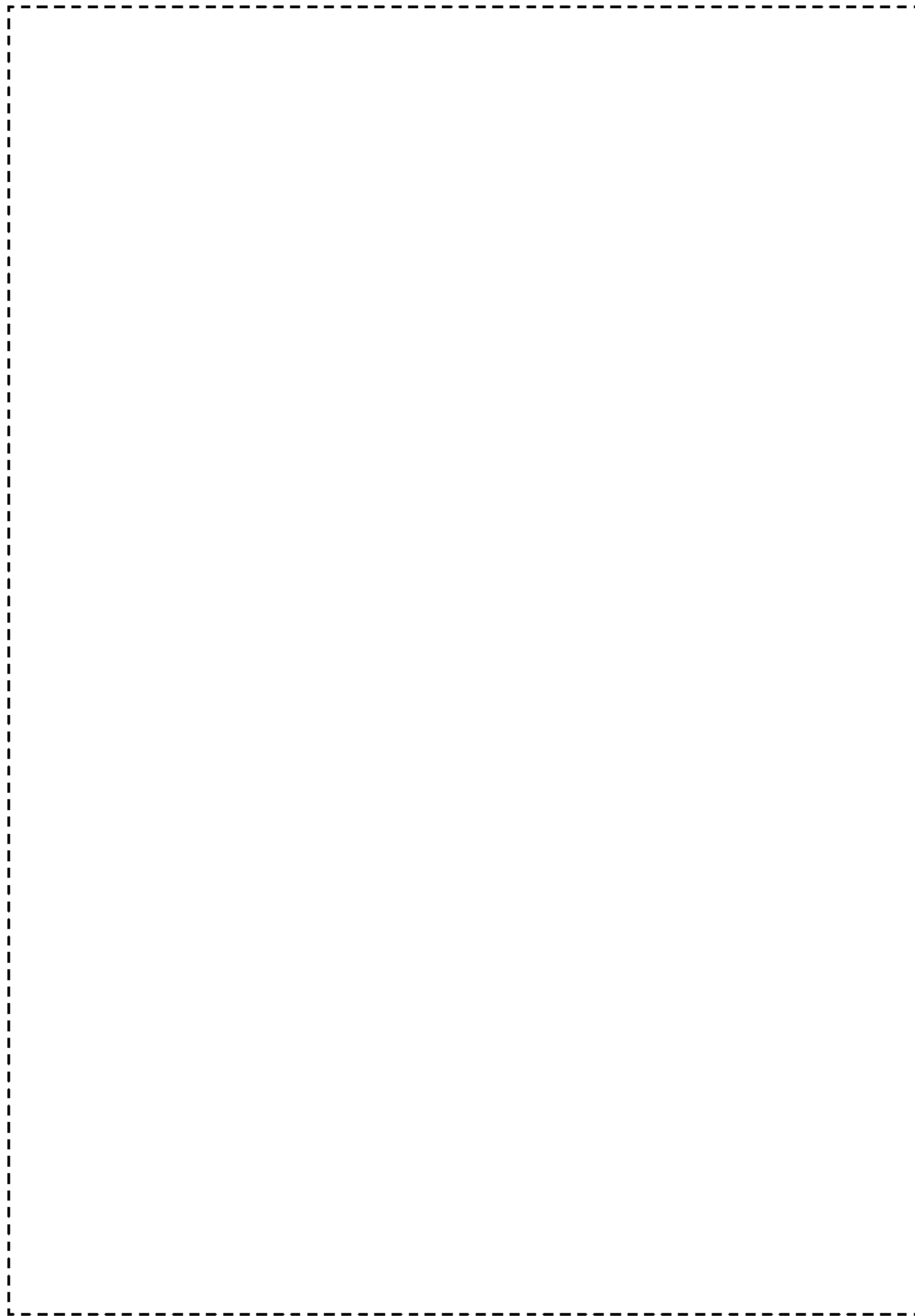


FIG. 3



FIG. 4



FIG. 5



FIG. 6



FIG. 7