



US00D656393S

(12) **United States Design Patent**  
**Honda**

(10) **Patent No.:** **US D656,393 S**  
(45) **Date of Patent:** **\*\* Mar. 27, 2012**

(54) **METAL FITTING FOR BUILDING BOARDS**

(75) Inventor: **Takashi Honda**, Anjo (JP)

(73) Assignee: **Nichiha Corporation**, Nagoya-Shi,  
Aichi (JP)

(\*\*) Term: **14 Years**

(21) Appl. No.: **29/381,201**

(22) Filed: **Dec. 16, 2010**

(51) **LOC (9) Cl.** ..... **08-08**

(52) **U.S. Cl.** ..... **D8/382; D8/349**

(58) **Field of Classification Search** ..... D8/349,  
D8/354, 382, 394, 395, 356, 380, 371, 366;  
248/300, 316.1; 403/381, 14; 52/238.1,  
52/243.1, 394, 395, 578, 579, 584.1, 589.1  
See application file for complete search history.

(56) **References Cited**

**U.S. PATENT DOCUMENTS**

4,570,404	A *	2/1986	Knudson	.....	52/520
6,315,489	B1 *	11/2001	Watanabe	.....	403/381
6,402,419	B1 *	6/2002	Watanabe	.....	403/381
6,830,405	B2 *	12/2004	Watanabe	.....	403/14
D591,585	S	5/2009	Hikai		
D610,899	S *	3/2010	Hikai	.....	D8/382
D620,784	S *	8/2010	Hikai	.....	D8/382
D626,406	S *	11/2010	Tedesco et al.	.....	D8/394
D626,407	S *	11/2010	Tedesco et al.	.....	D8/394

2001/0045075	A1 *	11/2001	Watanabe	.....	52/712
2002/0046536	A1 *	4/2002	Hotta	.....	52/698
2005/0102944	A1 *	5/2005	Hikai	.....	52/511

**FOREIGN PATENT DOCUMENTS**

JP	D1063210	11/1999
JP	D1063211	11/1999
JP	D1274767 S	6/2006

\* cited by examiner

*Primary Examiner* — Mark Goodwin

(74) *Attorney, Agent, or Firm* — Birch, Stewart, Kolasch & Birch, LLP

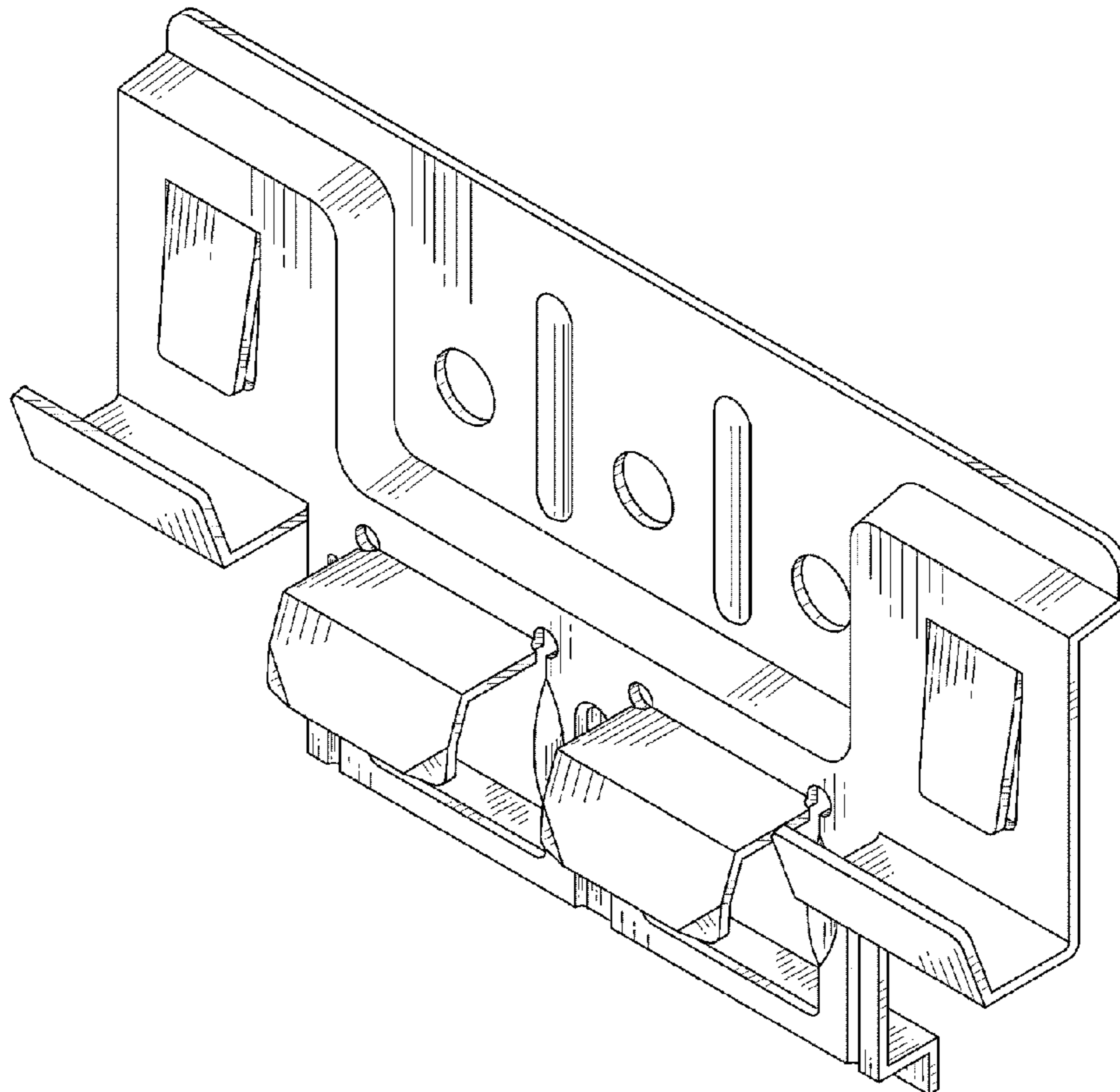
(57) **CLAIM**

The ornamental design for a metal fitting for building boards, as shown and described.

**DESCRIPTION**

FIG. 1 is a front view of a metal fitting for building boards showing my new design;  
FIG. 2 is a back view thereof;  
FIG. 3 is a top view thereof;  
FIG. 4 is a bottom view thereof;  
FIG. 5 is a right side view thereof;  
FIG. 6 is a left side view thereto;  
FIG. 7 is a front, right perspective view thereof; and,  
FIG. 8 is a reference view showing an example of the a metal fitting for building boards that is in use on a wall.  
The broken lines illustrated in drawings form no part of the claimed design.

**1 Claim, 8 Drawing Sheets**



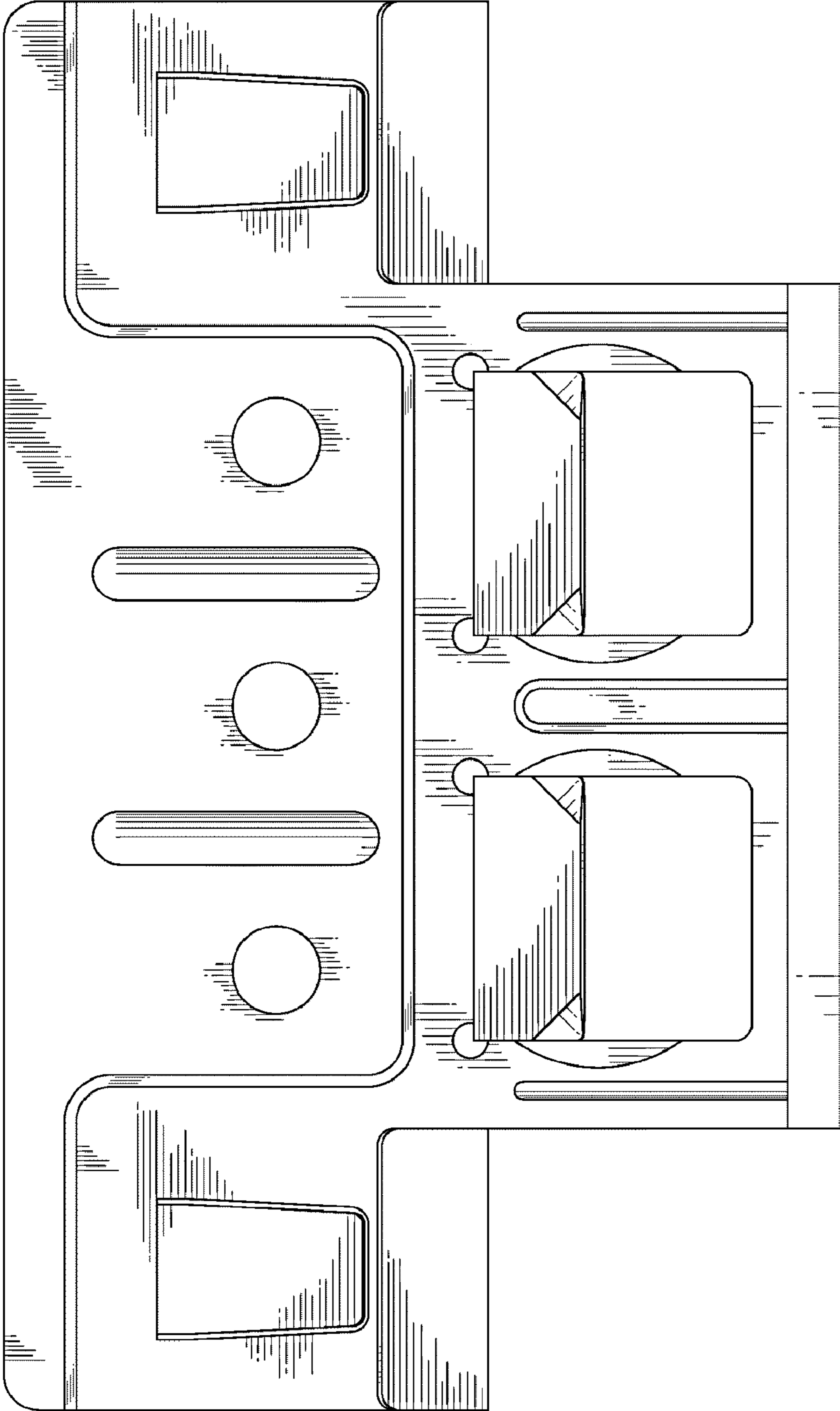


Fig.1

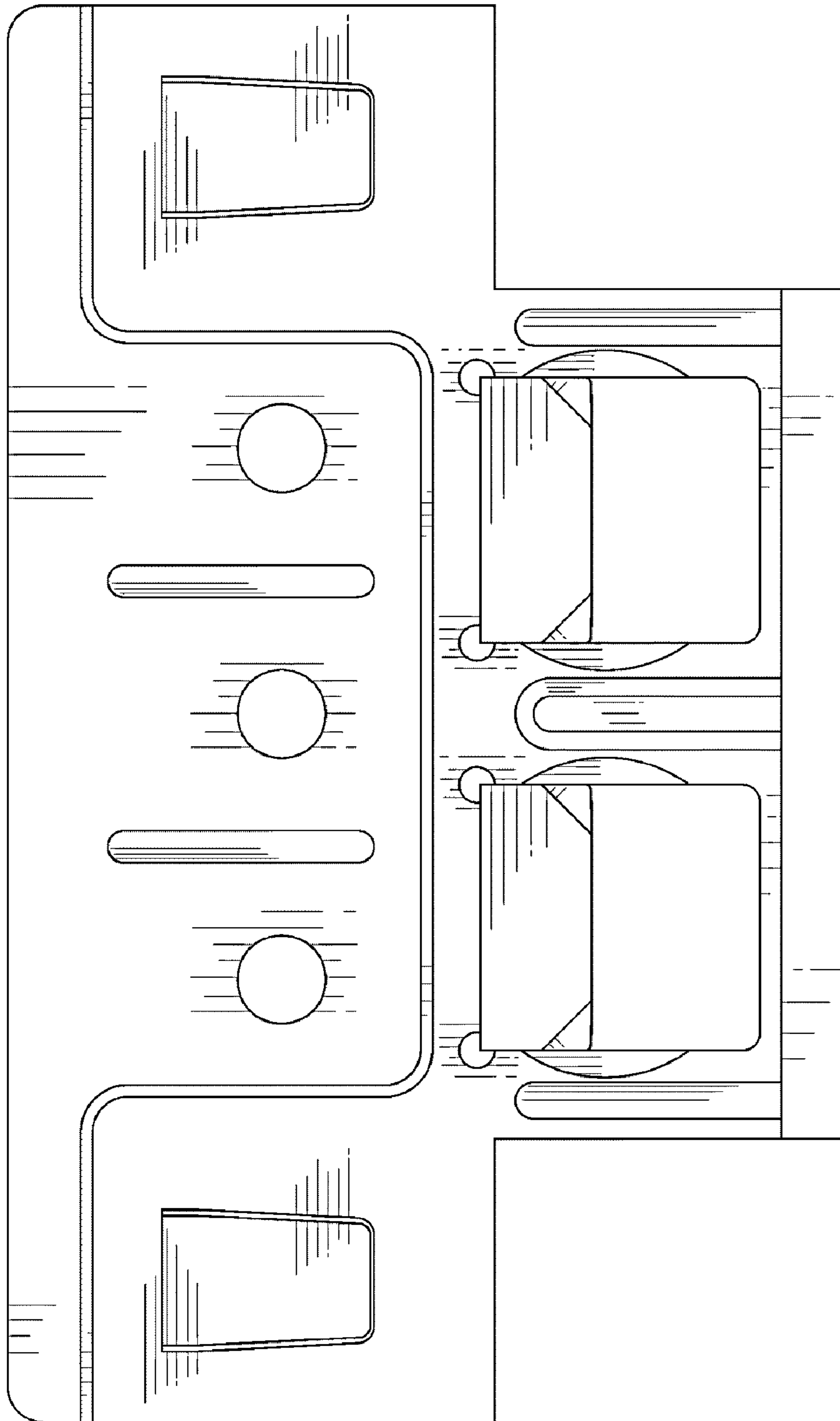


Fig. 2

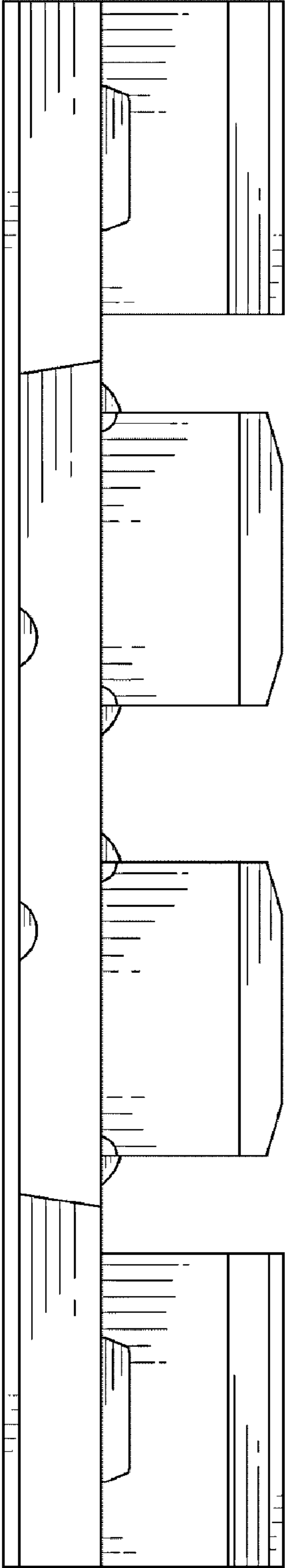


Fig.3

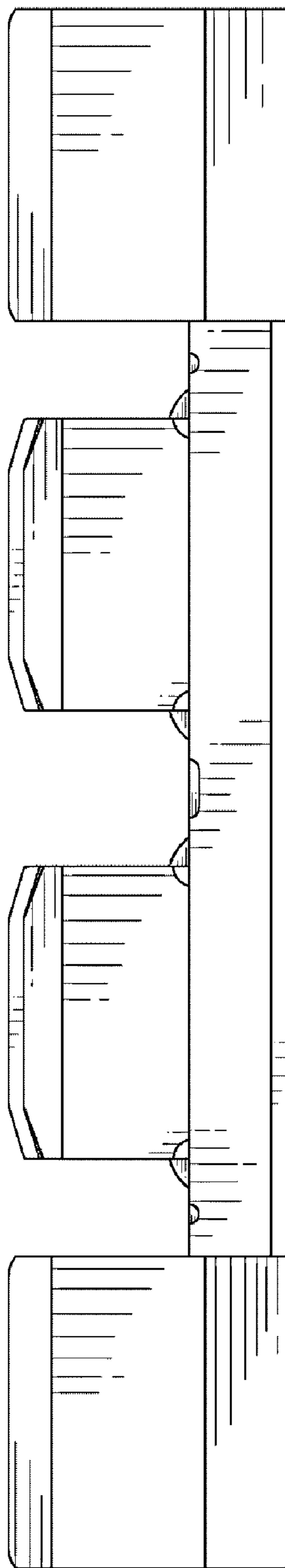


Fig.4

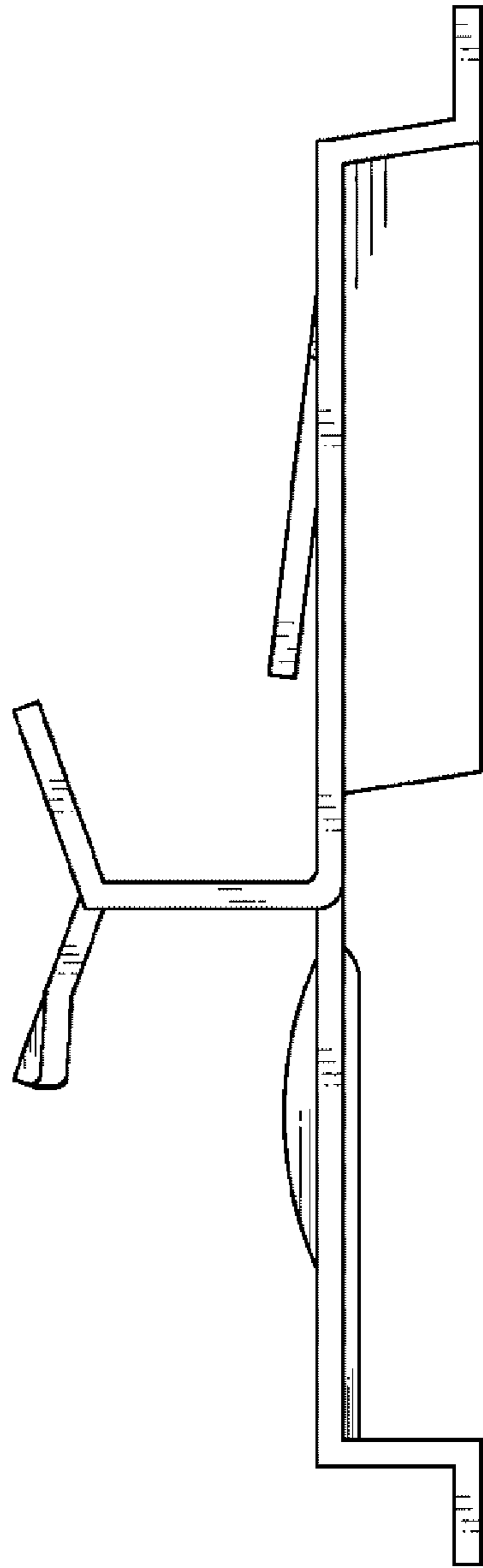


Fig.5

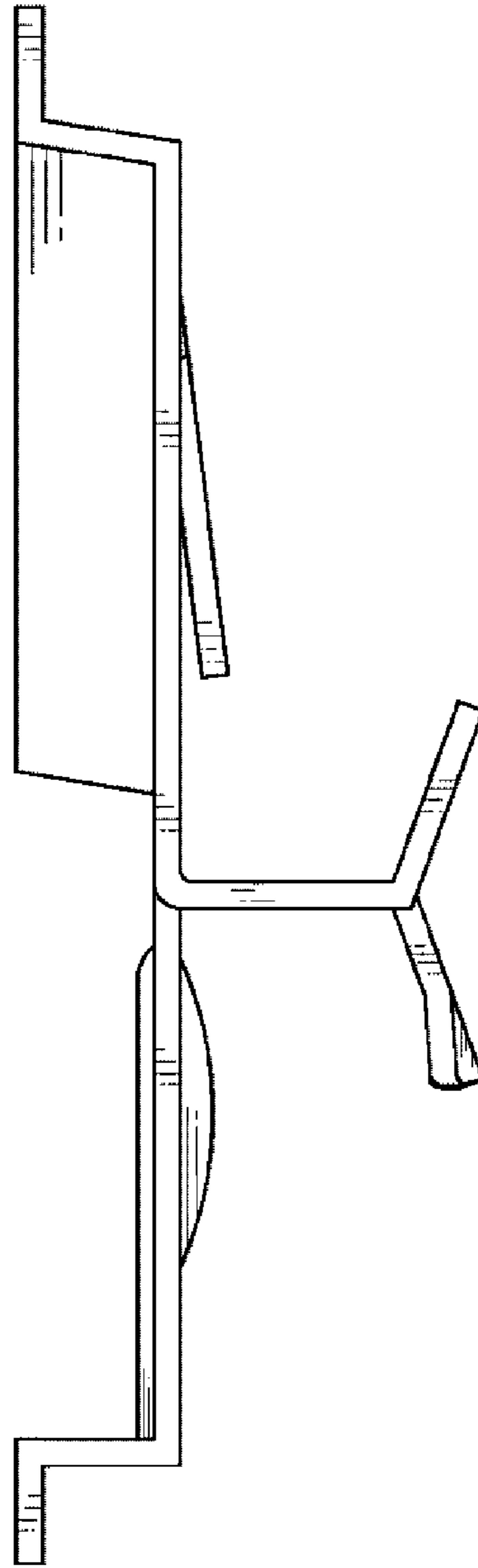


Fig.6

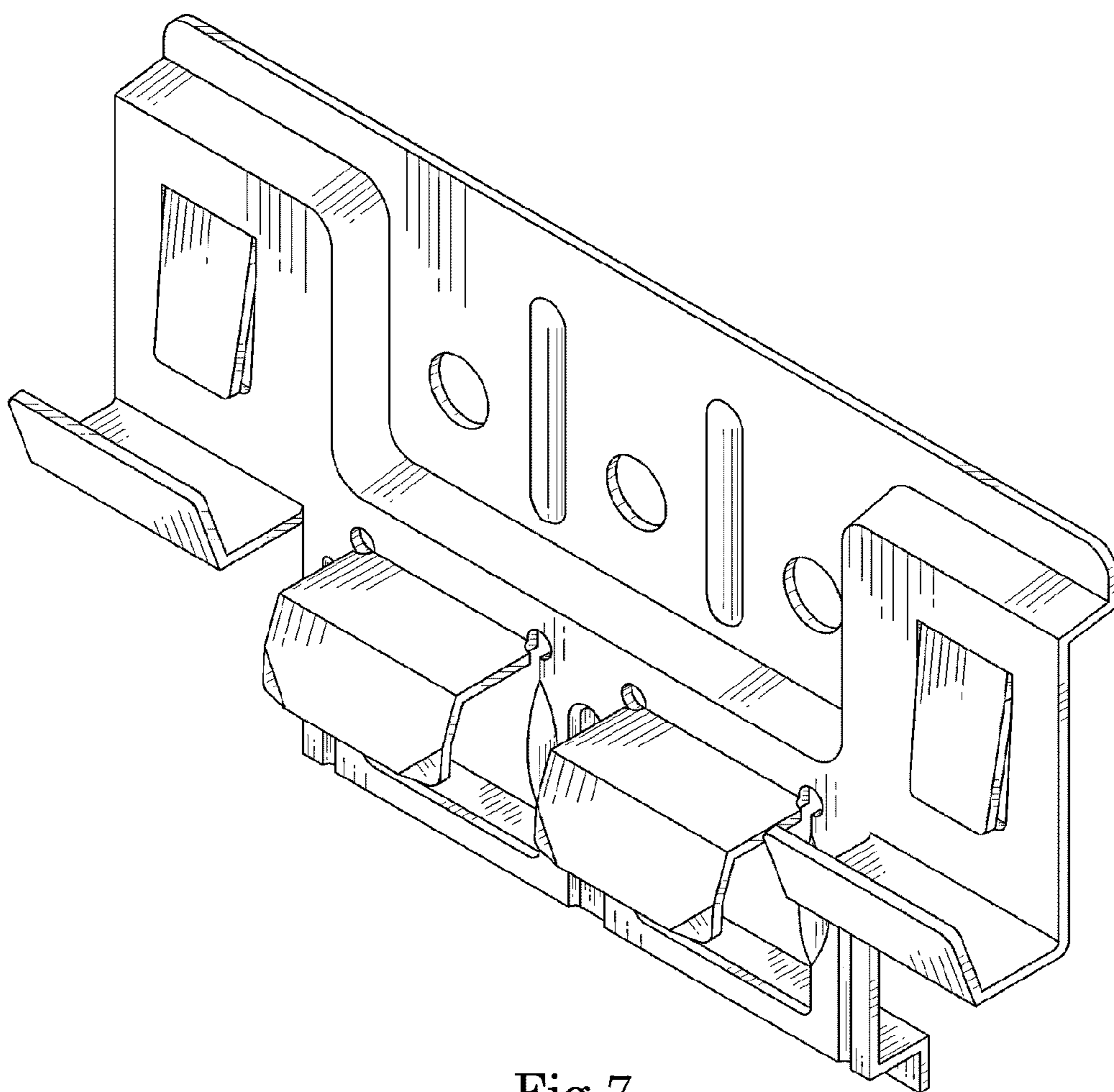


Fig. 7



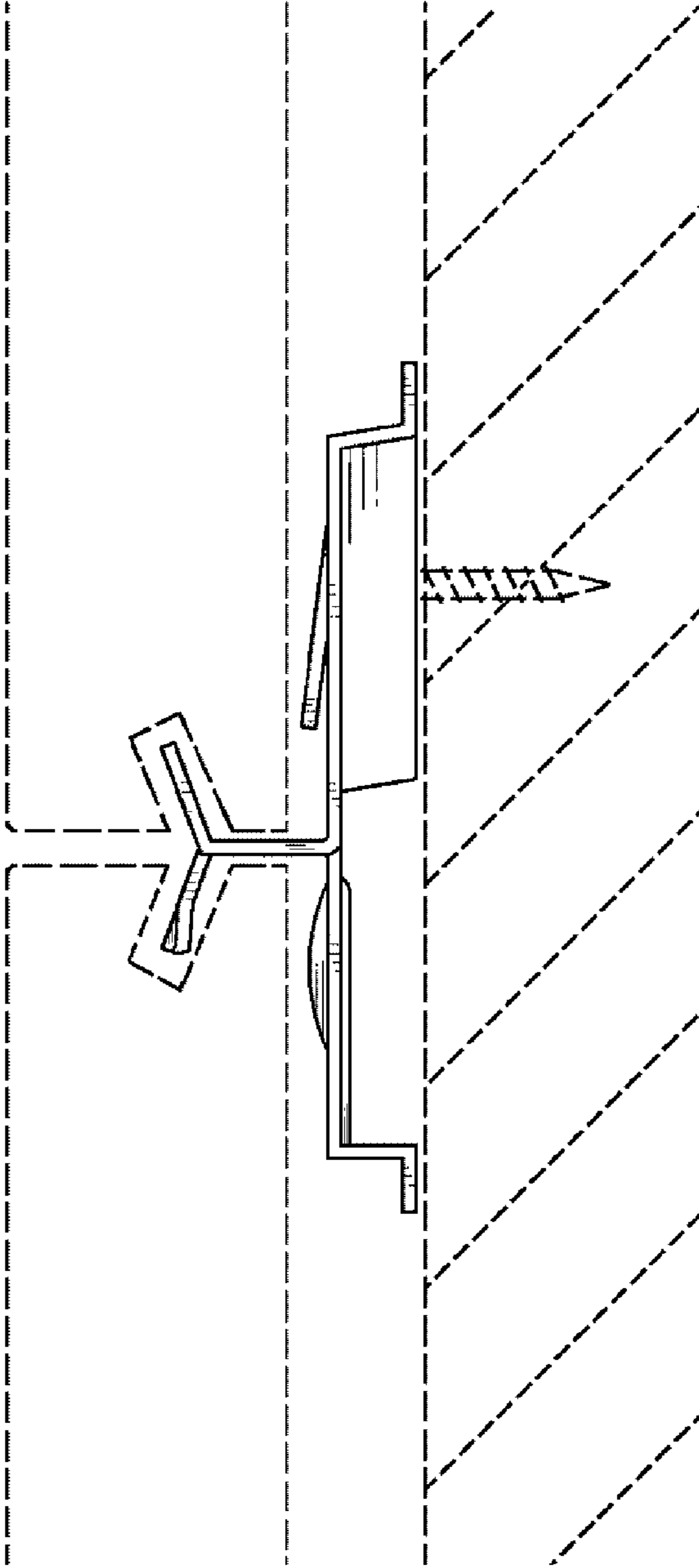


Fig.8