

US00D656392S

(12) **United States Design Patent**
McKenna

(10) **Patent No.:** **US D656,392 S**
(45) **Date of Patent:** **** Mar. 27, 2012**

(54) **PANEL FASTENER**

(75) Inventor: **Joseph McKenna**, North Wales, PA
(US)

(73) Assignee: **PEM Management, Inc.**, Wilmington,
DE (US)

(**) Term: **14 Years**

(21) Appl. No.: **29/380,728**

(22) Filed: **Dec. 10, 2010**

(51) **LOC (9) Cl.** **08-08**

(52) **U.S. Cl.** **D8/382**

(58) **Field of Classification Search** D8/382,
D8/387; 411/353, 352, 107

See application file for complete search history.

(56) **References Cited**

U.S. PATENT DOCUMENTS

2,967,557 A	1/1961	Tait et al.
3,126,935 A	3/1964	Tuozzo
3,250,559 A	5/1966	Sommerfield
3,718,950 A	3/1973	Engstrom
4,007,516 A	2/1977	Coules
4,047,266 A	9/1977	Bisbing
4,387,497 A	6/1983	Gulistan
D283,591 S	4/1986	Swanstrom
4,915,557 A	4/1990	Stafford
5,011,355 A	4/1991	Motoshige
5,209,018 A	5/1993	Heinrich
5,338,139 A	8/1994	Swanstrom
5,382,124 A	1/1995	Frattarola
D357,176 S	4/1995	Ernest et al.
5,544,992 A	8/1996	Ciobanu et al.
D388,316 S	12/1997	McDonough et al.
D400,430 S	11/1998	McDonough et al.

D411,952 S *	7/1999	Alderisio, Jr.	D8/387
6,644,903 B1 *	11/2003	Arand	411/352
D492,895 S *	7/2004	Ellis et al.	D8/387
D493,362 S *	7/2004	Aukzemas et al.	D8/387
6,761,521 B2 *	7/2004	McCormack et al.	411/353
D627,215 S *	11/2010	Summers	D8/387
D639,647 S *	6/2011	Summers	D8/387
D639,648 S *	6/2011	Summers	D8/387
D639,649 S *	6/2011	Summers	D8/387
D639,650 S *	6/2011	Summers	D8/387
D639,651 S *	6/2011	Summers	D8/387

OTHER PUBLICATIONS

Dzus Catalog, 1981, p. 22, Study Assembly.
Elco Catalog, 1979, p. 14, Drive Systems, *Phillips Recess.
Penn Engineering & Manufacturing Corp Catalog, Copright 1984 &
1988, p. 3, Type PFC2 Panel Fastener.

* cited by examiner

Primary Examiner — Holly Baynham

Assistant Examiner — Sheryl Lane

(74) *Attorney, Agent, or Firm* — Gregory J. Gore

(57) **CLAIM**

The ornamental design for a panel fastener, as shown and described.

DESCRIPTION

FIG. 1 is a top front perspective view of a panel fastener.
FIG. 2 is a front elevation view thereof.
FIG. 3 is a right side elevation view thereof.
FIG. 4 is a left side elevation view thereof.
FIG. 5 is a rear elevation view thereof.
FIG. 6 is a top plan view thereof; and,
FIG. 7 is a bottom view thereof.

1 Claim, 3 Drawing Sheets

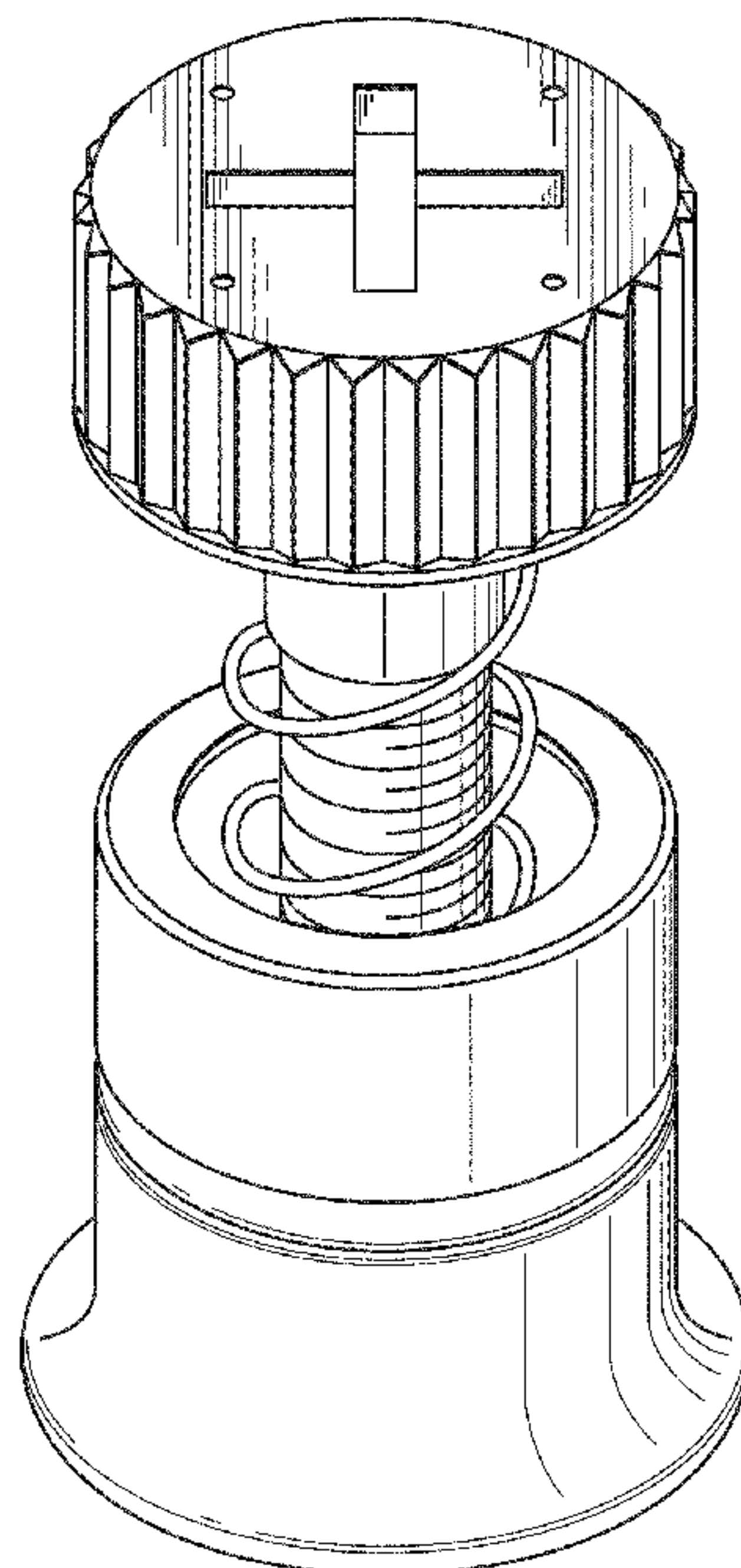


FIG. 1

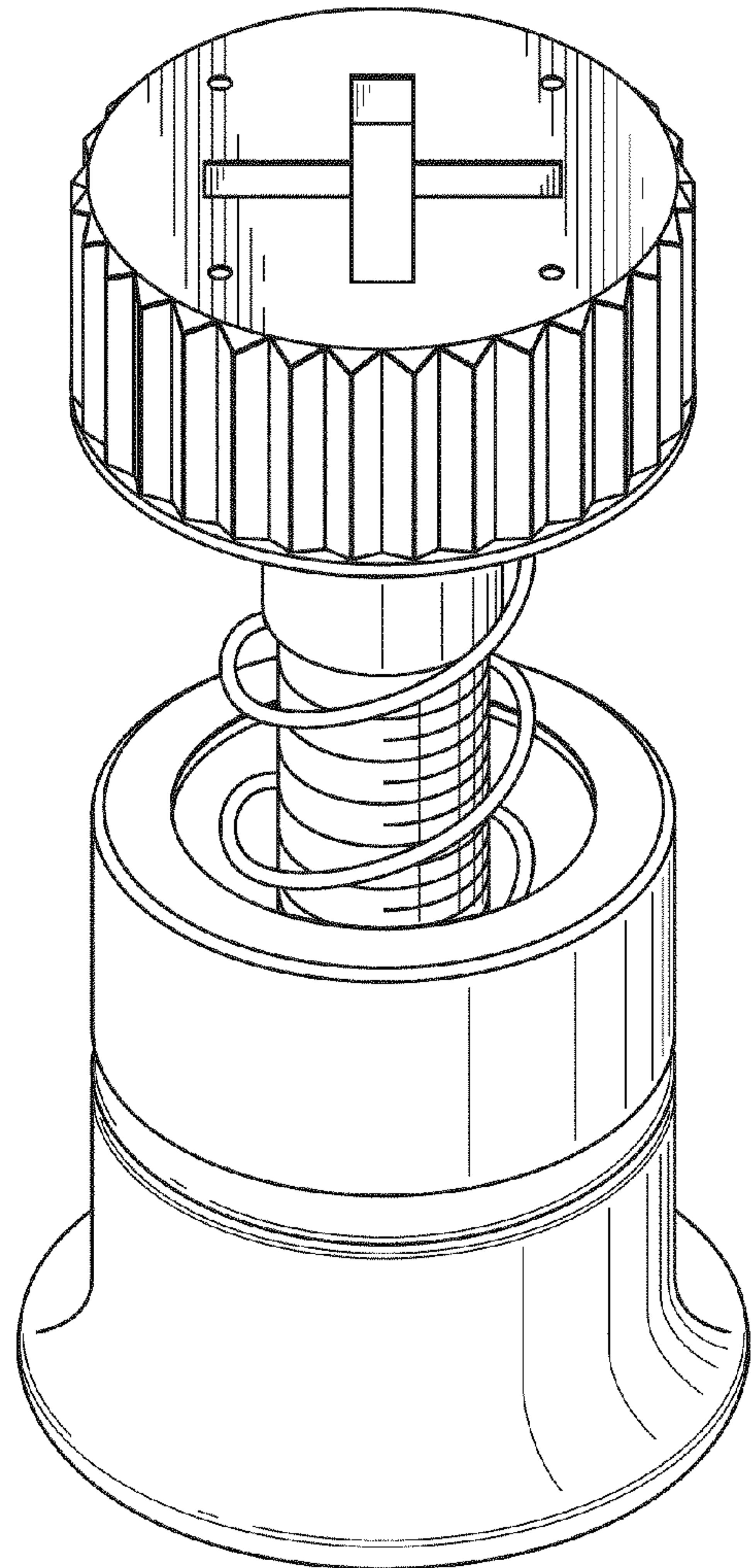


FIG. 2

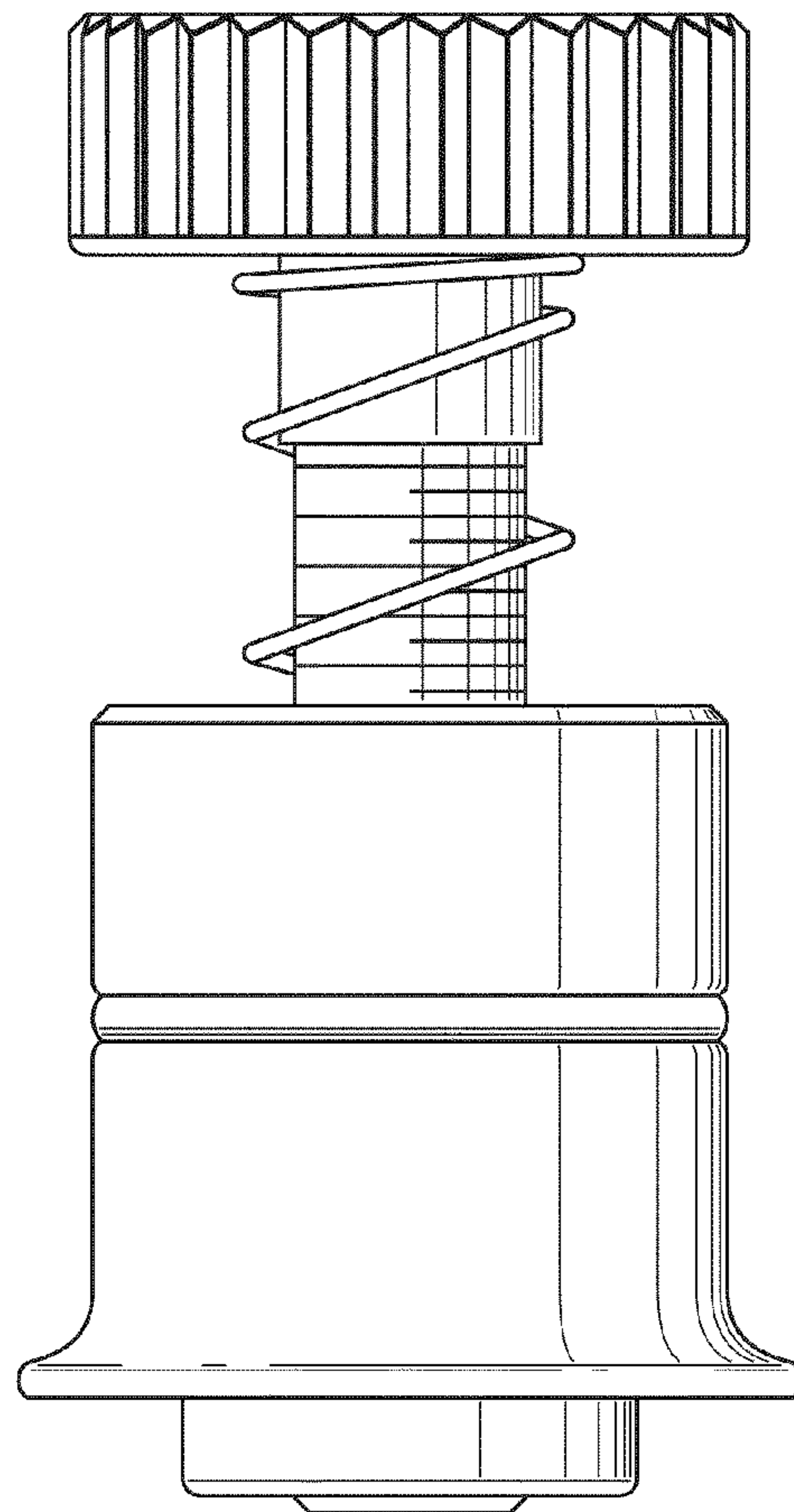


FIG. 3

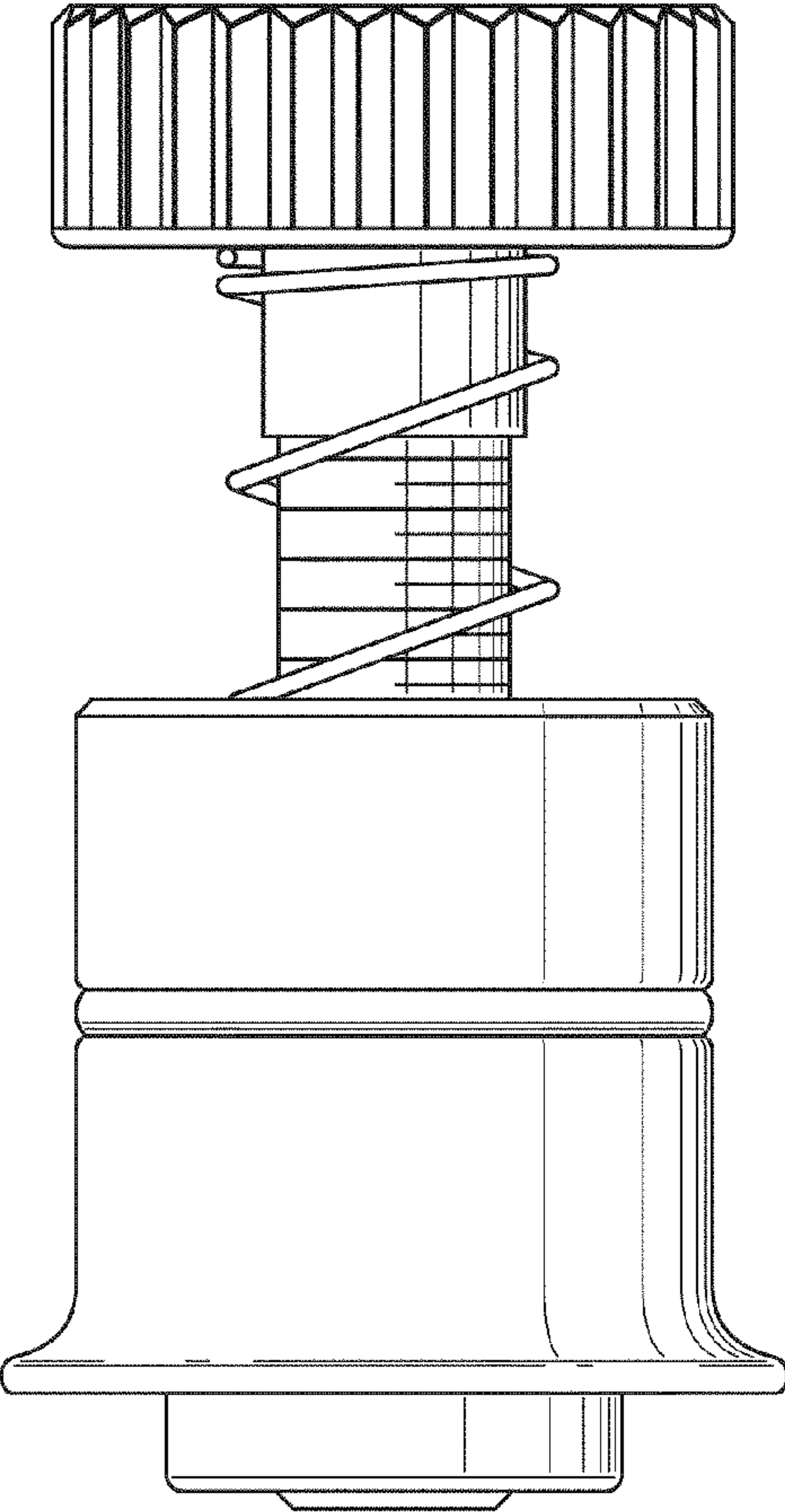


FIG. 4

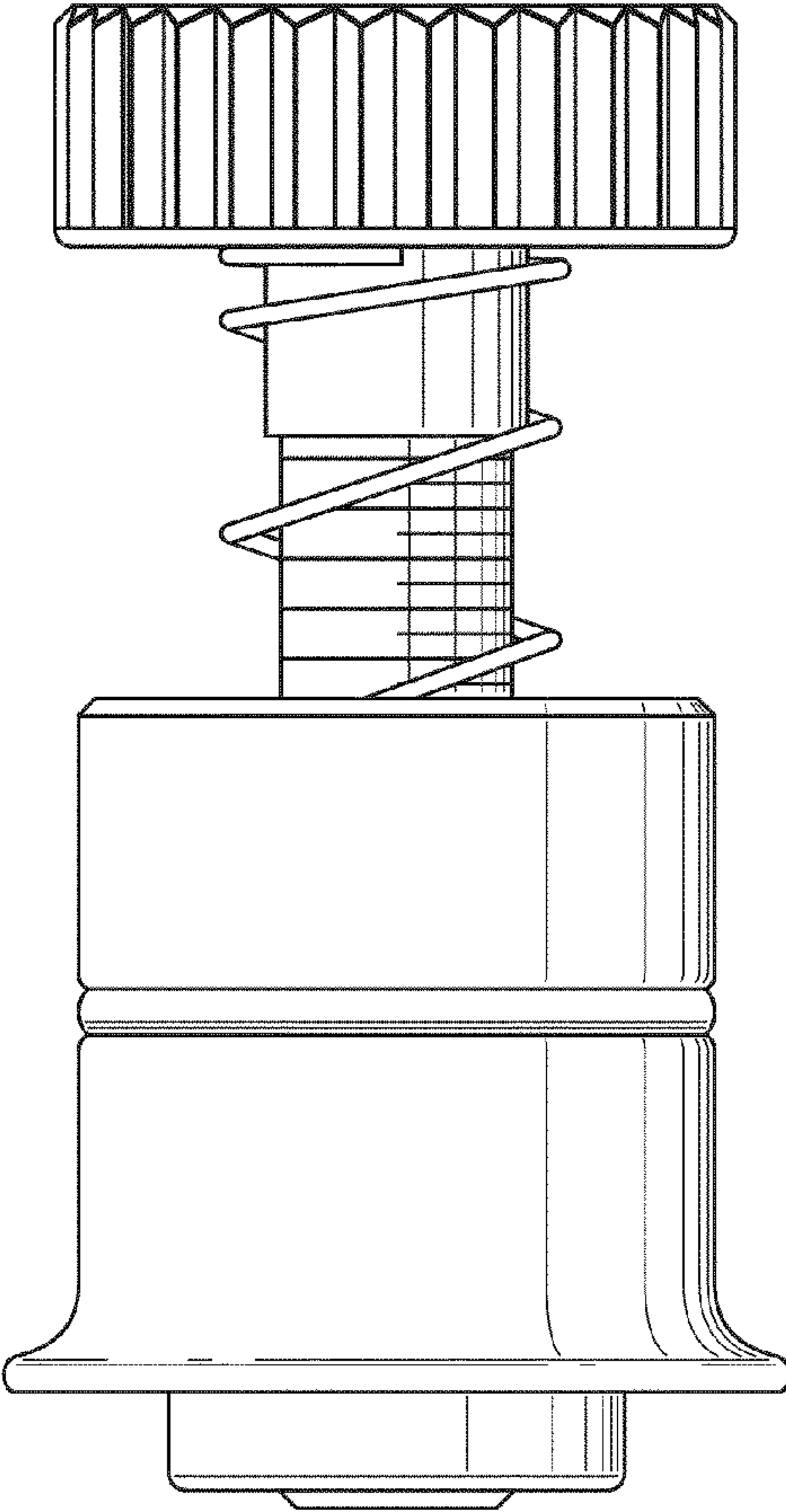


FIG. 5

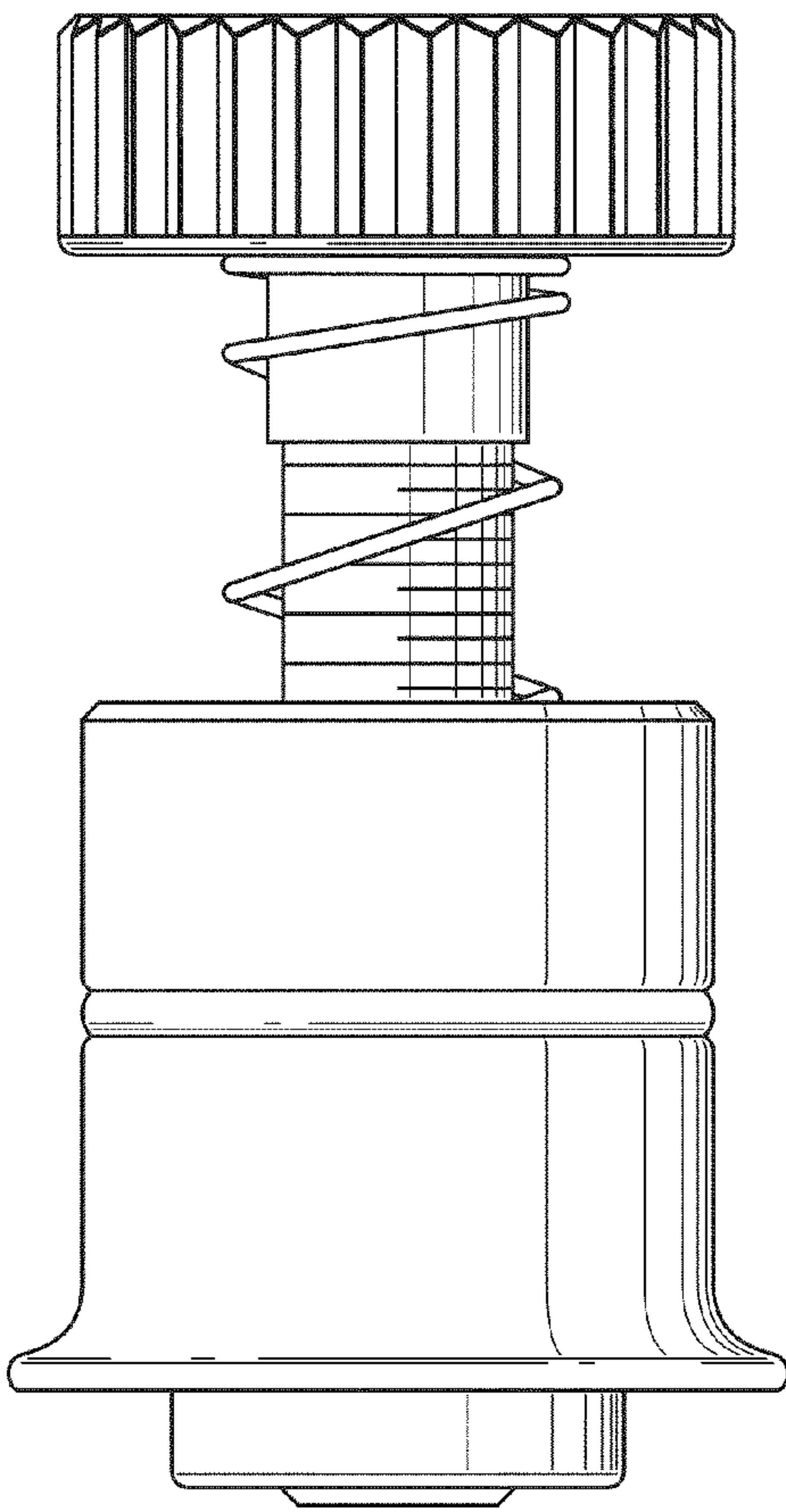


FIG. 6

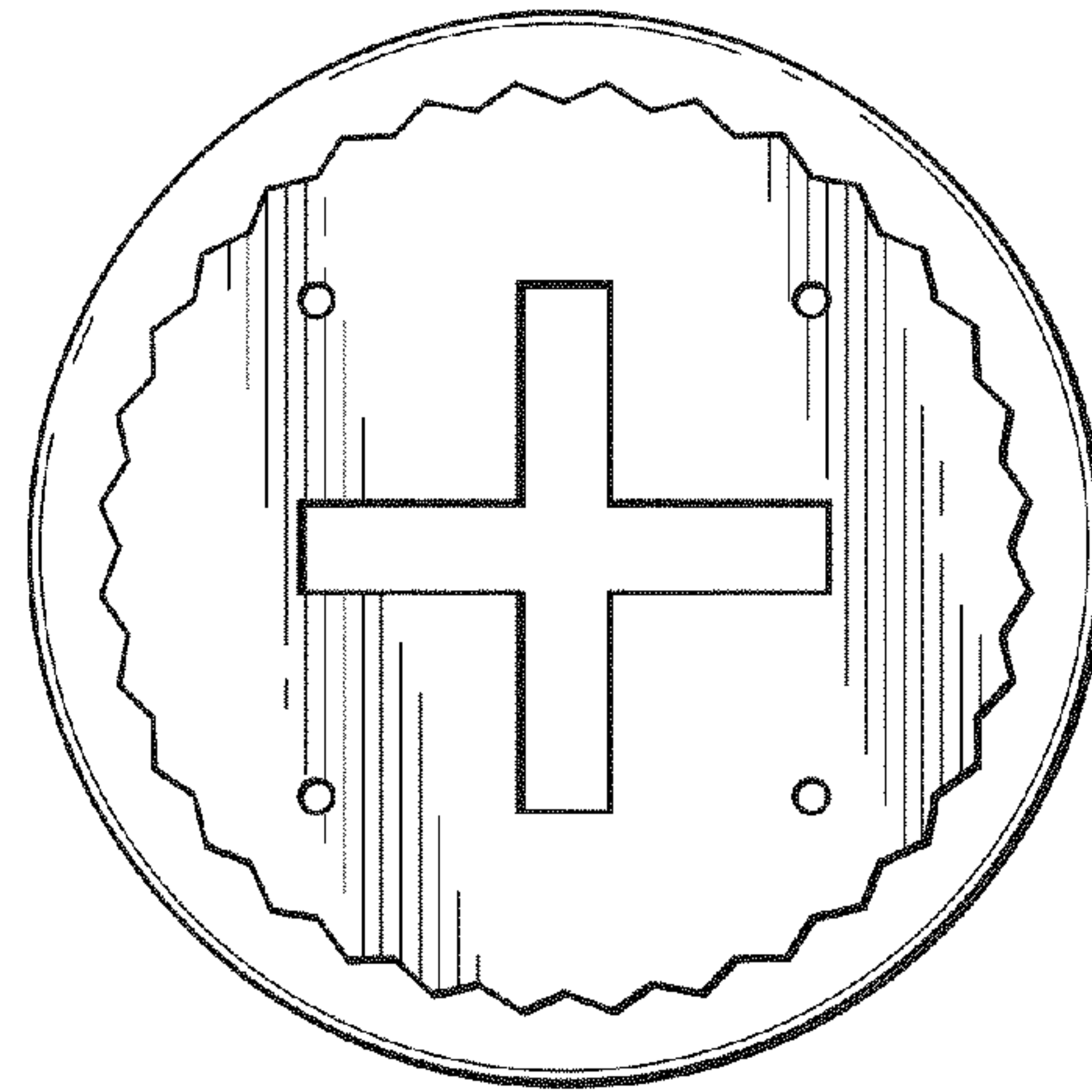


FIG. 7

