



US00D656391S

(12) **United States Design Patent**
McClain et al.

(10) **Patent No.:** **US D656,391 S**
(45) **Date of Patent:** **** Mar. 27, 2012**

(54) **MUDSILL ANCHOR**

(76) Inventors: **Thomas B. McClain**, Pleasanton, CA (US); **Scott James Fischer**, San Jose, CA (US); **Jin-Jie Lin**, Livermore, CA (US); **Paul Howard Oellerich**, Hayward, CA (US)

(**) Term: **14 Years**

(21) Appl. No.: **29/350,557**

(22) Filed: **Nov. 18, 2009**

(51) **LOC (9) Cl.** **08-08**

(52) **U.S. Cl.** **D8/382; D8/354**

(58) **Field of Classification Search** D8/382,
D8/349, 356, 354; 52/293.3, 701, 712, 714,
52/295

See application file for complete search history.

(56) **References Cited**

U.S. PATENT DOCUMENTS

589,079	A	8/1897	Glazier
887,217	A	5/1908	Oliphant
908,310	A	12/1908	McDonald
953,060	A	3/1910	Ross
1,741,776	A	12/1929	Isaacson
1,767,575	A	6/1930	Bujack
1,848,422	A	3/1932	Isaacson
1,909,984	A	5/1933	Prindle
2,431,104	A	11/1947	Bright
2,438,604	A	3/1948	Gogerty
2,467,115	A	4/1949	Duggan
2,829,514	A	4/1958	MacLean
2,920,477	A	1/1960	Shaw
3,000,145	A	9/1961	Fine

(Continued)

FOREIGN PATENT DOCUMENTS

AU 103 929 5/1938

OTHER PUBLICATIONS

Golden Gate Equipment, Mudsill Anchor, Catalog page, Jan. 1974.

(Continued)

Primary Examiner — Sheryl Lane

(74) *Attorney, Agent, or Firm* — James R. Cypher; Charles R. Cypher

(57) **CLAIM**

The ornamental design for the mudsill anchor, as shown and described.

DESCRIPTION

FIG. 1 is a perspective view of the mudsill anchor showing my design.

FIG. 2 is top plan view of the mudsill anchor of FIG. 1.

FIG. 3 is a right side elevation view of the mudsill anchor of FIG. 1.

FIG. 4 is a left side elevation view of the mudsill anchor of FIG. 1.

FIG. 5 is a bottom plan view of the mudsill anchor of FIG. 1.

FIG. 6 is a lower end elevation view of the mudsill anchor of FIG. 1.

FIG. 7 is a perspective view of an alternate embodiment of the mudsill anchor showing my design.

FIG. 8 is top plan view of the mudsill anchor of FIG. 7.

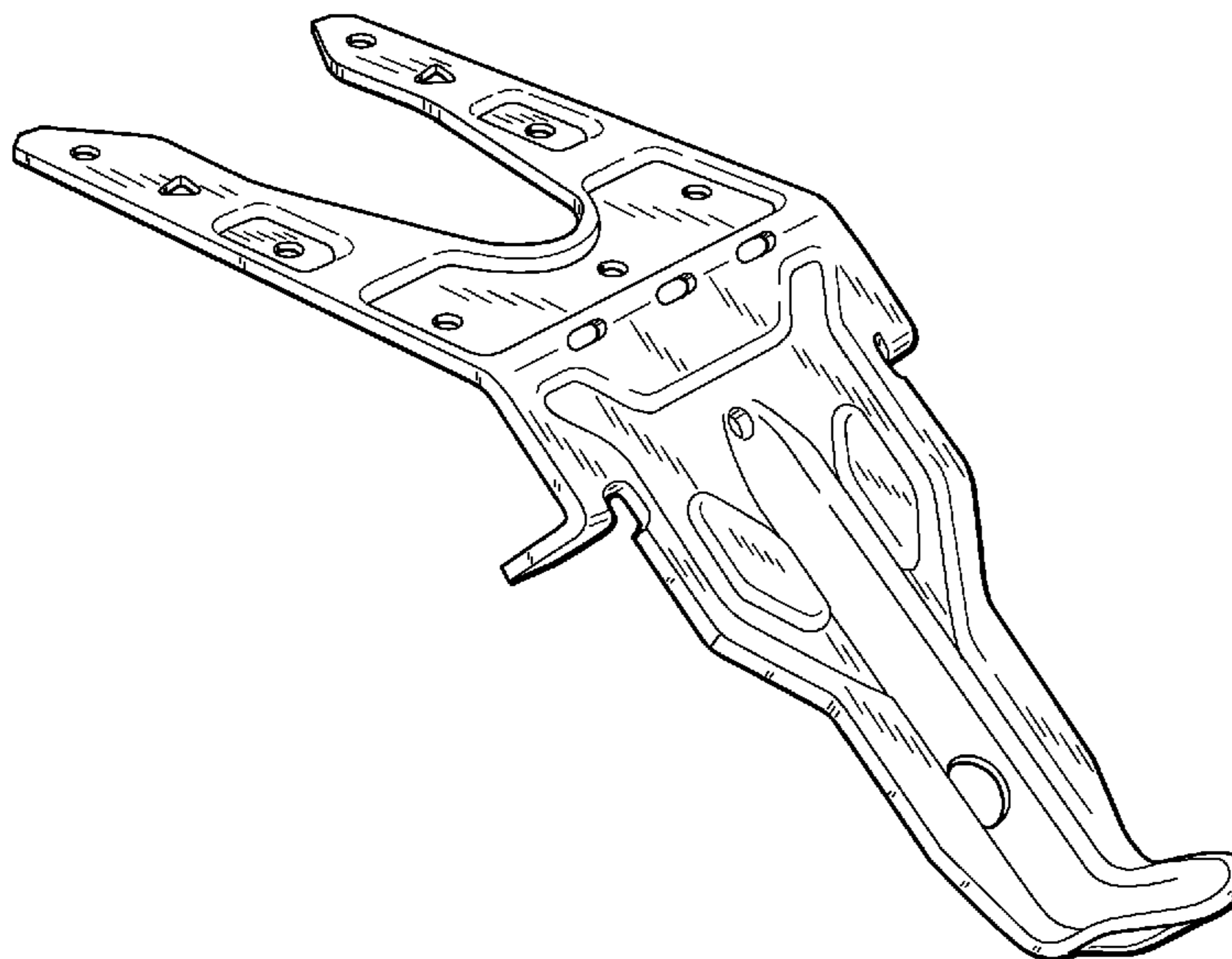
FIG. 9 is a right side elevation view of the mudsill anchor of FIG. 7.

FIG. 10 is a left side elevation view of the mudsill anchor of FIG. 7.

FIG. 11 is a bottom plan view of the mudsill anchor of FIG. 7; and,

FIG. 12 is a lower end elevation view of the mudsill anchor of FIG. 7.

1 Claim, 7 Drawing Sheets



US D656,391 S

Page 2

U.S. PATENT DOCUMENTS

3,122,223	A	2/1964	Chell	
3,172,238	A	3/1965	Sandin	
3,413,773	A	12/1968	Fitzgerald	
3,422,585	A	1/1969	Dismukes	
3,471,988	A	10/1969	Allen	
3,729,882	A	5/1973	Allen	
3,750,360	A	8/1973	Kingston	
3,782,058	A	1/1974	Allen	
3,889,440	A	6/1975	Sutter	
3,889,441	A	6/1975	Fortine	
3,893,274	A	7/1975	Salisbury	
3,998,026	A	12/1976	Allen	
4,005,942	A	2/1977	Gilb	
4,096,677	A	6/1978	Gilb	
4,202,149	A	5/1980	Betrue, Sr.	
4,329,826	A	5/1982	Flogaus et al.	
4,404,781	A	9/1983	Gilb	
4,413,456	A	11/1983	Gilb	
4,422,279	A	12/1983	Powell	
4,570,403	A	2/1986	Dannemiller	
4,706,428	A	11/1987	McCoy et al.	
4,739,598	A *	4/1988	Jensen et al.	52/295
4,924,648	A	5/1990	Gilb et al.	
4,932,818	A	6/1990	Garwood	
D312,205	S *	11/1990	de Rooij	D8/373
5,060,436	A	10/1991	Delgado, Jr.	
5,072,570	A	12/1991	Johnson	
5,143,472	A	9/1992	Reed et al.	
5,150,553	A	9/1992	Commins et al.	
5,317,850	A	6/1994	Colonias et al.	
5,357,721	A	10/1994	Alvarez	
5,379,563	A	1/1995	Tinsley	
5,390,455	A	2/1995	Antolini	
5,442,887	A	8/1995	Welsh	
5,467,569	A	11/1995	Chiodo	
5,595,031	A	1/1997	Commins	
D394,862	S *	6/1998	Fischer	D14/253

5,813,182	A	9/1998	Commins	
D427,893	S *	7/2000	Lappin et al.	D8/382
D435,212	S *	12/2000	Philippe	D8/354
6,560,943	B1	5/2003	Leek et al.	
6,658,806	B1	12/2003	Leek	
D492,888	S *	7/2004	Wilson	D8/349
6,796,099	B1	9/2004	Georges et al.	
7,254,919	B2	8/2007	Lutz et al.	
D556,015	S *	11/2007	Muchnik	D8/354
7,356,973	B2 *	4/2008	Roesset et al.	52/712
D612,226	S *	3/2010	Dinh	D8/356
7,762,031	B2	7/2010	Leek et al.	
7,793,476	B2	9/2010	Sanders et al.	
2004/0040236	A1	3/2004	Adams	
2009/0165409	A1 *	7/2009	McClain et al.	52/293.3

OTHER PUBLICATIONS

Silver Metal Products, FA Foundation Anchor, Catalog page, Apr. 1972.

Simpson Strong-Tie Company, Strong-Tie Connectors, Jan. 1981, Catalog No. 81H-1, p. 3, San Leandro, CA.

Simpson Strong-Tie Company, Strong-Tie Connectors, Jan. 1979, Catalog No. 79H-1, page 5, San Leandro, CA.

Simpson Strong-Tie Company, Connectors for Wood Construction Product & Instruction Manual, Jan. 1995, C95H-1, pp. 18 and 19, Pleasanton, CA.

Simpson Strong-Tie Company, Wood Construction Connectors, Jan. 1998, C98, p. 9, Pleasanton, CA.

Simpson Strong-Tie Company, Wood Construction Connectors, Dec. 2007, C-2008, pp. 22,23,24, Pleasanton, CA.

Office Action from currently pending U.S. Appl. No. 12/259,042 owned by the Assignee, Simpson Strong-Tie Company, Inc.

Office Action, dated Apr. 20, 2011, from currently pending U.S. Appl. 12/259,042 owned by the Assignee, Simpson Strong-Tie Company, Inc.

* cited by examiner

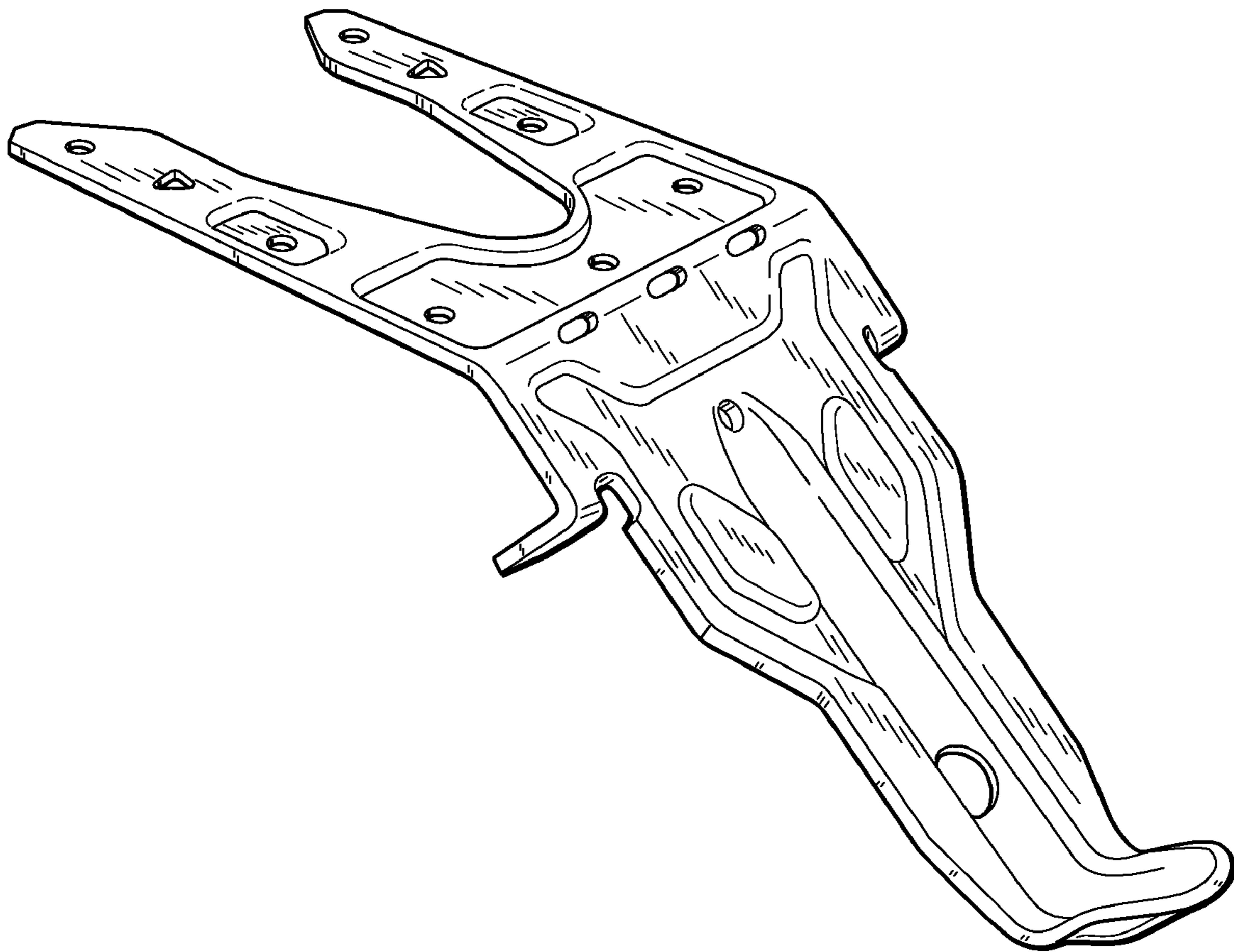


FIG. 1

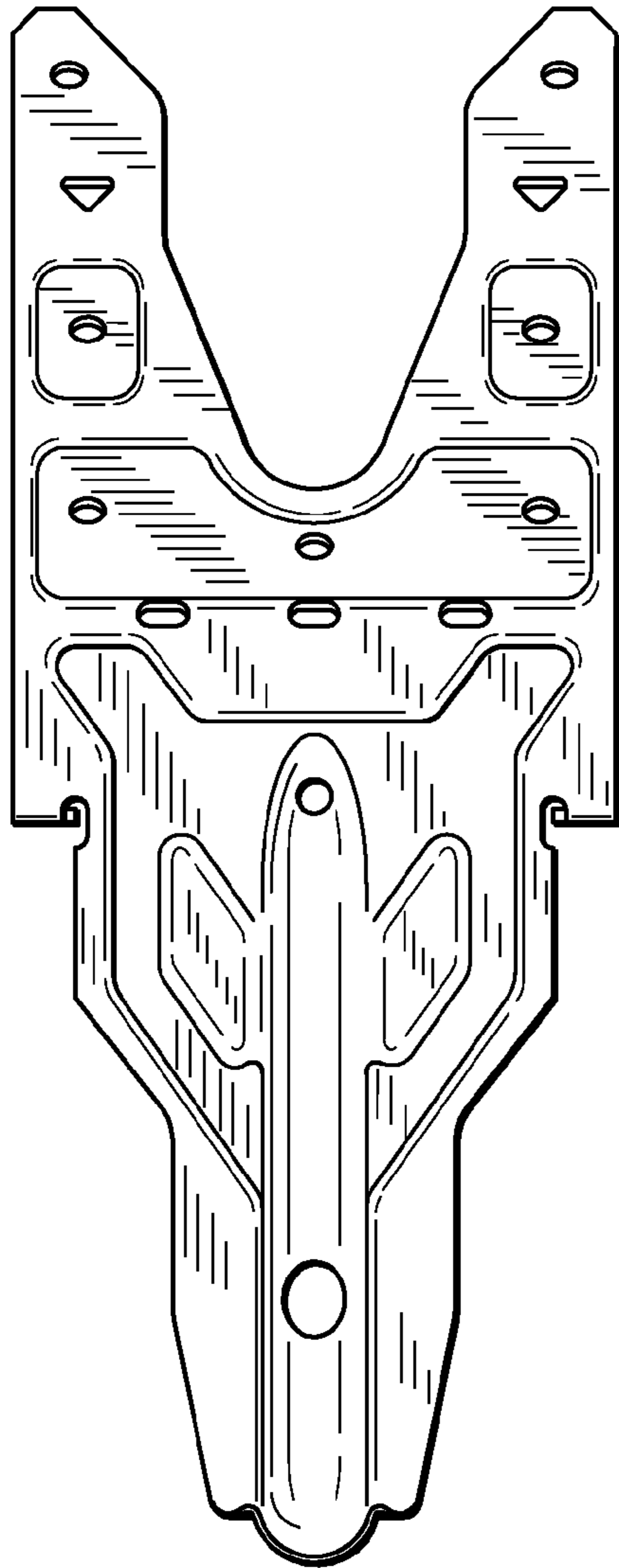


FIG._2

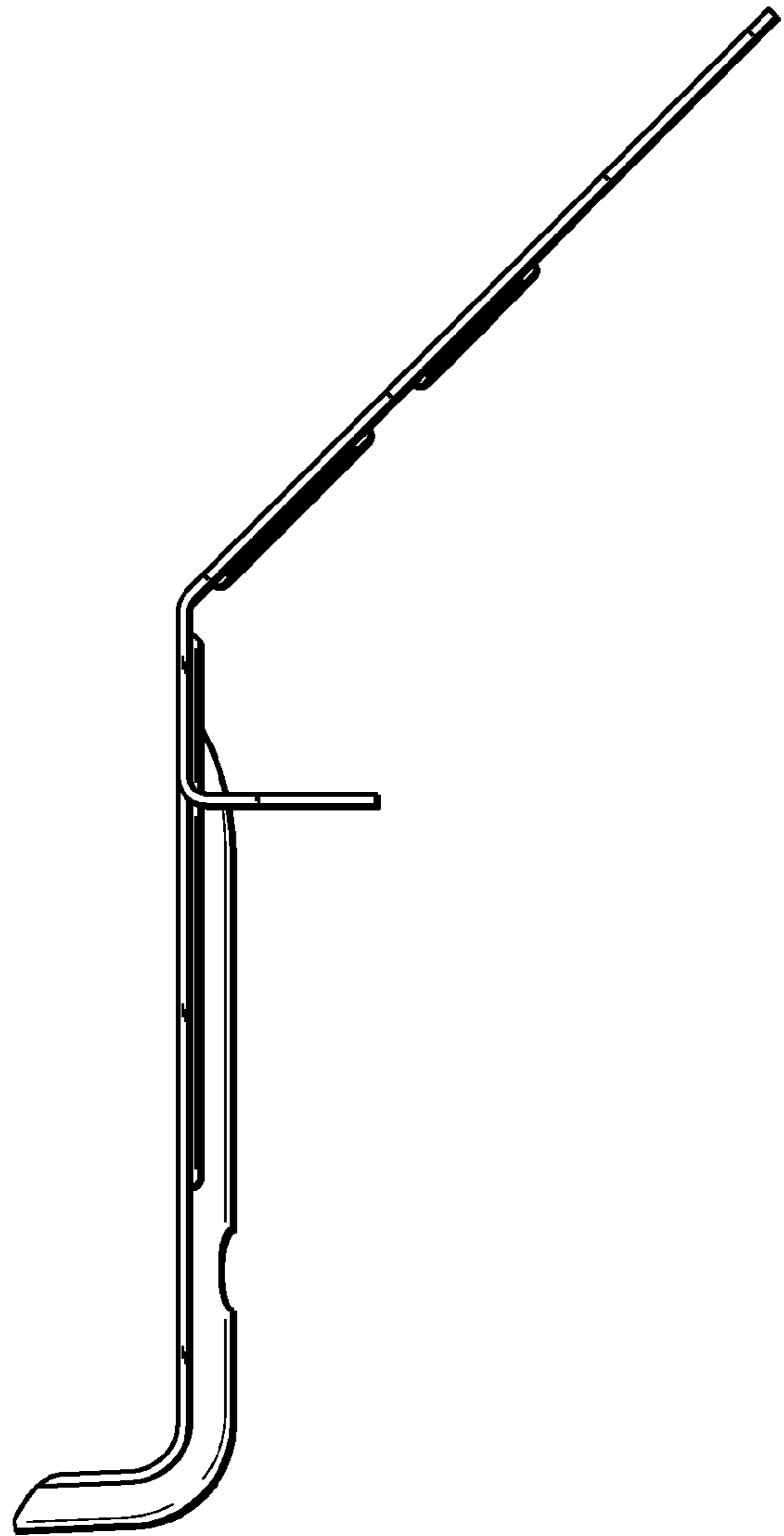


FIG._3

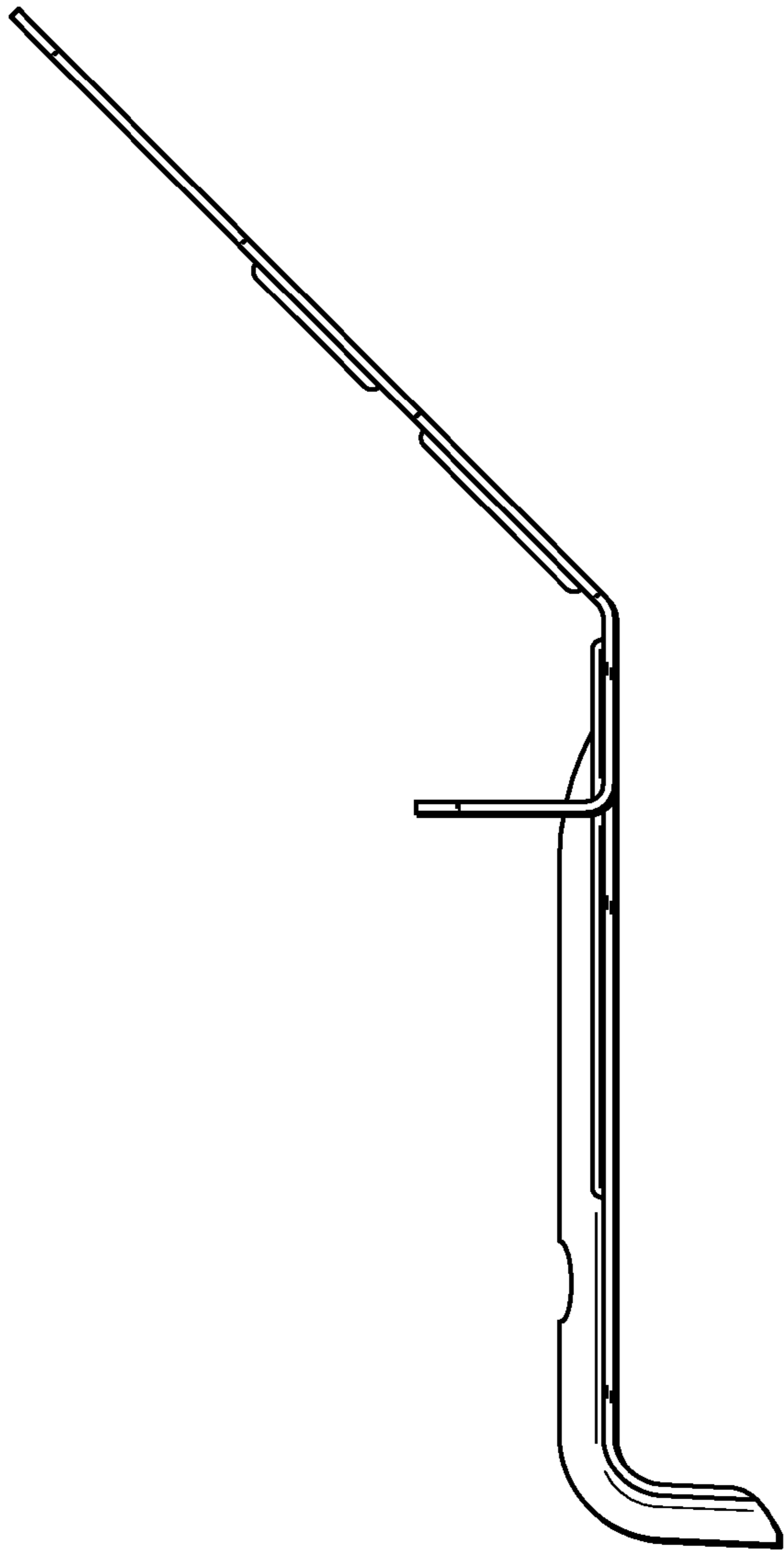


FIG._4

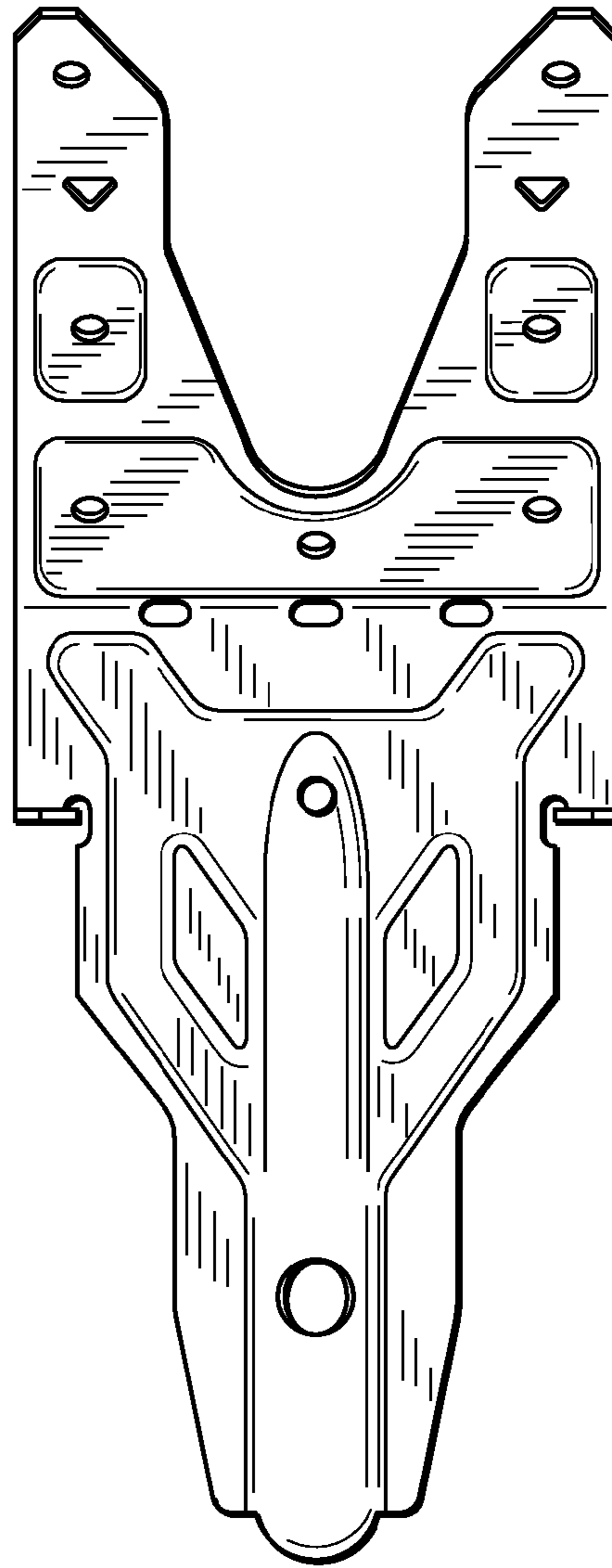


FIG._5

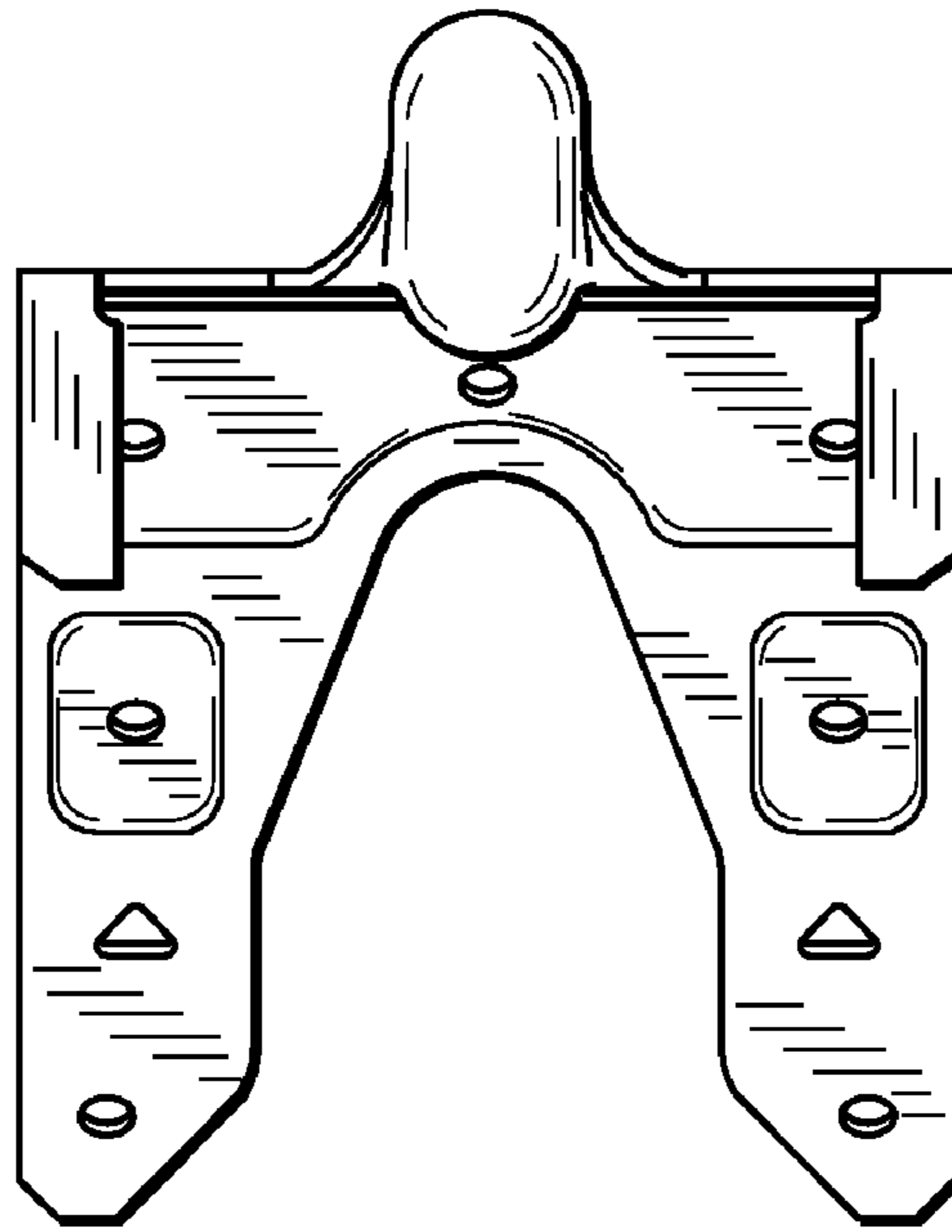


FIG. 6

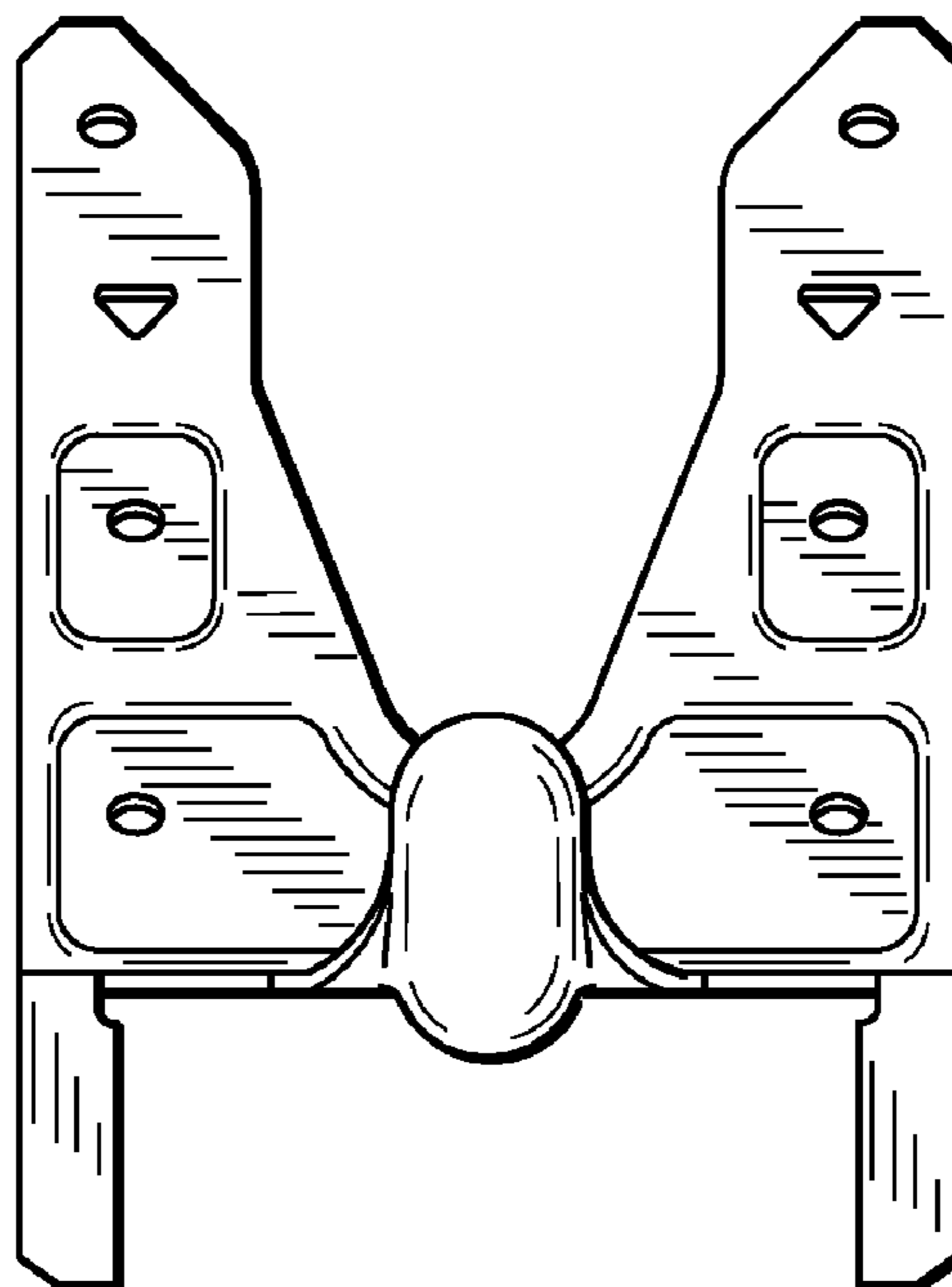


FIG. 12

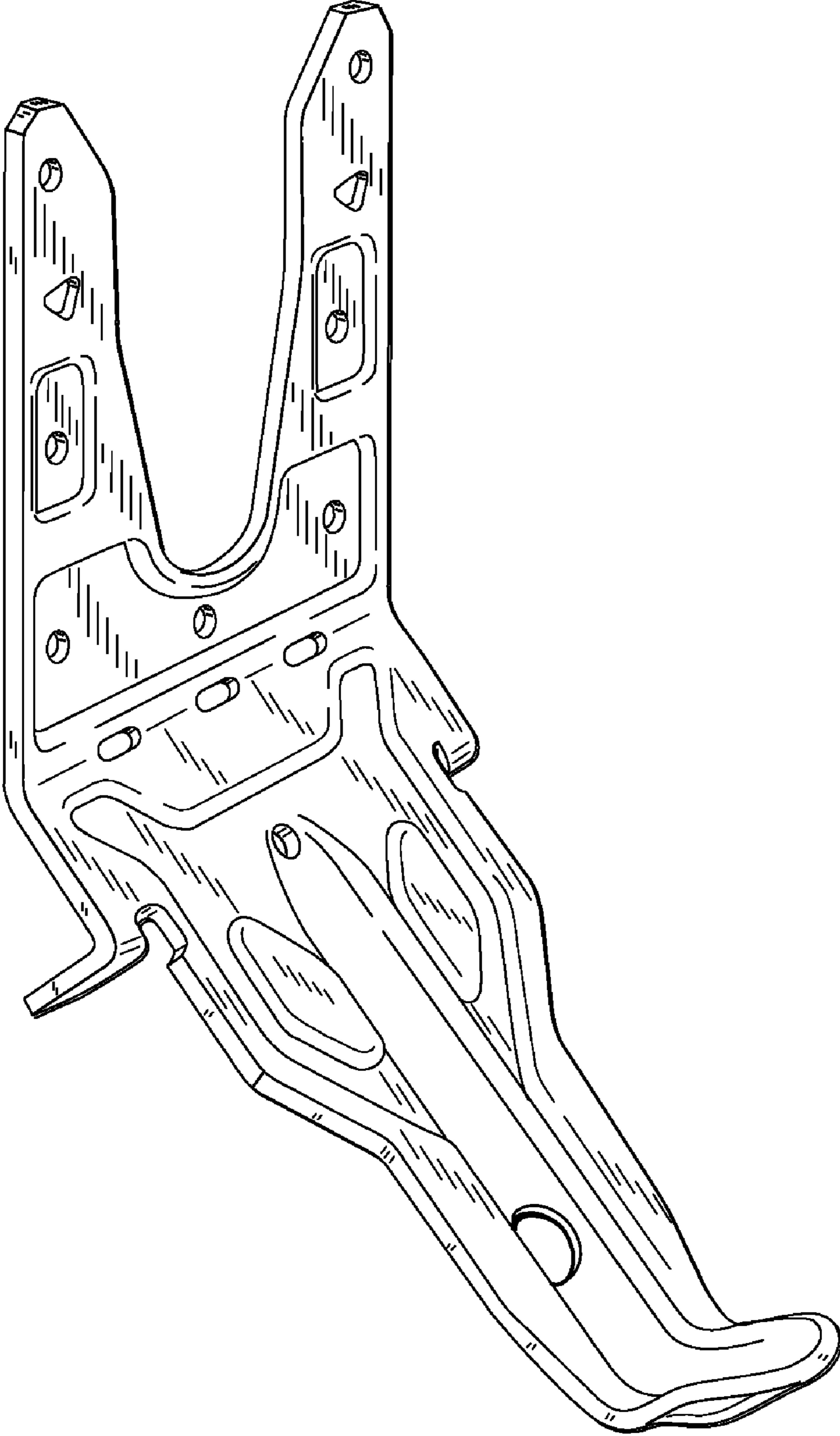


FIG. 7

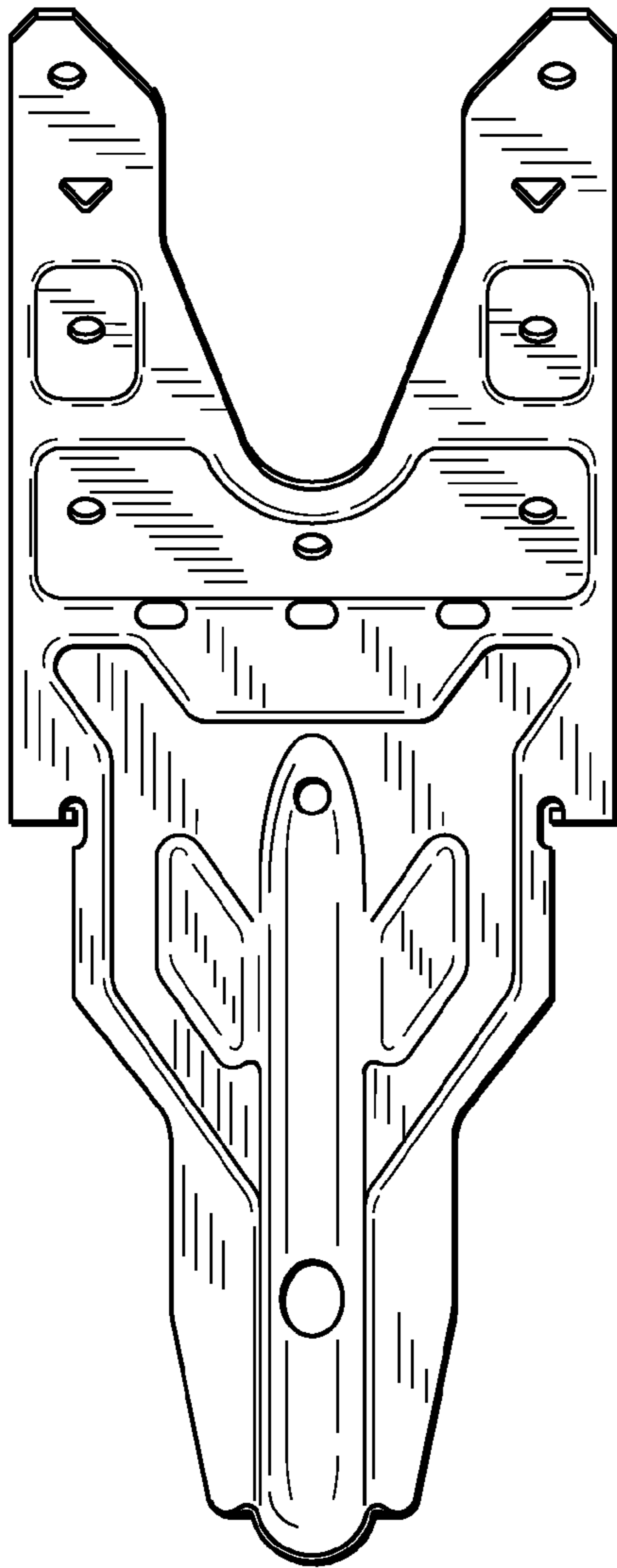


FIG._8

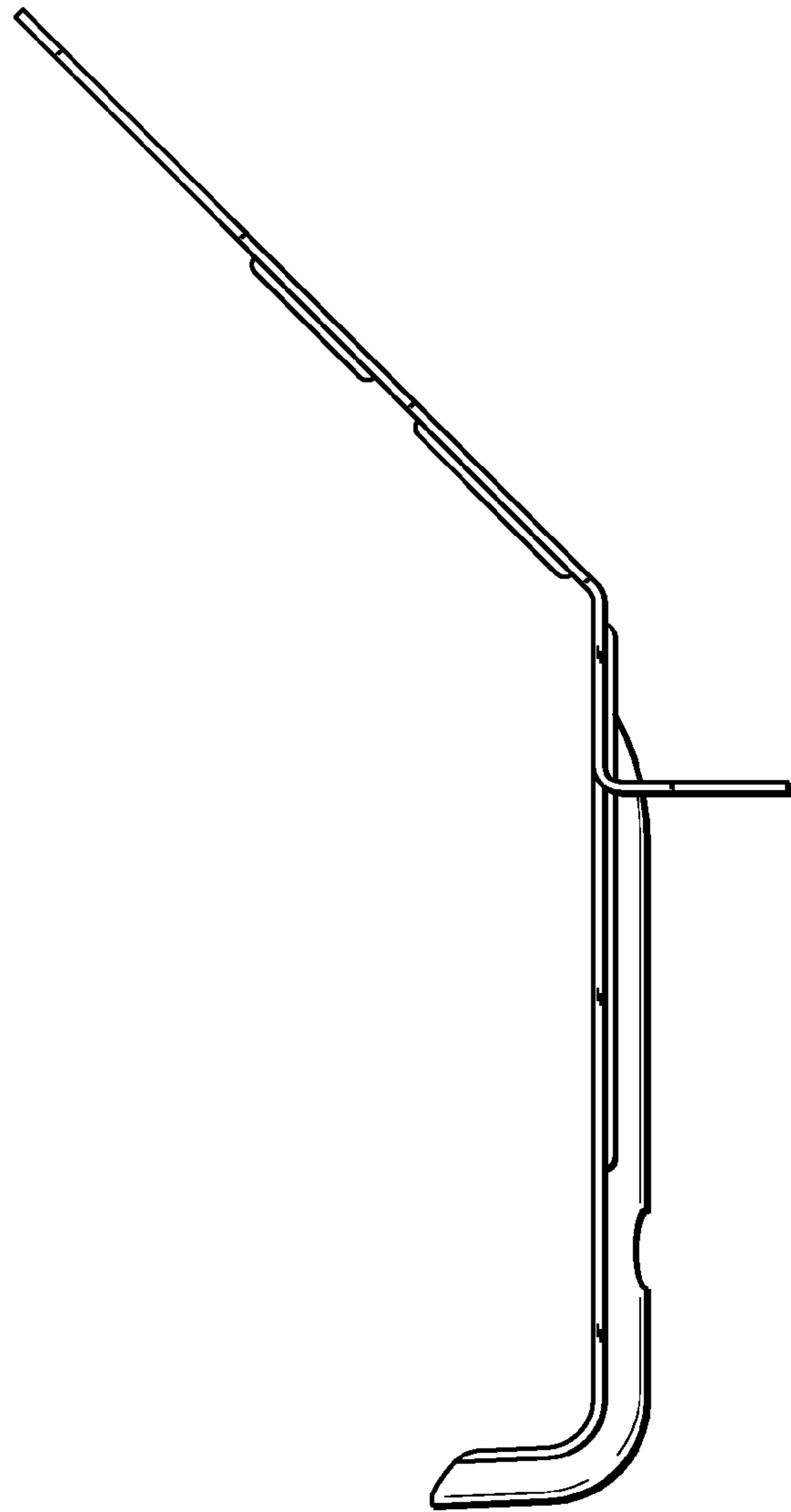


FIG._9

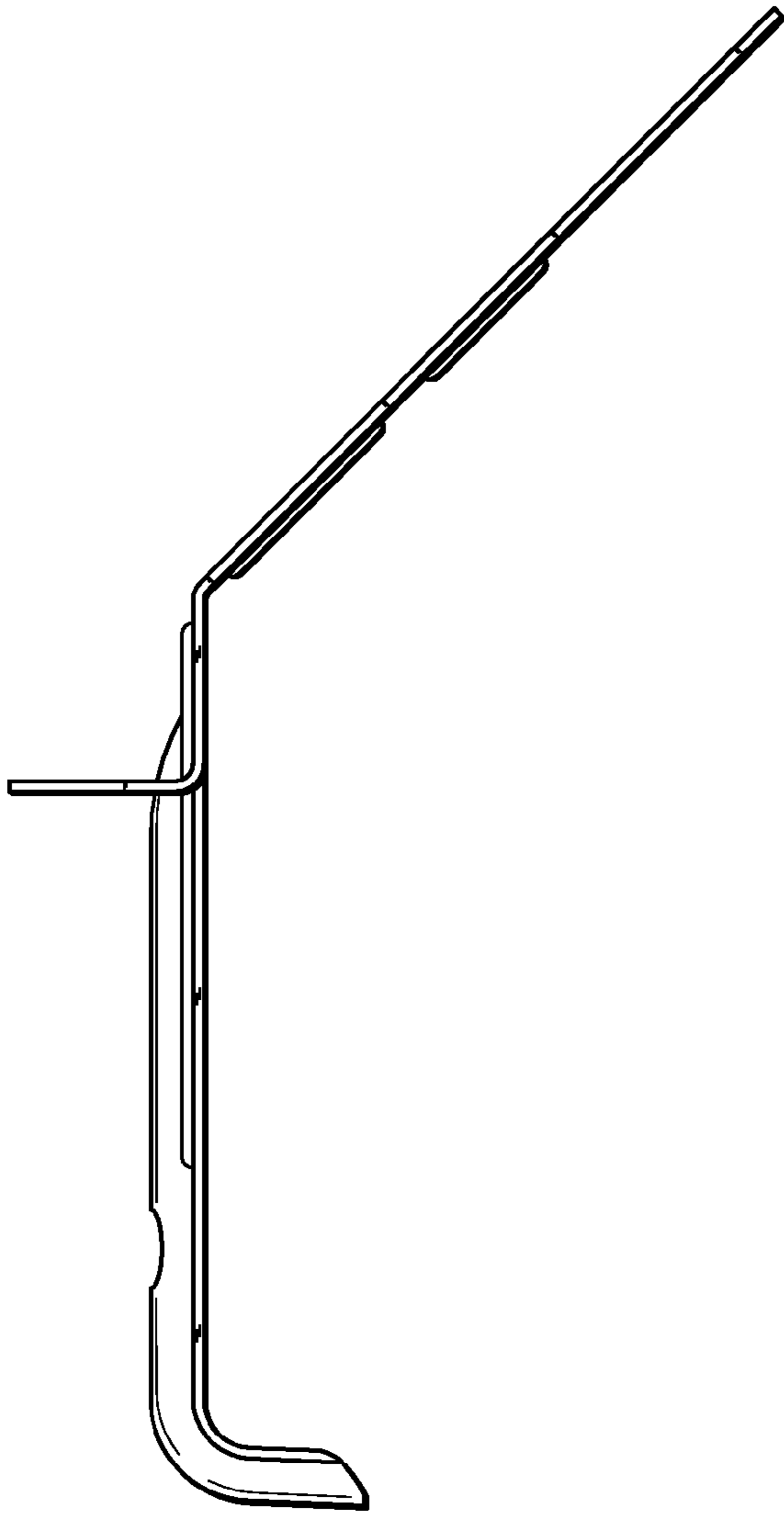


FIG._10

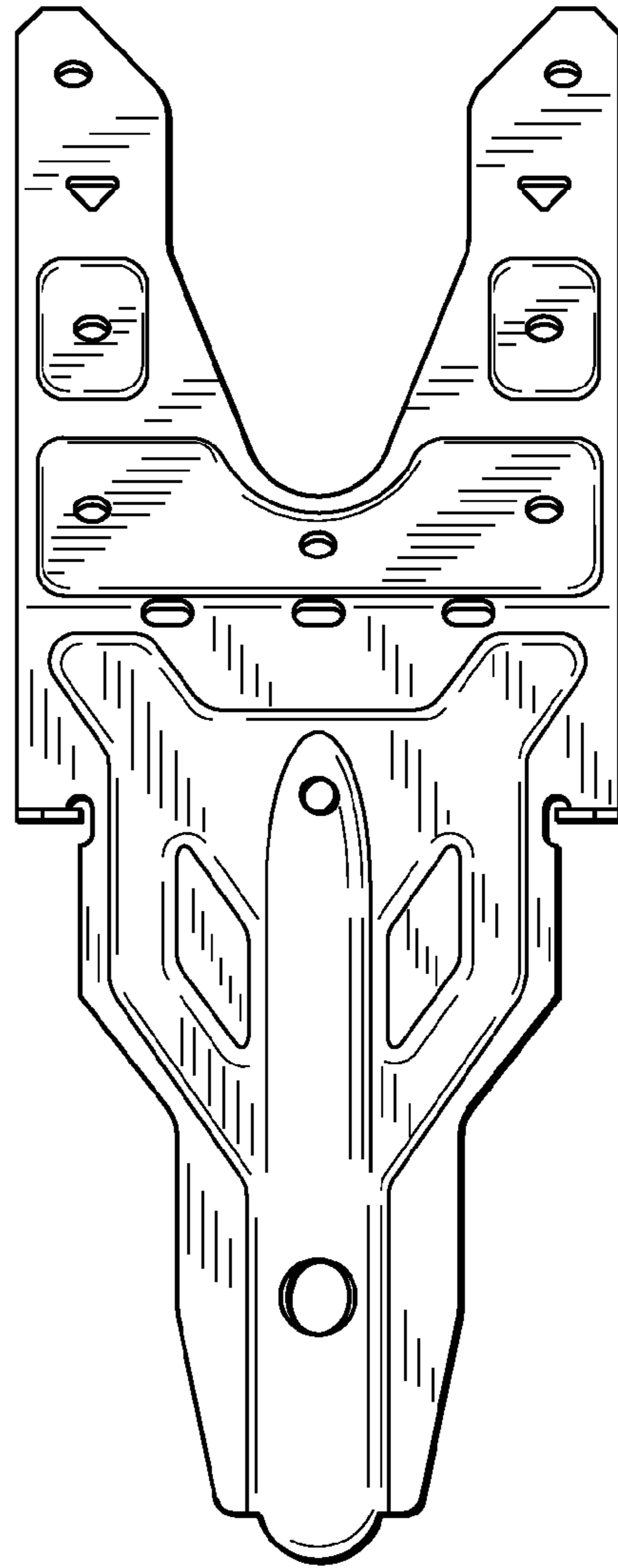


FIG._11