



US00D656388S

(12) **United States Design Patent**
Hecht

(10) **Patent No.:** **US D656,388 S**

(45) **Date of Patent:** **** *Mar. 27, 2012**

- (54) **FLOW SETTING FRAME**
- (75) Inventor: **Thomas R. Hecht**, Winters, CA (US)
- (73) Assignee: **Automatic Bar Controls, Inc.**,
Vacaville, CA (US)
- (*) Notice: This patent is subject to a terminal disclaimer.
- (**) Term: **14 Years**
- (21) Appl. No.: **29/380,331**
- (22) Filed: **Dec. 2, 2010**
- (51) **LOC (9) Cl.** **08-05**
- (52) **U.S. Cl.** **D8/356**
- (58) **Field of Classification Search** D23/233–237,
D23/244–249; D8/105, 107, 333, 349, 354,
D8/356, 367, 373, 382, 383, 394, 396, 400;
D12/223; D13/154, 155, 184; 174/68.1,
174/68.3, 72 A, 72 R, 80, 97, 101, 135, 153 G,
174/480, 481, 504, 650, 656; 248/65, 74.1–74.4,
248/201, 214, 215, 218.4, 219.1, 219.3–219.4,
248/229.26, 300, 302, 304, 316.7, 316.8;
439/131, 135, 142, 365, 368, 371, 472, 501,
439/535, 445, 719; 361/826; 365/134, 135
See application file for complete search history.

- D478,965 S * 8/2003 Ferrer Beltran D23/233
- D502,762 S * 3/2005 Kriegshauser D23/233
- D504,715 S * 5/2005 Hagihara D23/235
- D538,889 S * 3/2007 Marstorp D23/233
- D539,387 S * 3/2007 Donovan et al. D23/233
- D559,955 S * 1/2008 Donovan et al. D23/233
- D616,730 S * 6/2010 Dennes D8/356
- D625,168 S * 10/2010 Chen D8/354
- D625,381 S * 10/2010 Asaoka D22/120
- 7,825,337 B2 * 11/2010 Young, IV 174/72 A
- D638,691 S * 5/2011 Hoek D8/356

* cited by examiner

Primary Examiner — Cathron C. Brooks

Assistant Examiner — Maurice Stevens

(74) *Attorney, Agent, or Firm* — Kilpatrick Townsend & Stockton LLP

(57) **CLAIM**

The ornamental design for a flow setting frame, as shown and described.

DESCRIPTION

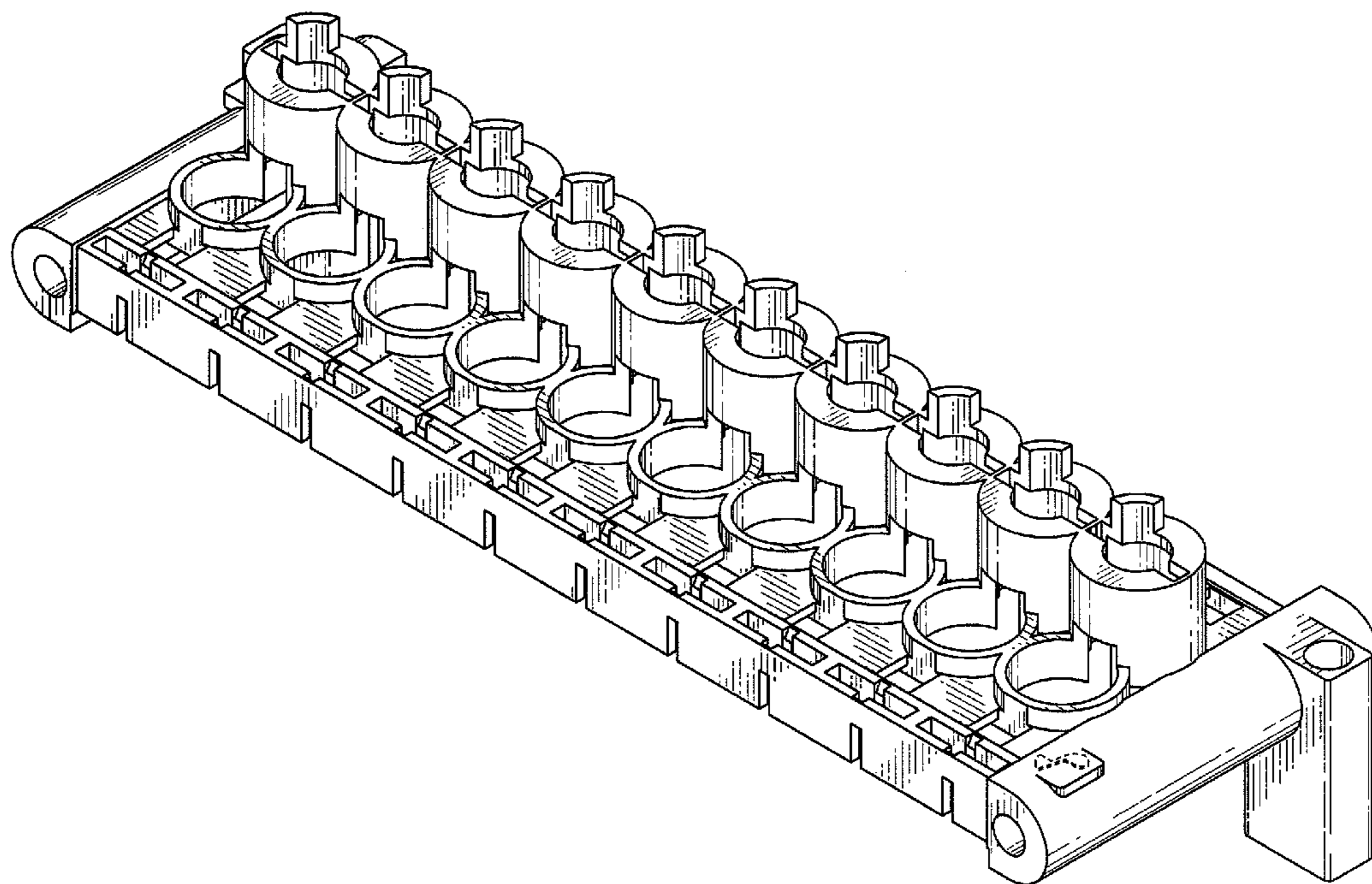
FIG. 1 is a top perspective view of a flow setting frame showing my new design;
 FIG. 2 is a bottom perspective view thereof;
 FIG. 3 is a top plan view thereof;
 FIG. 4 is a bottom plan view thereof;
 FIG. 5 is a front elevational view thereof;
 FIG. 6 is a rear elevational view thereof;
 FIG. 7 is a right side elevational view thereof; and,
 FIG. 8 is a left side elevational view thereof.
 The broken line showings form no part of the claimed design.

(56) **References Cited**

U.S. PATENT DOCUMENTS

- D442,260 S * 5/2001 Marzec et al. D23/233
- D476,718 S * 7/2003 Ferrer Beltran D23/209

1 Claim, 6 Drawing Sheets



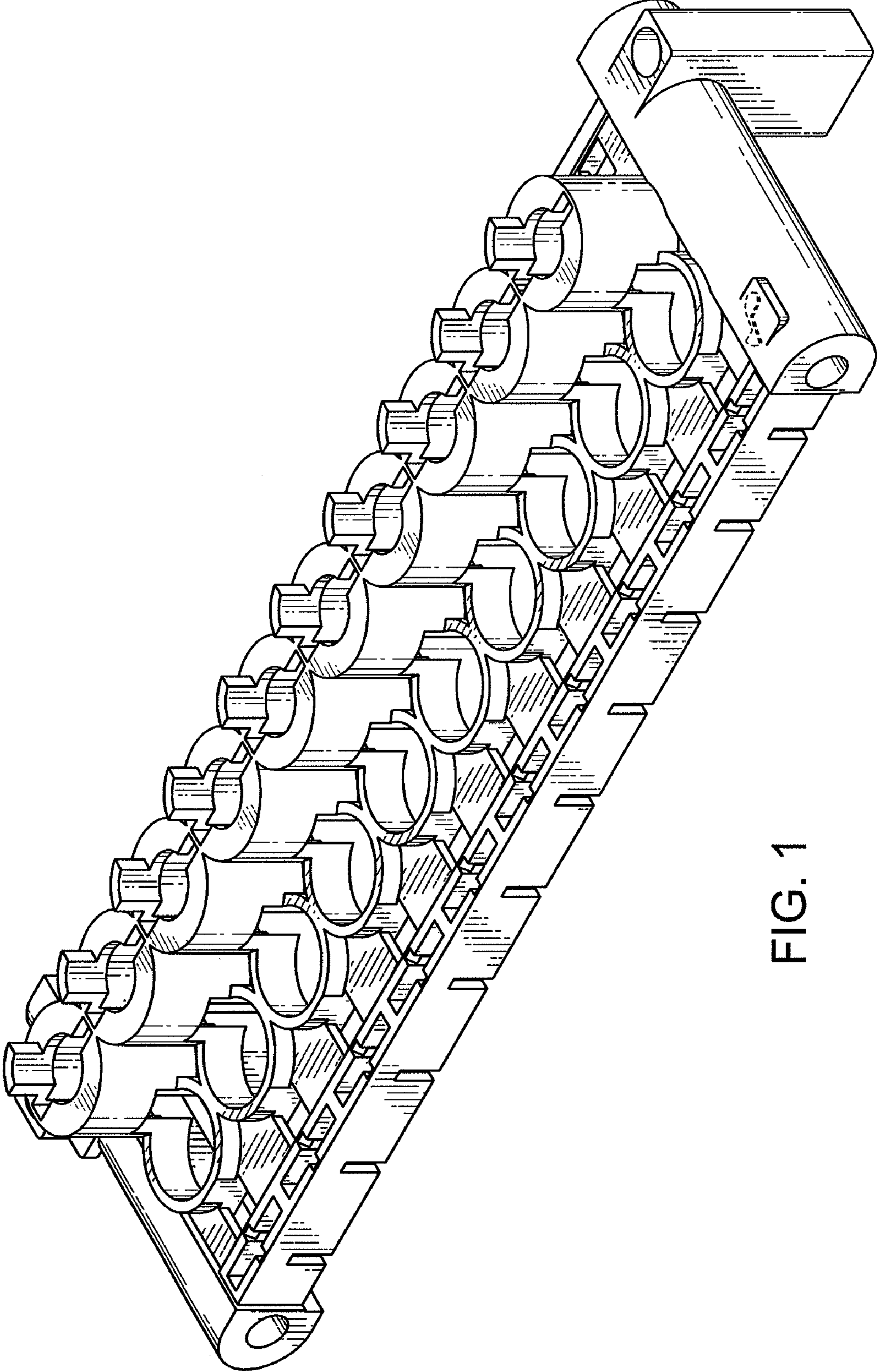


FIG. 1

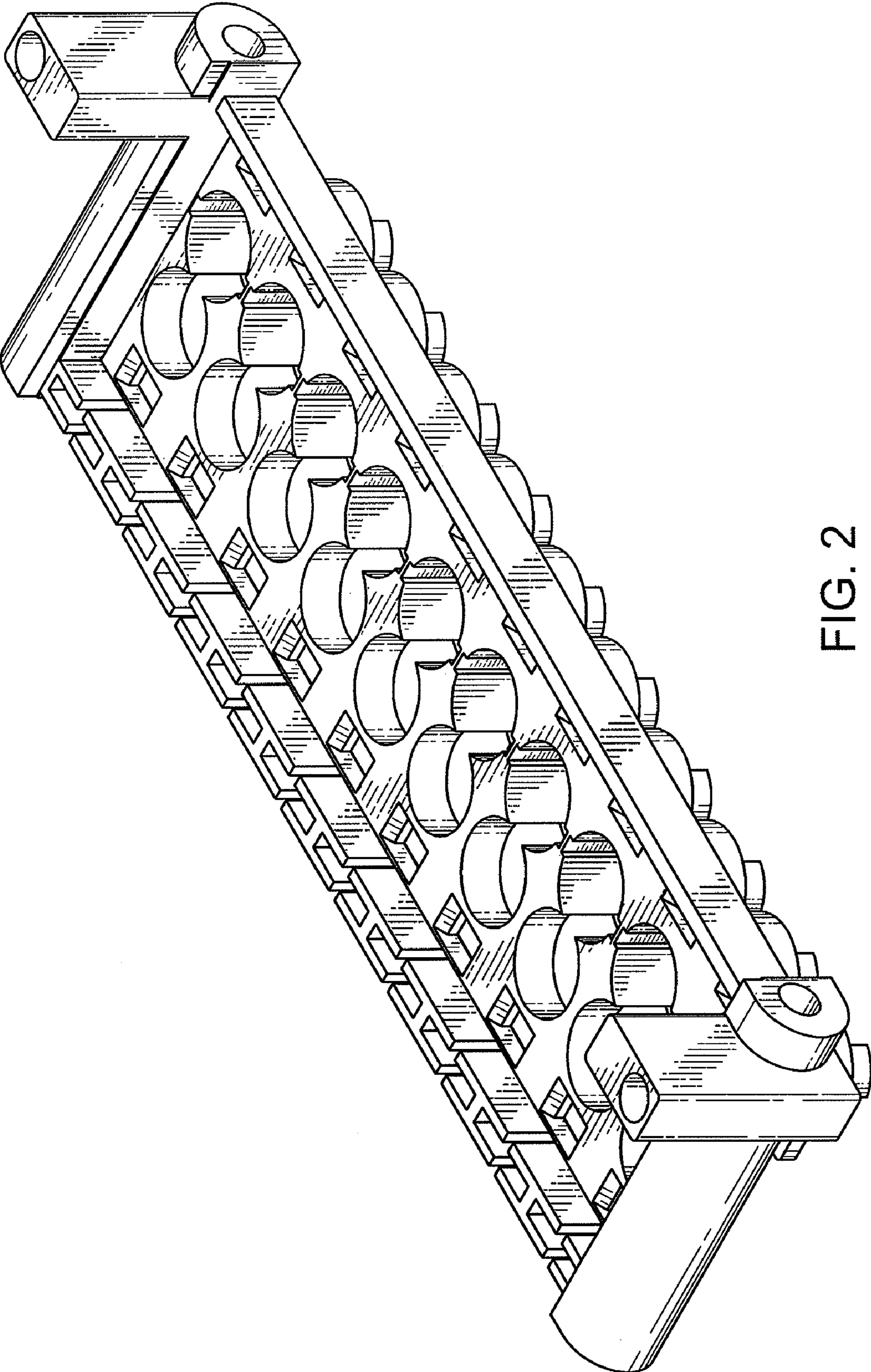


FIG. 2

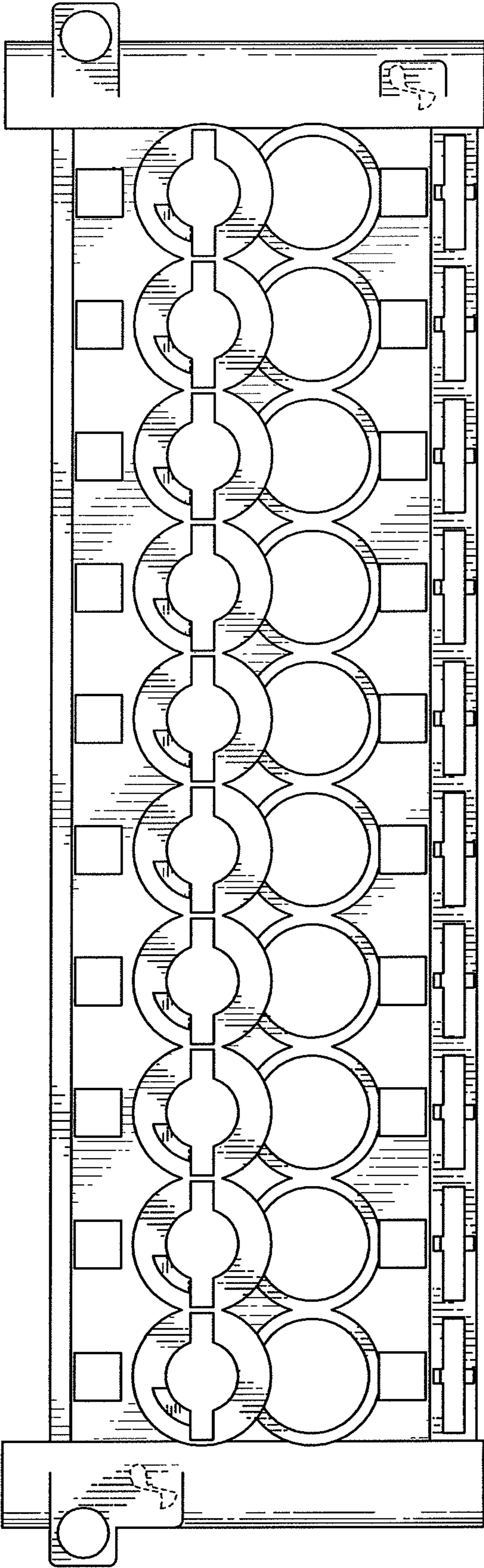


FIG. 3

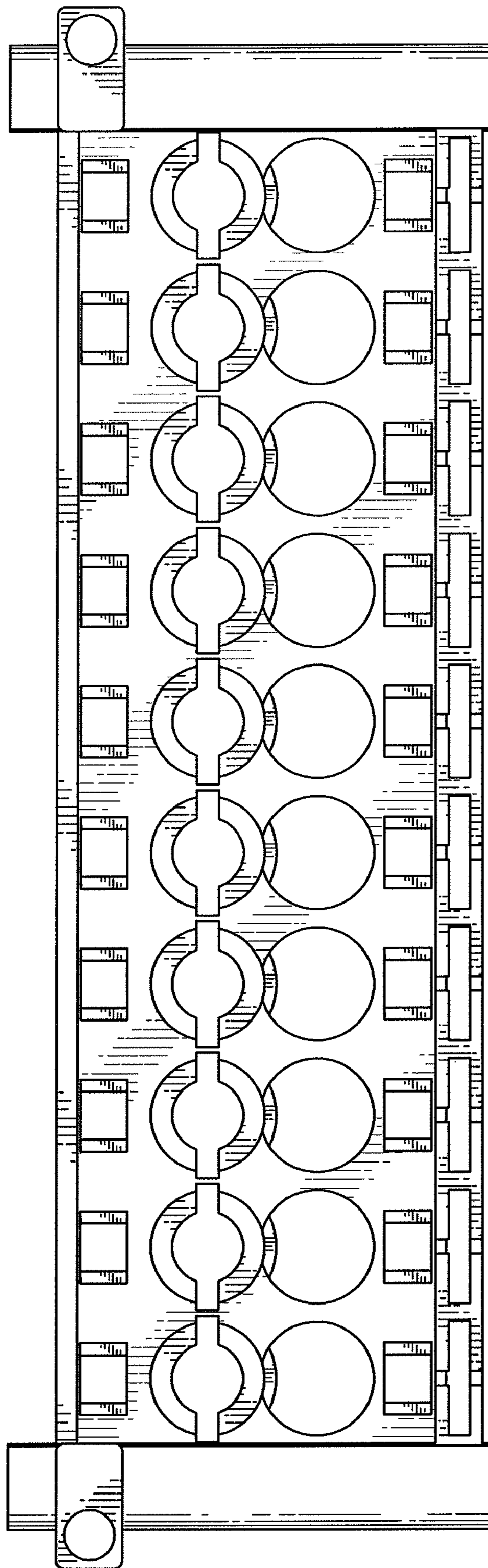


FIG. 4

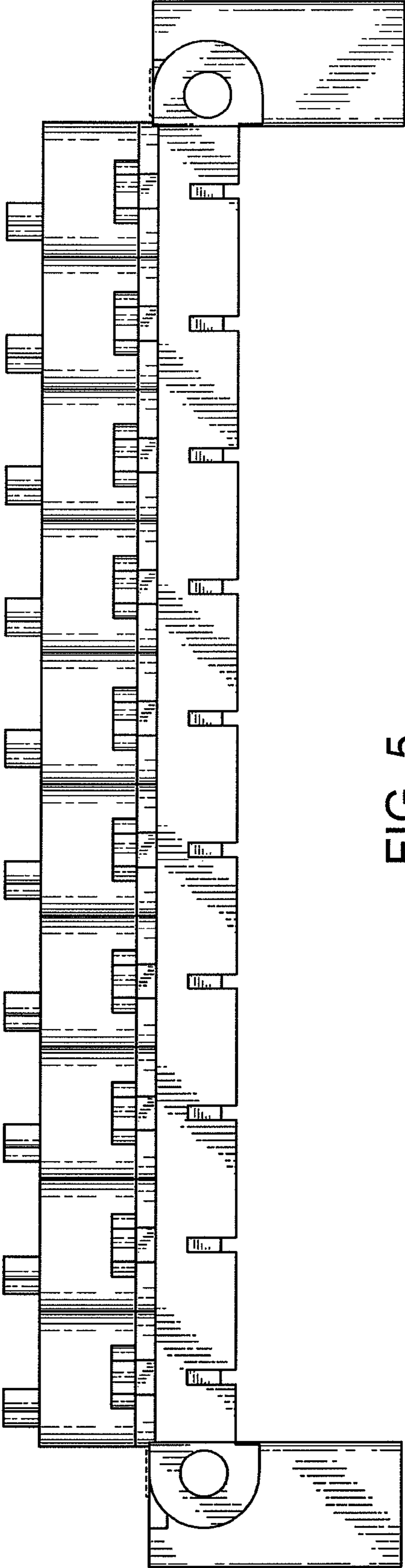


FIG. 5



FIG. 6

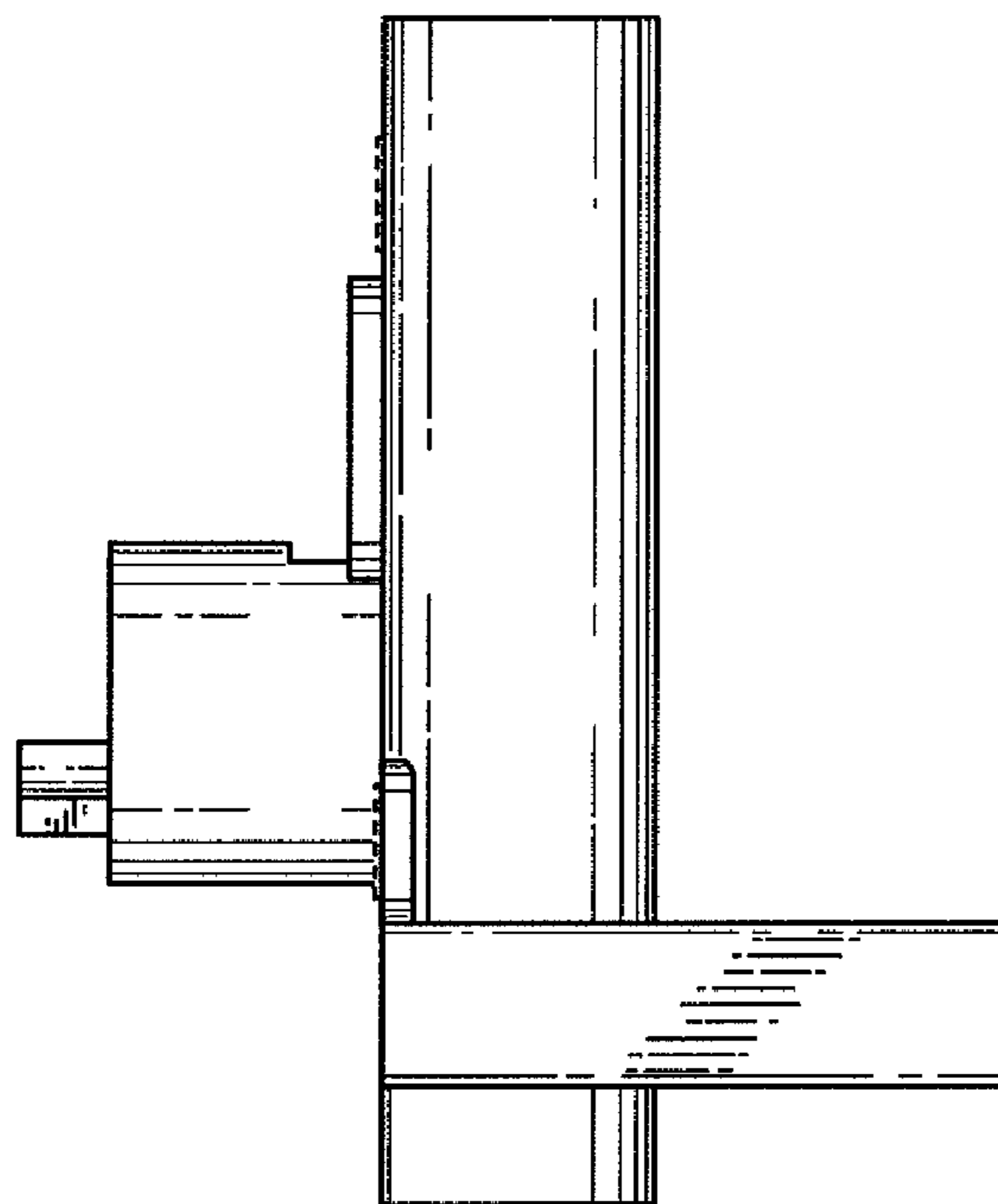


FIG. 8

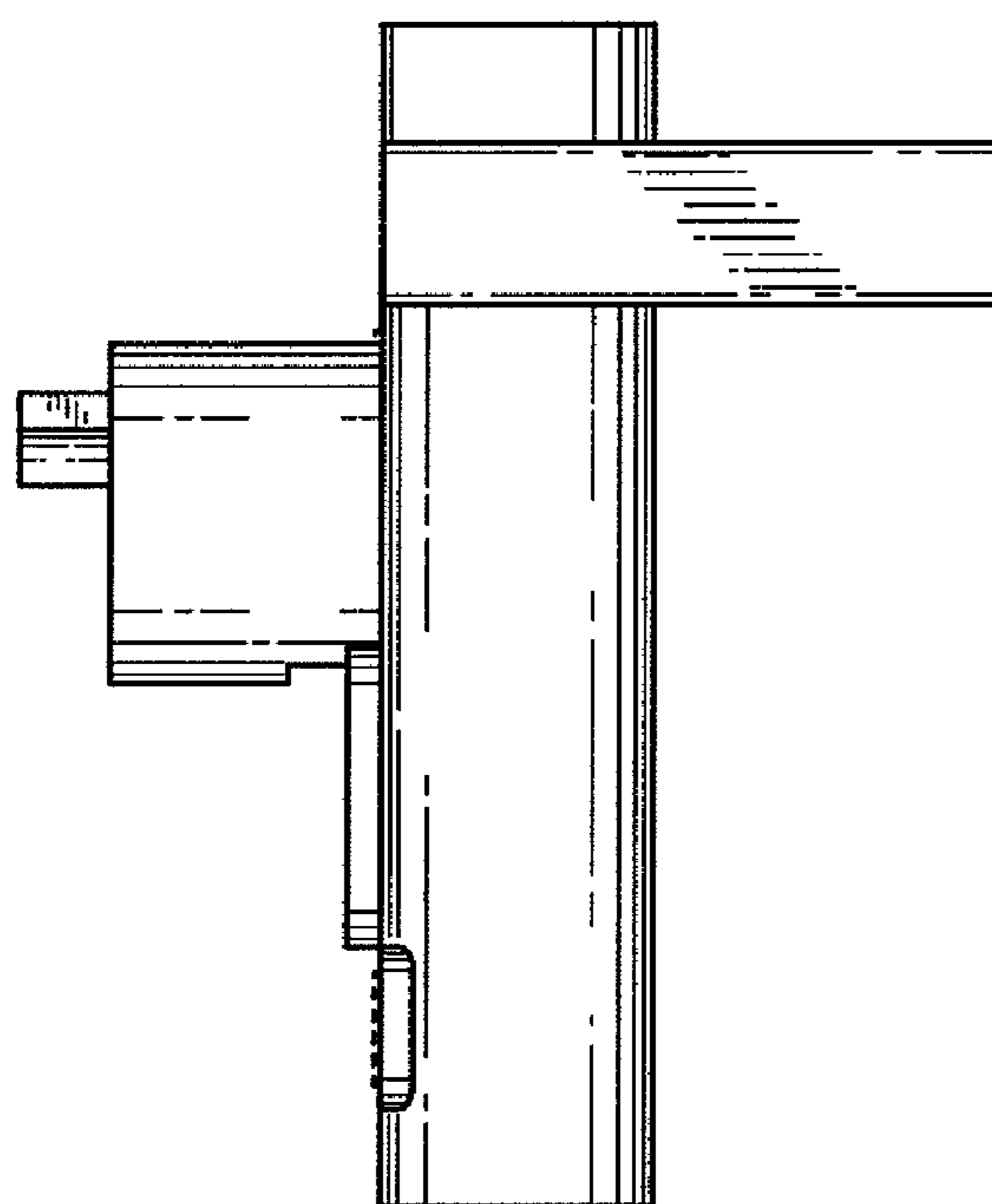


FIG. 7