



US00D656386S

(12) **United States Design Patent**
Shen

(10) **Patent No.:** **US D656,386 S**
(45) **Date of Patent:** **** Mar. 27, 2012**

(54) **COVER FOR A PASSAGEWAY DOOR LOCK**

D542,626 S * 5/2007 Toloday et al. D8/346
D589,781 S * 4/2009 Lee D8/330
D623,499 S * 9/2010 Tien D8/346
D650,654 S * 12/2011 Fong D8/332

(75) Inventor: **Mu-Lin Shen**, Tainan (TW)

* cited by examiner

(73) Assignee: **I-Tek Metal Mfg. Co., Ltd.**, Tainan (TW)

Primary Examiner — Prabhakar Deshmukh

(**) Term: **14 Years**

(74) *Attorney, Agent, or Firm* — Alan Kamrath; Kamrath IP Lawfirm, PA

(21) Appl. No.: **29/393,673**

(22) Filed: **Jun. 8, 2011**

(57) **CLAIM**
The ornamental design for a cover for a passageway door lock, as shown and described.

(51) **LOC (9) Cl.** **08-07**

(52) **U.S. Cl.** **D8/346**

(58) **Field of Classification Search** D8/330–348;
70/13, 20, 51, 54, 66, 92, DIG. 56, DIG. 43;
292/340–343, 256, 277, 346, 92; 16/49,
16/52, 71

DESCRIPTION

See application file for complete search history.

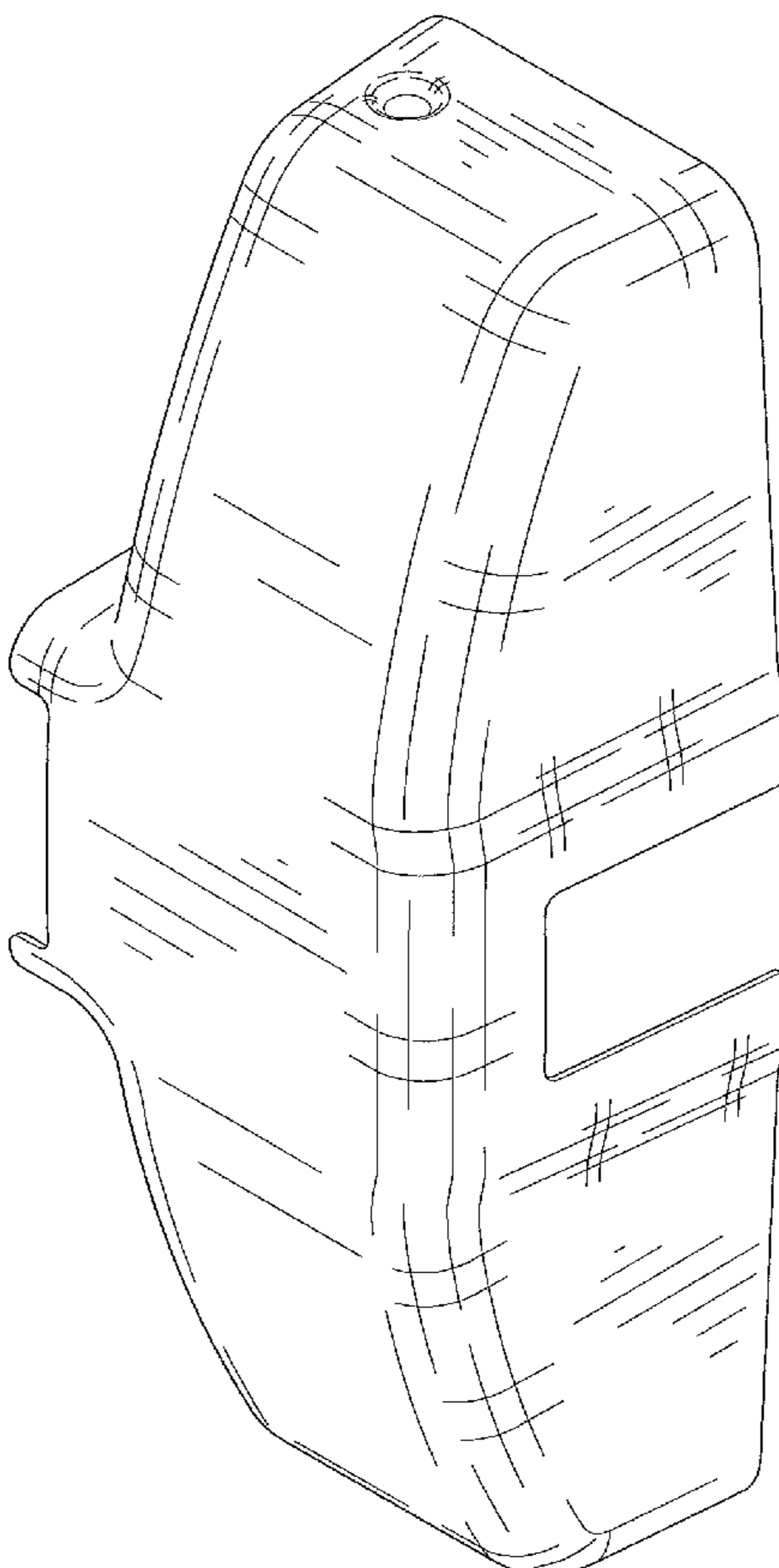
FIG. 1 is a perspective view of a cover for a passageway door lock showing my design;
FIG. 2 is a front elevational view thereof;
FIG. 3 is a rear elevational view thereof;
FIG. 4 is a left elevational view thereof;
FIG. 5 is a right elevational view thereof;
FIG. 6 is a top plan view thereof;
FIG. 7 is a bottom plan view thereof; and,
FIG. 8 is a perspective view thereof, shown in its environmental use; the broken lines illustrating a press bar, a housing, and latch are for illustrative purpose only and form no part of the claimed design.

(56) **References Cited**

U.S. PATENT DOCUMENTS

4,905,486 A * 3/1990 Appelbaum 70/54
5,555,752 A * 9/1996 Fitzpatrick 70/159
D390,444 S * 2/1998 Wintrone D8/337
D438,088 S * 2/2001 Tomlinson D8/330
6,439,008 B1 * 8/2002 Keil 70/56
6,578,393 B2 * 6/2003 Yarborough 70/56
D526,557 S * 8/2006 Falconer et al. D8/346
D541,633 S * 5/2007 Austin et al. D8/346

1 Claim, 8 Drawing Sheets



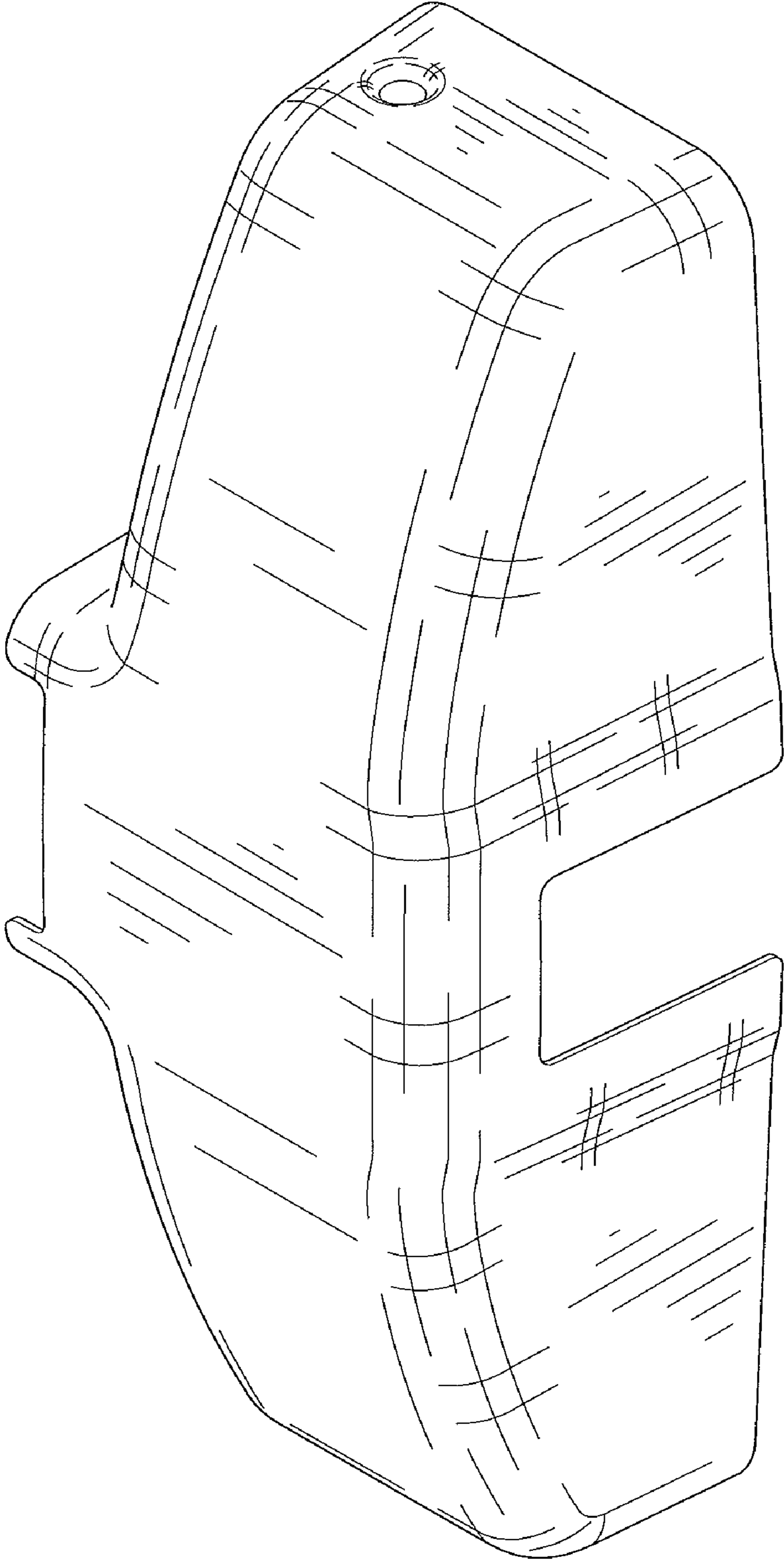


FIG. 1

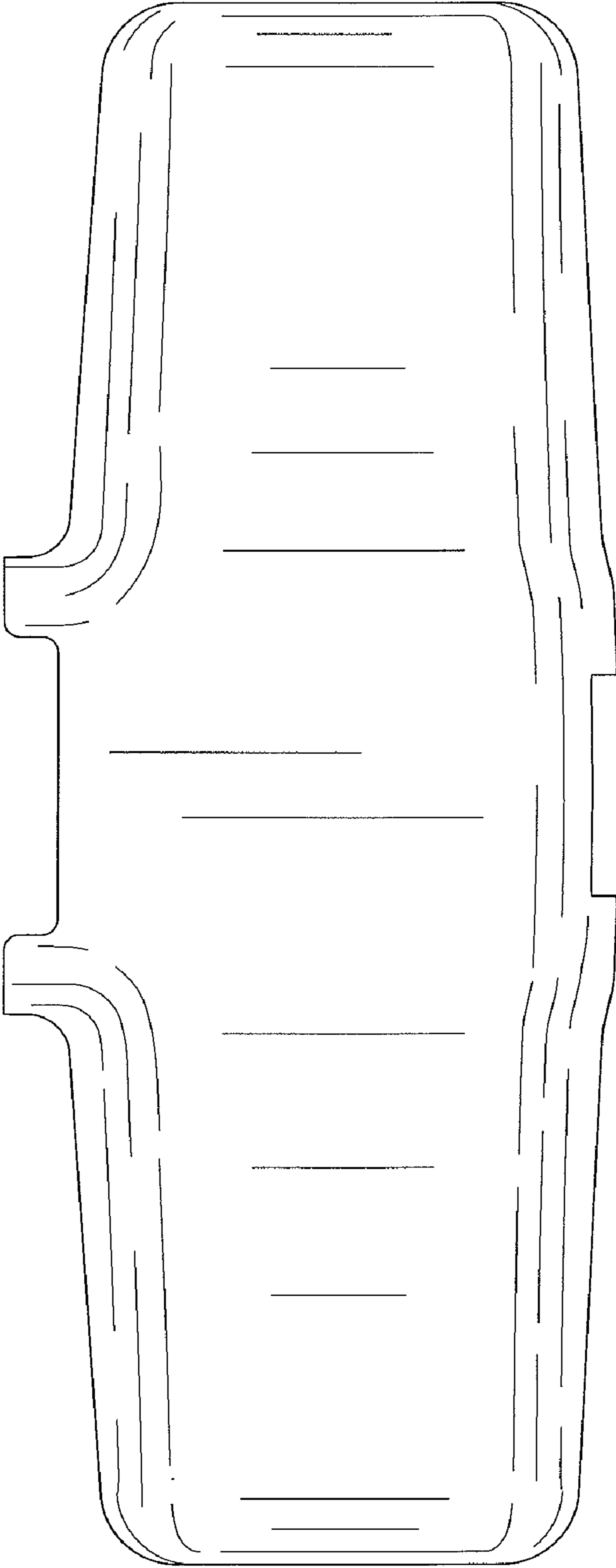


FIG.2

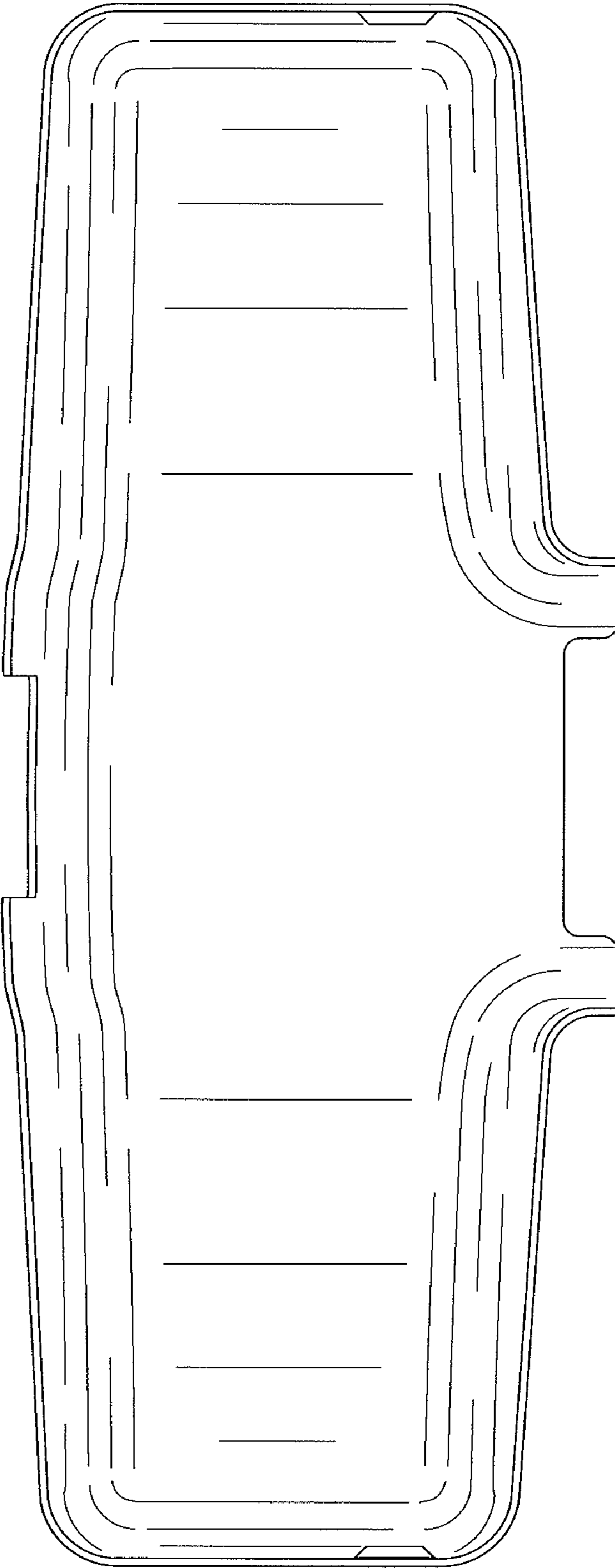


FIG.3

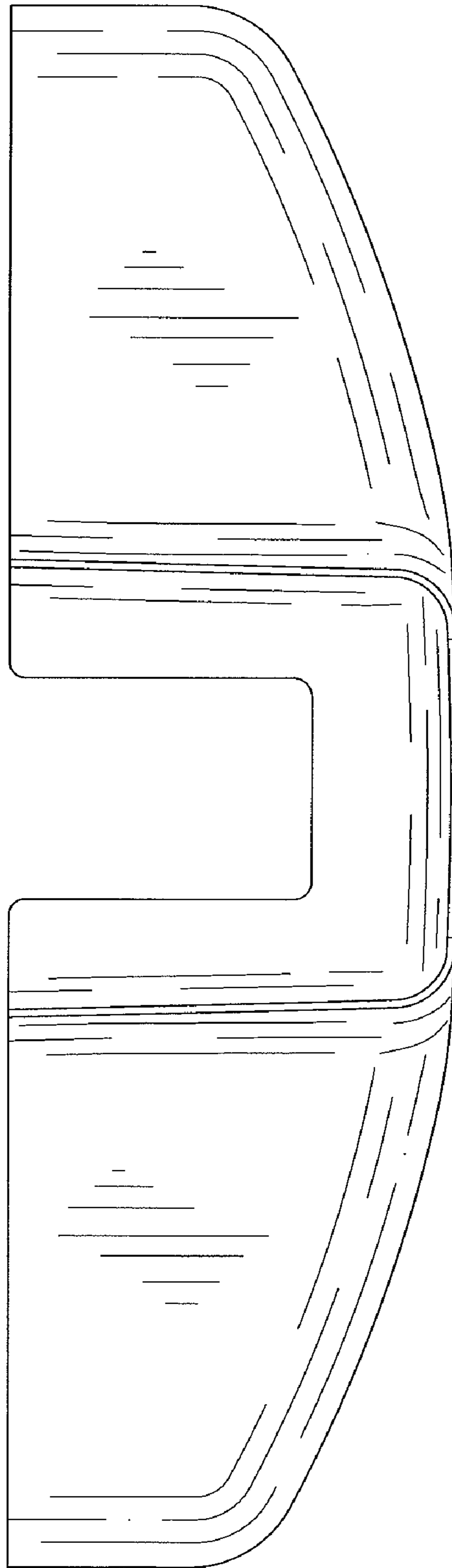


FIG.4

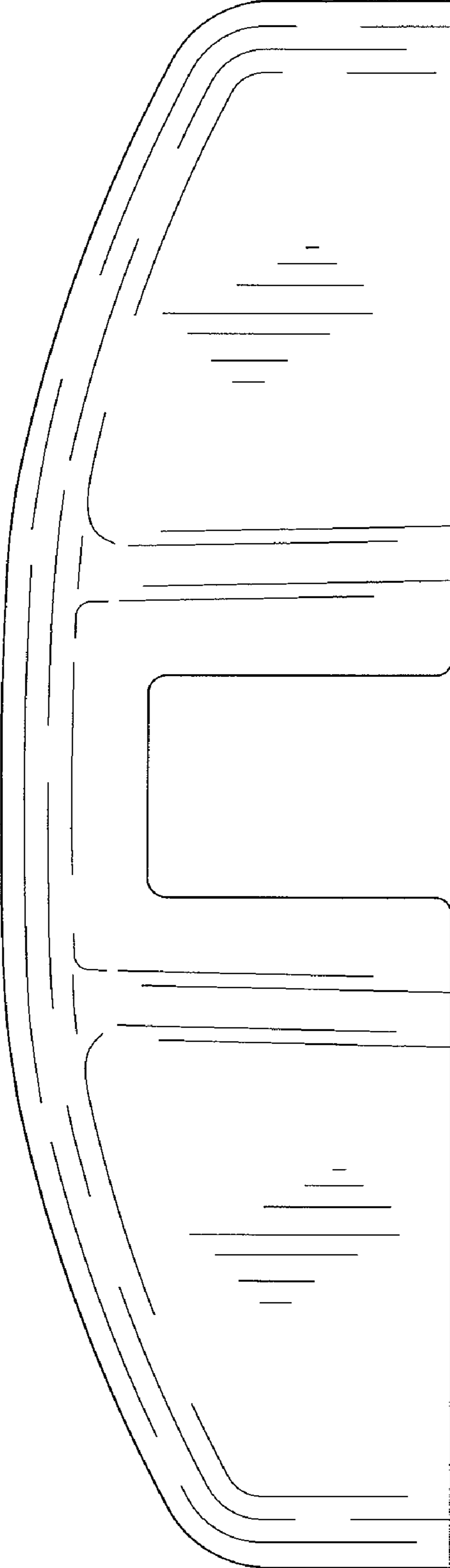


FIG.5

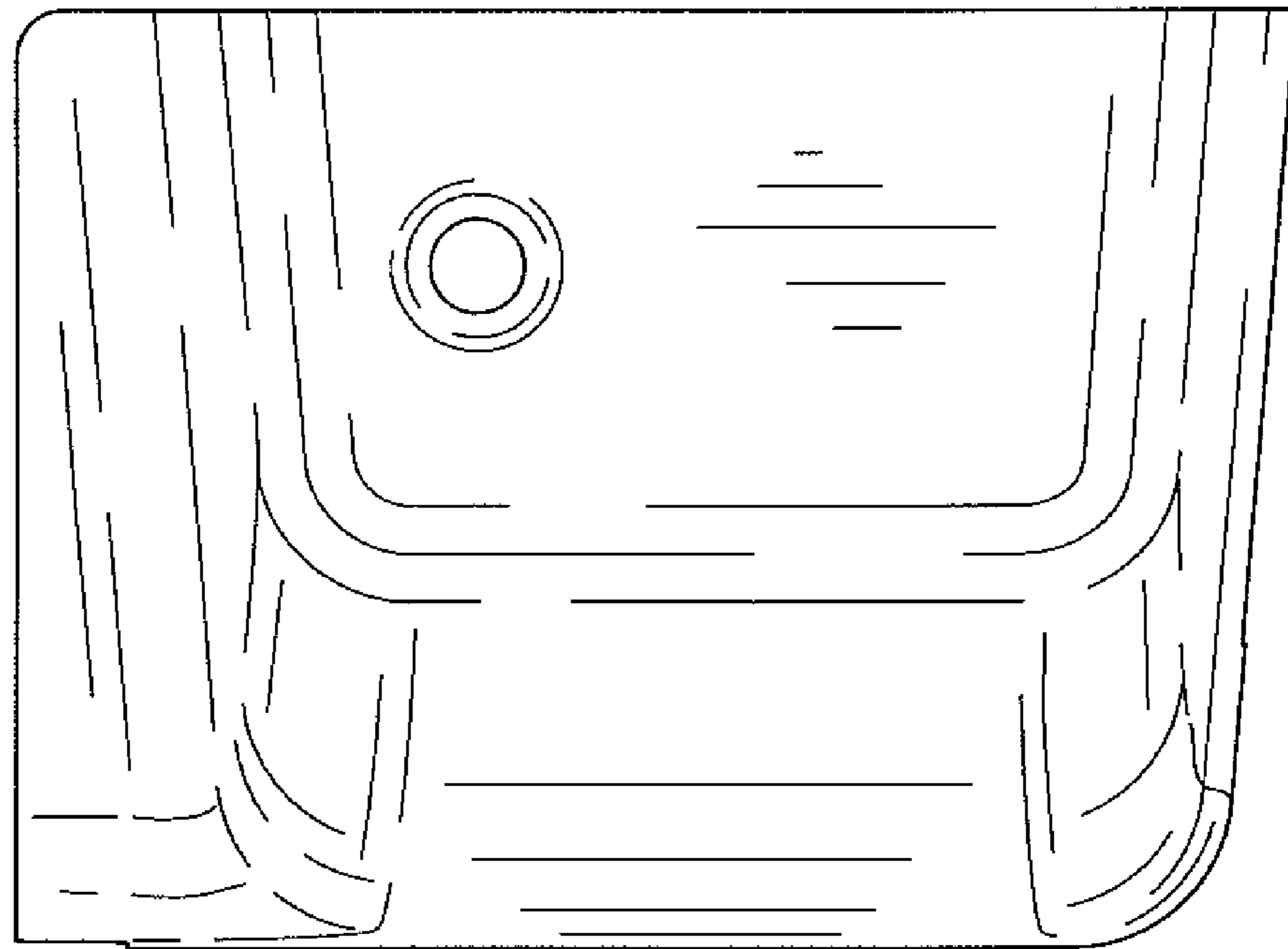


FIG.6

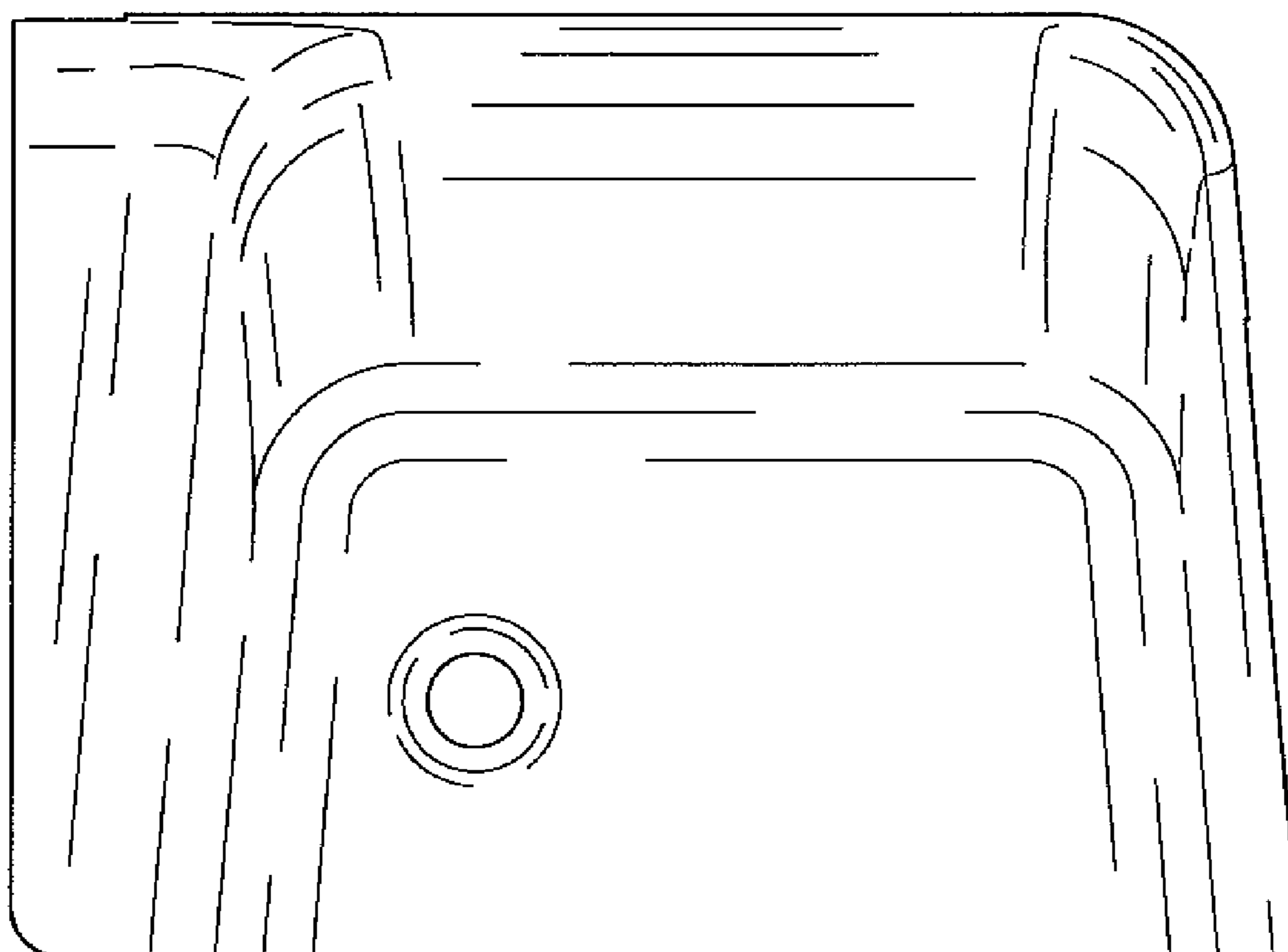


FIG.7

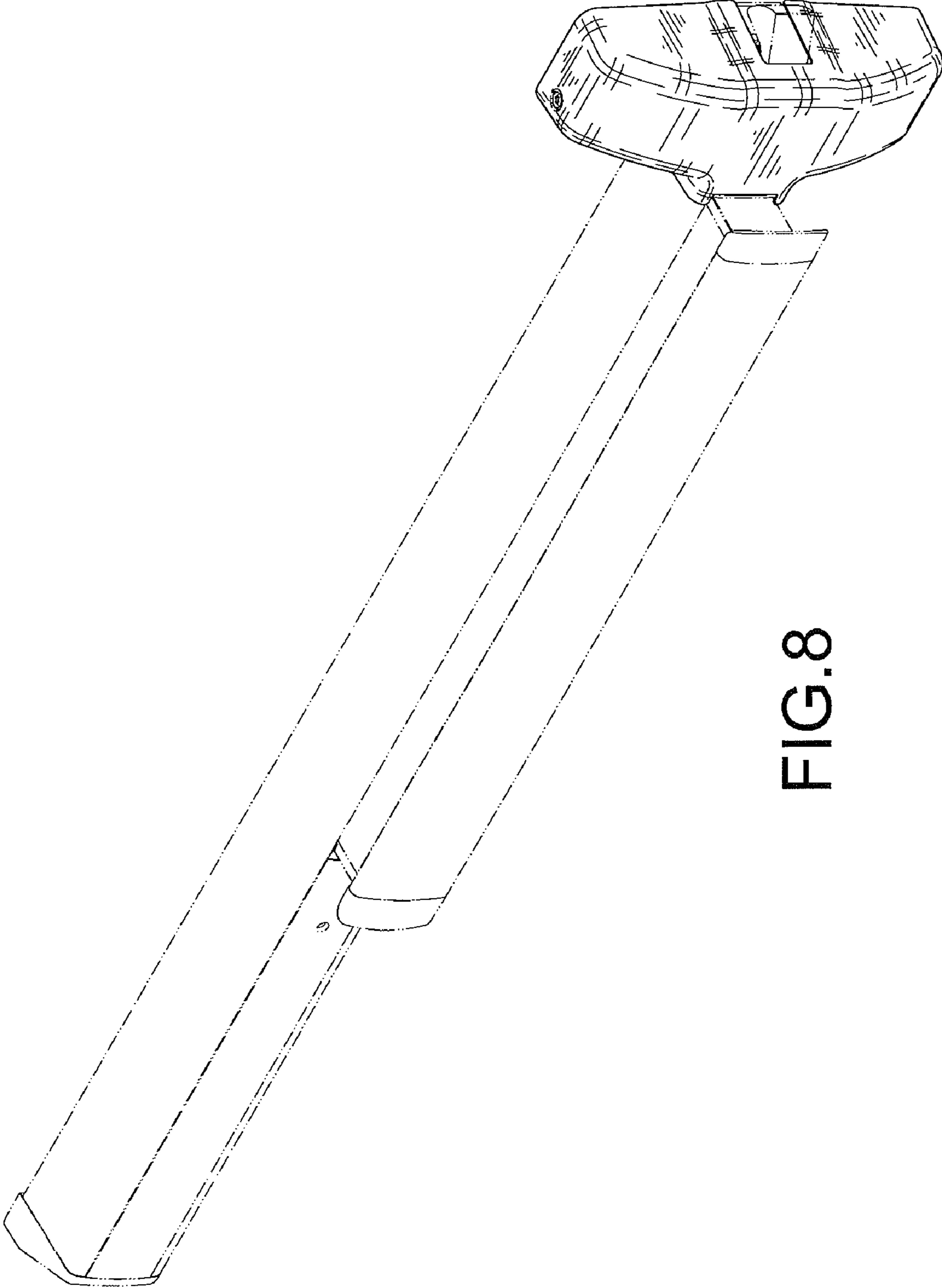


FIG.8