



US00D656385S

(12) **United States Design Patent**  
**Rosario et al.**

(10) **Patent No.:** **US D656,385 S**  
(45) **Date of Patent:** **\*\* Mar. 27, 2012**

- (54) **WINDOW LOCKING DEVICE**
- (76) Inventors: **Miguel A. Rosario**, Bronx, NY (US);  
**Azalia M. Rosario**, Bronx, NY (US)
- (\*\*) Term: **14 Years**
- (21) Appl. No.: **29/391,255**
- (22) Filed: **May 5, 2011**
- (51) **LOC (9) Cl.** ..... **08-07**
- (52) **U.S. Cl.** ..... **D8/337**
- (58) **Field of Classification Search** ..... D8/330,  
D8/331, 337, 338, 339, 309, 341, 343, 349,  
D8/400; 70/14, 51, 52, 57, 57.1, 89, 90,  
70/141, 431, 465, 287; 92/92, 288, 289,  
92/358, 359, DIG. 23, DIG. 85, DIG. 68  
See application file for complete search history.

|           |    |   |        |                  |       |         |
|-----------|----|---|--------|------------------|-------|---------|
| D365,979  | S  | * | 1/1996 | Blomqvist        | ..... | D8/400  |
| D442,058  | S  | * | 5/2001 | Miller et al.    | ..... | D8/337  |
| D445,017  | S  |   | 7/2001 | Kronmeyer et al. |       |         |
| 6,607,221 | B1 |   | 8/2003 | Elliott          |       |         |
| 7,000,957 | B2 | * | 2/2006 | Lawrence         | ..... | 292/241 |
| D560,112  | S  | * | 1/2008 | Baczuk et al.    | ..... | D8/337  |
| D569,708  | S  | * | 5/2008 | Wolf             | ..... | D8/337  |
| D595,562  | S  | * | 7/2009 | Jones et al.     | ..... | D8/331  |

\* cited by examiner

*Primary Examiner* — Prabhakar Deshmukh

(56) **References Cited**

**U.S. PATENT DOCUMENTS**

|           |   |   |         |                |       |         |
|-----------|---|---|---------|----------------|-------|---------|
| 1,714,196 | A |   | 5/1929  | Vara           |       |         |
| 1,928,655 | A | * | 10/1933 | Sarrasin       | ..... | 292/202 |
| 2,009,381 | A | * | 7/1935  | Bernhardt      | ..... | 292/210 |
| 2,462,434 | A | * | 2/1949  | Sparks         | ..... | 292/155 |
| 3,581,533 | A | * | 6/1971  | Williams       | ..... | 70/90   |
| 3,709,539 | A | * | 1/1973  | Sodenkamp, Jr. | ..... | 292/145 |
| 4,138,150 | A |   | 2/1979  | Bills          |       |         |
| 4,225,164 | A | * | 9/1980  | Wensley et al. | ..... | 292/33  |
| 4,635,327 | A |   | 1/1987  | Netznik        |       |         |
| 4,997,218 | A |   | 3/1991  | Culling        |       |         |

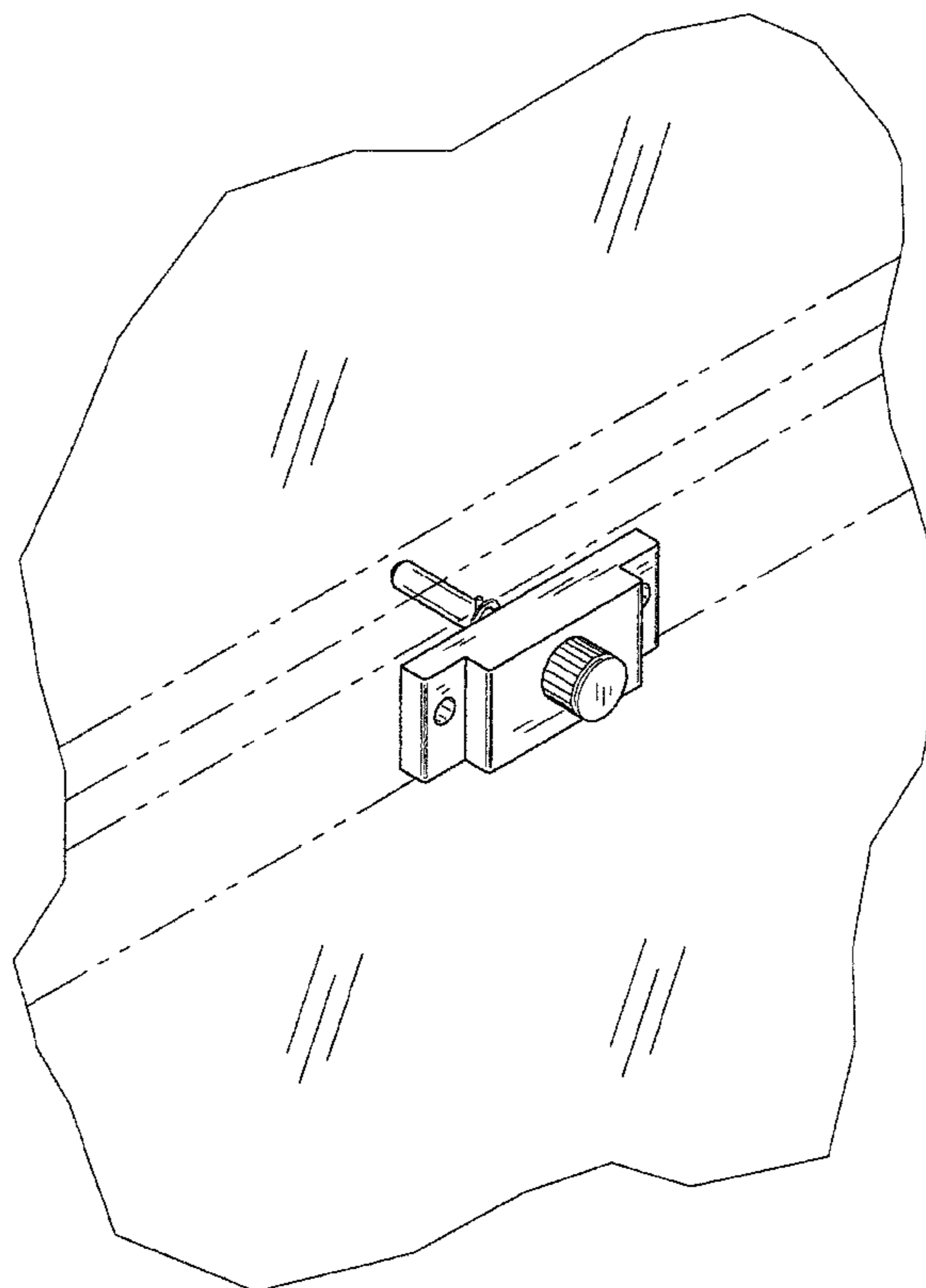
(57) **CLAIM**

The ornamental design for a window locking device, as shown and described.

**DESCRIPTION**

FIG. 1 is a perspective view of a window locking device showing our new design;  
 FIG. 2 is a front elevational view thereof;  
 FIG. 3 is a rear elevational view thereof;  
 FIG. 4 is a left side elevational view thereof;  
 FIG. 5 is a right side elevational view thereof;  
 FIG. 6 is top plan view thereof;  
 FIG. 7 is a bottom plan view thereof; and,  
 FIG. 8 is another perspective view thereof.  
 The broken lines showing of environmental structure are for illustrative purpose only and form no part of the claimed design. FIGS. 2-7 are shown in an enlarged scale.

**1 Claim, 5 Drawing Sheets**



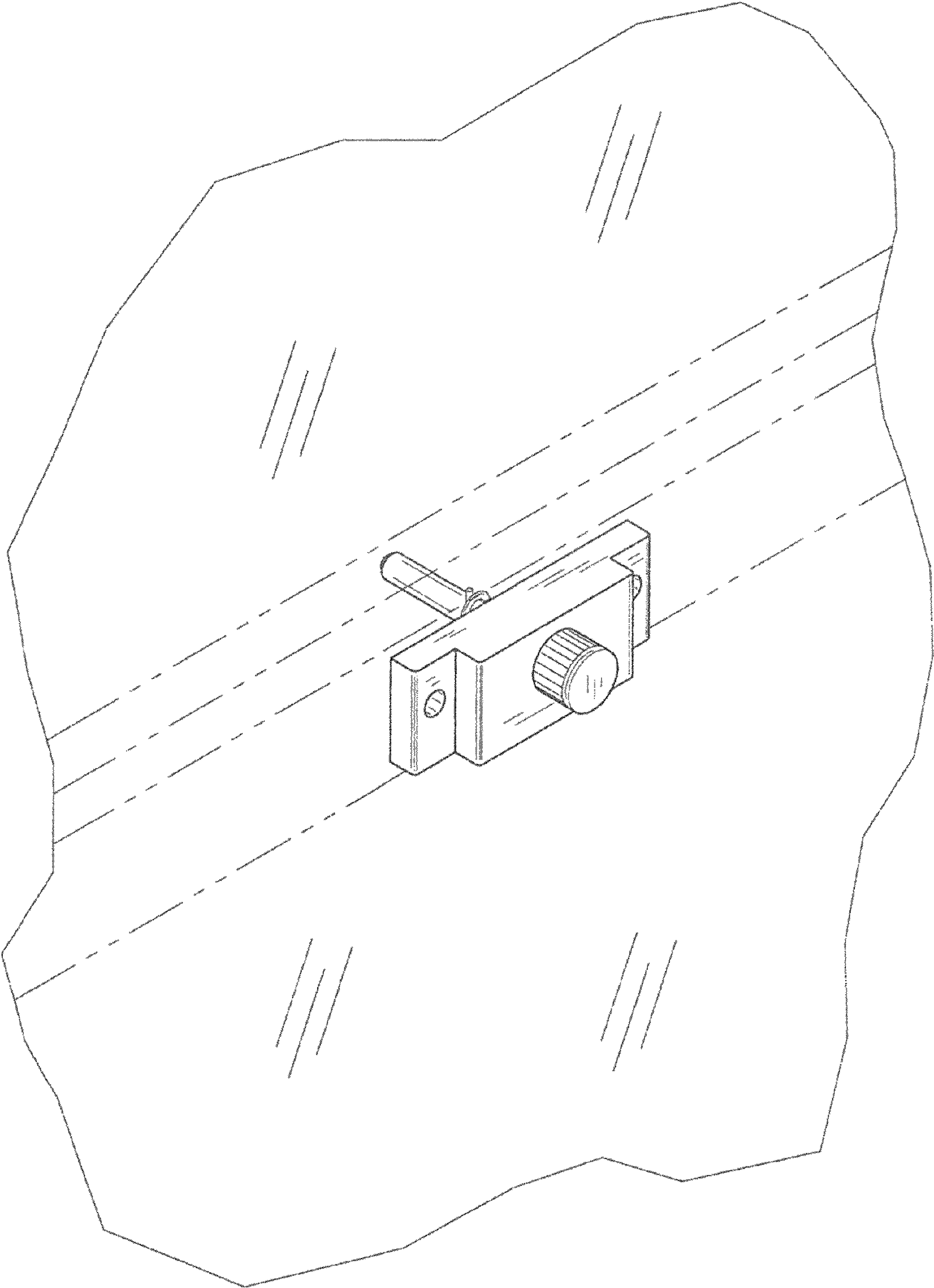
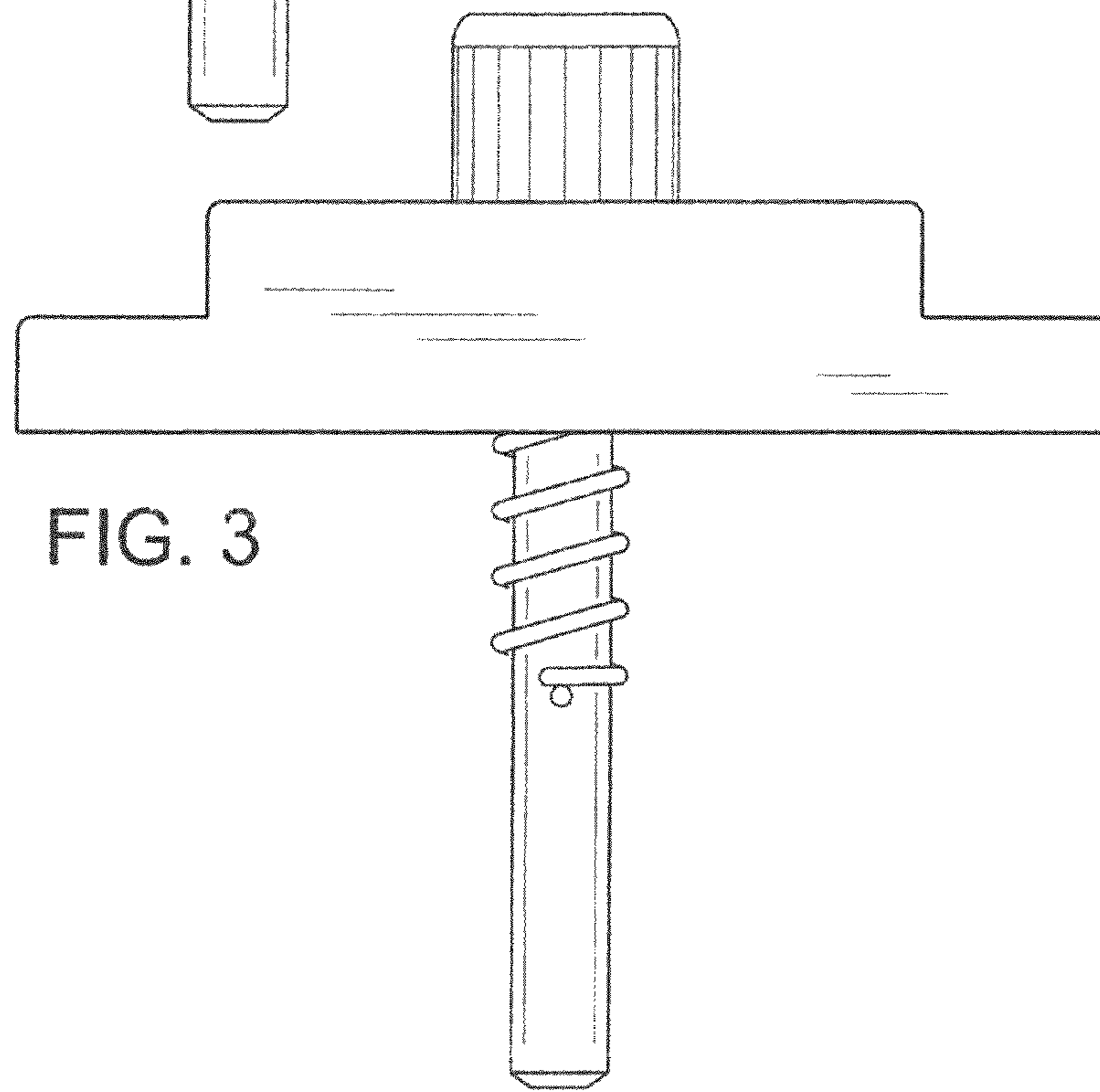
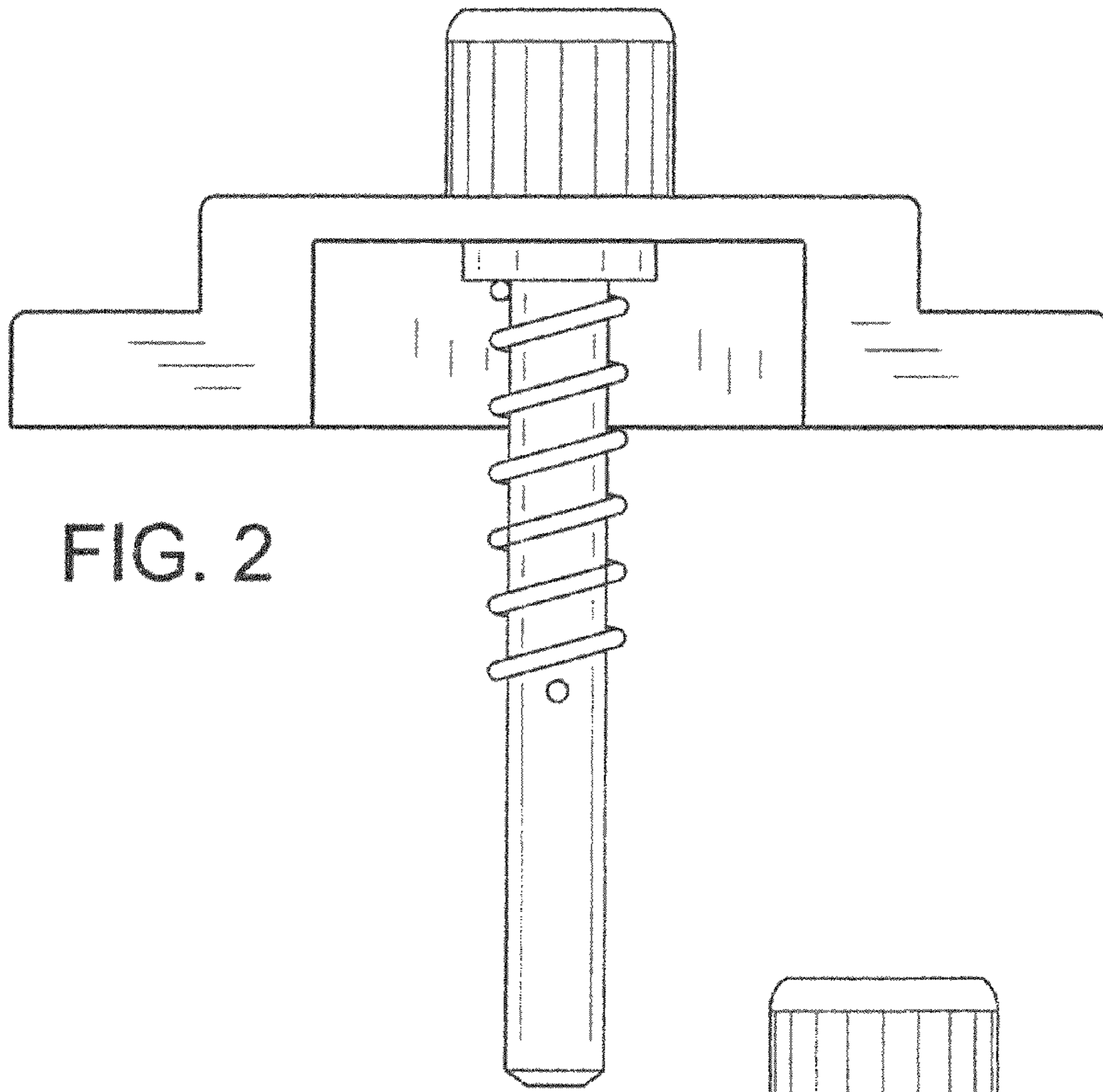


FIG. 1



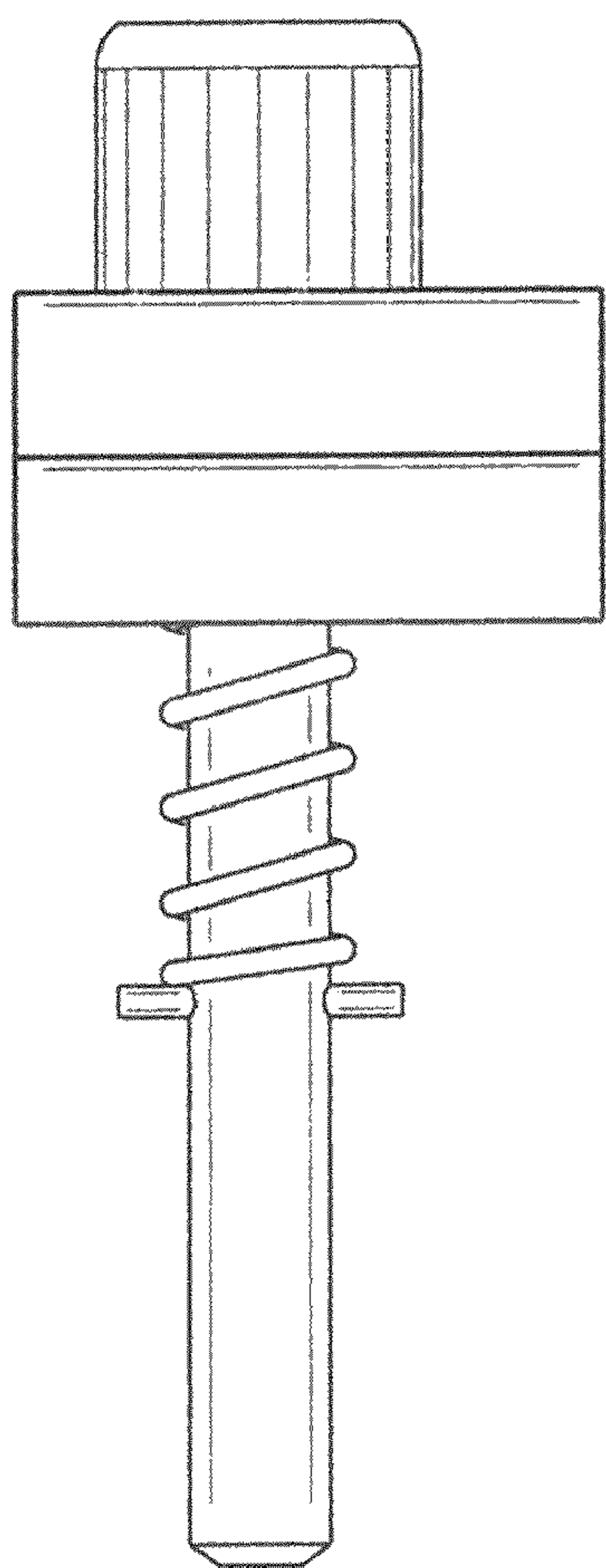


FIG. 4

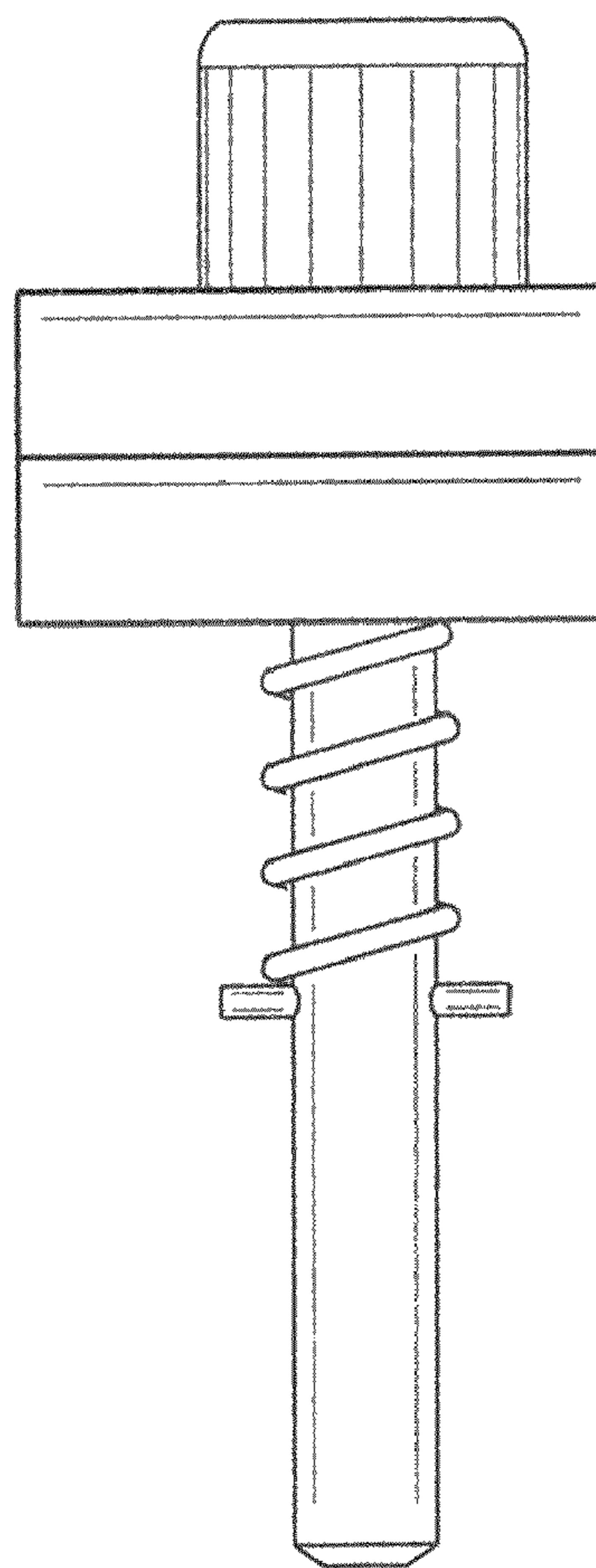


FIG. 5

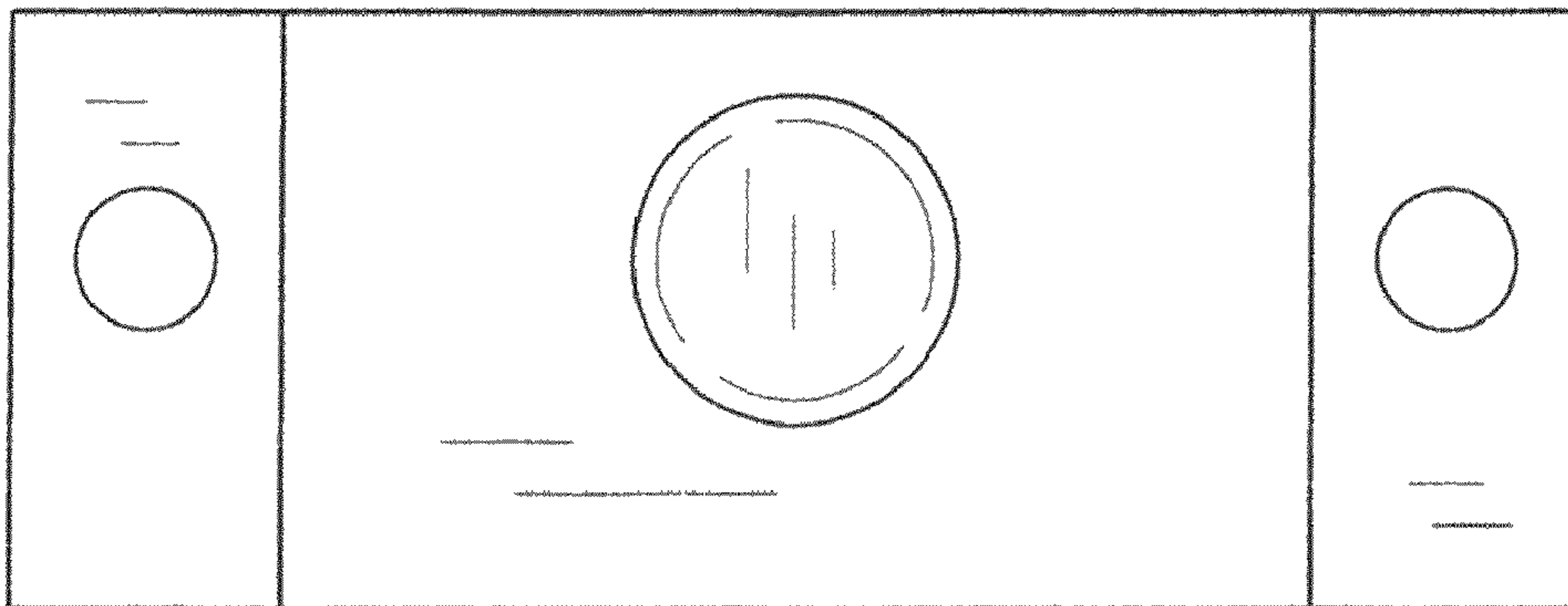


FIG. 6

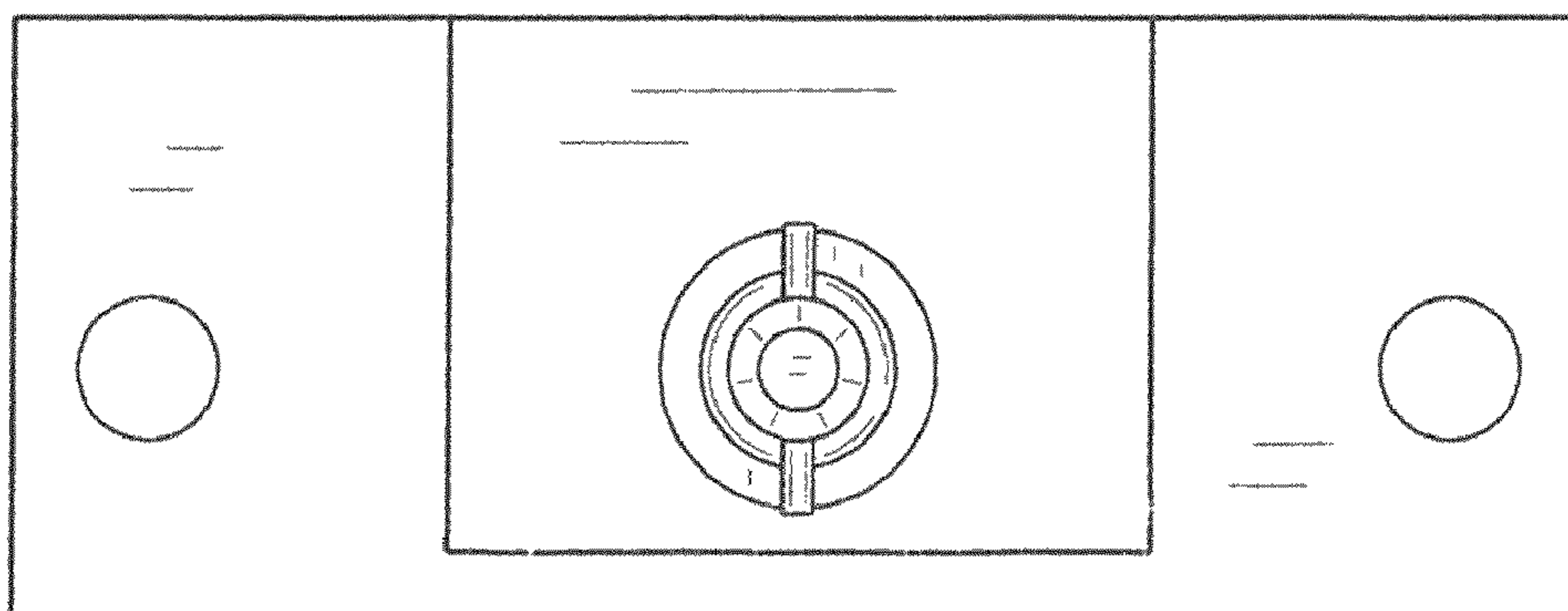


FIG. 7

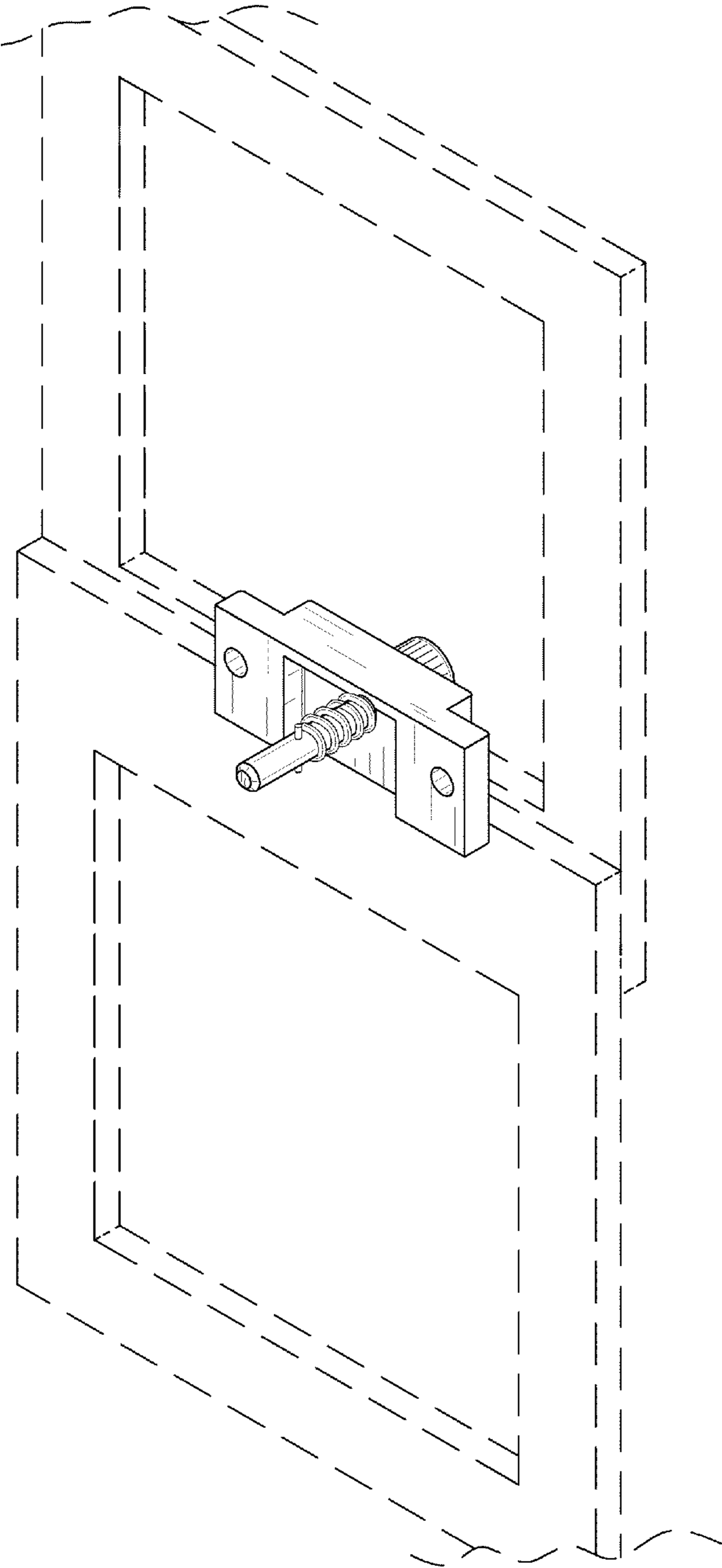


FIG. 8