



US00D656384S

(12) **United States Design Patent**
Wojtak

(10) **Patent No.:** **US D656,384 S**

(45) **Date of Patent:** **** *Mar. 27, 2012**

(54) **PADLOCK COVER**

(75) Inventor: **Ray Wojtak**, Waterford, WI (US)

(73) Assignee: **Master Lock Company LLC**, Oak Creek, WI (US)

(*) Notice: This patent is subject to a terminal disclaimer.

(**) Term: **14 Years**

(21) Appl. No.: **29/387,574**

(22) Filed: **Mar. 15, 2011**

(51) **LOC (9) Cl.** **21-01**

(52) **U.S. Cl.** **D8/334; D8/343**

(58) **Field of Classification Search** D8/330,
D8/331, 334, 338, 336, 345, 339; 70/14,
70/18, 20, 24, 25, 31, 35, 38 R, 38 A, 38 B,
70/38 C, 51-56, 91, 141, DIG. 3, DIG. 4,
70/DIG. 43, DIG. 56

See application file for complete search history.

(56) **References Cited**

U.S. PATENT DOCUMENTS

3,453,758	A *	7/1969	Foote et al.	40/665
4,224,813	A *	9/1980	Hampton	70/51
4,226,100	A *	10/1980	Hampton et al.	70/51
4,317,344	A *	3/1982	Barnard	70/55
5,761,935	A *	6/1998	Adelmeyer	70/55
D400,078	S *	10/1998	Adelmeyer	D8/346
6,539,754	B1 *	4/2003	Fang	70/52
D484,391	S *	12/2003	Hackbarth et al.	D8/346
D537,320	S *	2/2007	Kearns et al.	D8/334

D587,987	S *	3/2009	Zorc et al.	D8/343
D595,112	S *	6/2009	Zorc et al.	D8/343
D605,928	S *	12/2009	Stevens et al.	D8/334

* cited by examiner

Primary Examiner — Prabhakar Deshmukh

(74) *Attorney, Agent, or Firm* — Calfee, Halter & Griswold LLP

(57) **CLAIM**

I claim the ornamental design for a padlock cover, as shown and described.

DESCRIPTION

FIG. 1 is a perspective view of a padlock cover showing my new design;

FIG. 2 is a top plan view thereof;

FIG. 3 is a front elevational view thereof;

FIG. 4 is a rear elevational view thereof;

FIG. 5 is a bottom plan view thereof;

FIG. 6 is a left side elevational view thereof;

FIG. 7 is a right side elevational view thereof;

FIG. 8 is a perspective view thereof, shown in alternate position;

FIG. 9 is a perspective view of another embodiment of FIG. 1;

FIG. 10 is a top plan view of FIG. 9;

FIG. 11 is a front elevational view of FIG. 9;

FIG. 12 is a rear elevational view of FIG. 9;

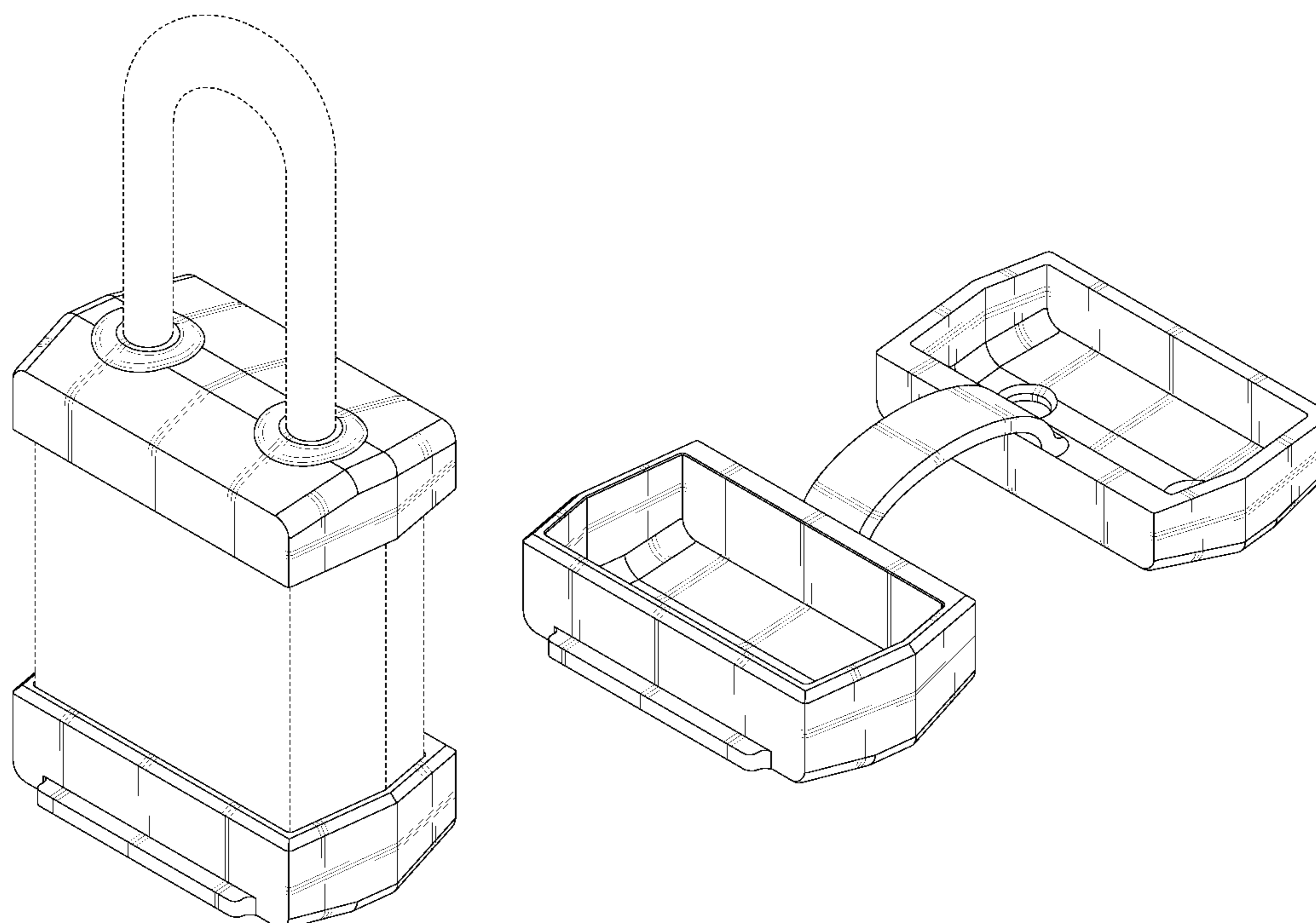
FIG. 13 is a bottom plan view of FIG. 9;

FIG. 14 is a left side elevational view of FIG. 9; and,

FIG. 15 is a right side elevational view of FIG. 9.

The broken lines in FIGS. 1 and 9 indicate the environmental use of the design. Other broken lines indicate disclaimed portions and boundary of the claimed design. None of the broken lines form part of the claimed design.

1 Claim, 9 Drawing Sheets



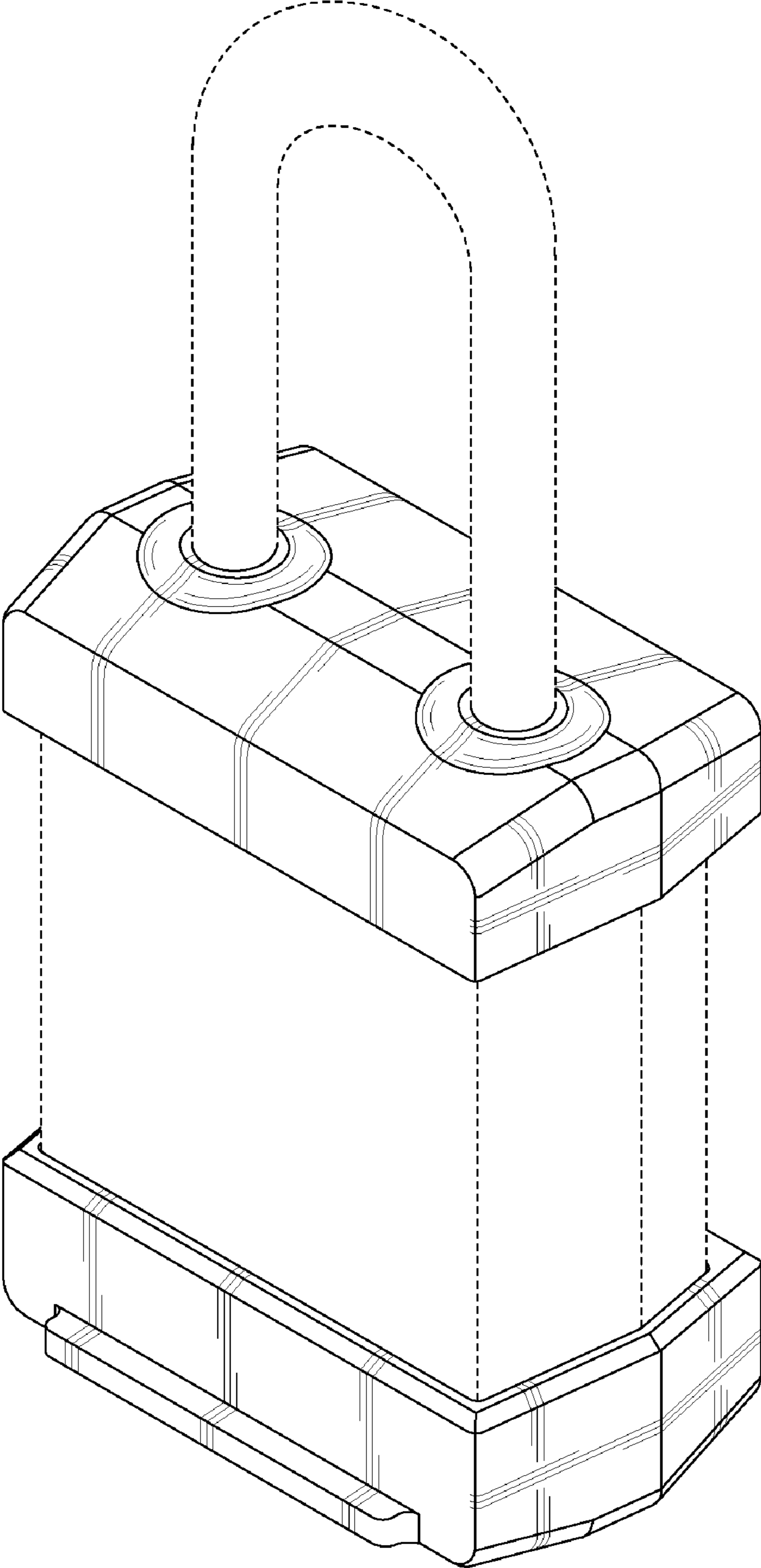


FIG. 1

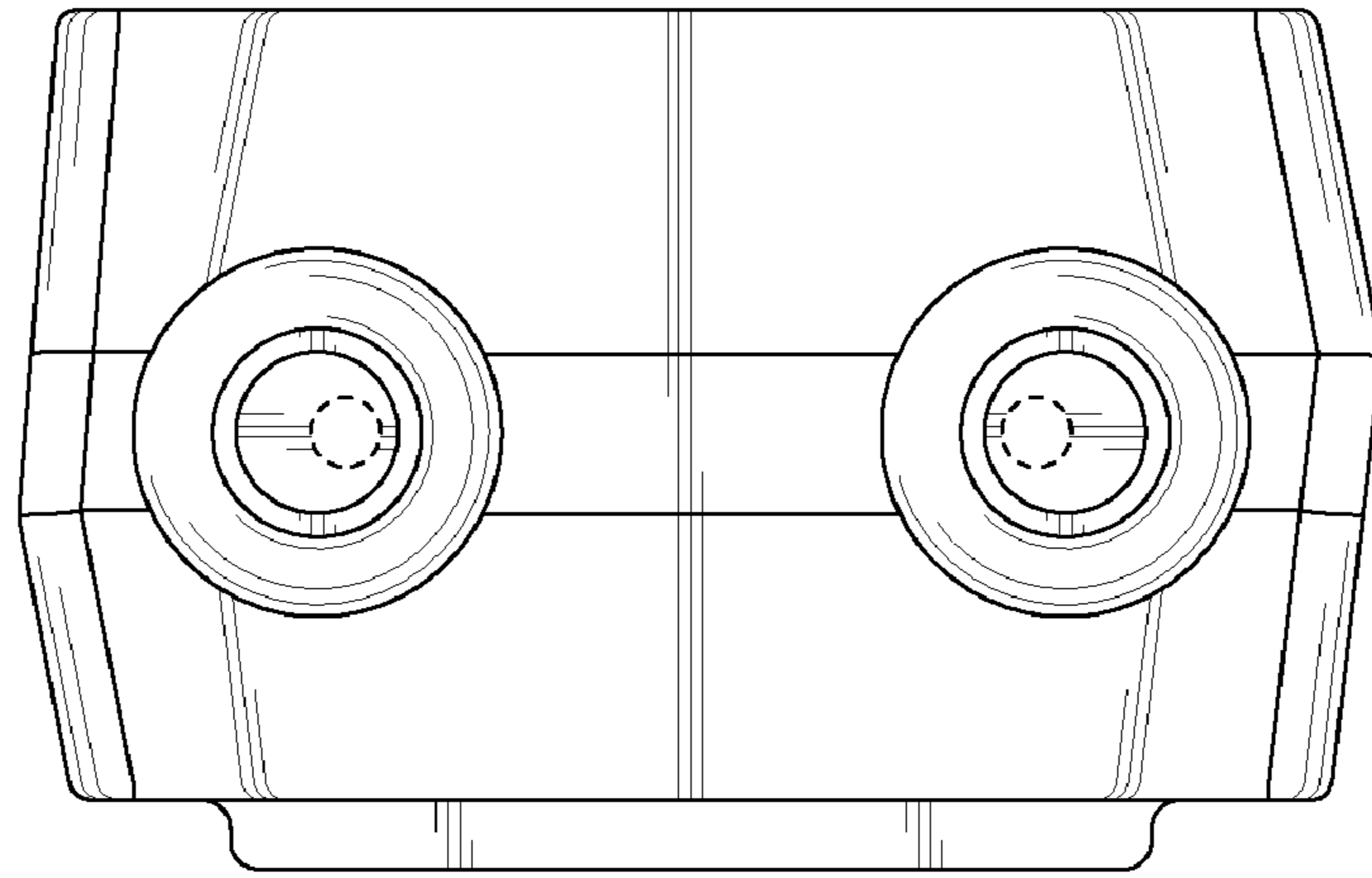


FIG. 2

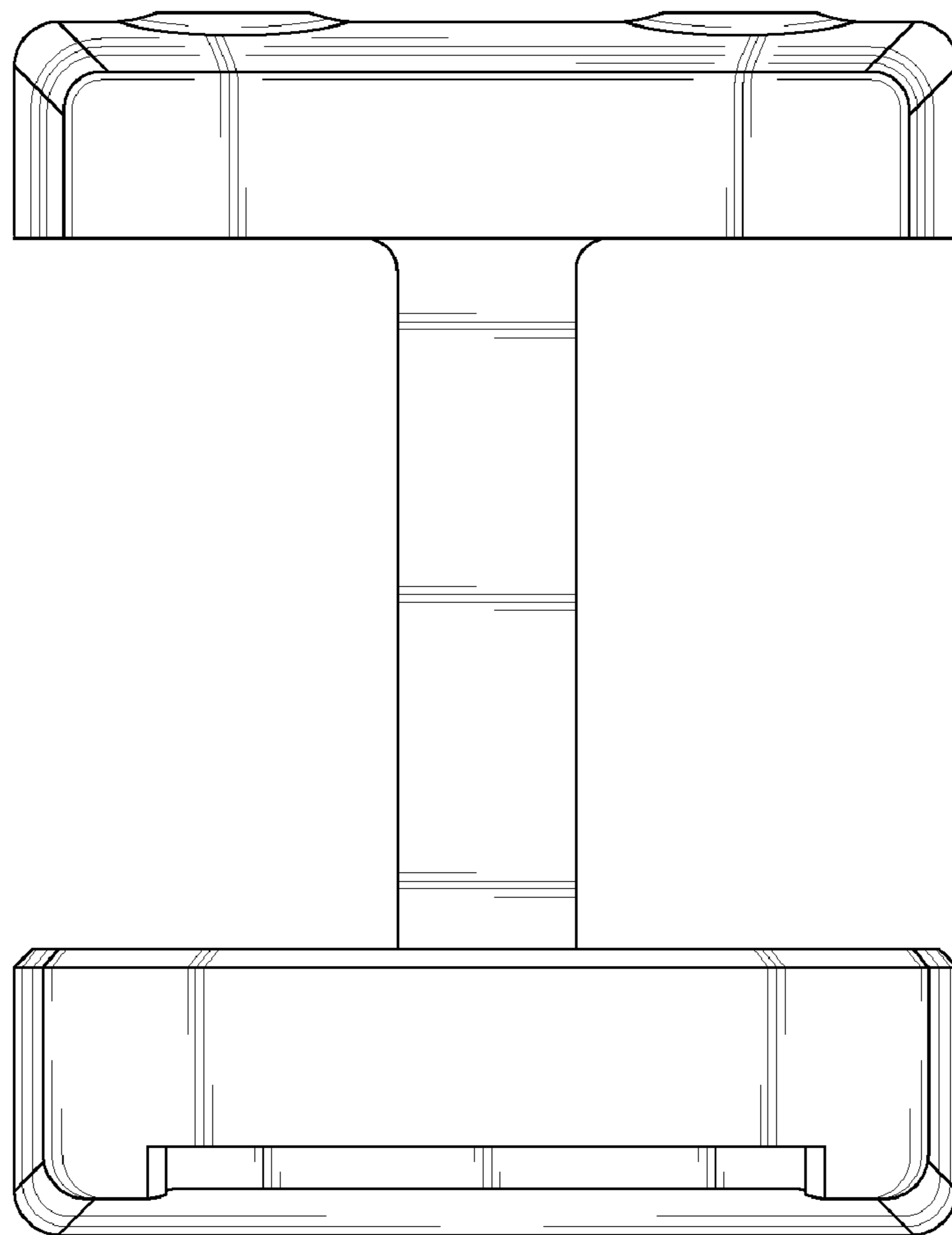


FIG. 3

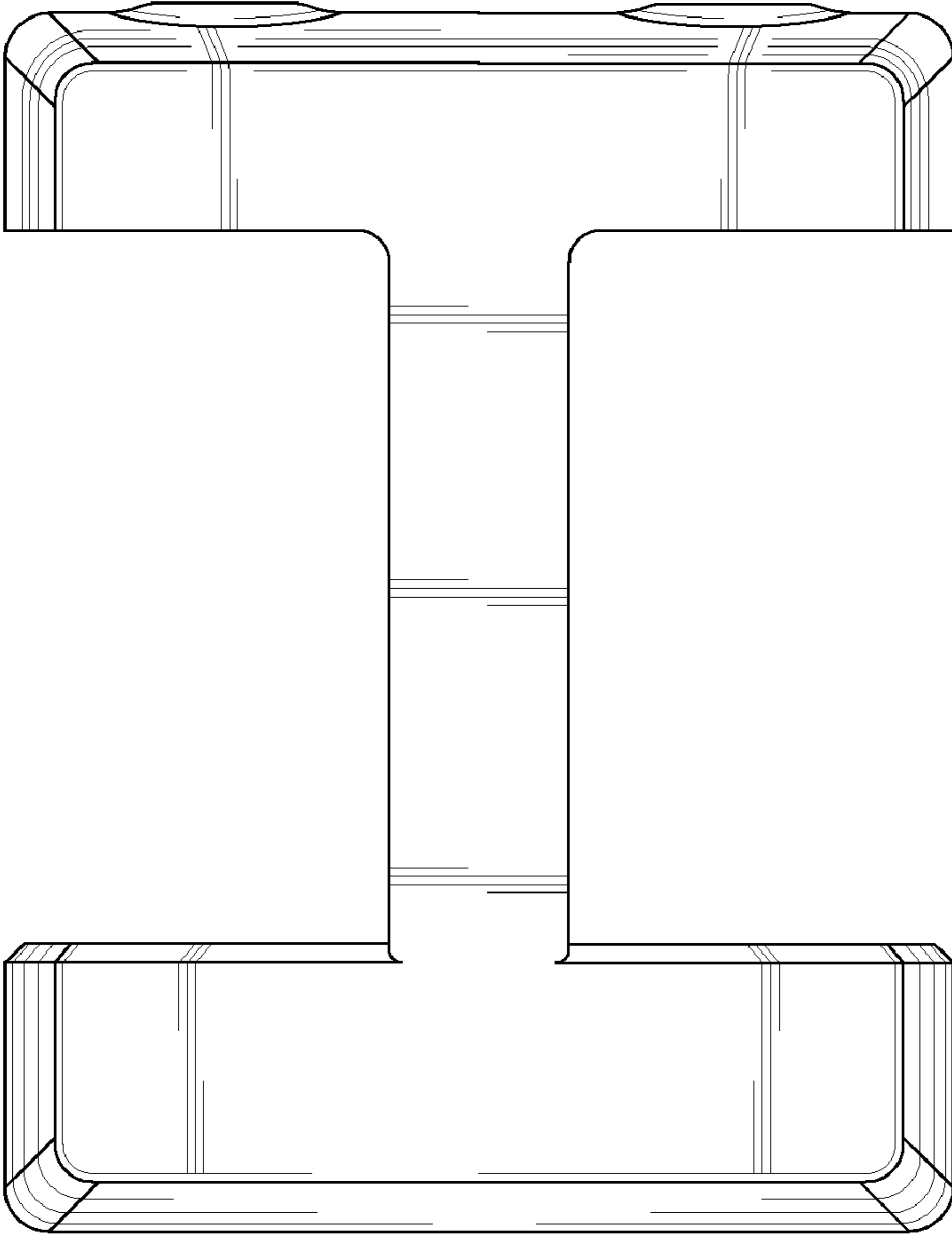


FIG. 4

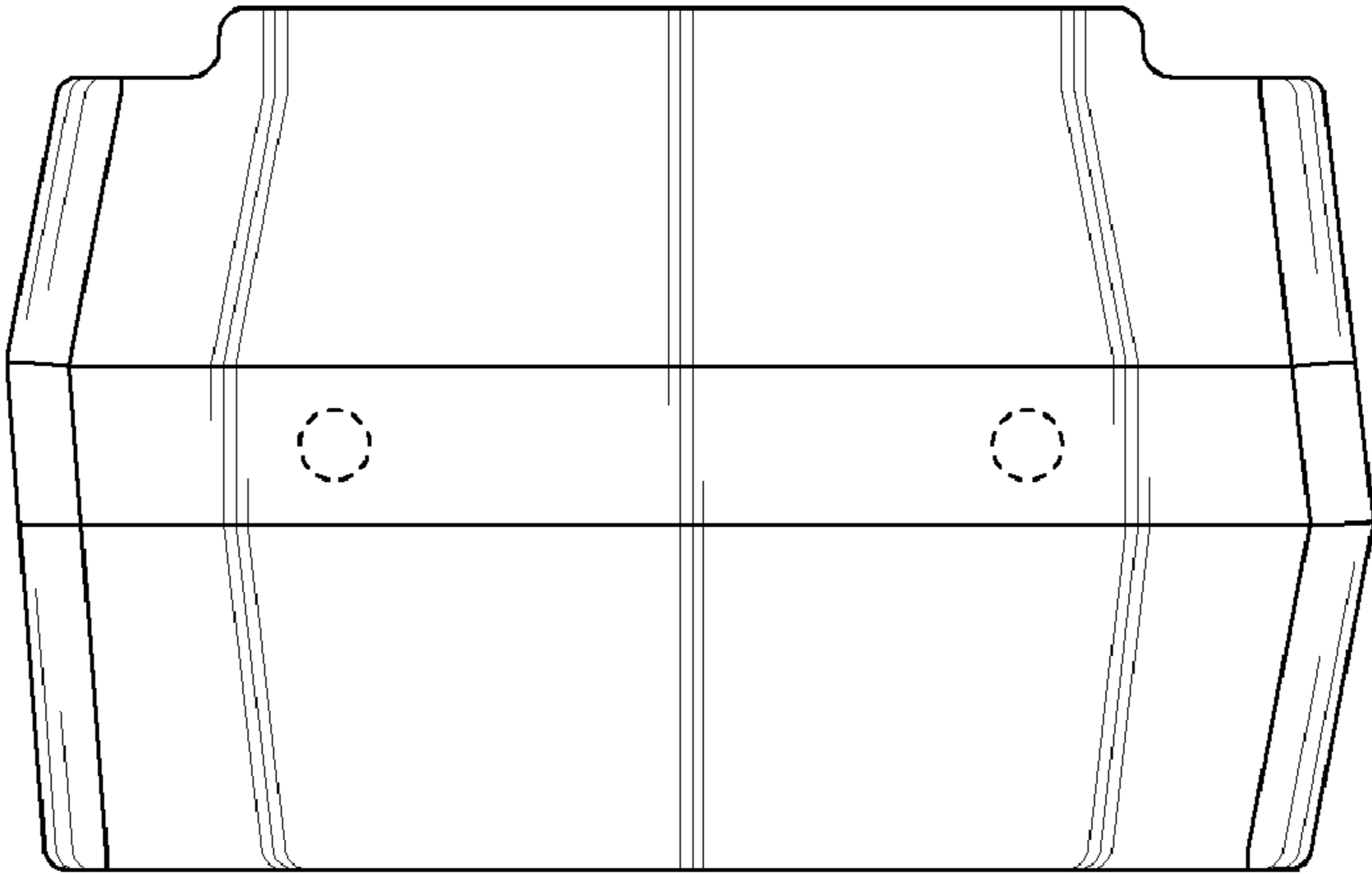


FIG. 5

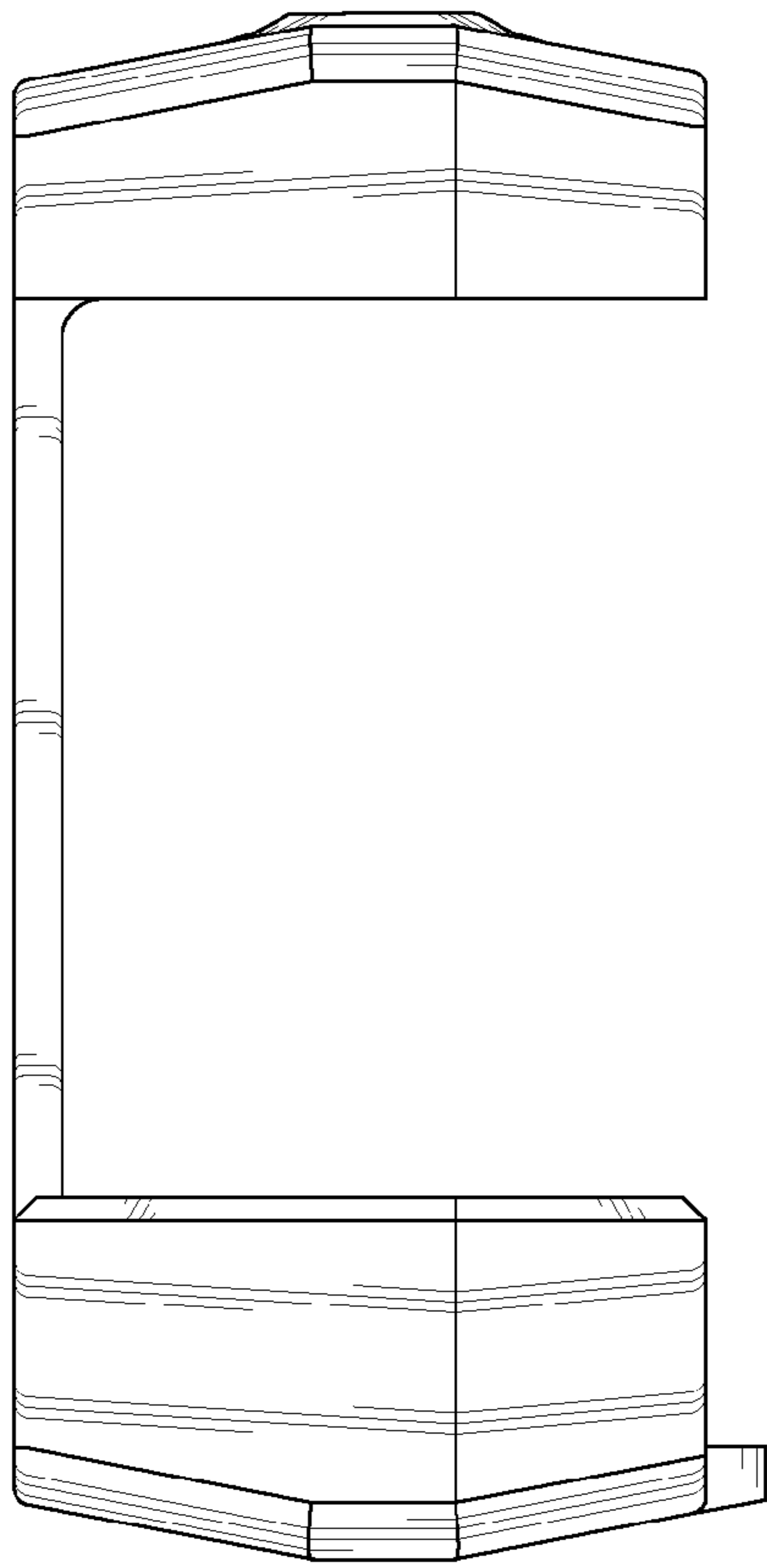


FIG. 6

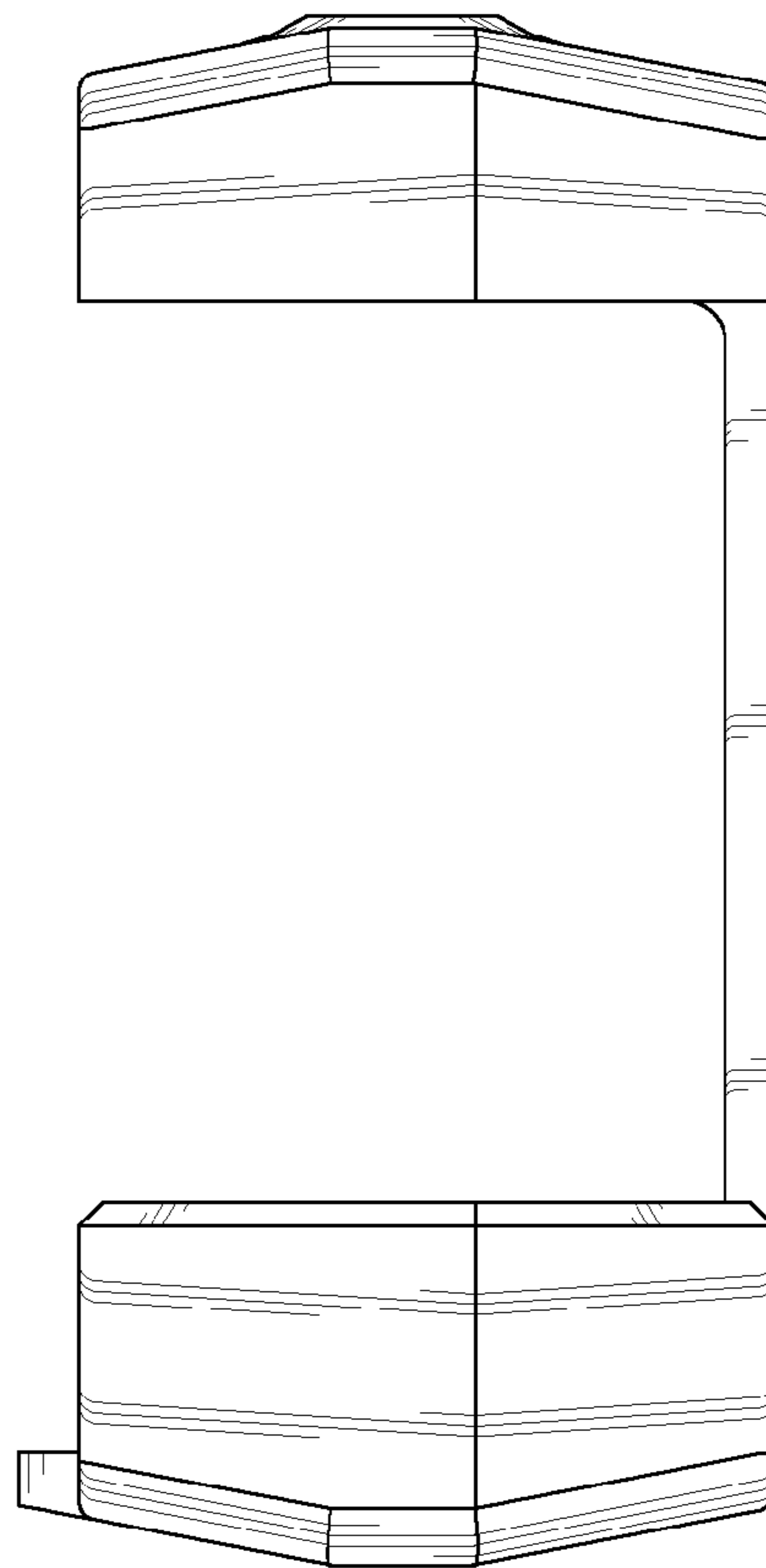


FIG. 7

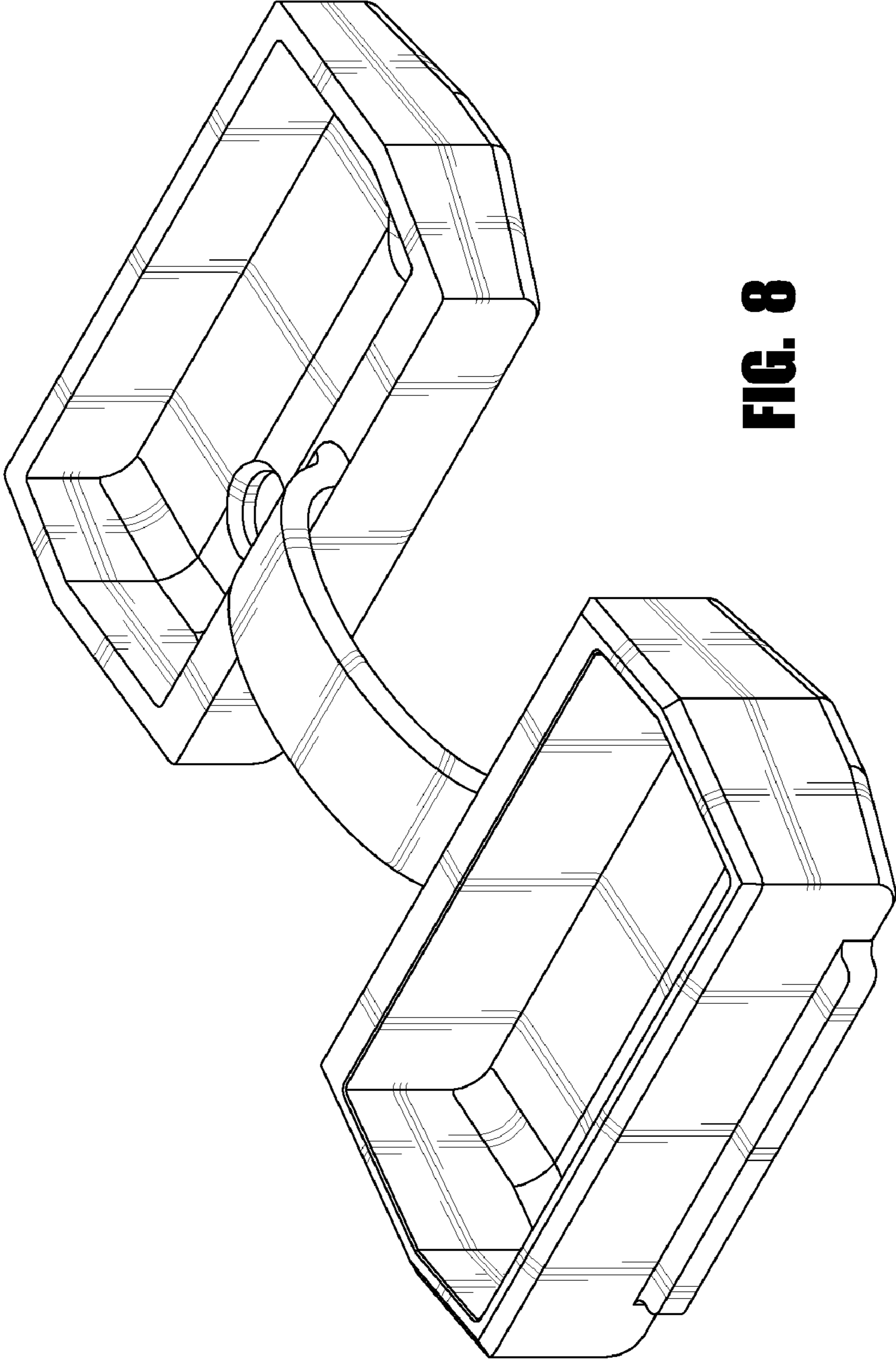


FIG. 8

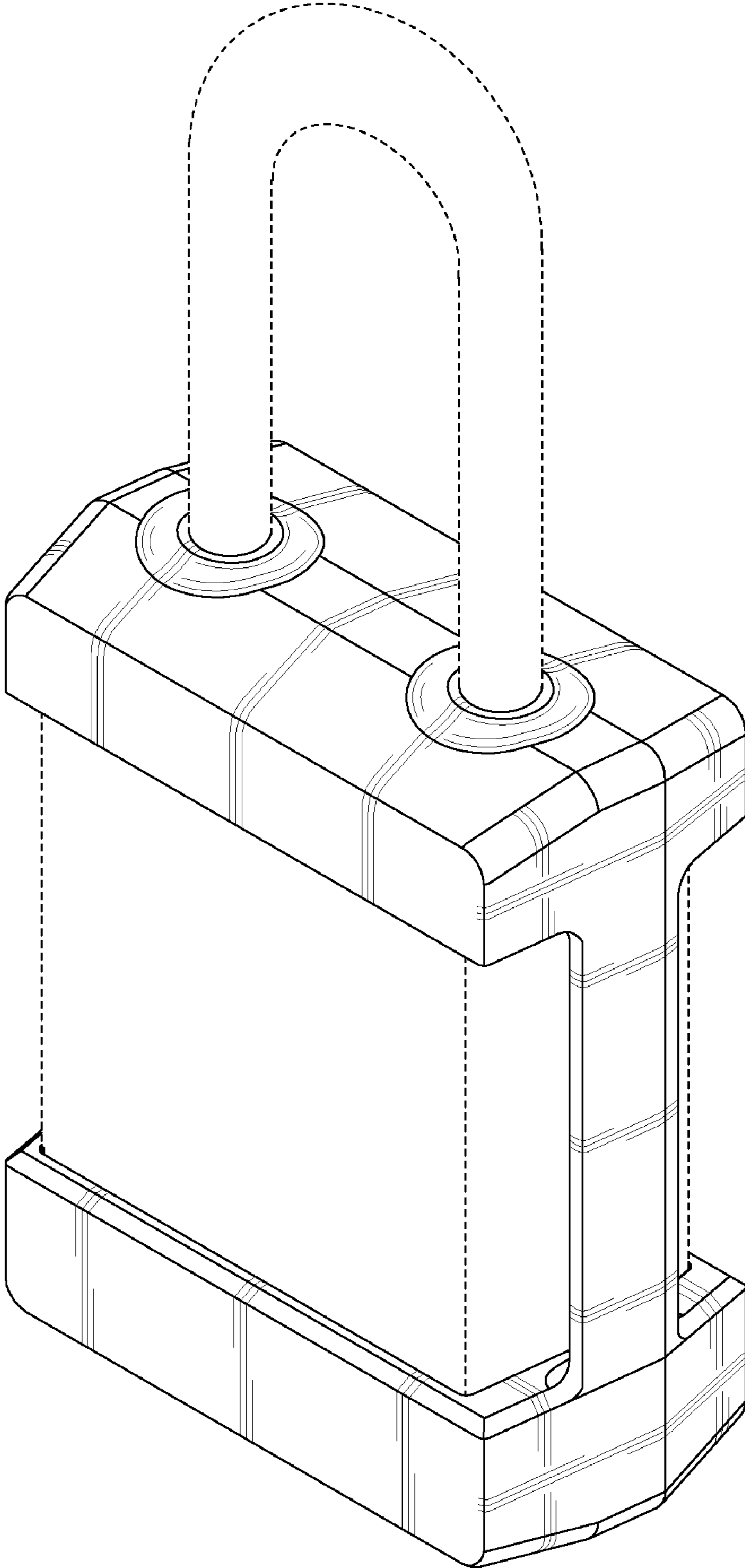


FIG. 9

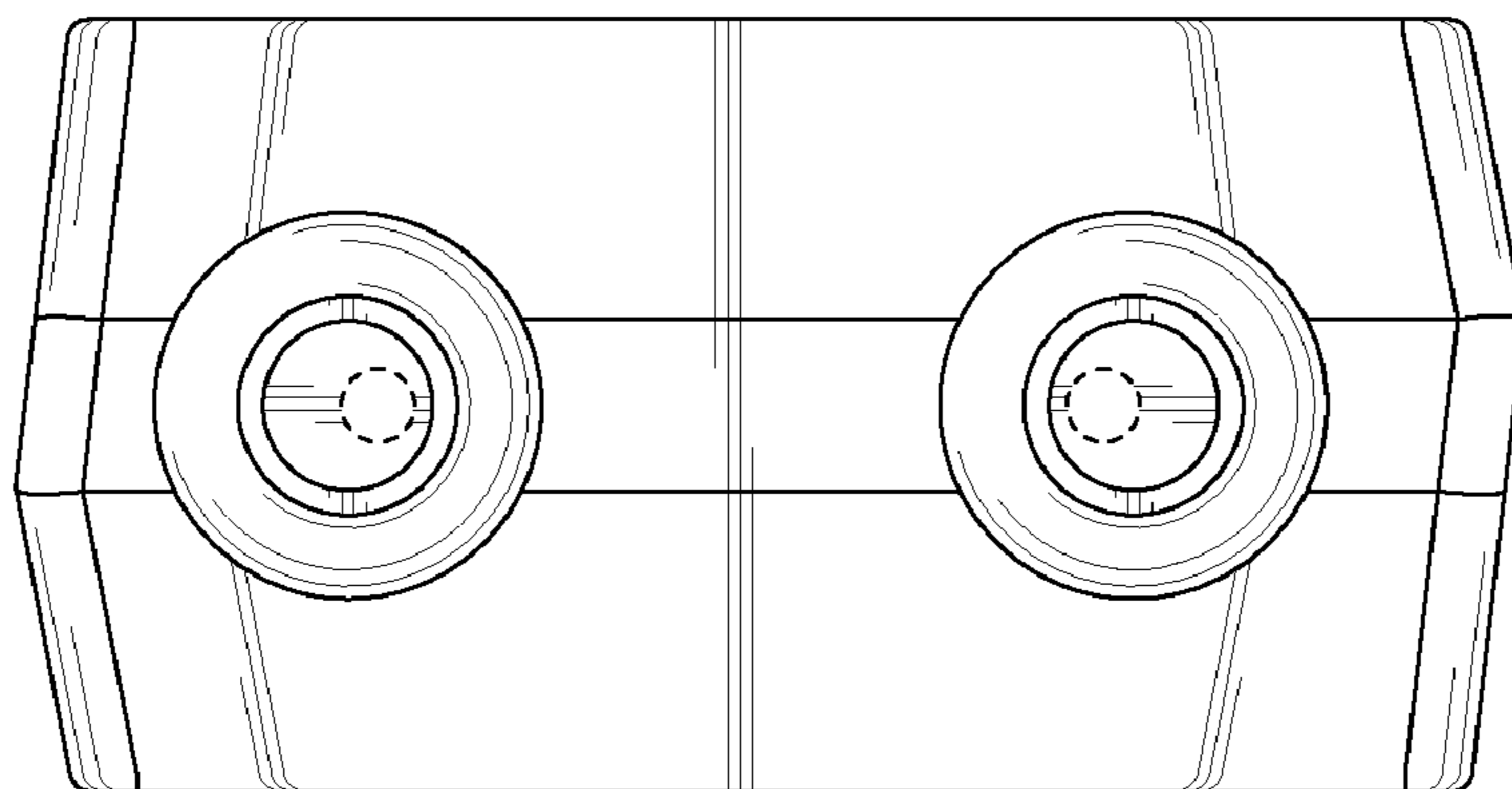


FIG. 10

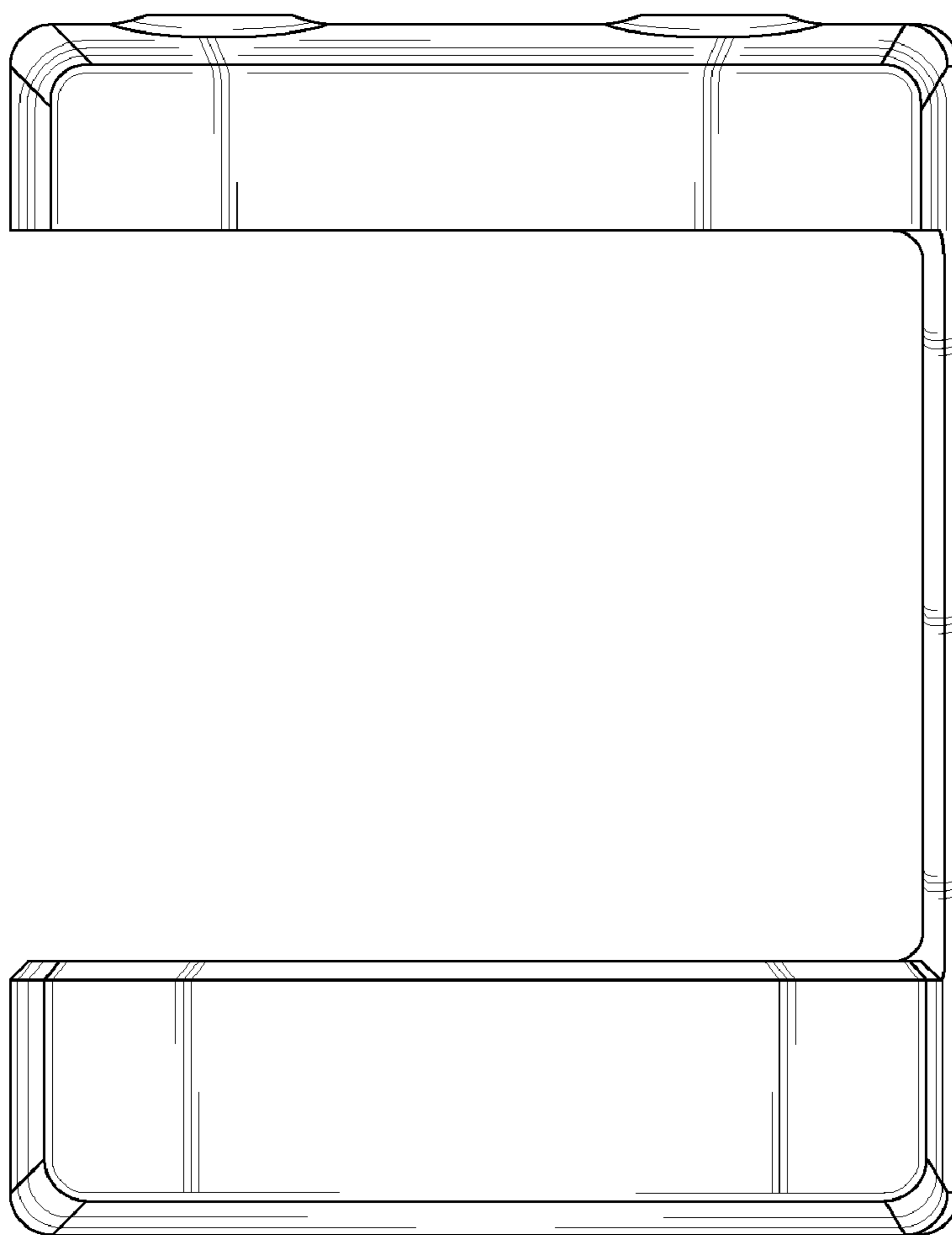


FIG. 11

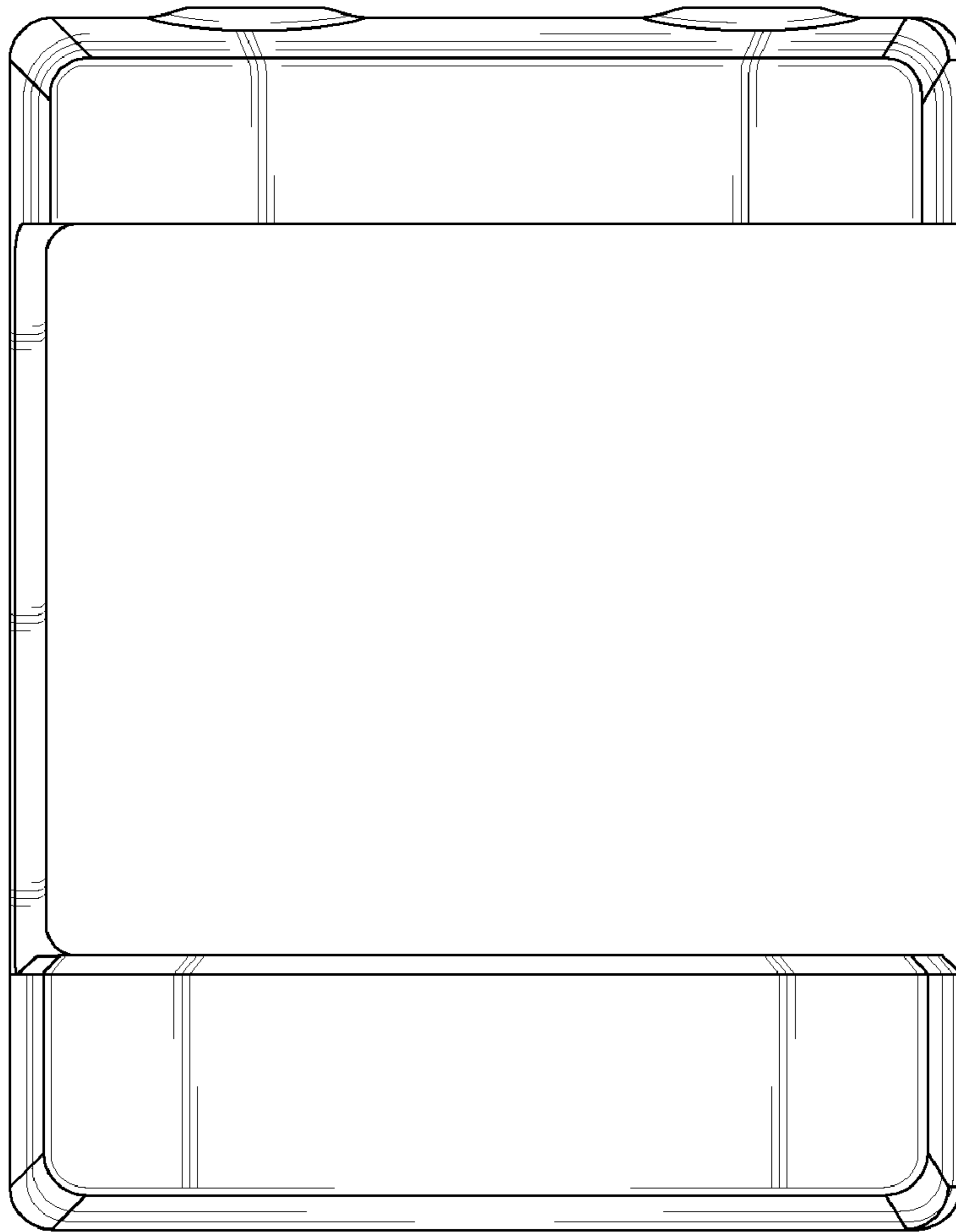


FIG. 12

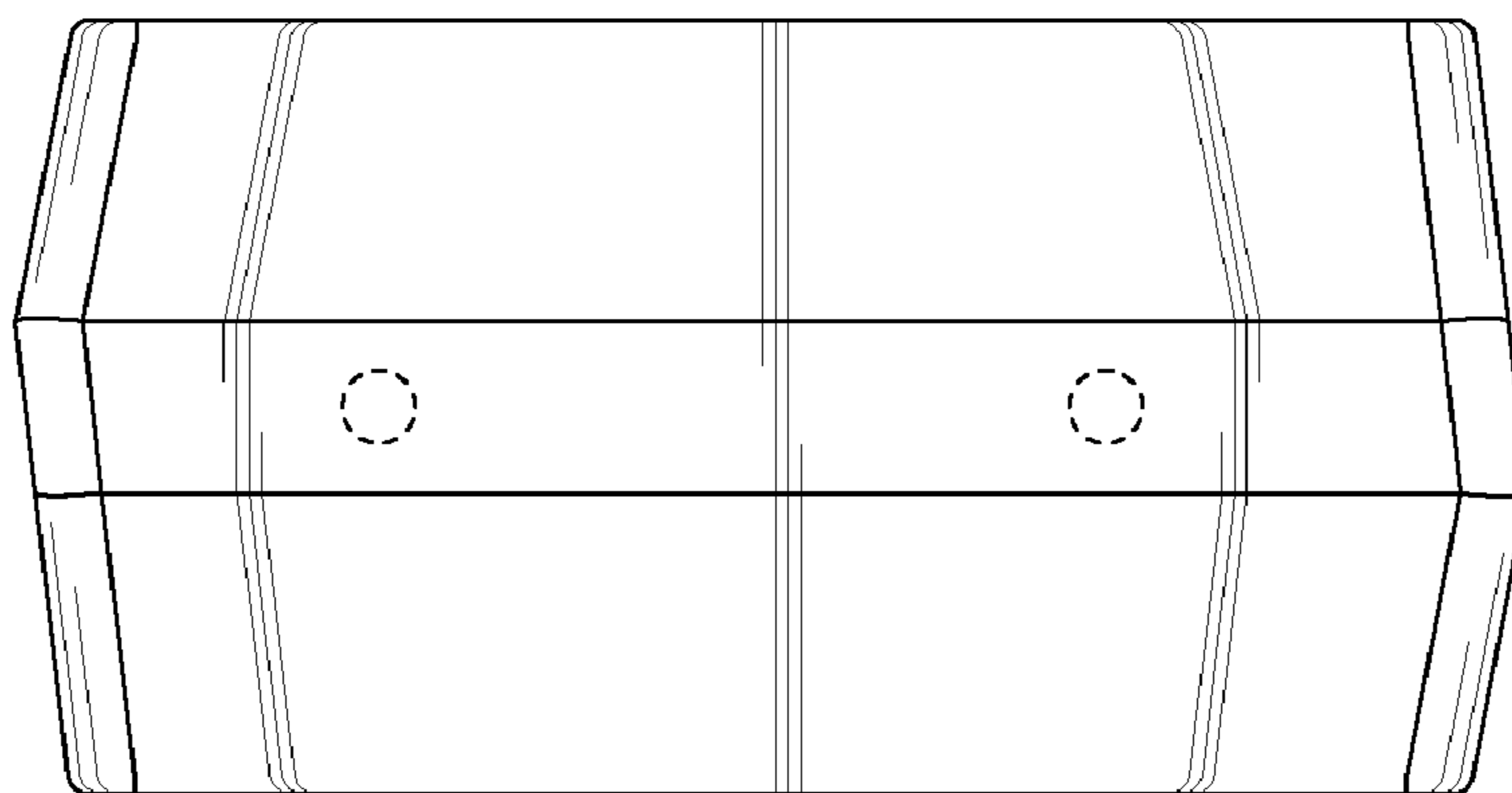


FIG. 13

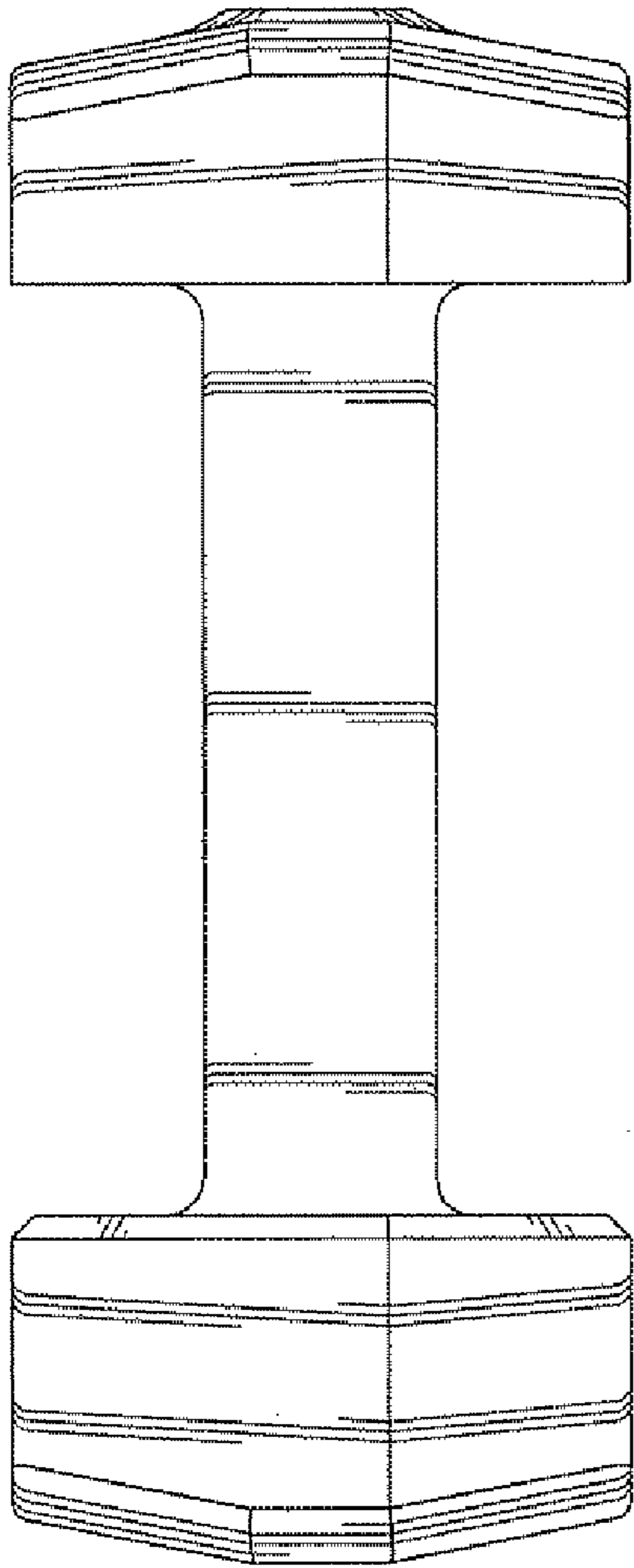


FIG. 14

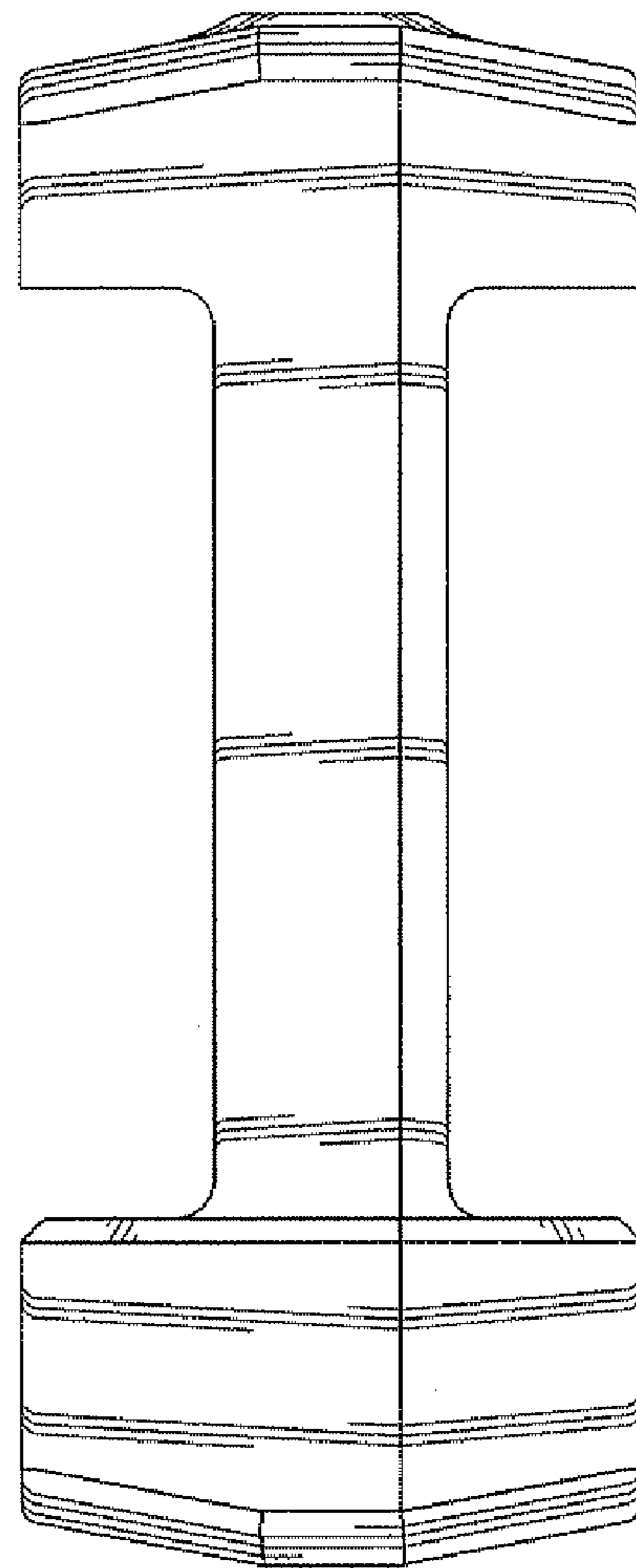


FIG. 15