



US00D656383S

(12) **United States Design Patent**
Matre

(10) **Patent No.:** **US D656,383 S**
(45) **Date of Patent:** **** Mar. 27, 2012**

(54) **PADDLE LATCH**

(76) Inventor: **Daniel A. Matre**, Brookfield, WI (US)

(**) Term: **14 Years**

(21) Appl. No.: **29/392,511**

(22) Filed: **May 23, 2011**

(51) **LOC (9) Cl.** **08-07**

(52) **U.S. Cl.** **D8/331; D8/330; D8/343**

(58) **Field of Classification Search** D8/330,
D8/331, 343, 339, 349, 499; 70/14, 51, 52,
70/57, 262, 431, 141; 37/446, 455, 456;
292/2, 358, 159, DIG. 17, DIG. 43, DIG. 41
See application file for complete search history.

(56) **References Cited**

U.S. PATENT DOCUMENTS

4,082,353	A	4/1978	Hollowell	
4,703,961	A	11/1987	Weinerman et al.	
4,911,487	A *	3/1990	Rachocki	292/216
4,969,916	A *	11/1990	Weinerman et al.	70/208
5,042,853	A *	8/1991	Gleason et al.	292/126
5,299,844	A	4/1994	Gleason	
5,564,295	A	10/1996	Weinerman et al.	
5,586,458	A	12/1996	Weinerman et al.	
5,884,948	A	3/1999	Weinerman et al.	
5,983,682	A *	11/1999	Parikh	70/208
6,145,352	A *	11/2000	Vickers et al.	70/208
6,419,286	B1	7/2002	Szablewski	
6,471,260	B1	10/2002	Weinerman et al.	
6,513,353	B1	2/2003	Weinerman et al.	
6,651,467	B1	11/2003	Weinerman et al.	
D483,430	S *	12/2003	Teskey	D22/108

6,695,362	B2	2/2004	Kluting et al.	
D504,803	S *	5/2005	Misner et al.	D8/302
D542,624	S *	5/2007	Vickers et al.	D8/331
7,267,380	B2	9/2007	Bullock et al.	
D570,192	S *	6/2008	Beckner	D8/331
D570,669	S *	6/2008	Le et al.	D8/331
D585,725	S *	2/2009	Le et al.	D8/331
7,513,541	B1	4/2009	Gregory	
7,726,707	B2	6/2010	Simchayoff et al.	
D638,276	S *	5/2011	Tonizzo et al.	D8/331
2004/0140678	A1	7/2004	Linares	

OTHER PUBLICATIONS

Latch Advertisements.

* cited by examiner

Primary Examiner — Prabhakar Deshmukh

(74) *Attorney, Agent, or Firm* — Boyle Fredrickson, S.C.

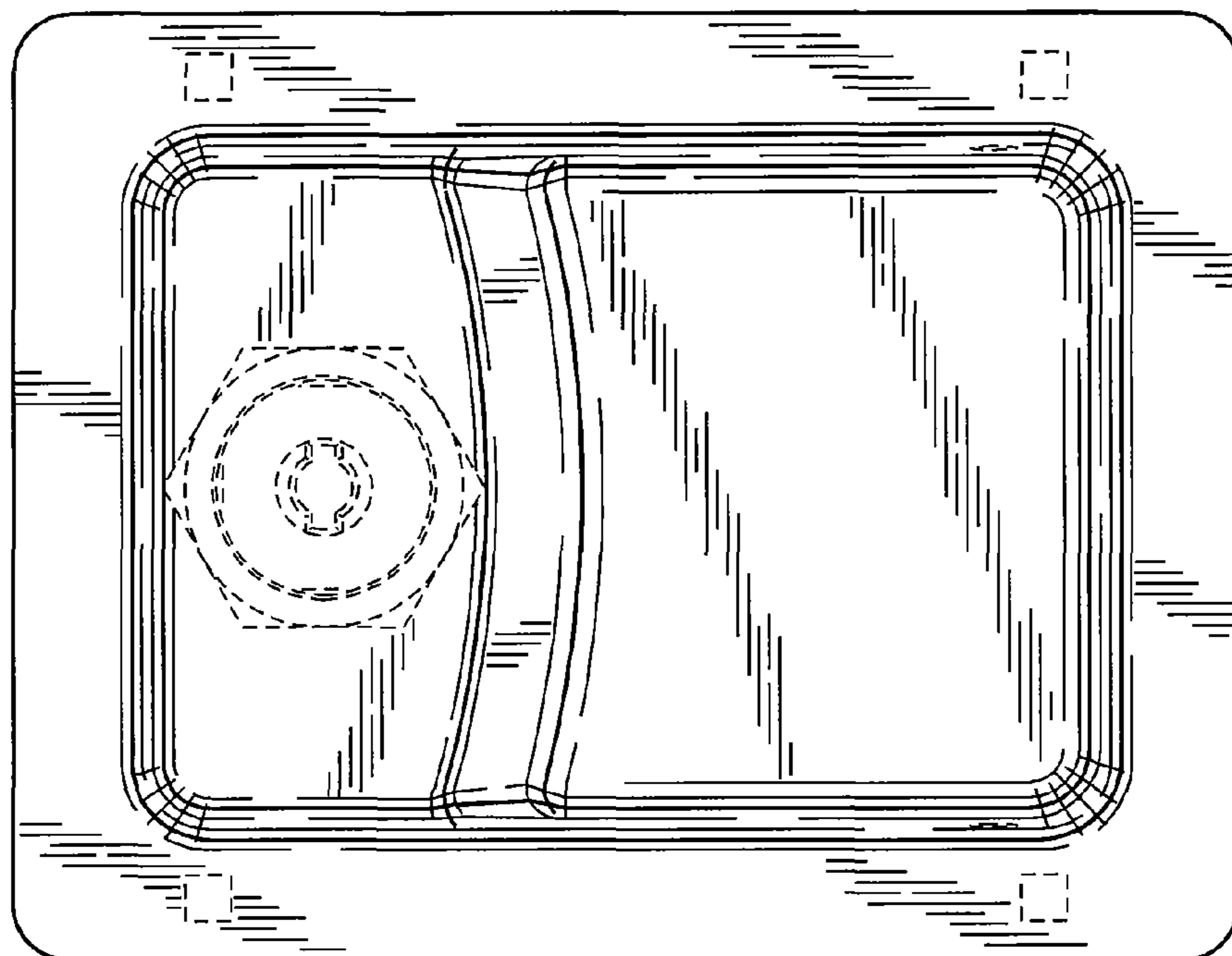
(57) **CLAIM**

The ornamental design of a paddle latch, as shown and described.

DESCRIPTION

FIG. 1 is a perspective view of a paddle latch showing my new design;
FIG. 2 is a top plan view thereof;
FIG. 3 is a front elevational view thereof;
FIG. 4 is a right side elevational view thereof;
FIG. 5 is a left side elevational view thereof; and,
FIG. 6 is a bottom plan view thereof.
The broken lines are for illustrative purpose only and form no part of the claimed design.

1 Claim, 4 Drawing Sheets



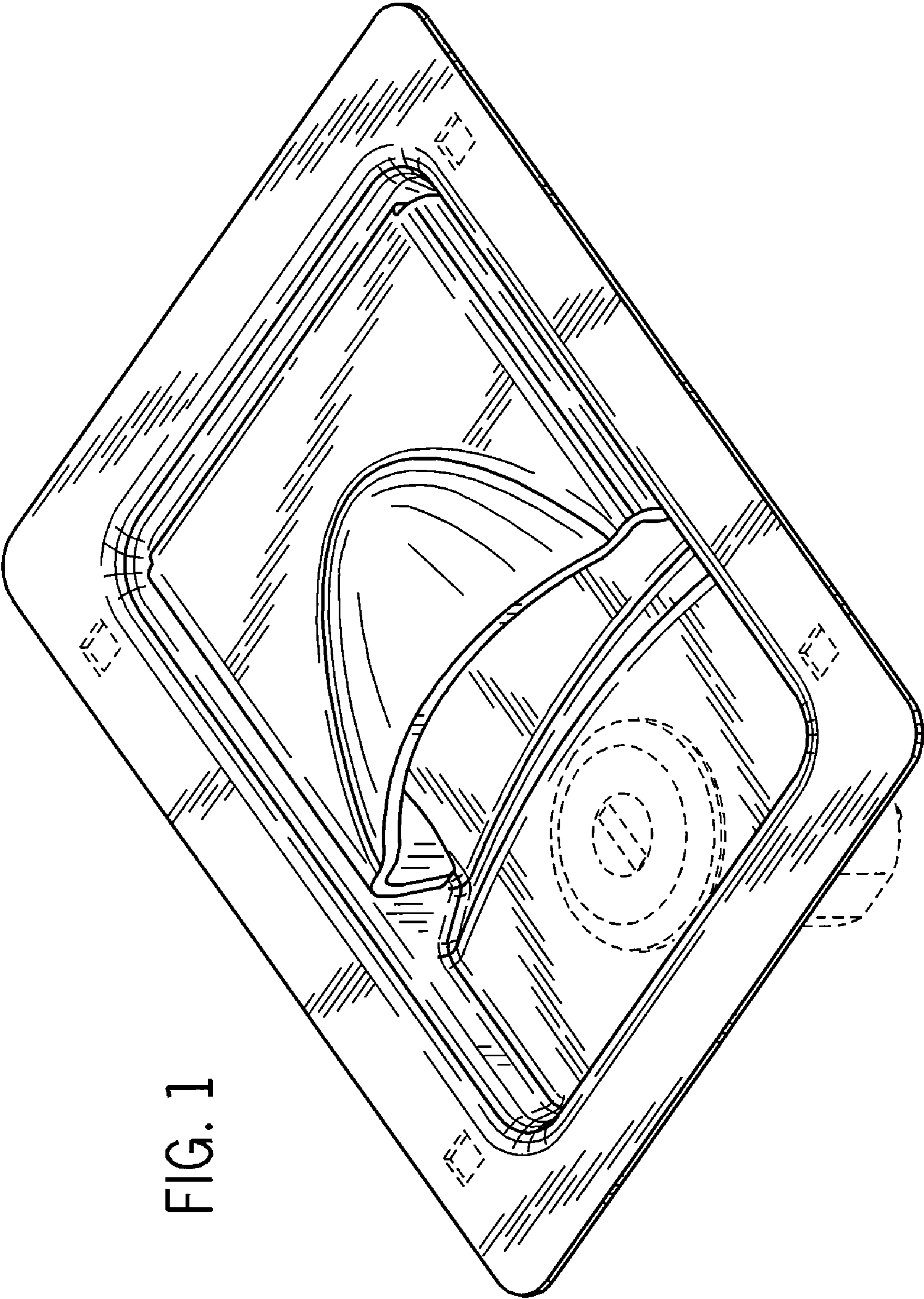


FIG. 1

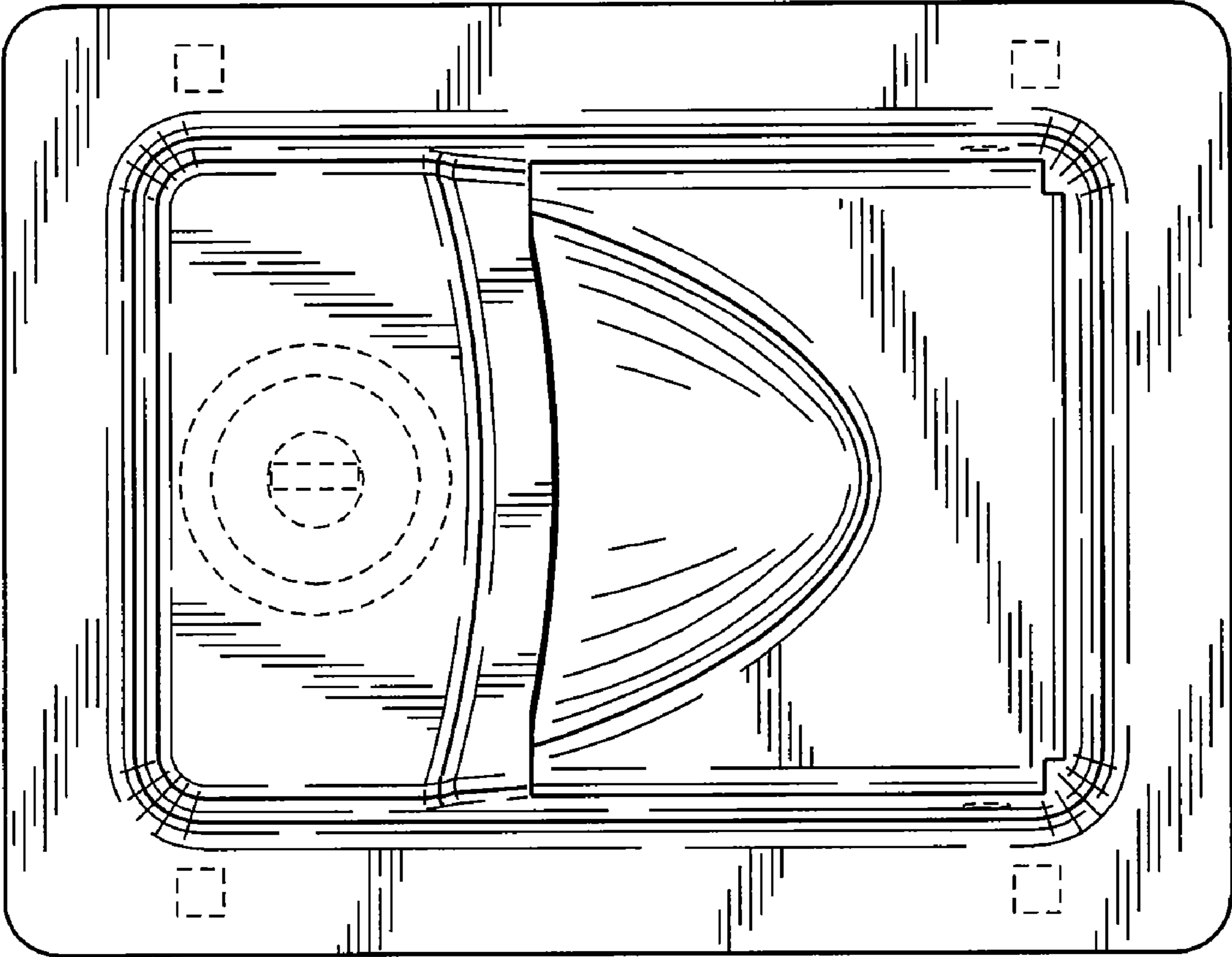


FIG. 2

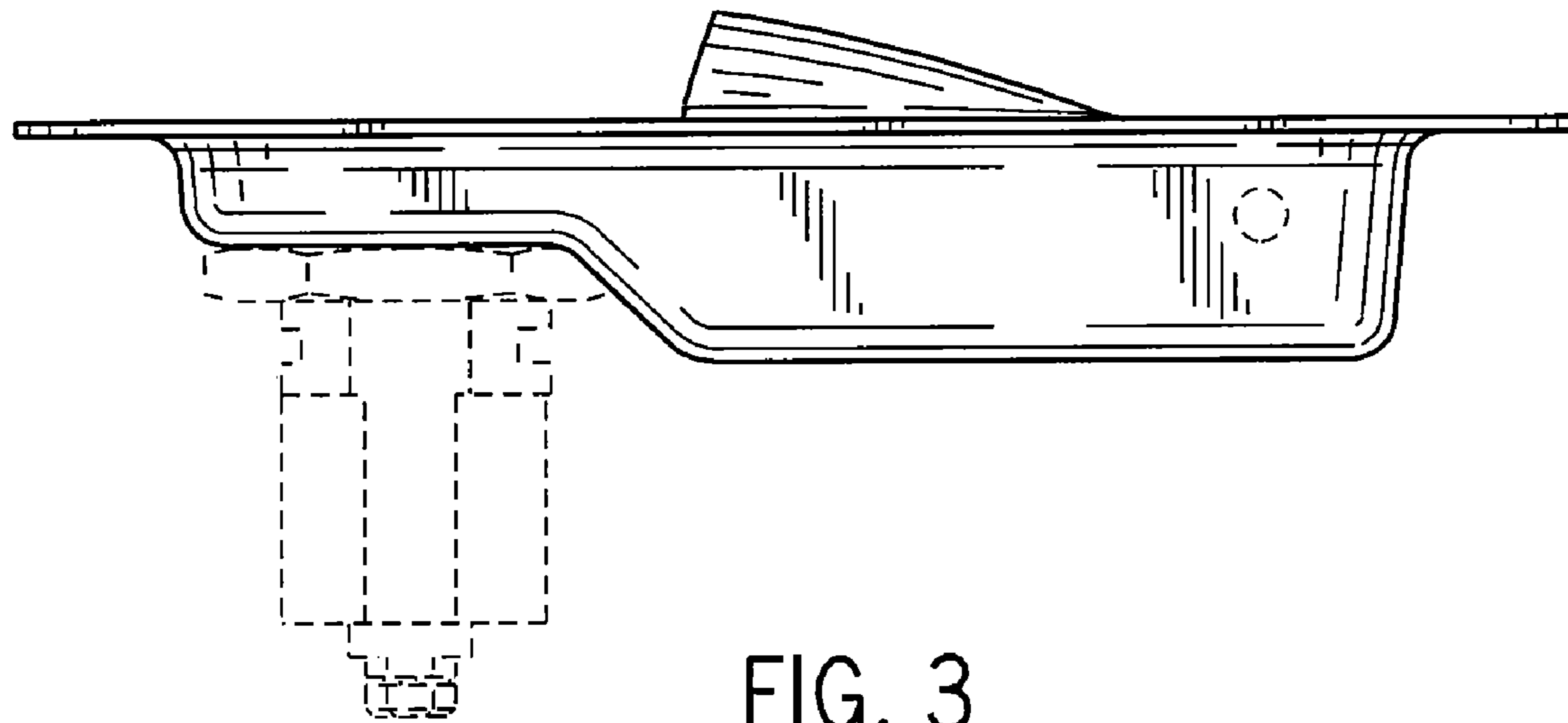


FIG. 3

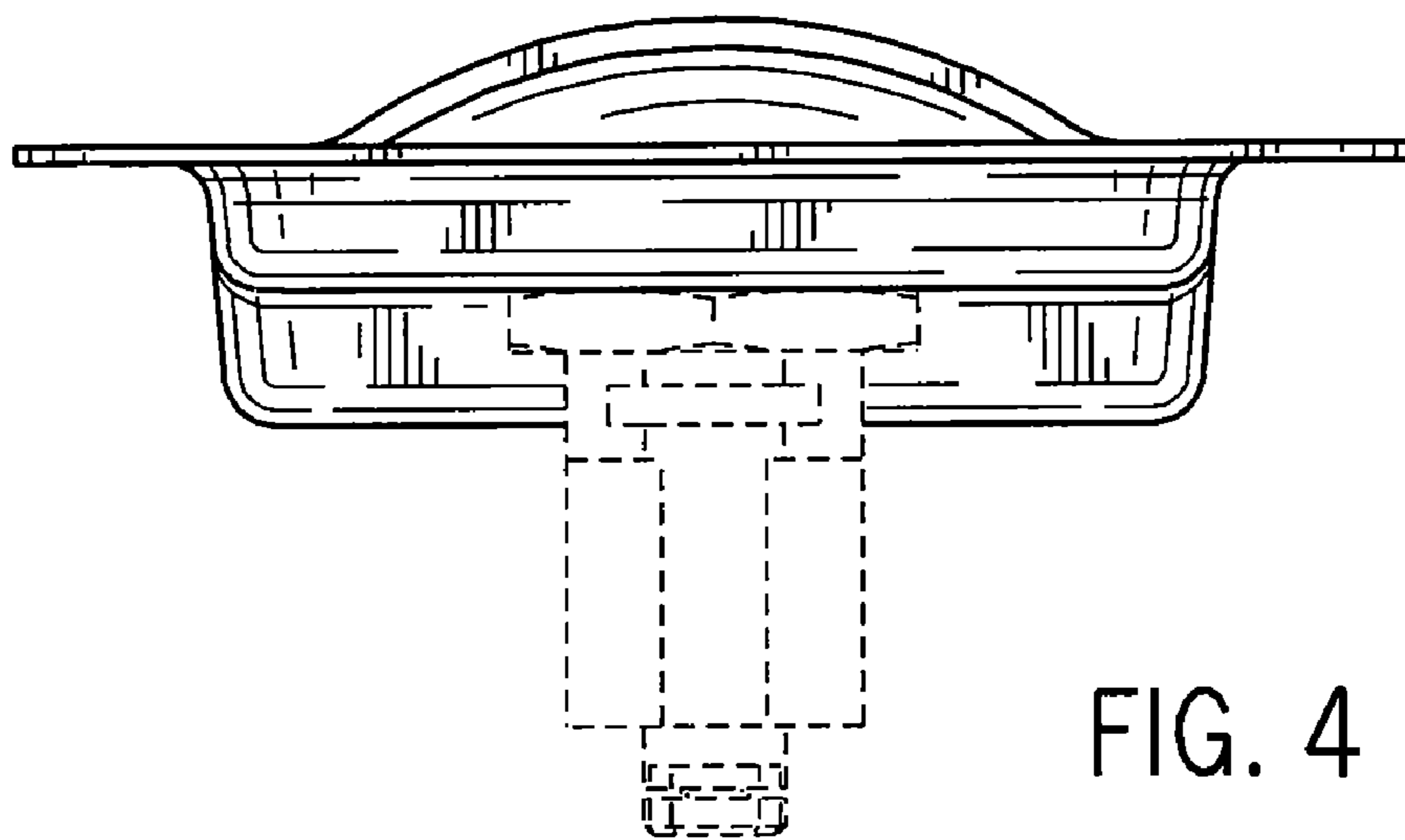


FIG. 4

