



US00D656381S

(12) **United States Design Patent**
Watanabe

(10) **Patent No.:** **US D656,381 S**

(45) **Date of Patent:** **** Mar. 27, 2012**

(54) **CUTTER KNIFE**

(75) Inventor: **Toshiyuki Watanabe**, Osaka (JP)

(73) Assignee: **Olfa Corporation** (JP)

(**) Term: **14 Years**

(21) Appl. No.: **29/375,017**

(22) Filed: **Sep. 16, 2010**

(30) **Foreign Application Priority Data**

Mar. 19, 2010 (JP) D 2010-6823

(51) **LOC (9) Cl.** **08-03**

(52) **U.S. Cl.** **D8/99**

(58) **Field of Classification Search** D8/95-99,
D8/107; D22/118; 30/154-162, 329-331
See application file for complete search history.

(56) **References Cited**

U.S. PATENT DOCUMENTS

D354,900	S	*	1/1995	Hirai	D8/99
D398,829	S	*	9/1998	Okada	D8/99
D399,114	S	*	10/1998	Okada	D8/99
D431,170	S	*	9/2000	Okada	D8/98
D436,825	S	*	1/2001	Chen	D8/99
D442,054	S	*	5/2001	Okada et al.	D8/99
D453,896	S	*	2/2002	Hirai	D8/99
D458,106	S	*	6/2002	Chong	D8/99
D459,189	S	*	6/2002	Chong	D8/99
D499,948	S	*	12/2004	Kondo et al.	D8/99

D517,894	S	*	3/2006	Kondo et al.	D8/99
D523,316	S	*	6/2006	Kondo et al.	D8/99
D553,936	S	*	10/2007	Takamasa	D8/99
D559,651	S	*	1/2008	Takamasa	D8/99
D560,462	S	*	1/2008	Takamasa	D8/98
D562,666	S	*	2/2008	Tou	D8/99
D565,919	S	*	4/2008	Kondo et al.	D8/99
7,434,317	B2	*	10/2008	Levine et al.	30/162
D645,720	S	*	9/2011	Wu	D8/99
2008/0256808	A1	*	10/2008	Levine et al.	30/162

OTHER PUBLICATIONS

The catalogue model "Ltd-08" of the Product Guide 2009>2010 of Olfa Corporation (p. 4).

* cited by examiner

Primary Examiner — Philip S Hyder

Assistant Examiner — Roselynn Cody

(74) *Attorney, Agent, or Firm* — SAIDMAN DesignLaw Group

(57) **CLAIM**

The ornamental design for a cutter knife, as shown and described.

DESCRIPTION

FIG. 1 is a perspective view of a cutter knife showing my new design;

FIG. 2 is a front view thereof;

FIG. 3 is a rear view thereof;

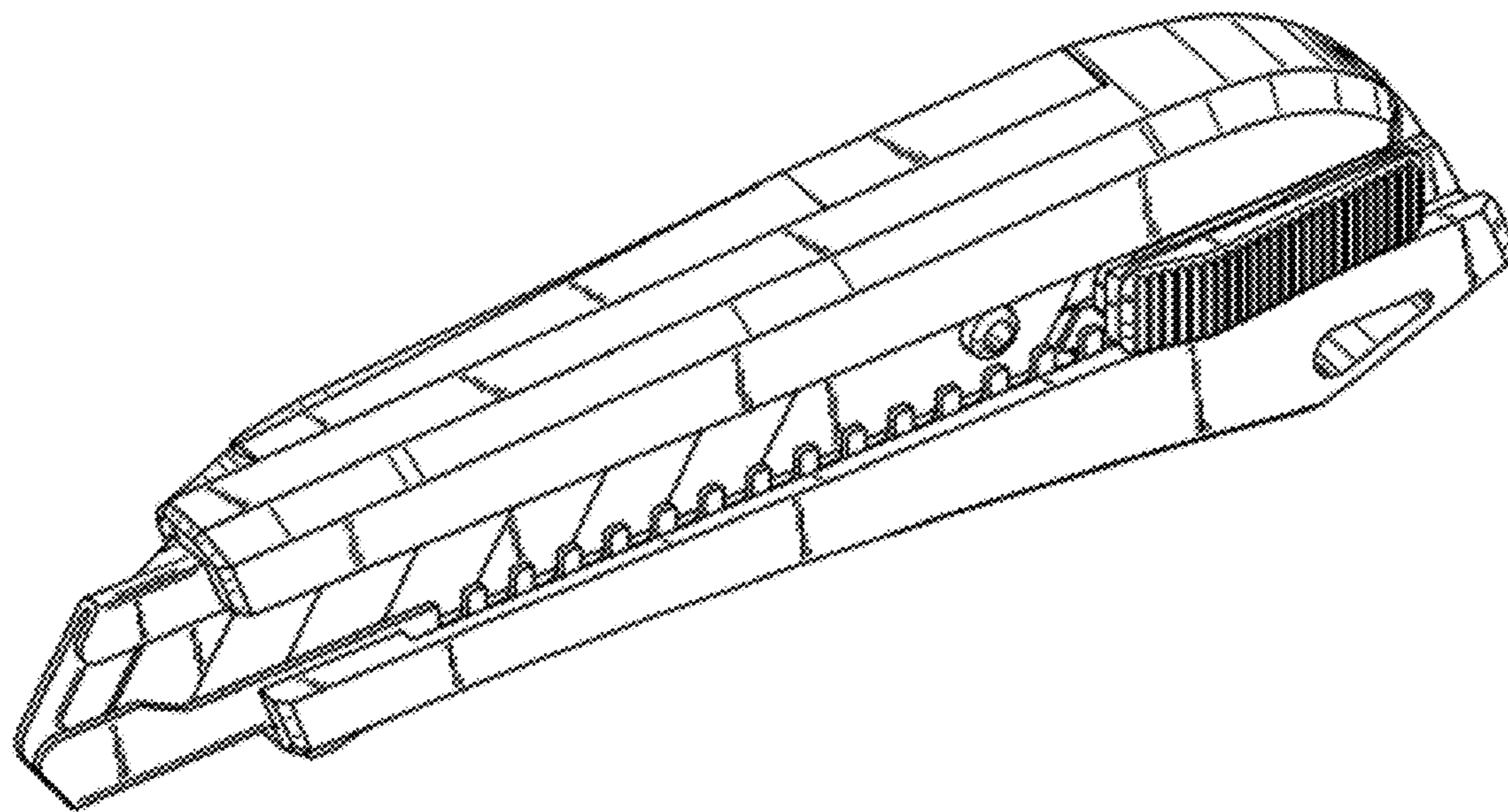
FIG. 4 is a top view thereof;

FIG. 5 is a bottom view thereof;

FIG. 6 is a right side view thereof; and,

FIG. 7 is a left side view thereof.

1 Claim, 3 Drawing Sheets



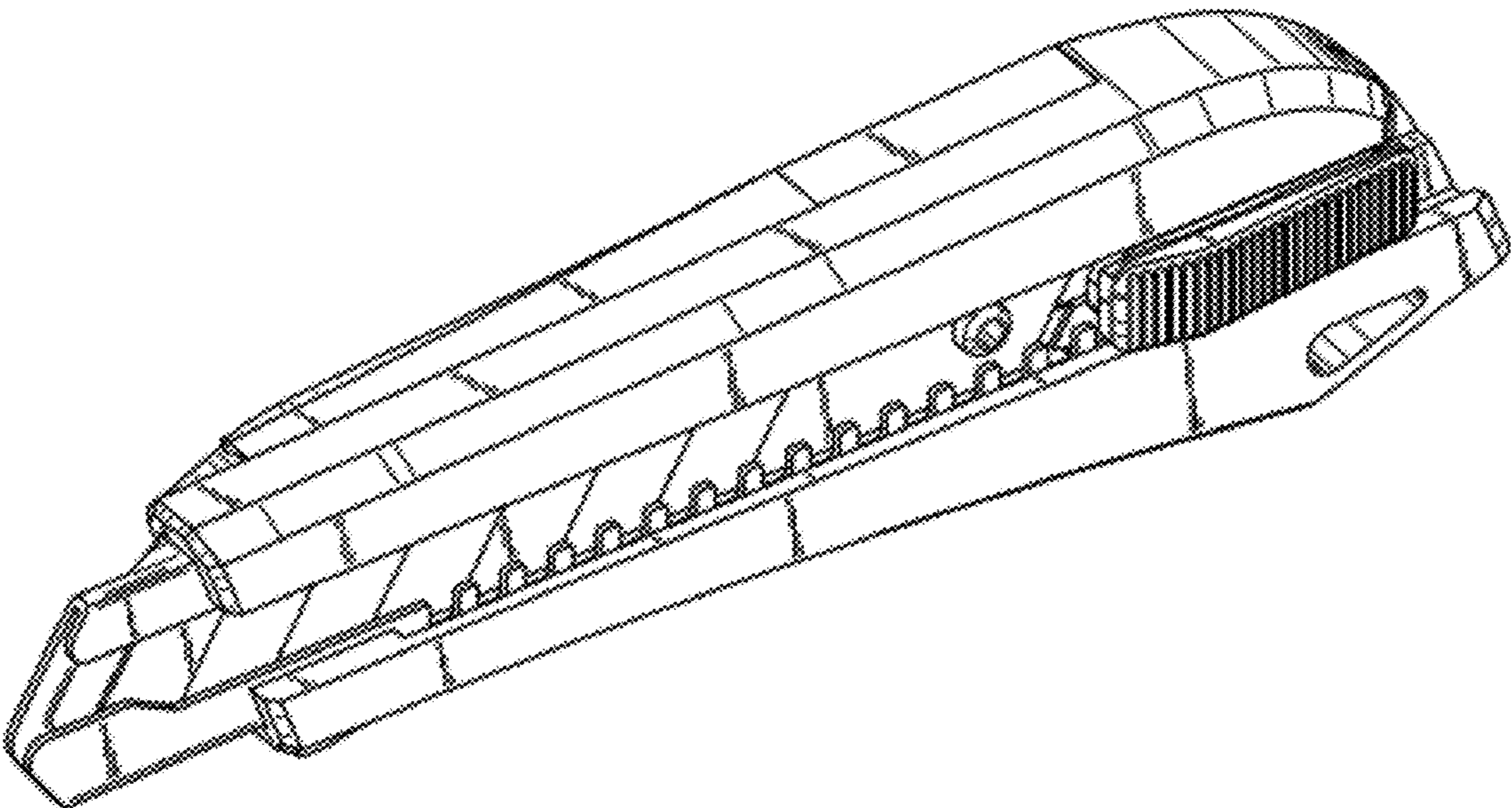


Fig. 1

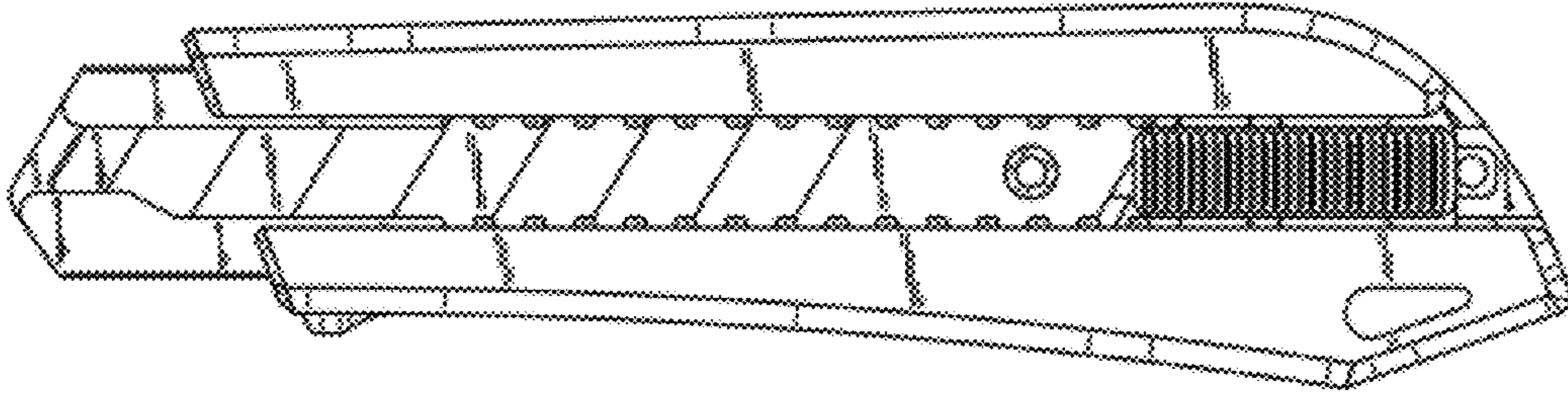


Fig. 2

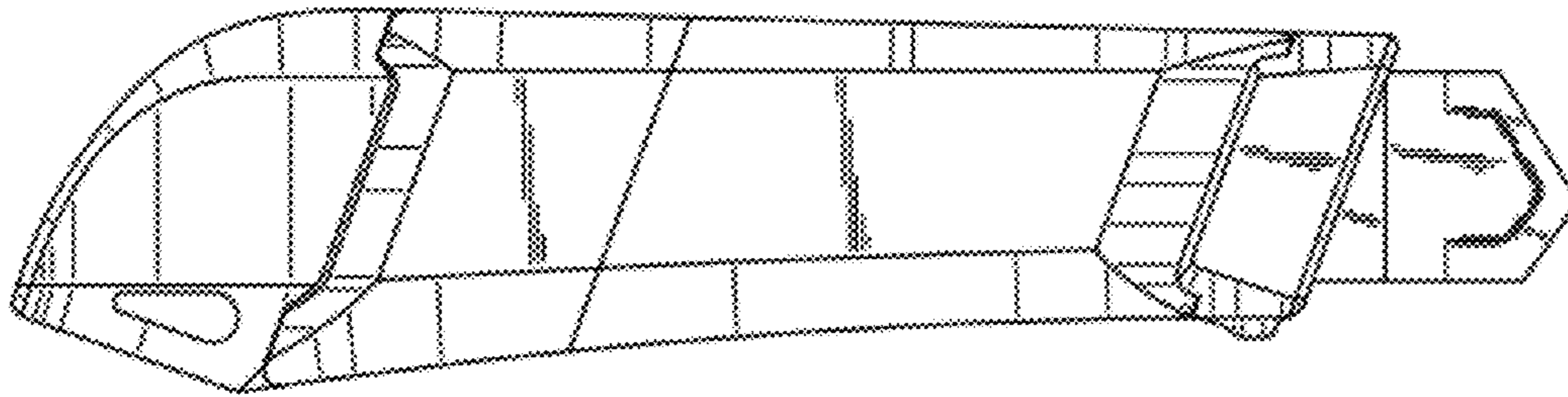


Fig. 3

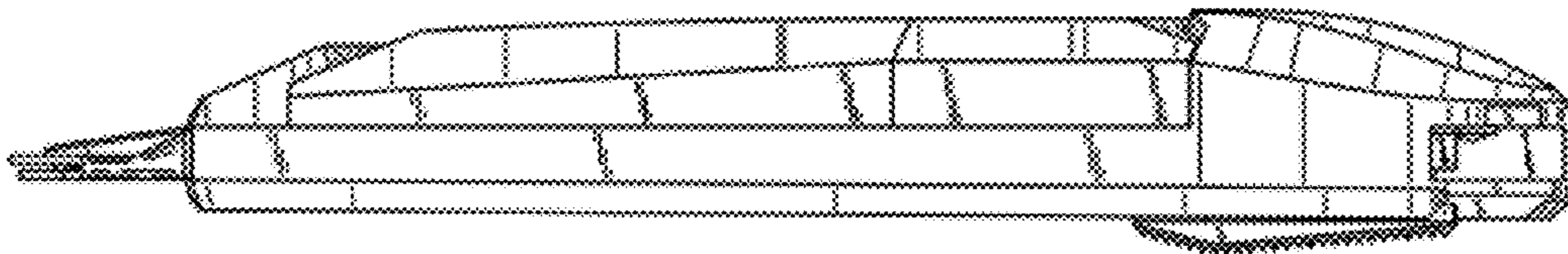


Fig. 4

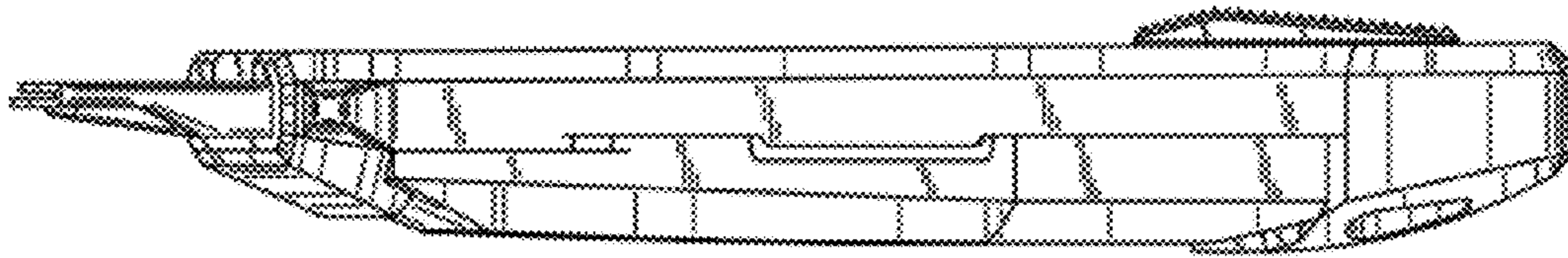


Fig. 5

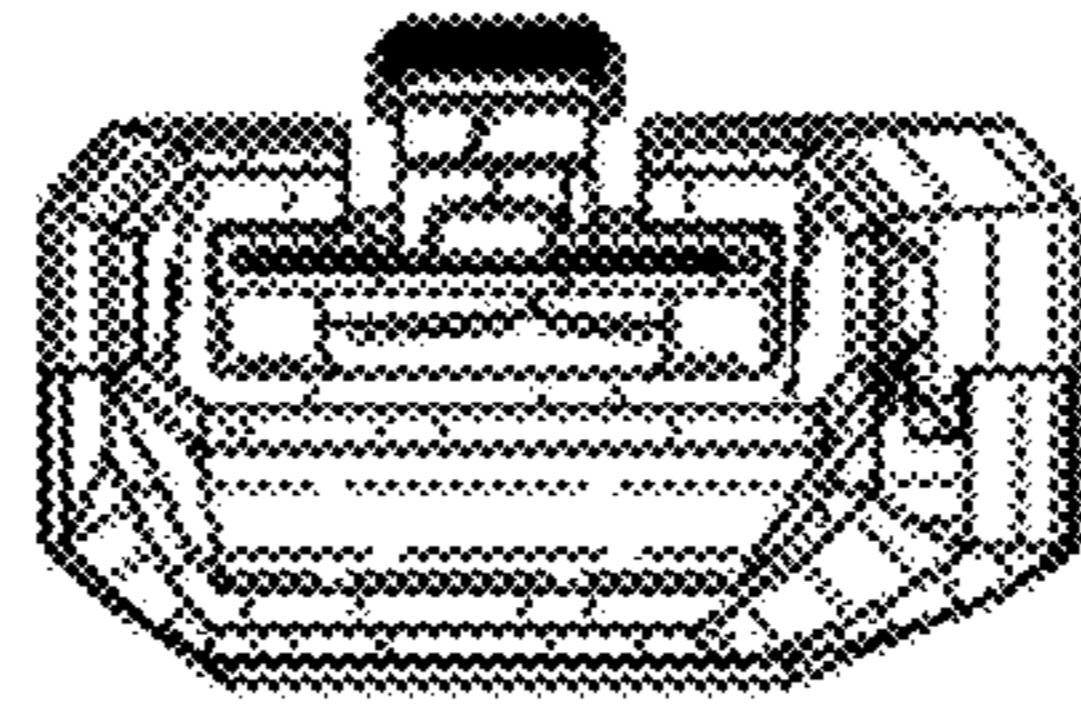


Fig. 6

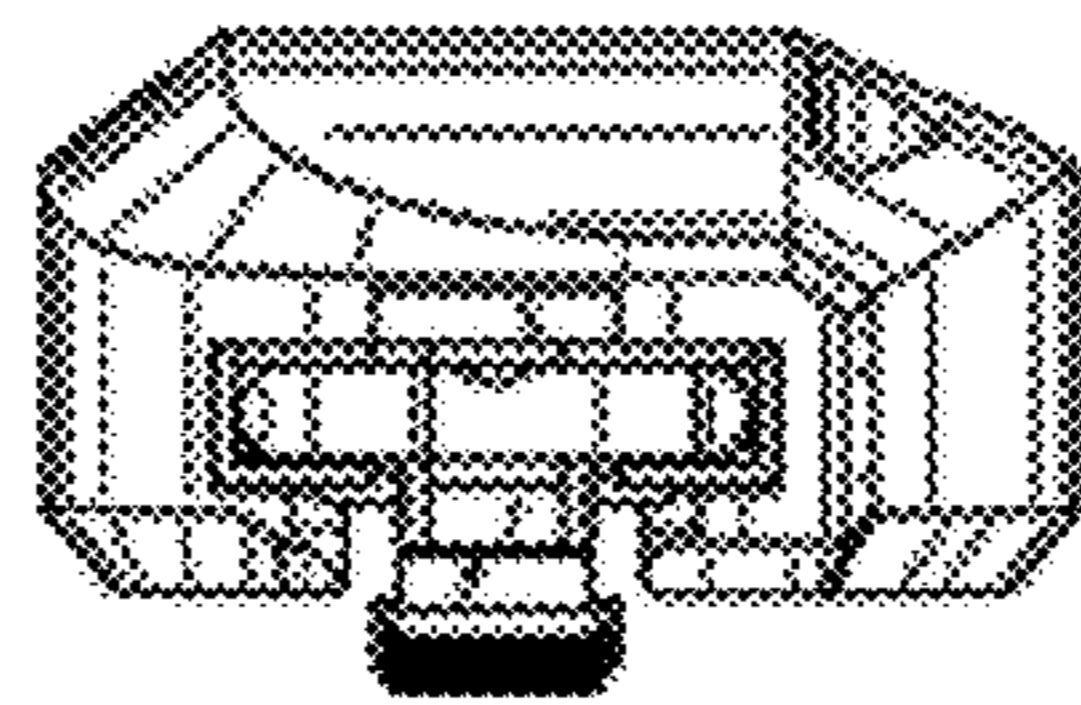


Fig. 7