



US00D656380S

(12) **United States Design Patent**
DeLeon et al.

(10) **Patent No.:** **US D656,380 S**
(45) **Date of Patent:** **** Mar. 27, 2012**

- (54) **FOUR SIDED SHAPING FILE**
 - (76) Inventors: **John Charles DeLeon**, Arlington Heights, IL (US); **Ronald Anthony Mielzynski**, Fox River Grove, IL (US)
 - (**) Term: **14 Years**
 - (21) Appl. No.: **29/370,336**
 - (22) Filed: **Jul. 6, 2010**
 - (51) **LOC (9) Cl.** **08-05**
 - (52) **U.S. Cl.** **D8/90**
 - (58) **Field of Classification Search** D8/62, D8/90, 94, 107; 76/82.2; 407/29.1, 29.15; D28/59
- See application file for complete search history.

- D327,622 S * 7/1992 Braid D8/90
 - D348,598 S * 7/1994 Friel et al. D8/90
 - D360,121 S * 7/1995 Anderson D8/90
 - D360,569 S * 7/1995 Anderson D8/90
 - D372,413 S * 8/1996 Alam D8/90
 - D493,684 S * 8/2004 Smith D8/90
 - D624,798 S * 10/2010 Chen D8/90
 - 2007/0147963 A1 * 6/2007 Critelli et al. 407/29.1
- * cited by examiner

Primary Examiner — Philip S Hyder
Assistant Examiner — Roselynn Cody

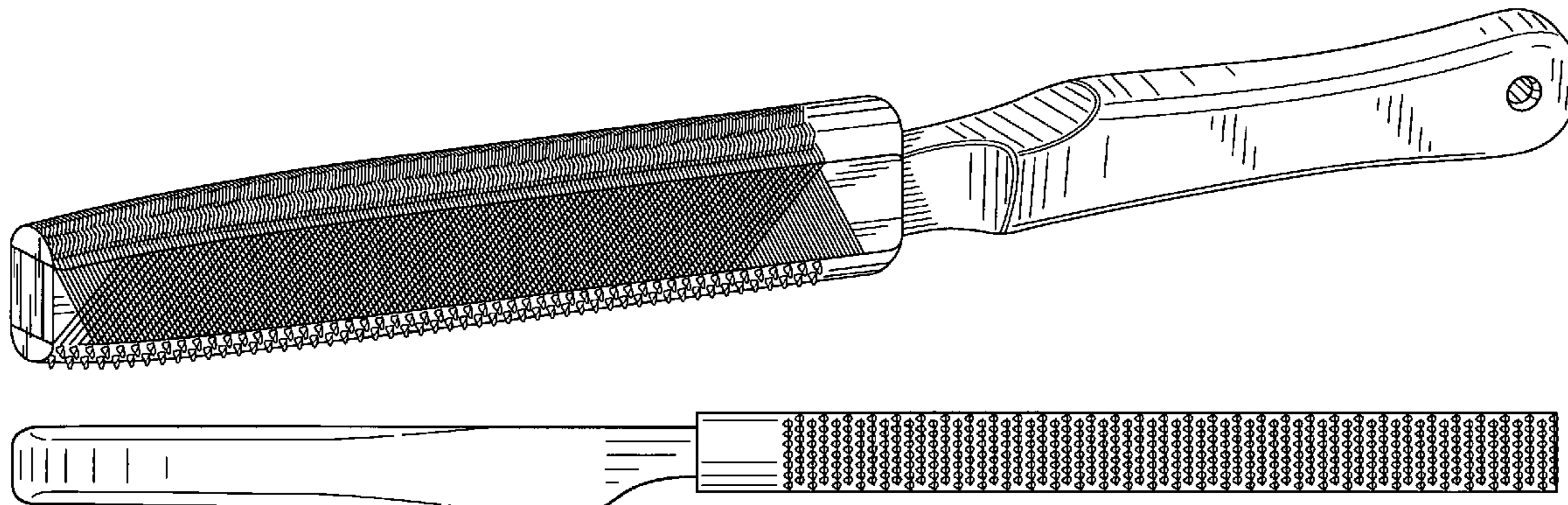
(57) **CLAIM**
We claim the ornamental design for a four sided shaping file, as shown and described.

DESCRIPTION

FIG. 1 - is a perspective view of our four sided shaping file;
 FIG. 2 - is another perspective view thereof;
 FIG. 3 - is a top view thereof, with the contoured top file surface showing two sets of cross parallel teeth;
 FIG. 4 - is a side view thereof, with the side file surface showing two sets of cross parallel teeth;
 FIG. 5 - is a reverse side view thereof, with the side file surface showing one set of parallel teeth;
 FIG. 6 - is a bottom view thereof, with the contoured bottom showing a rasp file surface;
 FIG. 7 - is a front view thereof;
 FIG. 8 - is a rear view thereof;
 FIG. 9 - is an enlarged view of the file surface described in FIG. 3;
 FIG. 10 - is an enlarged view of the file surface described in FIG. 4;
 FIG. 11 - is an enlarged view of the file surface described in FIG. 5; and,
 FIG. 12 - is an enlarged view of the file surface described in FIG. 6.

- (56) **References Cited**
- U.S. PATENT DOCUMENTS
- D28,690 S * 5/1898 Brown D8/90
 - 881,557 A * 3/1908 Deming 451/521
 - 1,066,340 A * 7/1913 Thomas 76/31
 - D46,976 S * 2/1915 Sibley D28/59
 - 1,766,321 A * 6/1930 Arthur 132/76.5
 - 2,089,619 A * 8/1937 Ripley 407/29.1
 - 2,214,954 A * 9/1940 Crater 407/29.1
 - 2,460,513 A * 2/1949 Le Fevre 407/29.1
 - 2,833,025 A * 5/1958 Crawford 407/29.15
 - 2,906,612 A * 9/1959 Anthony et al. 51/309
 - 2,976,602 A * 3/1961 Nelson 407/29.15
 - D211,107 S * 5/1968 Theobald et al. D8/90
 - D211,748 S * 7/1968 Nuora D8/90
 - D214,178 S * 5/1969 Coon et al. D8/90
 - D217,219 S * 4/1970 Coon et al. D8/90
 - D225,720 S * 1/1973 Coon et al. D8/90
 - D230,872 S * 3/1974 Covey D8/94
 - 4,249,349 A * 2/1981 Rueb 451/524
 - D267,146 S * 12/1982 West et al. D8/90
 - D301,070 S * 5/1989 Lallerstedt D28/59
 - 4,941,246 A * 7/1990 Finnegan 407/29.15
 - D312,874 S * 12/1990 Davison et al. D24/146

1 Claim, 2 Drawing Sheets



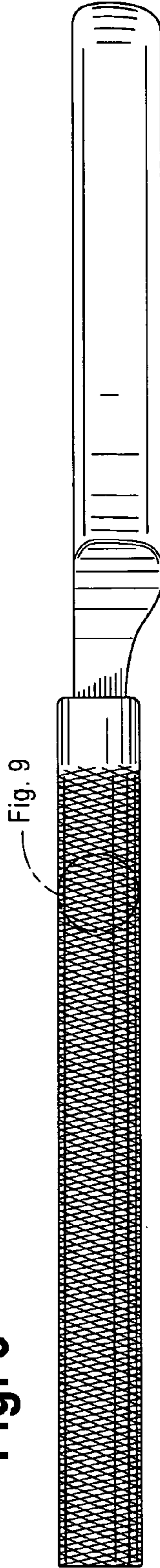
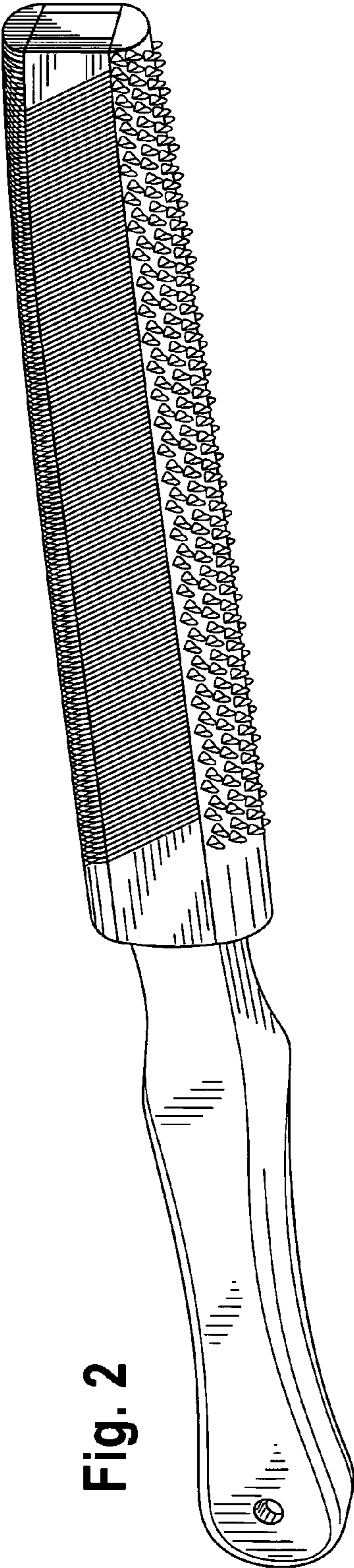
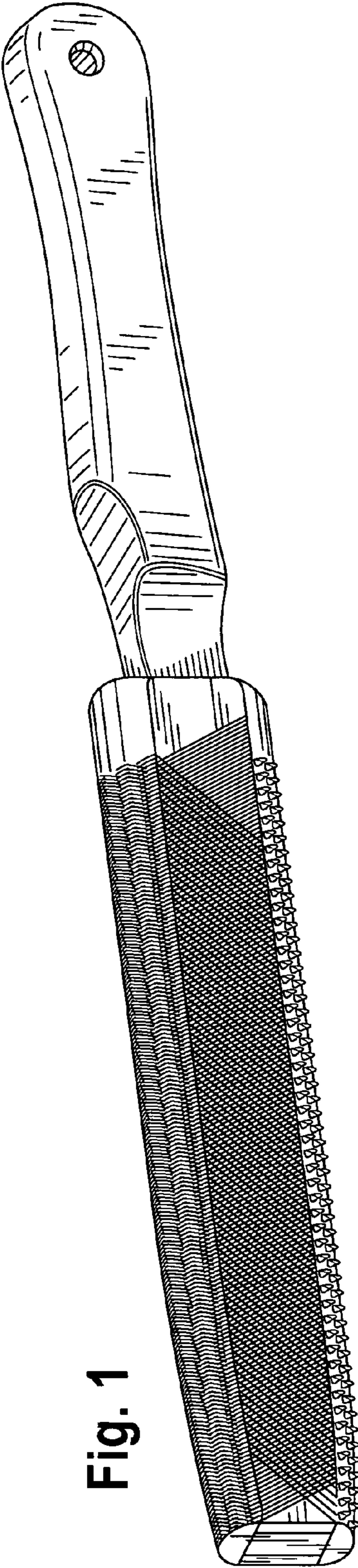


Fig. 1

Fig. 2

Fig. 3

Fig. 4

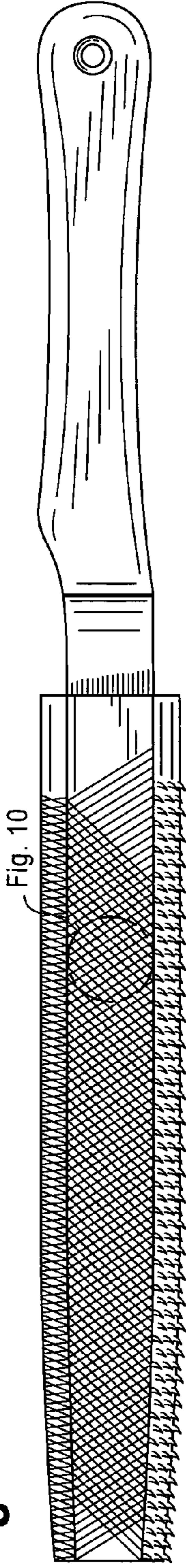


Fig. 5

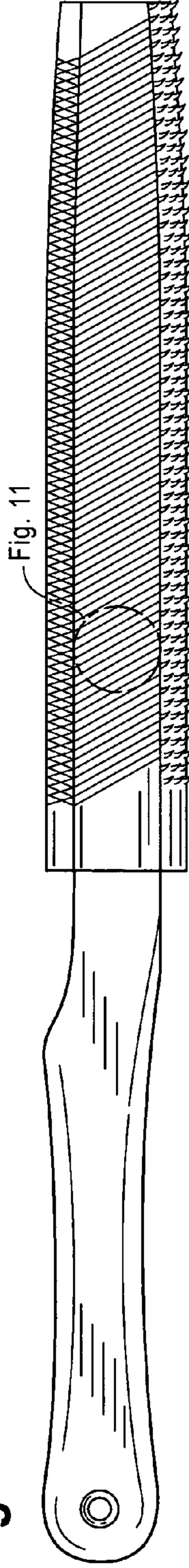


Fig. 6

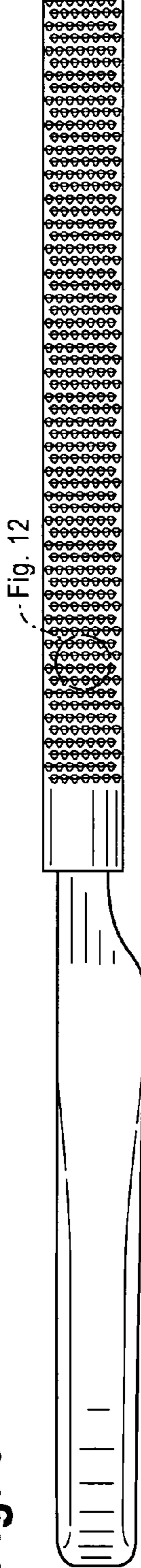


Fig. 7

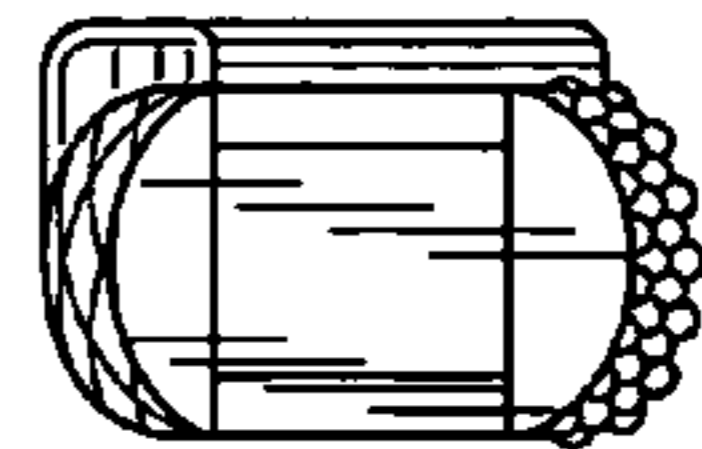


Fig. 8

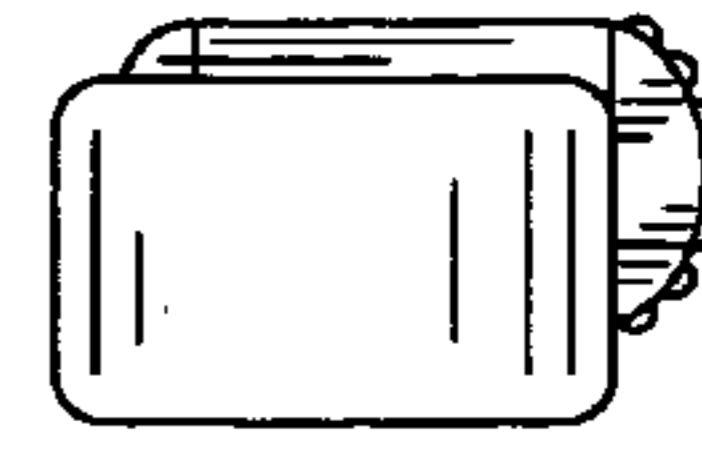


Fig. 9

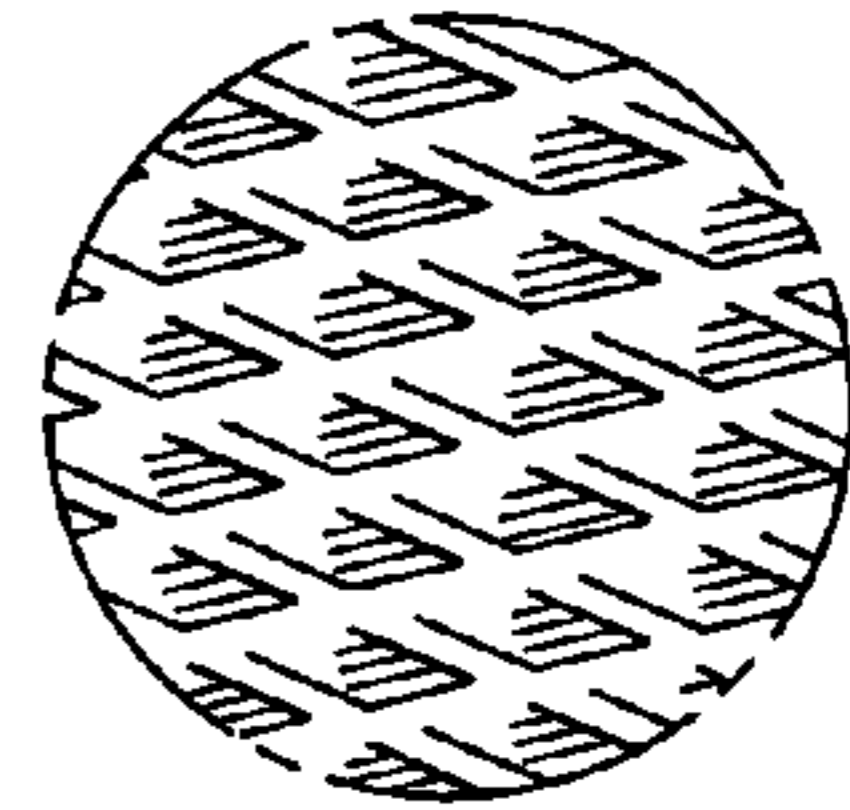


Fig. 10

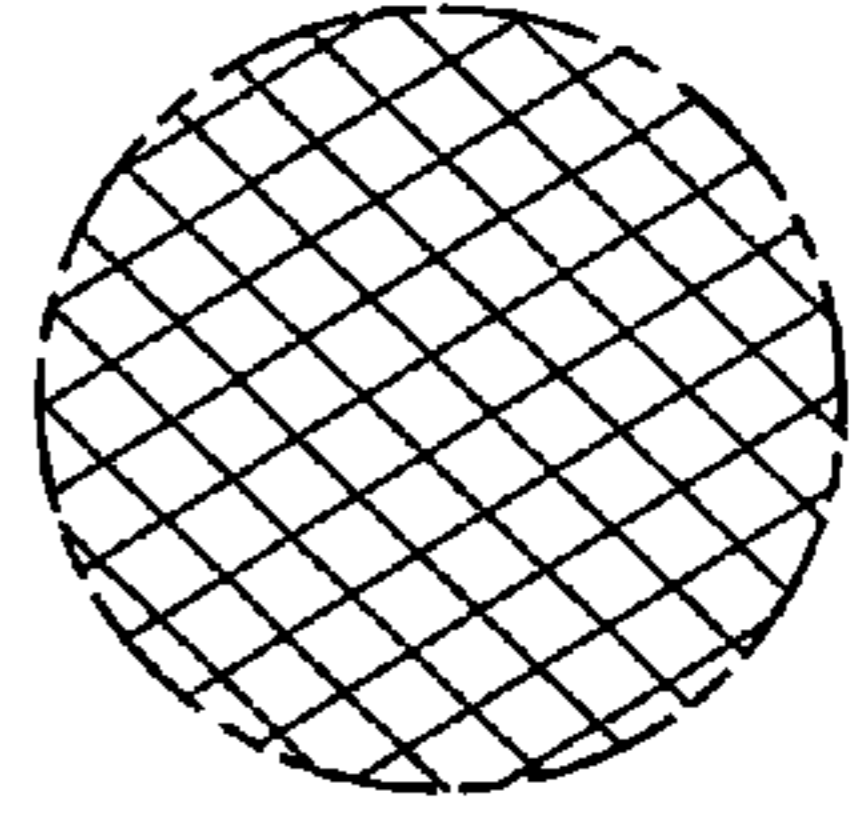


Fig. 11

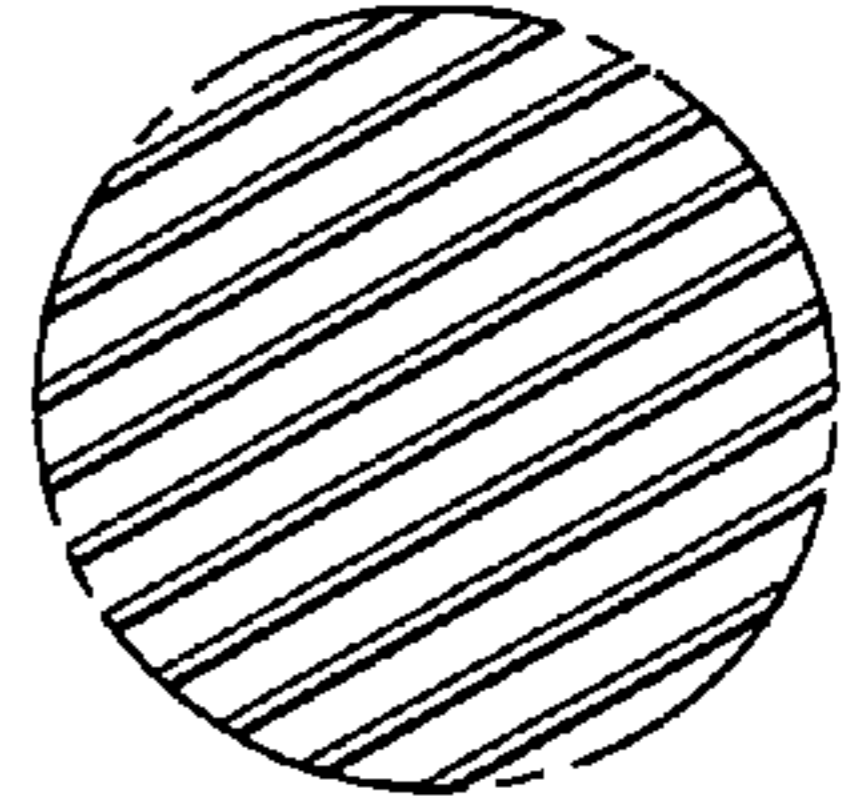


Fig. 12

