



US00D656371S

(12) **United States Design Patent**
Sweeney

(10) **Patent No.:** **US D656,371 S**
(45) **Date of Patent:** **** Mar. 27, 2012**

(54) **STRING TRIMMER**

(75) Inventor: **Sean Sweeney**, County Durham (GB)

(73) Assignee: **Black & Decker Inc.**, Newark, DE (US)

(**) Term: **14 Years**

(21) Appl. No.: **29/379,456**

(22) Filed: **Nov. 19, 2010**

(30) **Foreign Application Priority Data**

May 26, 2010 (EP) 001216188

(51) **LOC (9) Cl.** **08-01**

(52) **U.S. Cl.** **D8/8**

(58) **Field of Classification Search** D8/8, 7,
D8/9; D15/17, 1; 30/276, 208–210, 347,
30/228, 382–383; 56/12.7, 233–234

See application file for complete search history.

(56) **References Cited**

U.S. PATENT DOCUMENTS

D446,699	S	*	8/2001	Marshall et al.	D8/8
D510,512	S	*	10/2005	Robson	D8/8
D547,143	S	*	7/2007	Evans et al.	D8/8
D548,029	S	*	8/2007	Evans et al.	D8/8
D578,842	S	*	10/2008	Houghton	D8/8
D580,237	S	*	11/2008	Bradford	D8/8

D580,719	S	*	11/2008	Baxter	D8/8
D582,224	S	*	12/2008	Bochmann et al.	D8/8
D625,972	S	*	10/2010	Sweeney	D8/8

* cited by examiner

Primary Examiner — Sheryl Lane

(74) *Attorney, Agent, or Firm* — John Yun

(57) **CLAIM**

The ornamental design for a string trimmer, as shown and described.

DESCRIPTION

FIG. 1 is a perspective view of a string trimmer showing my new design.

FIG. 2 is a front view of the string trimmer according to FIG. 1.

FIG. 3 is a rear view of the string trimmer according to FIG. 1.

FIG. 4 is a left side view of the string trimmer according to FIG. 1.

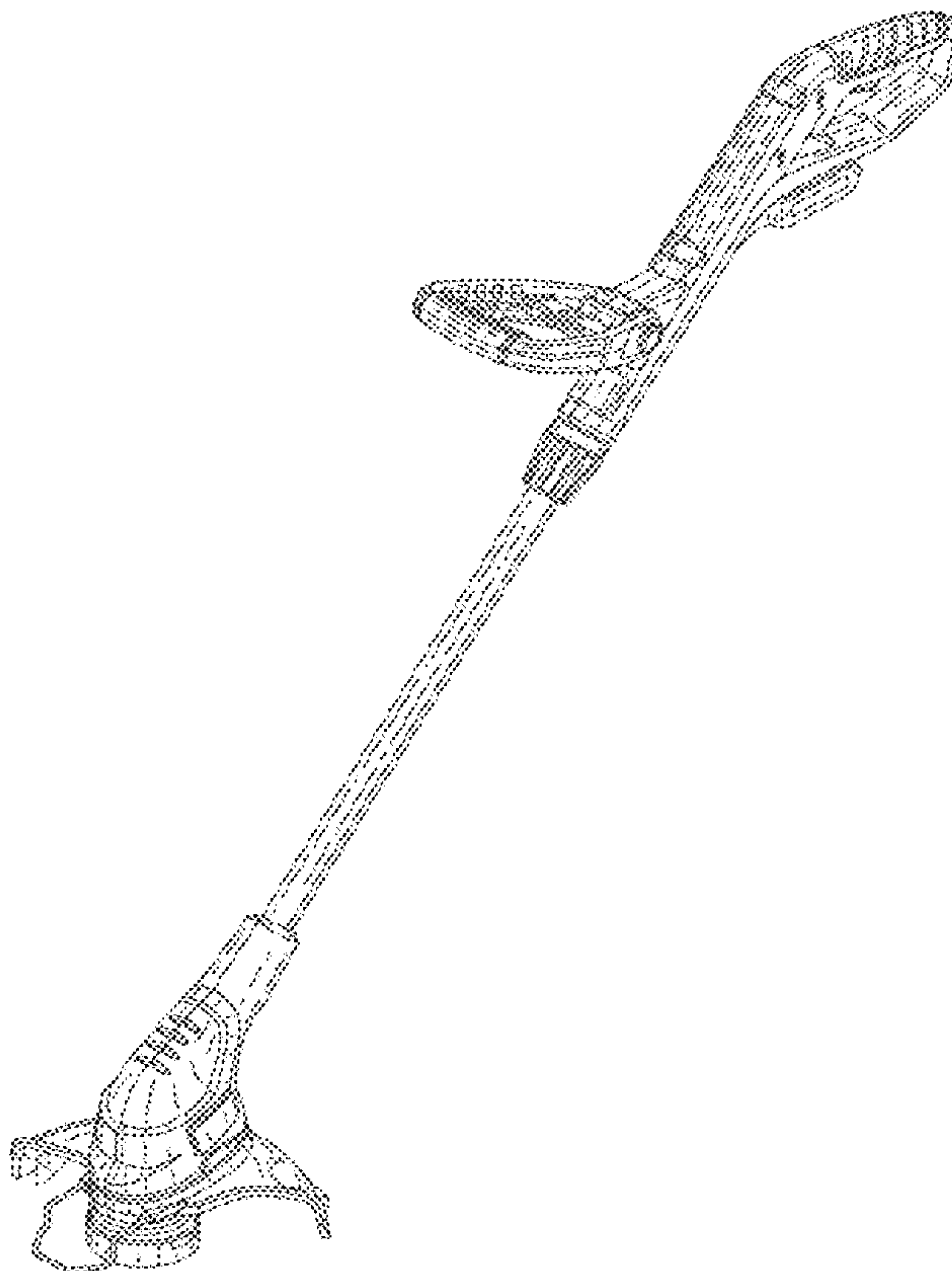
FIG. 5 is a right side view of the string trimmer according to FIG. 1.

FIG. 6 is a top view of the string trimmer according to FIG. 1; and,

FIG. 7 is a bottom view of the string trimmer according to FIG. 1.

In the above drawings, the broken lines and the areas within the broken lines form no part of the claimed design.

1 Claim, 5 Drawing Sheets



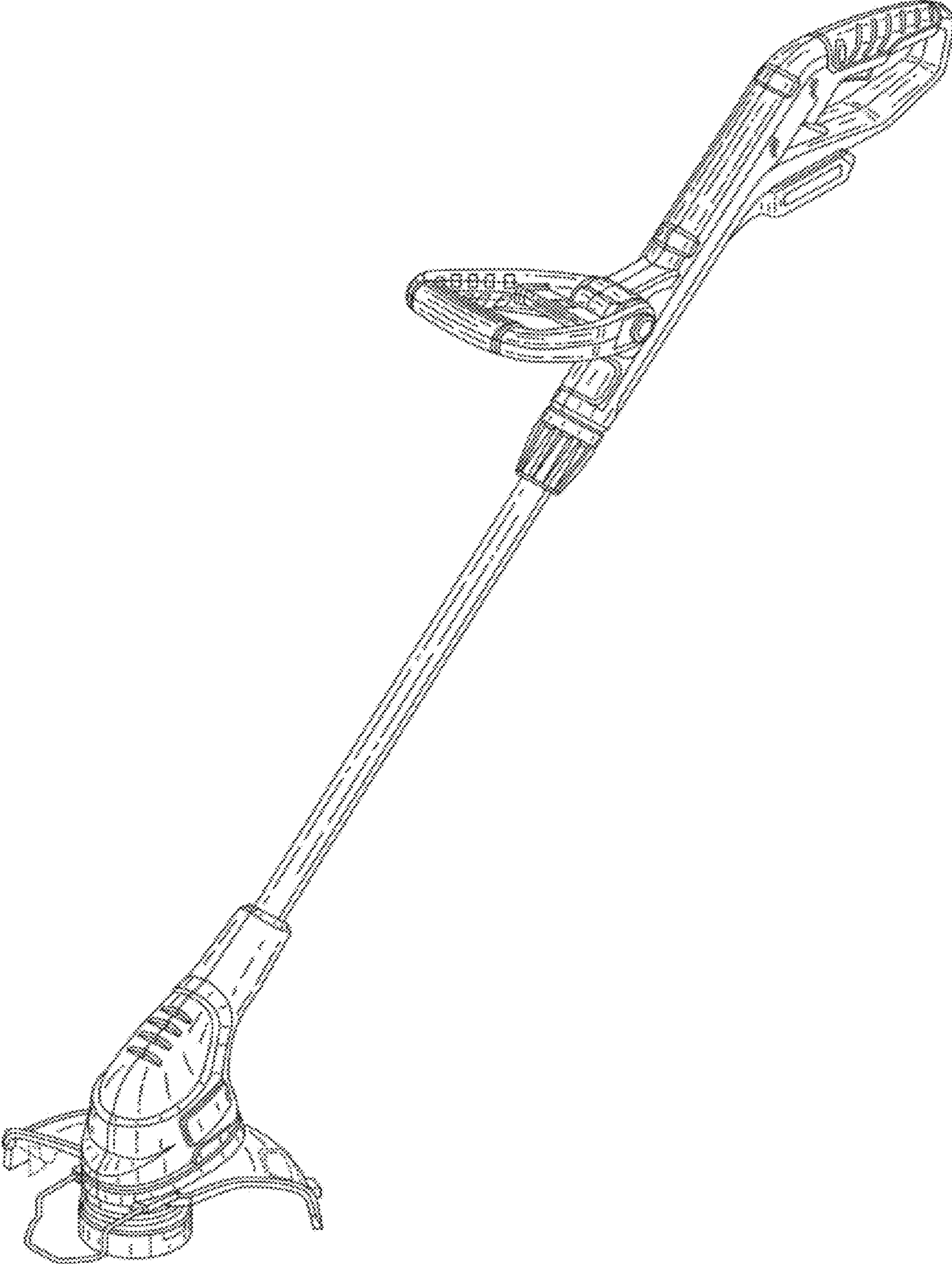


FIG. 1

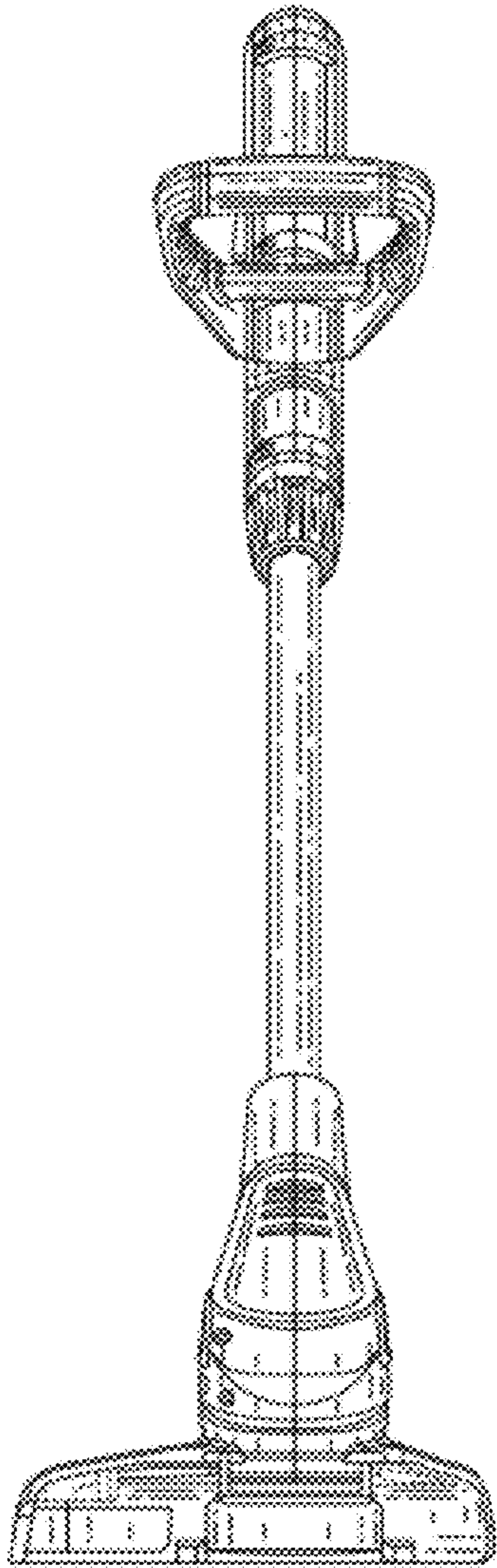


FIG. 2

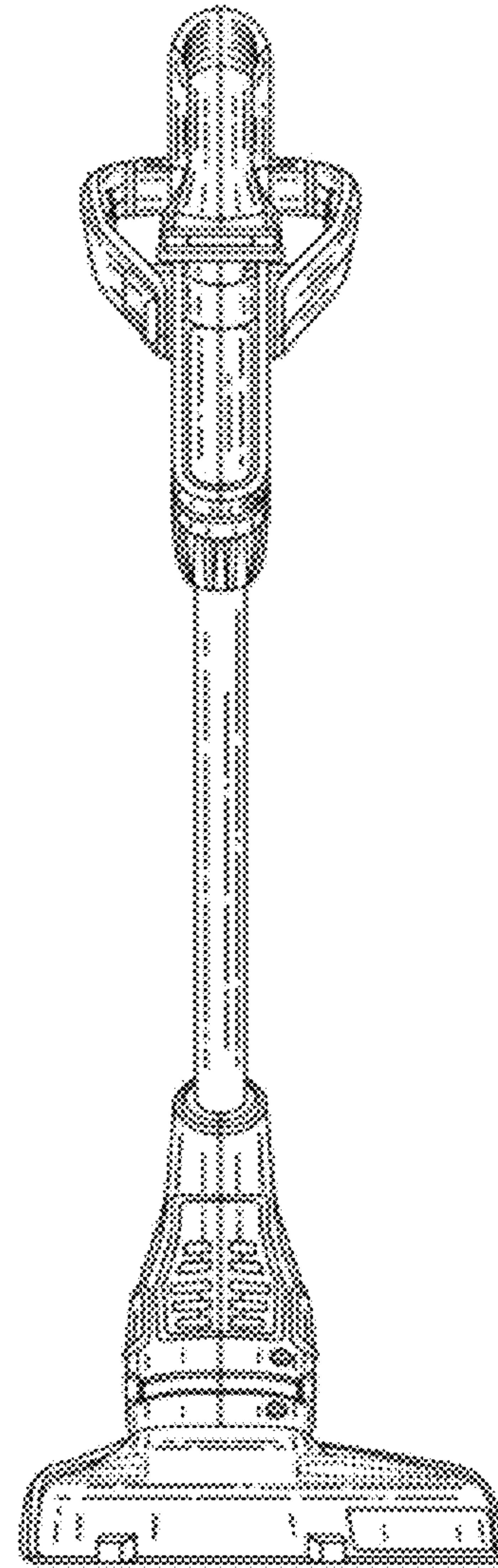


FIG. 3

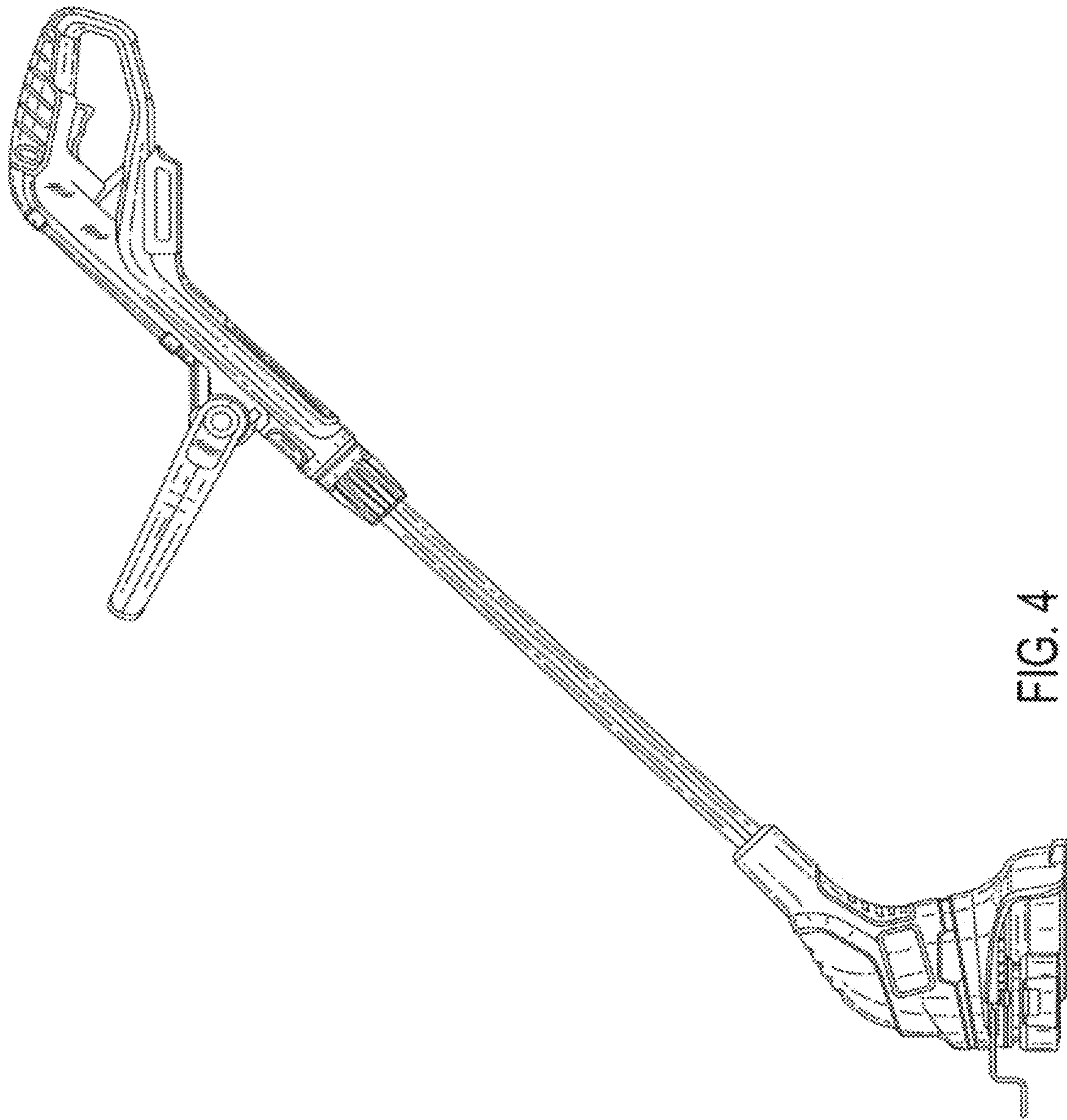


FIG. 4

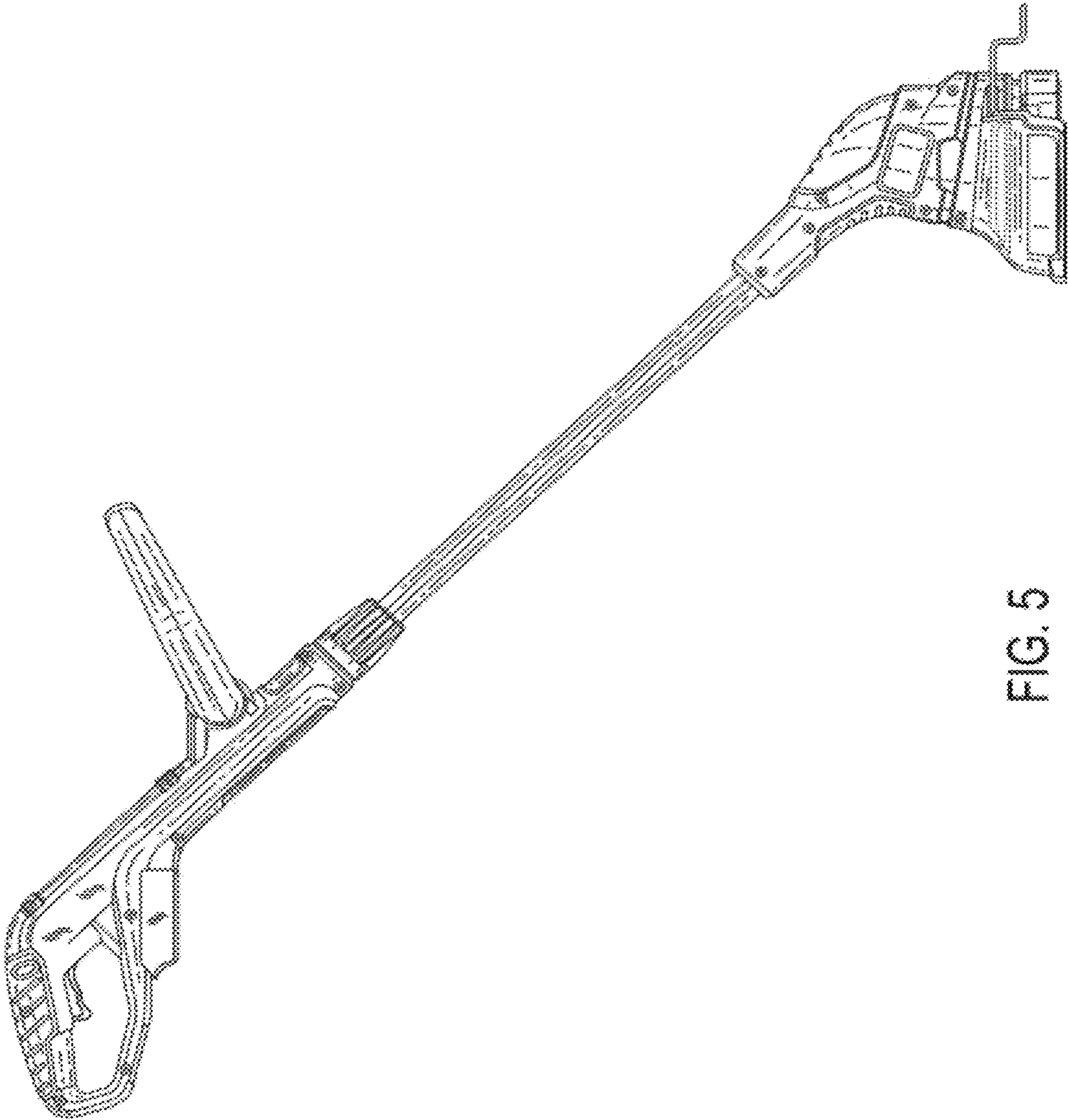


FIG. 5

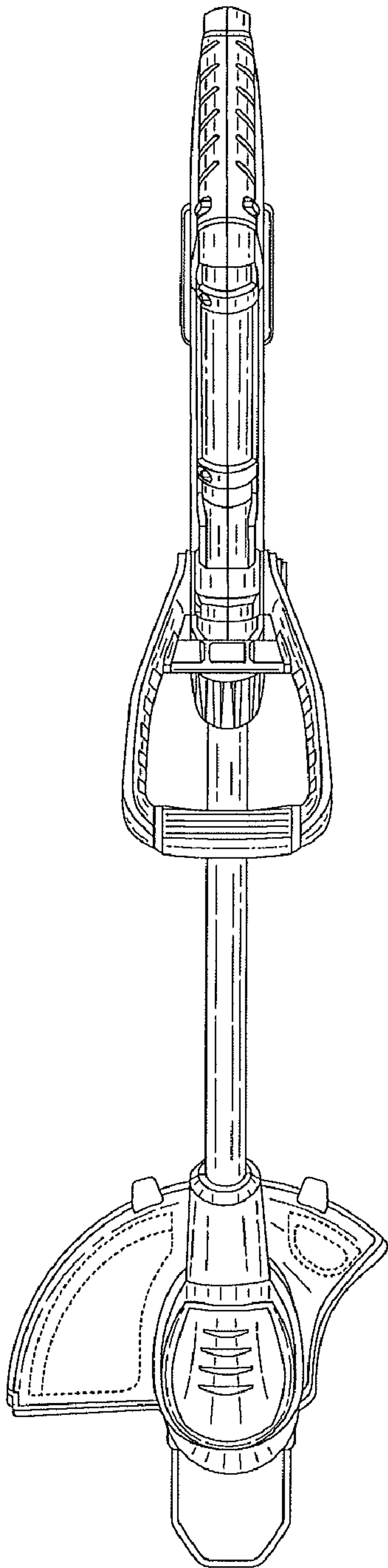


FIG. 6

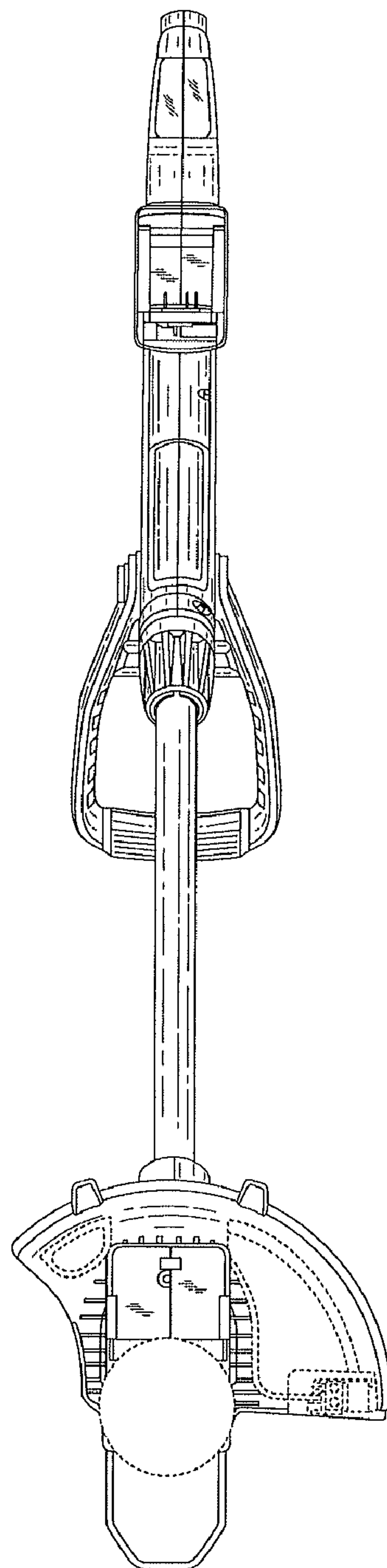


FIG. 7