



US00D656370S

(12) **United States Design Patent**
Tinius

(10) **Patent No.:** **US D656,370 S**
(45) **Date of Patent:** **** Mar. 27, 2012**

(54) **BRUSHCUTTER HANDLE**

(75) Inventor: **Michael Tinius**, Ulm (DE)

(73) Assignee: **Andreas Stihl AG & Co. KG**,
Waiblingen (DE)

(**) Term: **14 Years**

(21) Appl. No.: **29/377,767**

(22) Filed: **Oct. 26, 2010**

(30) **Foreign Application Priority Data**

Apr. 26, 2010 (EM) 001210785-0002

(51) **LOC (9) Cl.** **08-01**

(52) **U.S. Cl.** **D8/8**

(58) **Field of Classification Search** D8/8, 7,
D8/9; D15/17, 1; 30/276, 208–210, 347,
30/228, 382–383; 56/12.7, 233–234

See application file for complete search history.

(56) **References Cited**

U.S. PATENT DOCUMENTS

D487,216 S *	3/2004	Arvidsson et al.	D8/8
D552,948 S *	10/2007	Aglassinger	D8/8
D564,312 S *	3/2008	Palermo et al.	D8/8
D582,734 S *	12/2008	Murray et al.	D8/8
D582,735 S *	12/2008	Bochmann et al.	D8/8
D602,316 S *	10/2009	Cerretto	D8/8

* cited by examiner

Primary Examiner — Sheryl Lane

(74) *Attorney, Agent, or Firm* — McGuireWoods LLP

(57) **CLAIM**

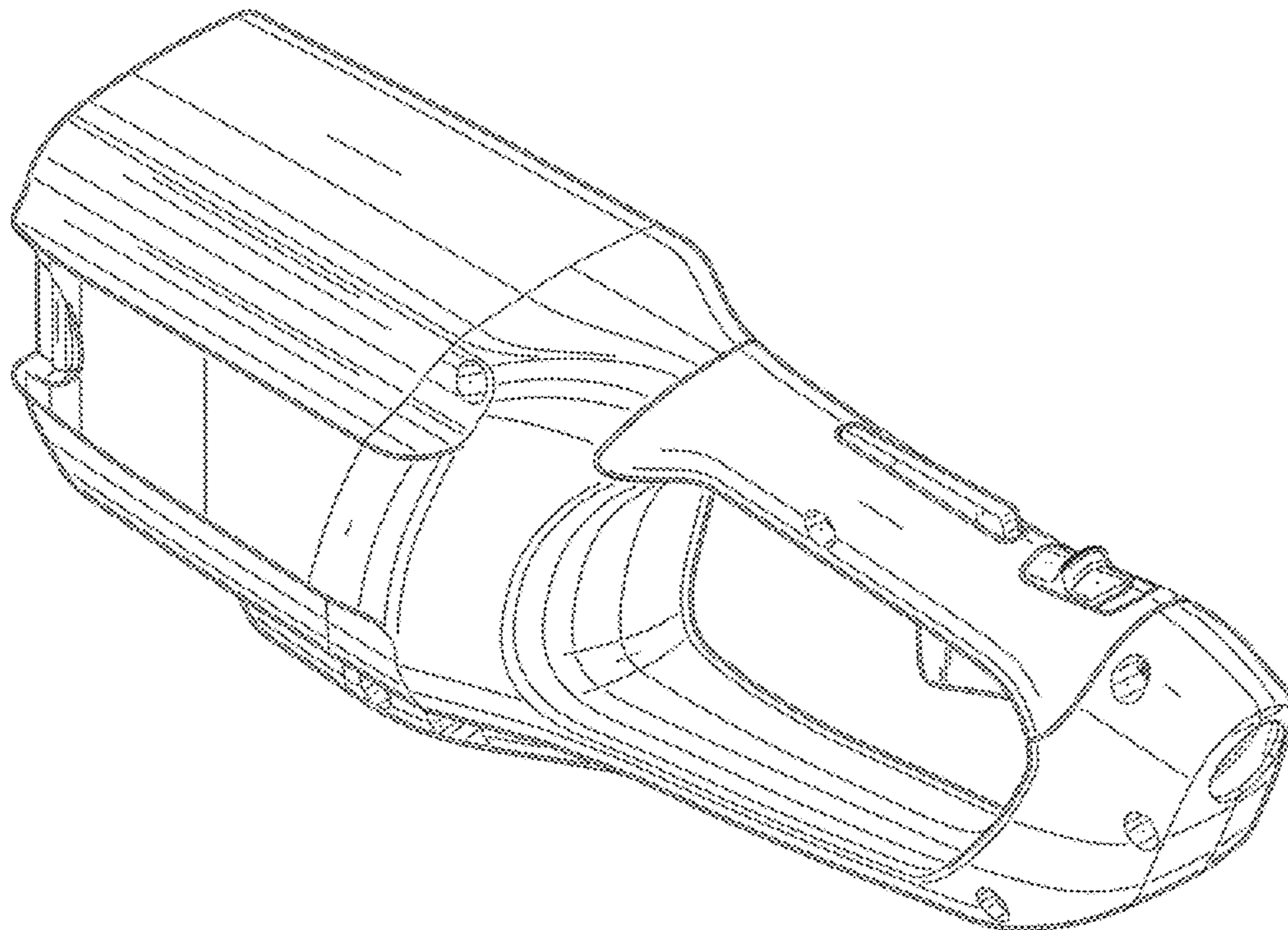
I claim the ornamental design for a brushcutter handle, as shown and described.

DESCRIPTION

FIG. 1 is a left perspective view of the brushcutter handle; FIG. 2 is a top view of the brushcutter handle shown in FIG. 1; FIG. 3 is a bottom view of the brushcutter handle shown in FIG. 1; FIG. 4 is a right side view of the brushcutter handle shown in FIG. 1; FIG. 5 is a left side view of the brushcutter handle shown, in FIG. 1; FIG. 6 is a front view of the brushcutter handle shown in FIG. 1; and, FIG. 7 is a rear view of the brushcutter handle shown in FIG. 1.

The broken line showing of the brushcutter handle is included for the purpose of illustrating portions of the article and form no part of the claimed design. Any surface of the design not shown, including interior surfaces, also forms no part of the claimed design.

1 Claim, 7 Drawing Sheets



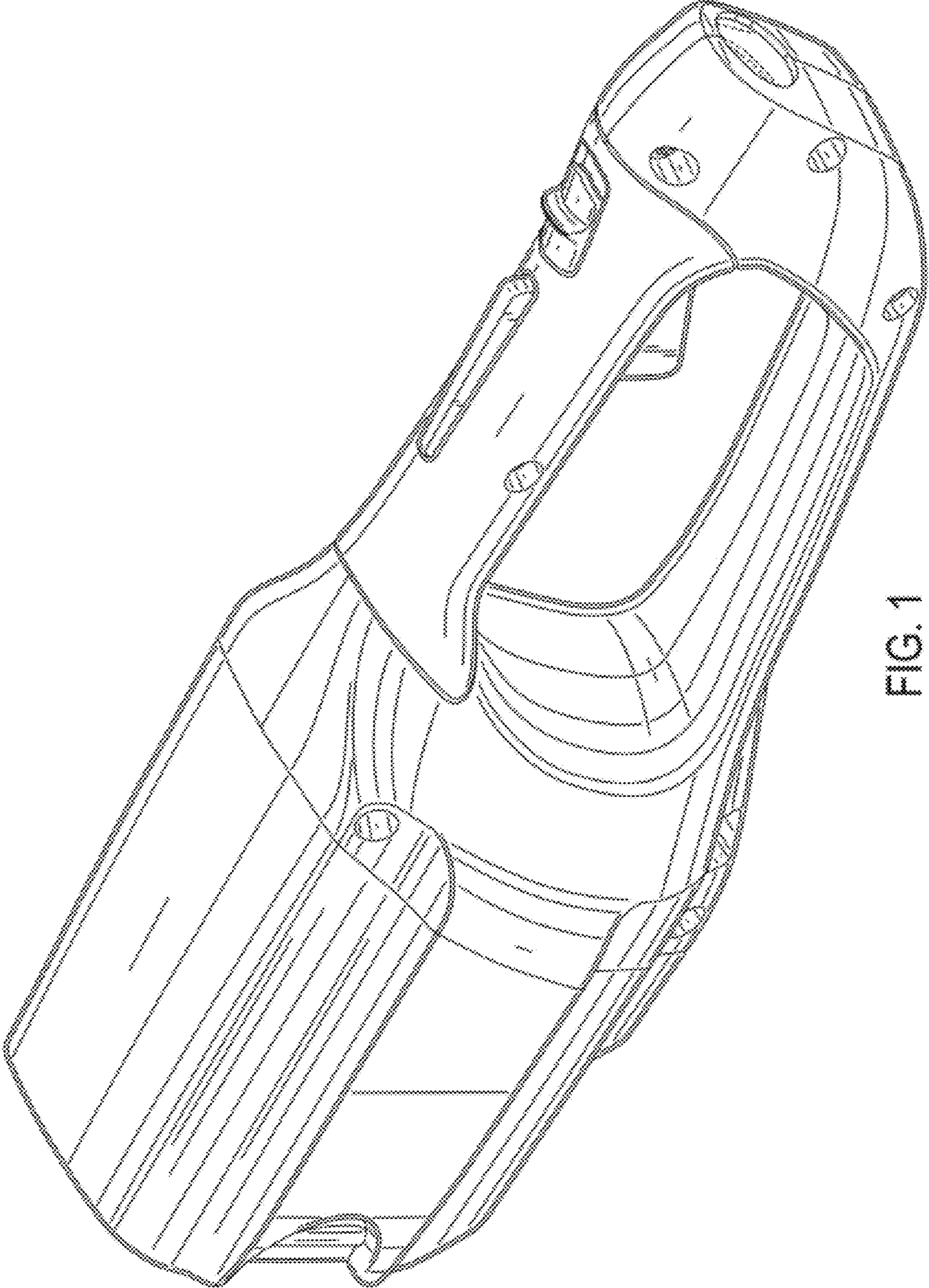


FIG. 1

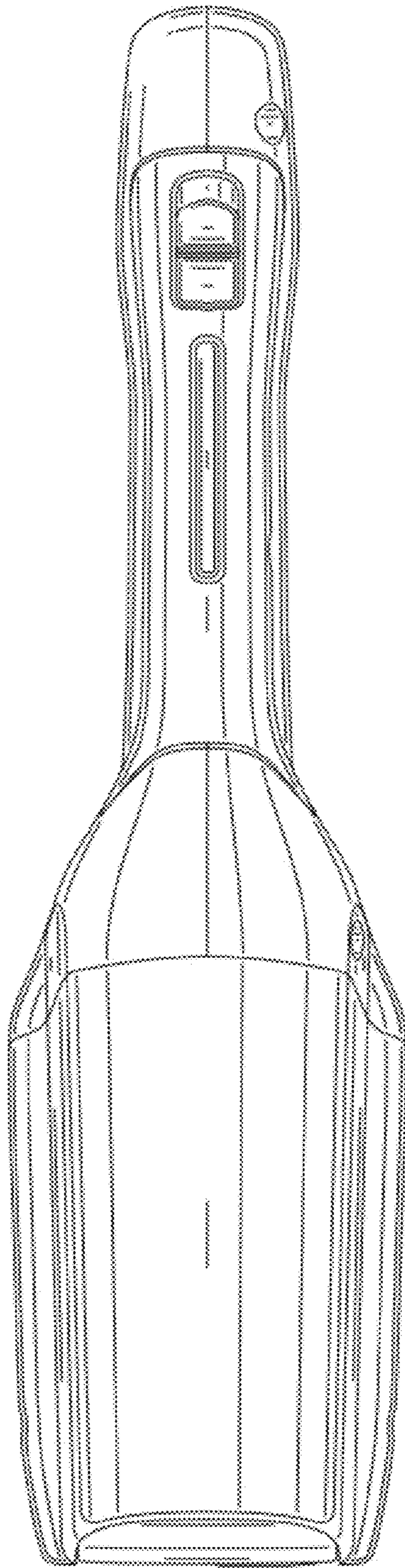


FIG. 2

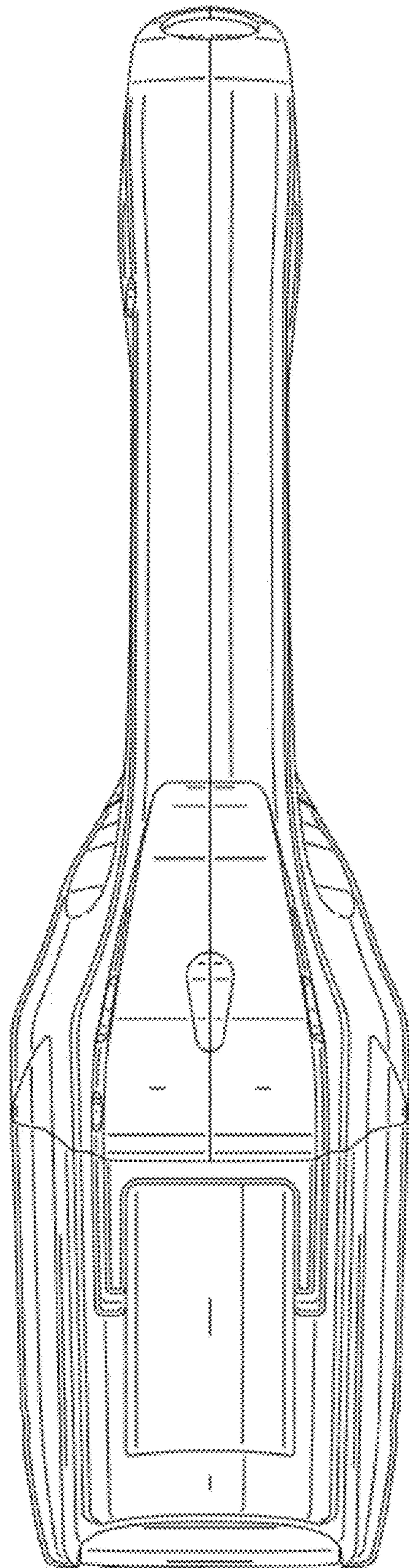


FIG. 3

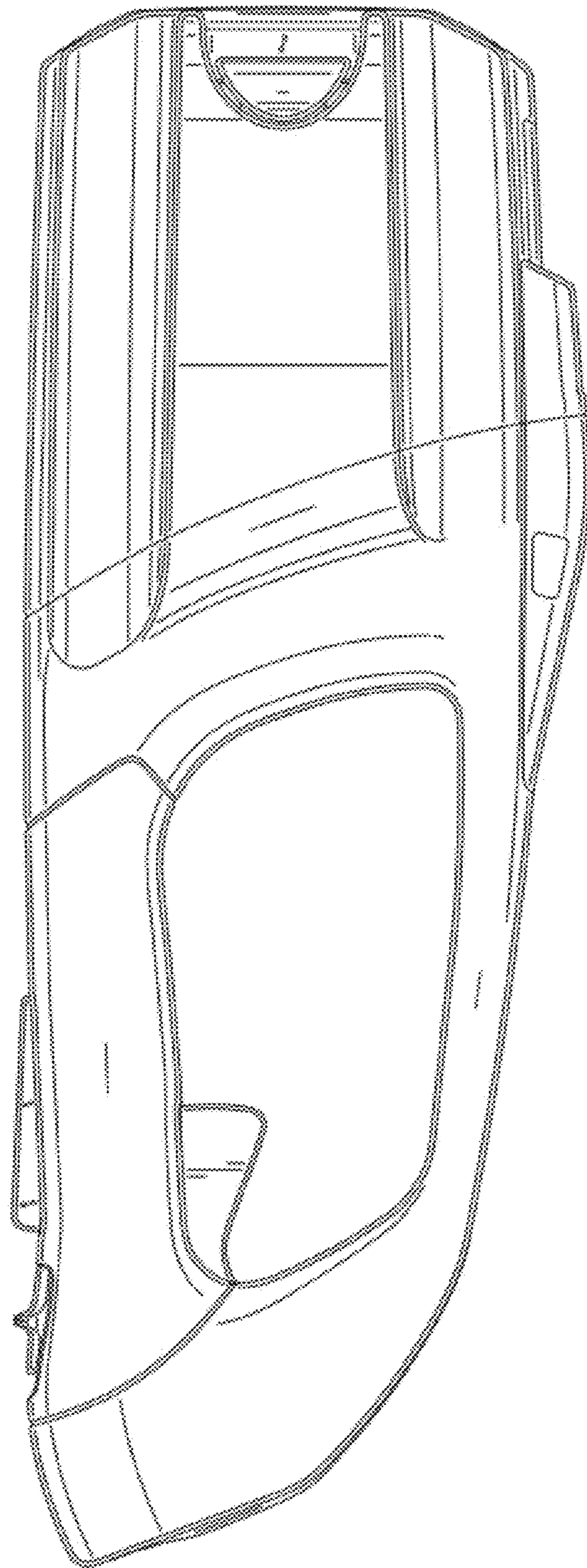


FIG. 4

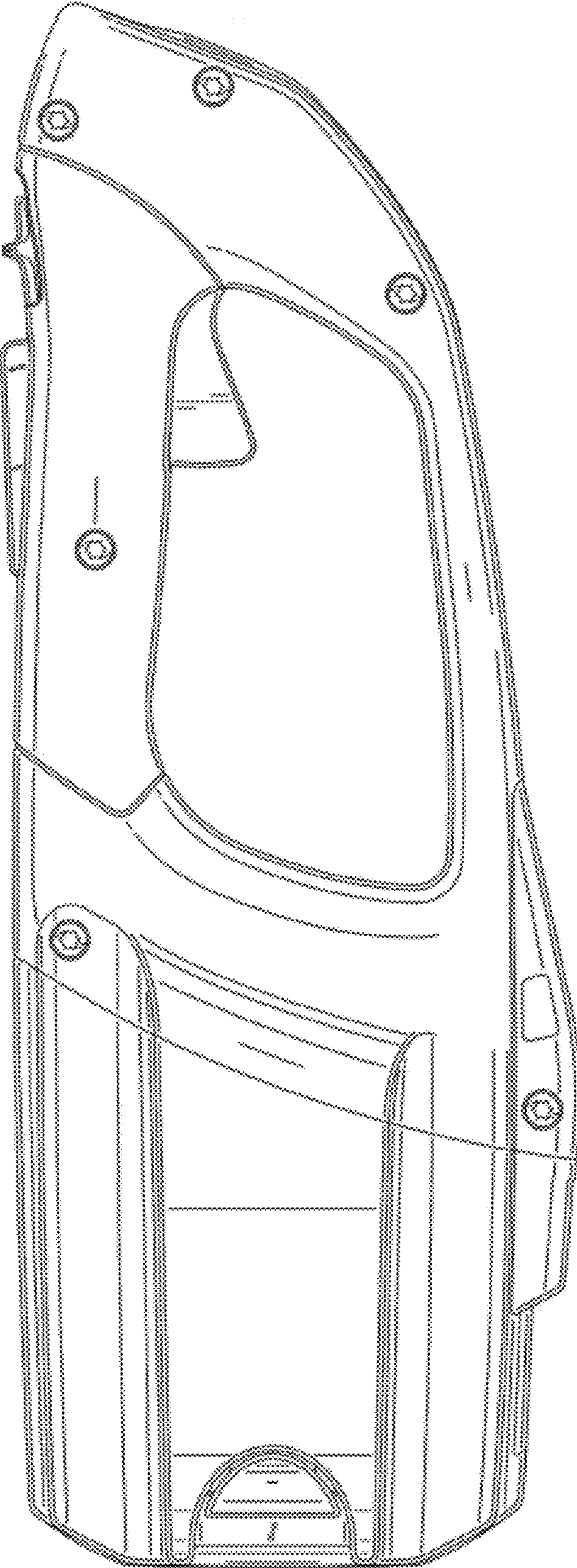


FIG. 5

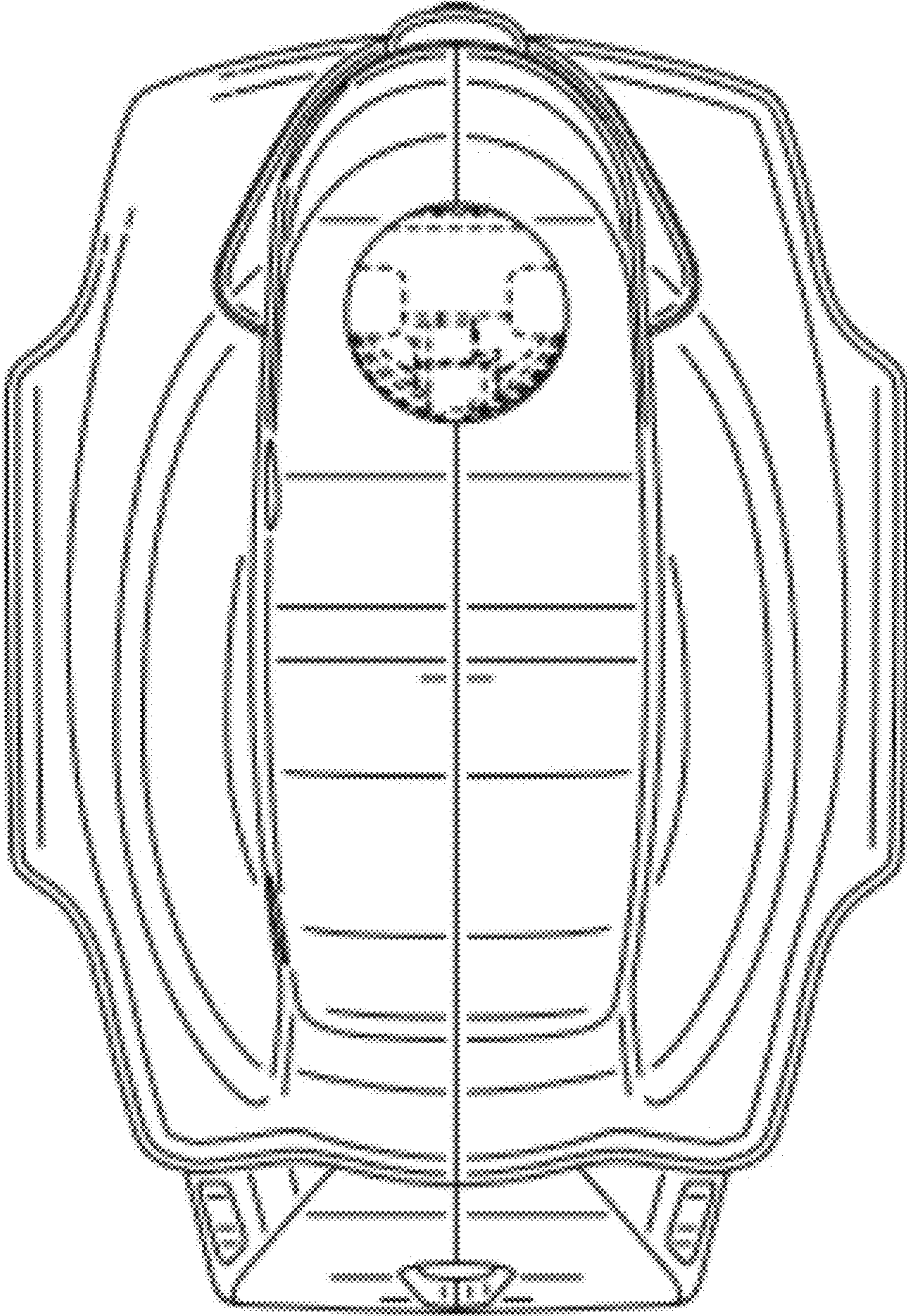


FIG. 6

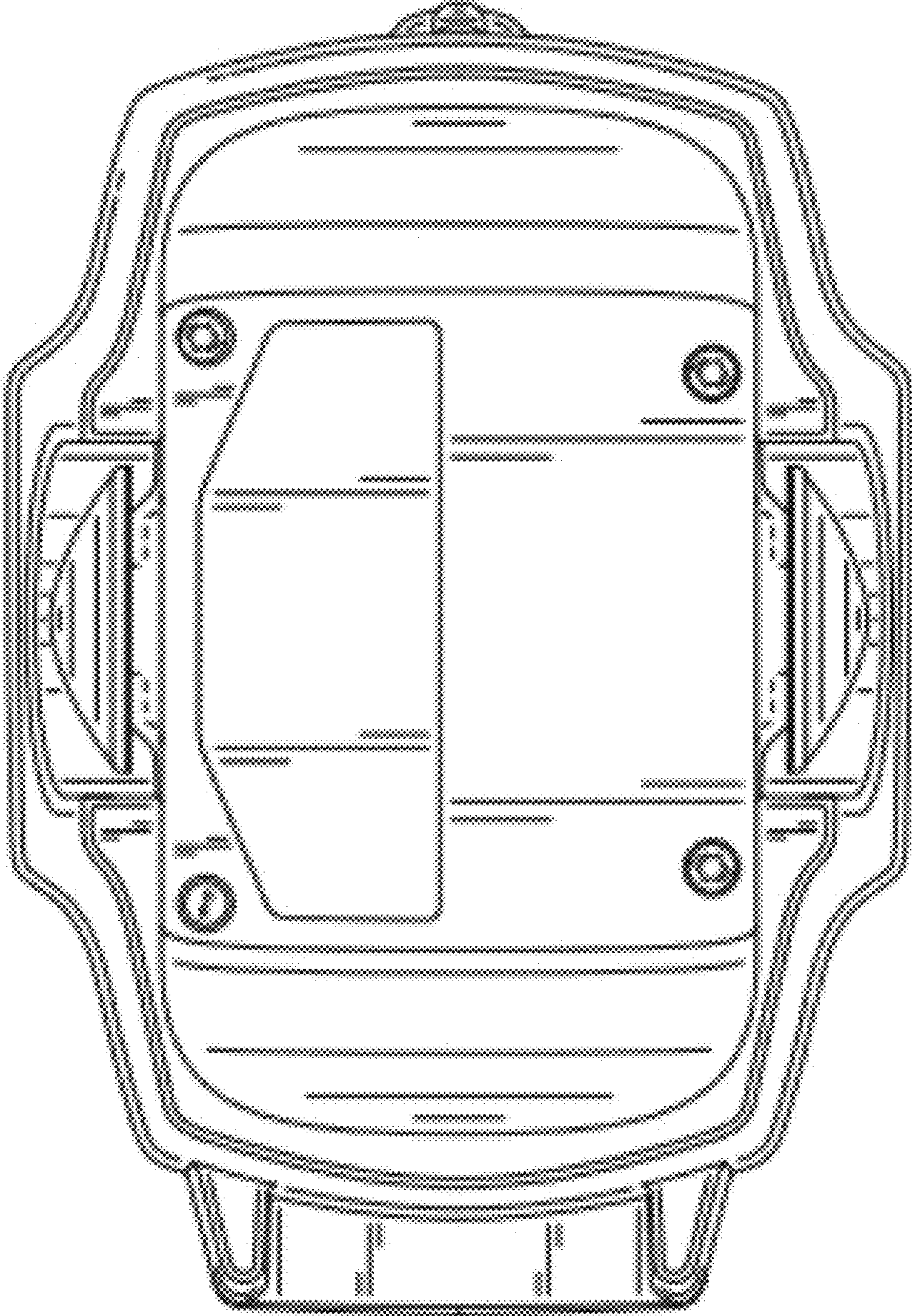


FIG. 7