



US00D656369S

(12) **United States Design Patent**  
**Everson**

(10) **Patent No.:** **US D656,369 S**  
(45) **Date of Patent:** **\*\* Mar. 27, 2012**

- (54) **CONTAINER HAVING PRE-CURVED LID**
- (75) Inventor: **Keith S. Everson**, Hartford, WI (US)
- (73) Assignee: **Sussex IM, Inc.**, Sussex, WI (US)
- (\*\*) Term: **14 Years**
- (21) Appl. No.: **29/406,115**
- (22) Filed: **Nov. 10, 2011**

**Related U.S. Application Data**

- (63) Continuation of application No. 13/239,049, filed on Sep. 21, 2011, and a continuation-in-part of application No. 12/963,469, filed on Dec. 8, 2010, and a continuation-in-part of application No. 12/822,688, filed on Jun. 24, 2010.
- (51) **LOC (9) Cl.** ..... **07-07**
- (52) **U.S. Cl.** ..... **D7/629**
- (58) **Field of Classification Search** ..... D7/602, D7/601, 629, 630, 538-542, 612-615; D9/420, D9/424-432; 229/406, 407, 906; 220/780-802, 220/675, 574-575, 236, 324, 326, 42.22-4.25, 220/256.1, 836, 833, 835, 839  
See application file for complete search history.

(56) **References Cited**

**U.S. PATENT DOCUMENTS**

3,900,106	A	8/1975	Cantales	
D241,820	S *	10/1976	Jewell	D9/423
D278,412	S *	4/1985	Yeung	D9/420
4,951,866	A *	8/1990	Rusnak	229/120.07
5,012,928	A *	5/1991	Proffitt et al.	206/508
5,204,130	A *	4/1993	McDevitt et al.	426/115
5,300,748	A	4/1994	Colombo	
5,474,199	A	12/1995	Julius et al.	
5,906,292	A	5/1999	Rider, Jr.	
5,920,916	A	7/1999	Norton	
5,938,068	A	8/1999	Atkins et al.	
5,960,987	A	10/1999	Solland et al.	
6,042,000	A	3/2000	Kawamoto	

6,102,231	A	8/2000	Rider, Jr. et al.
6,164,488	A	12/2000	Solland et al.
6,176,420	B1	1/2001	Sarson et al.
D457,428	S	5/2002	Fowler et al.
6,409,034	B2	6/2002	Schorner
6,554,147	B1	4/2003	Maida, Jr. et al.
6,592,504	B2	7/2003	Sarson et al.
6,609,623	B2	8/2003	Chou

(Continued)

**FOREIGN PATENT DOCUMENTS**

WO WO 89/03351 4/1989

(Continued)

**OTHER PUBLICATIONS**

U.S. Appl. No. 29/406,121, filed Nov. 10, 2011, Everson.

(Continued)

*Primary Examiner* — Terry Wallace

(74) *Attorney, Agent, or Firm* — Reinhart Boerner Van Deuren P.C.

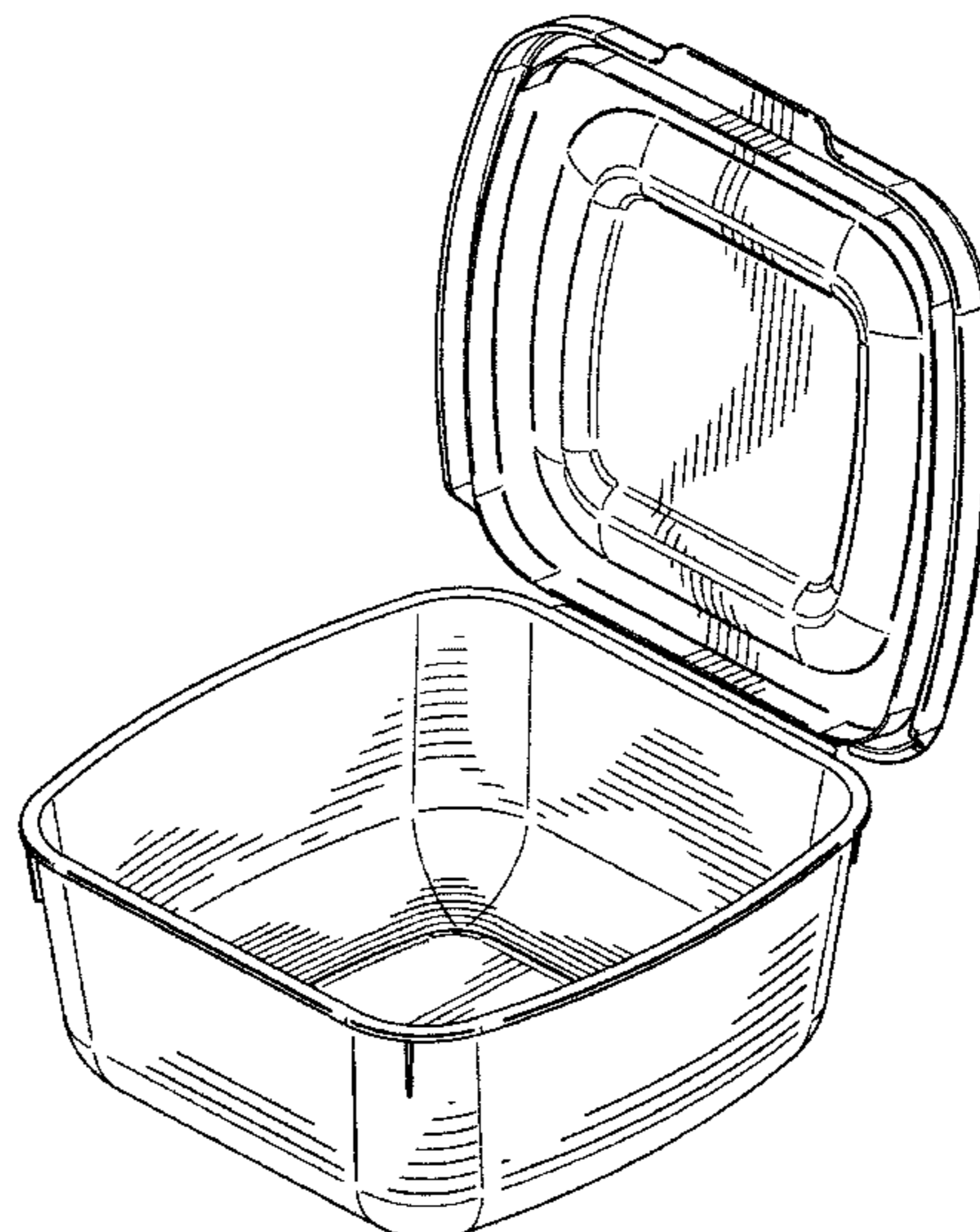
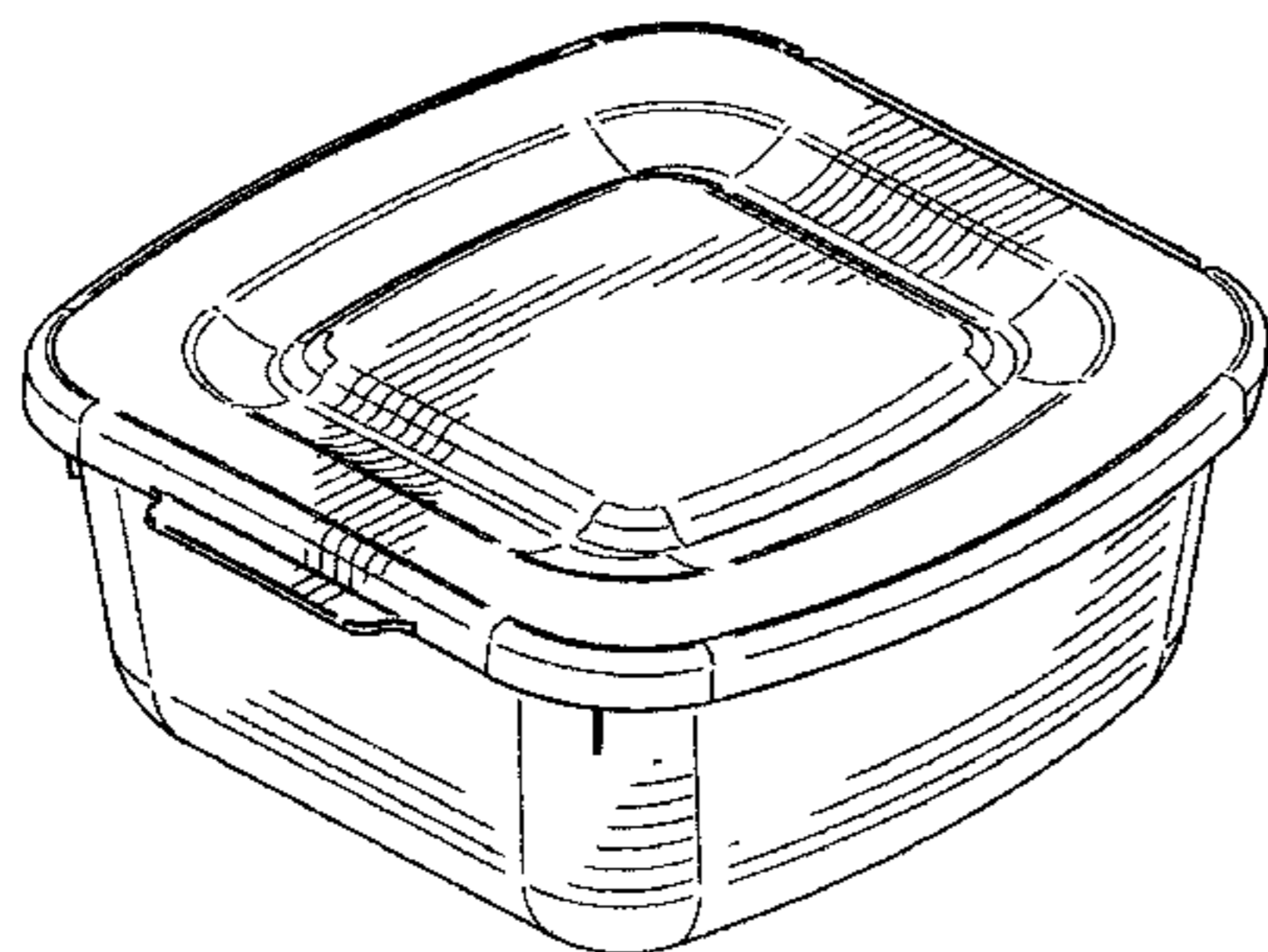
(57) **CLAIM**

I claim the ornamental design for the container having pre-curved lid, as shown and described.

**DESCRIPTION**

FIG. 1 is a top perspective view of the container having pre-curved lid;  
 FIG. 2 is a top perspective view thereof in an open configuration;  
 FIG. 3 is a bottom perspective view thereof;  
 FIG. 4 is a top view thereof;  
 FIG. 5 is a bottom view thereof;  
 FIG. 6 is a side view thereof;  
 FIG. 7 is a side view thereof showing the side opposite that of FIG. 6;  
 FIG. 8 is a front view thereof; and,  
 FIG. 9 is a back view thereof.

**1 Claim, 6 Drawing Sheets**



# US D656,369 S

Page 2

## U.S. PATENT DOCUMENTS

D489,254 S \* 5/2004 Kocis et al. .... D9/425  
6,758,390 B2 7/2004 Sarson et al.  
D495,209 S 8/2004 Tranfaglia et al.  
6,955,289 B2 10/2005 Green  
6,962,263 B2 11/2005 Cadiente et al.  
6,981,607 B2 1/2006 Lown et al.  
7,104,416 B2 9/2006 Gasco et al.  
7,246,714 B2 \* 7/2007 Garg et al. .... 220/4.23  
D551,515 S \* 9/2007 Ablo et al. .... D7/629  
7,284,673 B2 \* 10/2007 Habeger et al. .... 220/4.23  
D562,128 S \* 2/2008 van de Velde ..... D9/420  
7,398,892 B2 7/2008 Bouie  
7,398,893 B2 7/2008 Bouie  
D577,579 S \* 9/2008 Lymn et al. .... D9/426  
7,419,067 B2 9/2008 Bouie et al.  
D585,735 S \* 2/2009 Vovan et al. .... D9/426  
D587,993 S \* 3/2009 Vovan ..... D9/416  
D591,148 S \* 4/2009 Parikh et al. .... D9/425

7,597,206 B2 \* 10/2009 Atkins et al. .... 220/4.23  
2004/0134910 A1 7/2004 Colombo  
2004/0211823 A1 10/2004 Sarson et al.  
2007/0012710 A1 1/2007 Vovan  
2007/0045317 A1 3/2007 Rosender et al.  
2009/0134180 A1 \* 5/2009 Kidd et al. .... 220/836  
2009/0223969 A1 9/2009 Bouie  
2011/0315701 A1 12/2011 Everson  
2011/0315704 A1 12/2011 Everson  
2012/0012602 A1 1/2012 Everson

## FOREIGN PATENT DOCUMENTS

WO WO 91/07329 5/1991

## OTHER PUBLICATIONS

U.S. Appl. No. 29/406,126, filed Nov. 10, 2011, Everson.  
U.S. Appl. No. 29/406,129, filed Nov. 10, 2011, Everson.

\* cited by examiner

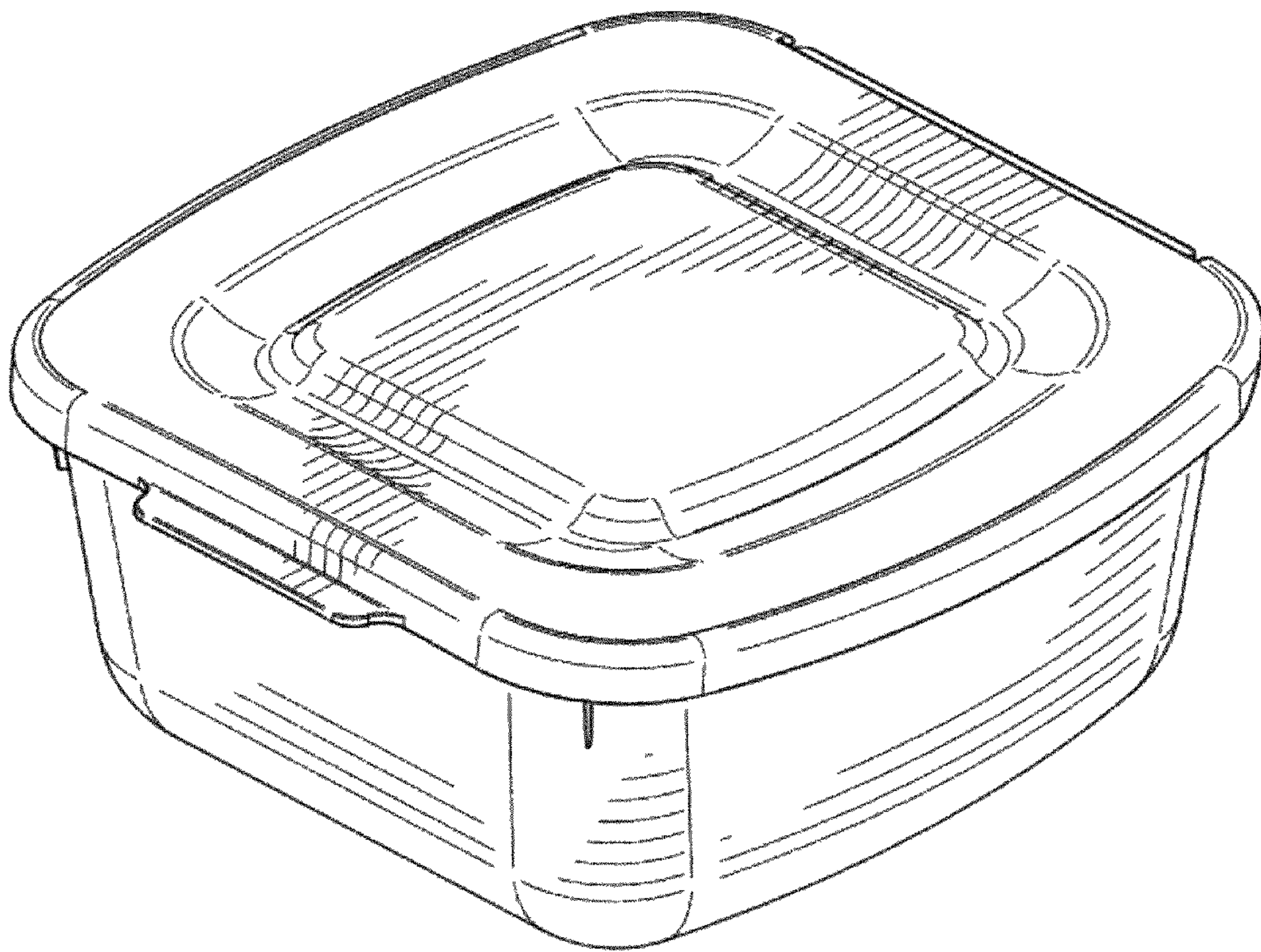


FIG. 1



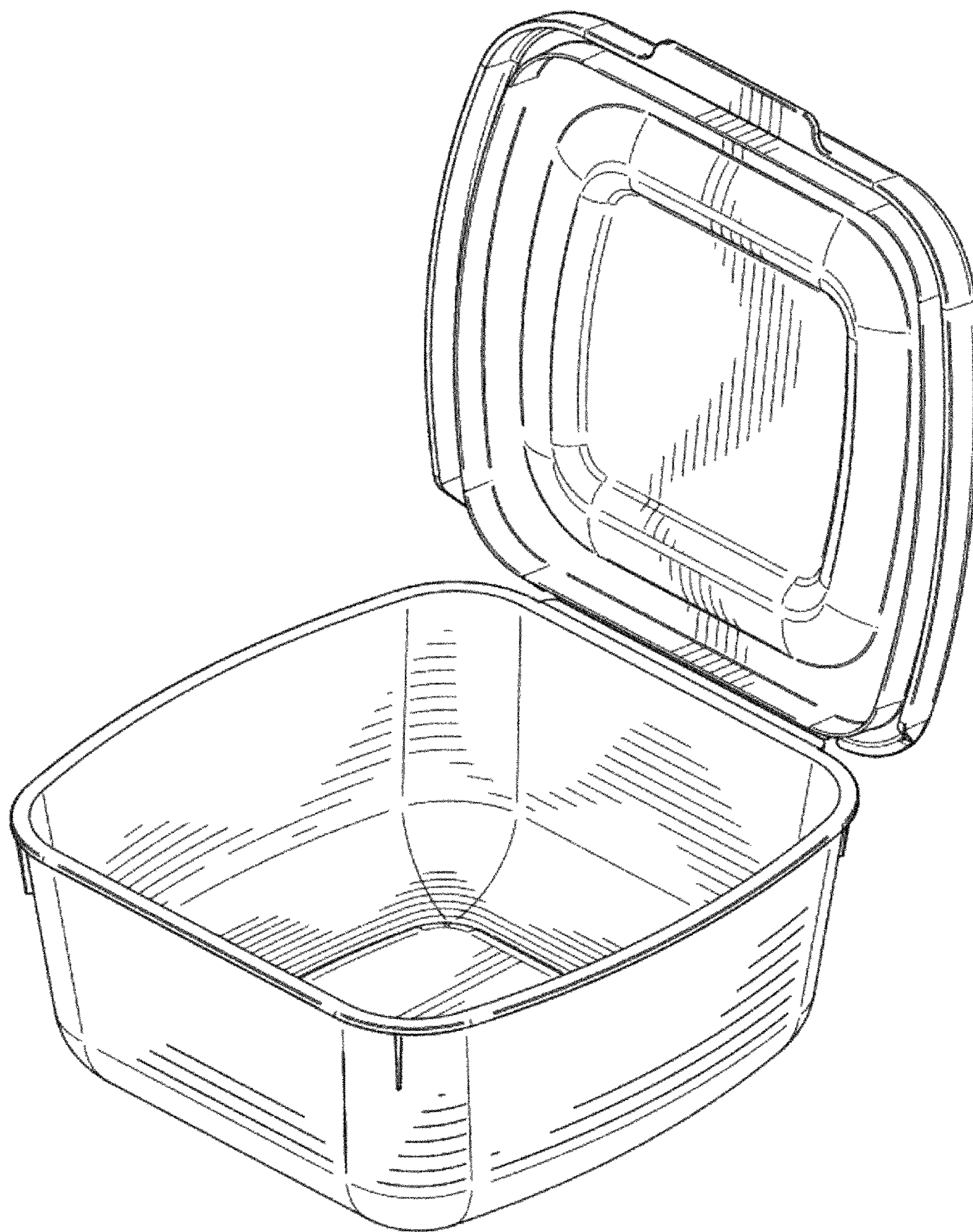


FIG. 2

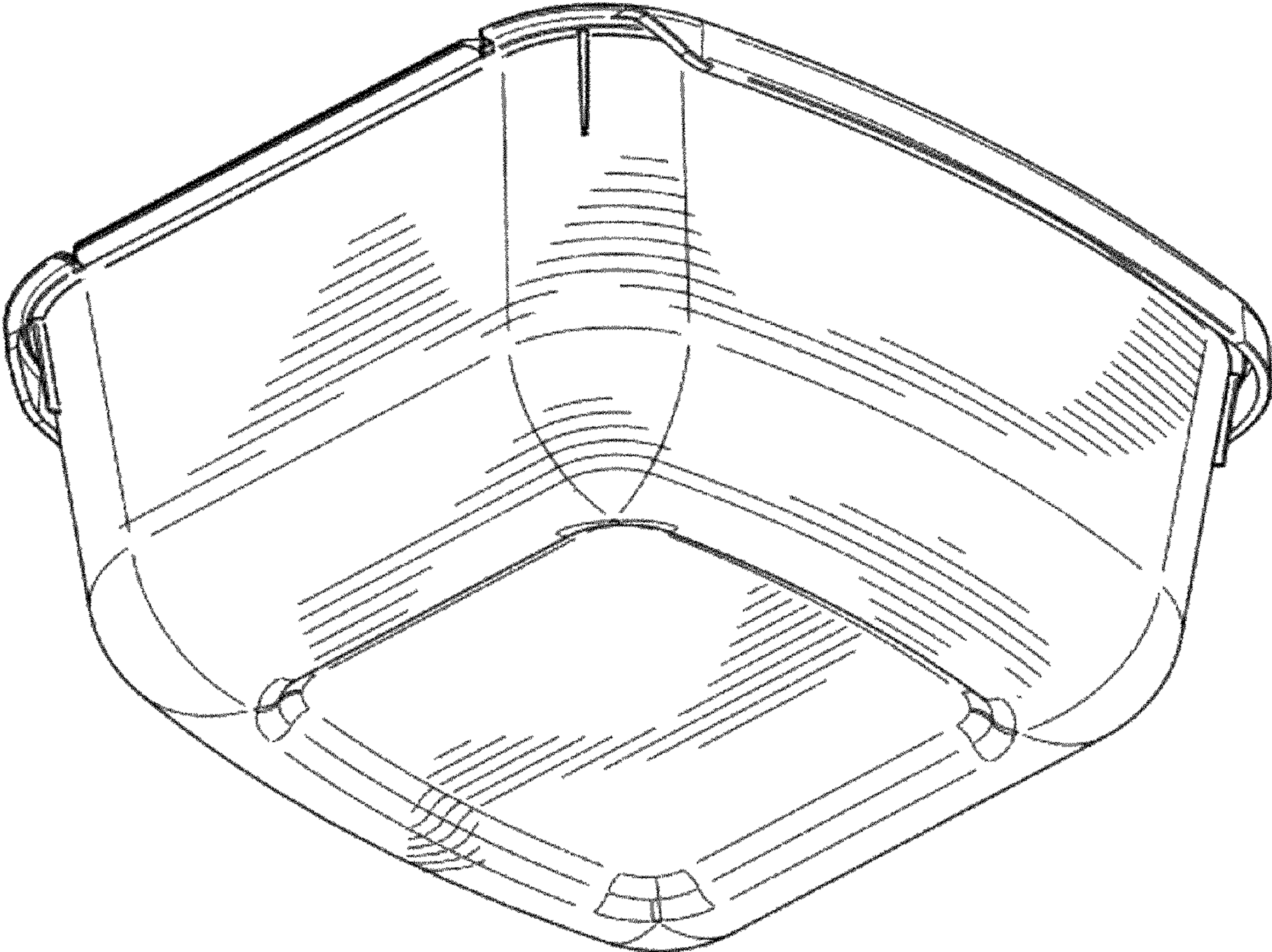


FIG. 3



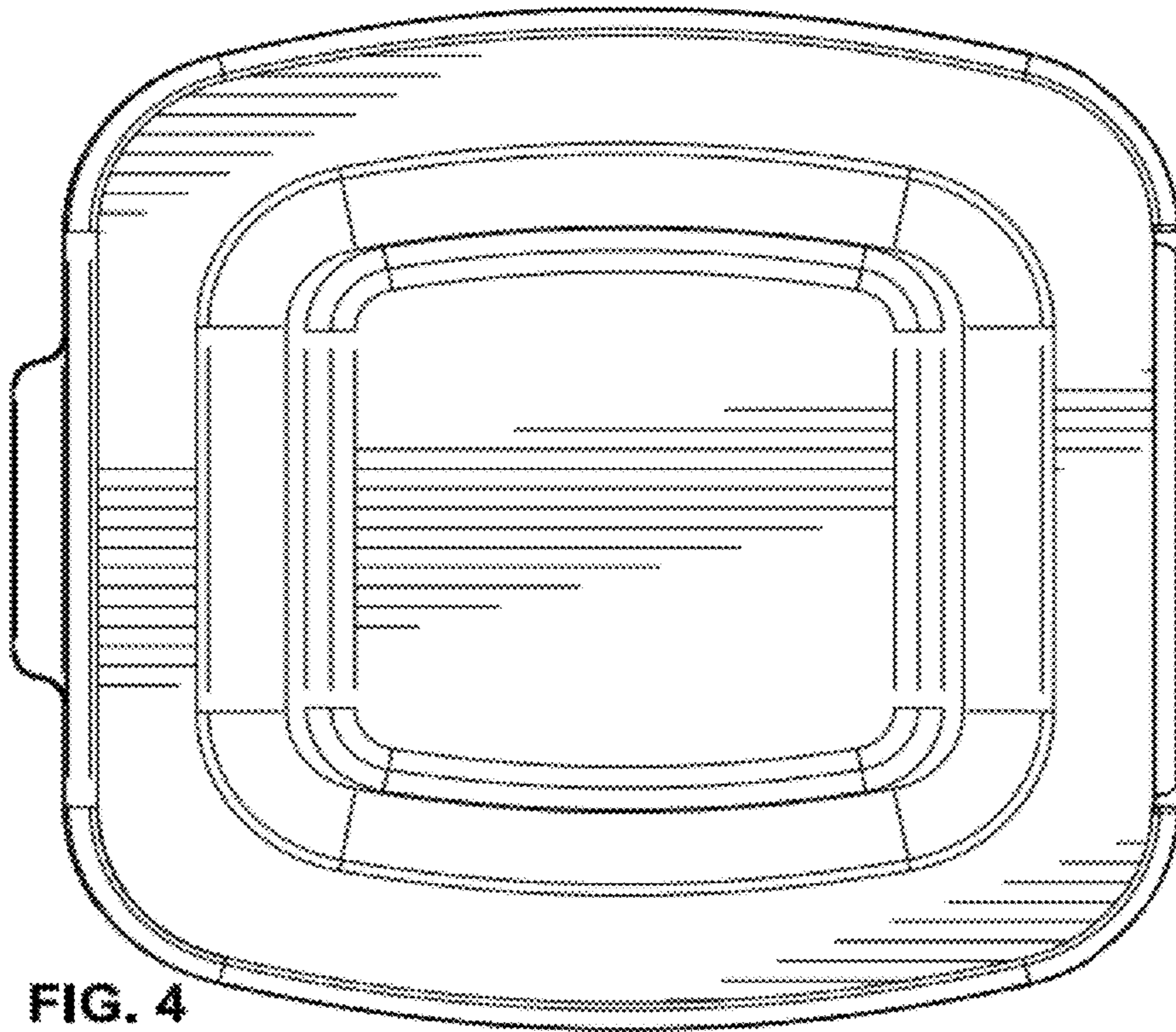


FIG. 4

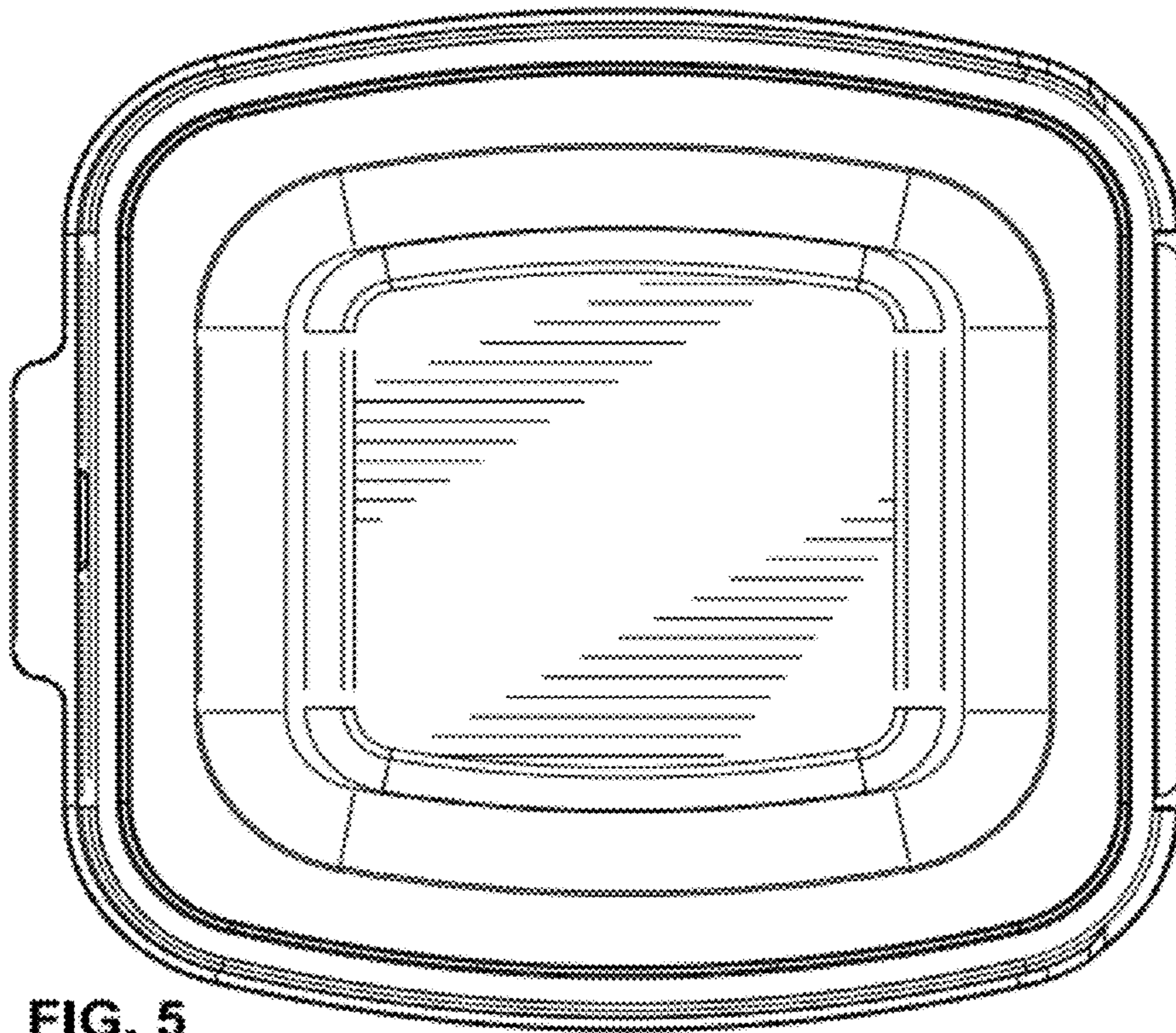


FIG. 5

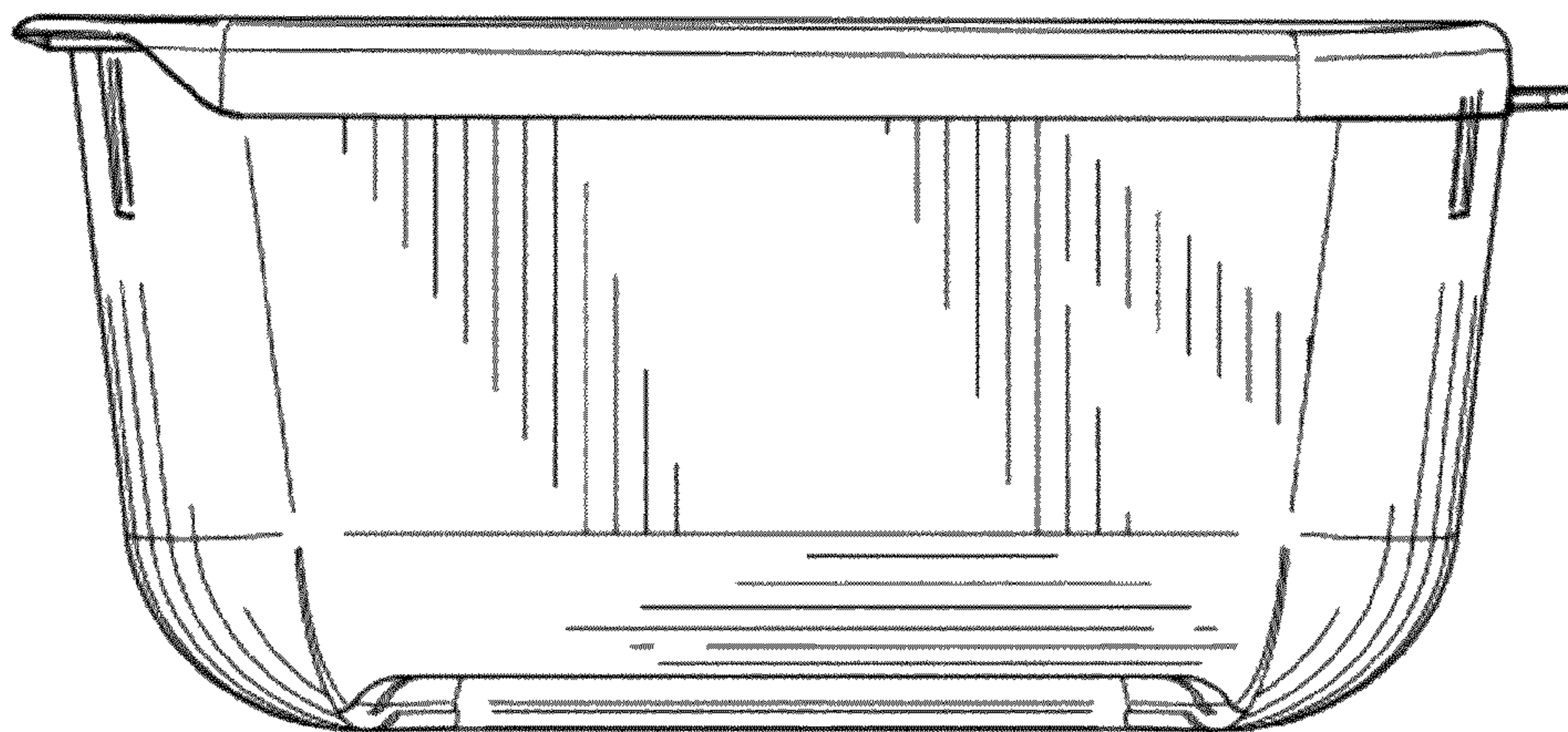


FIG. 6

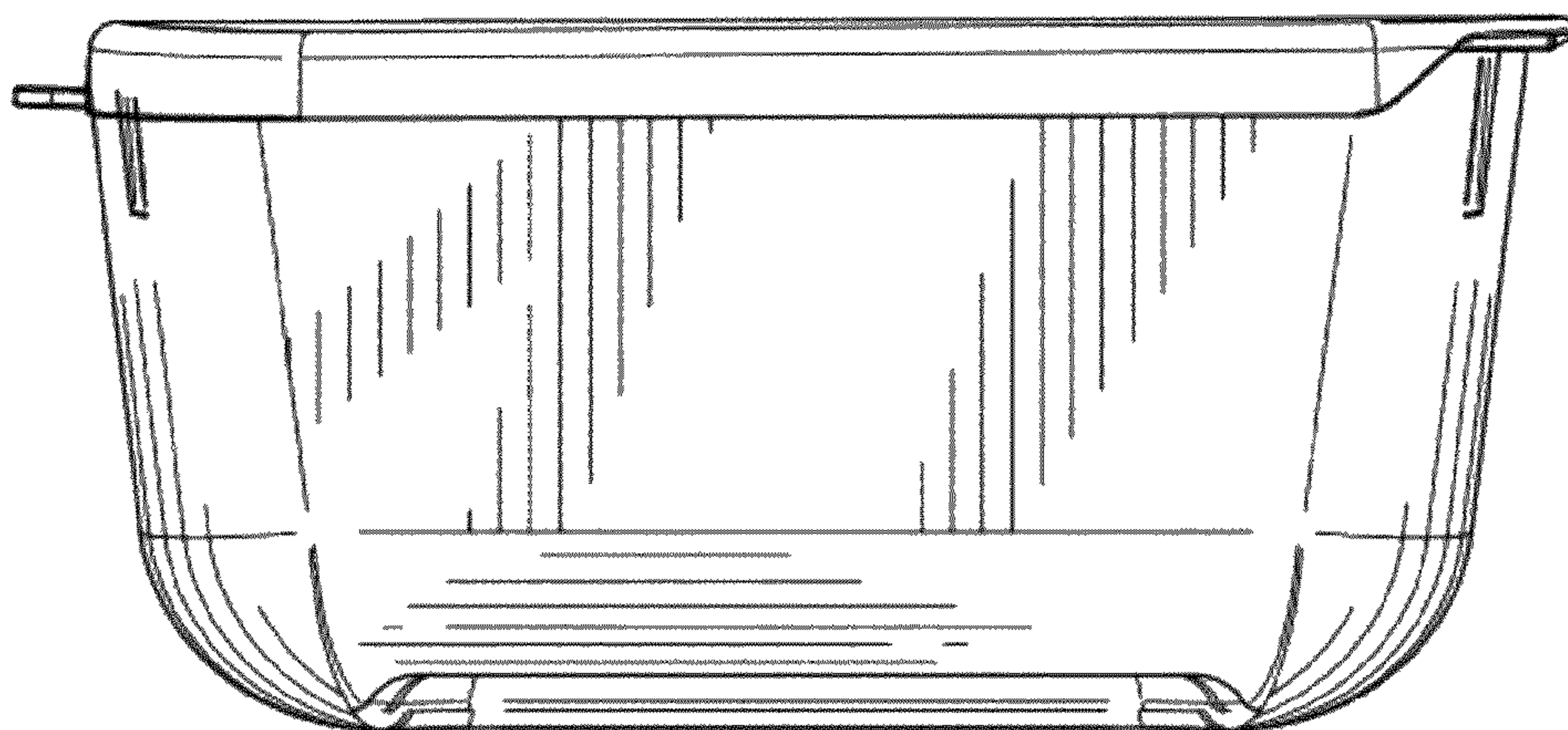


FIG. 7



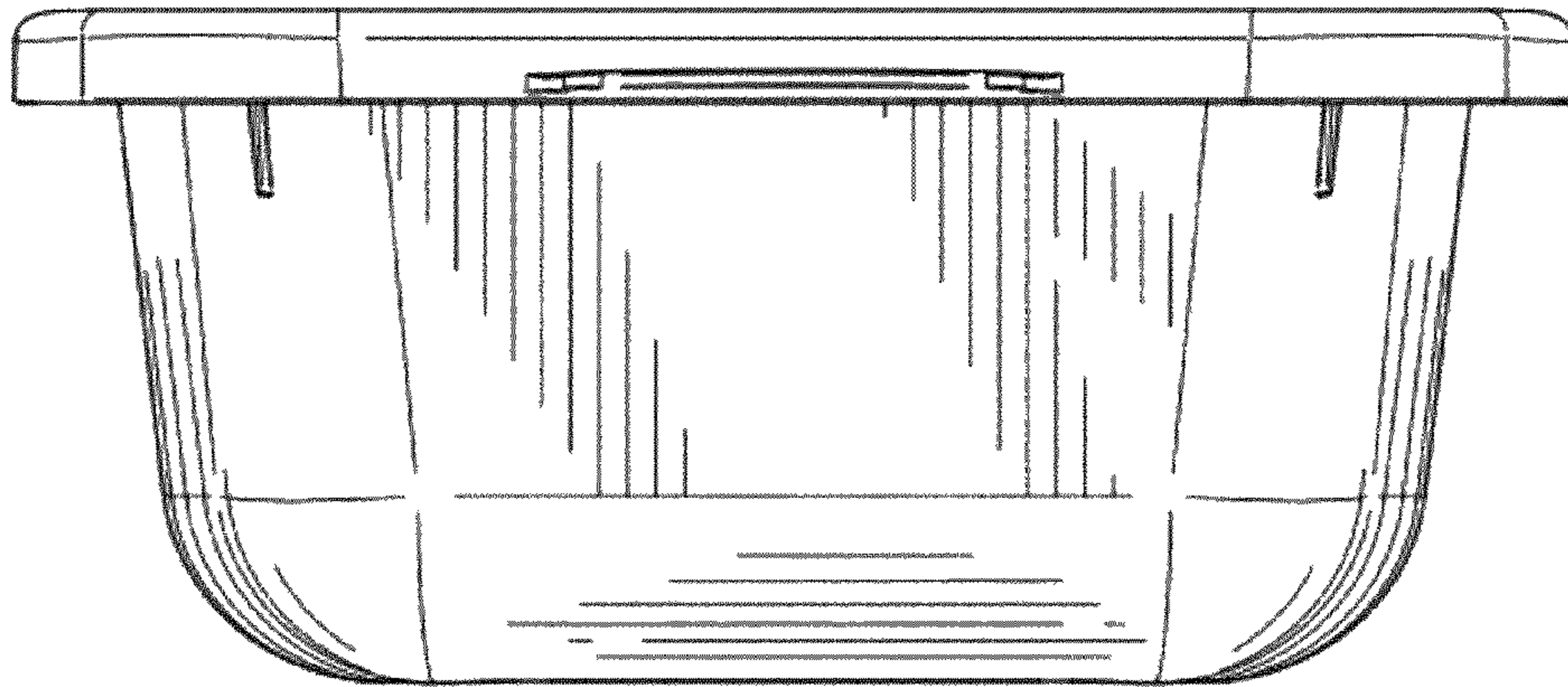


FIG. 8

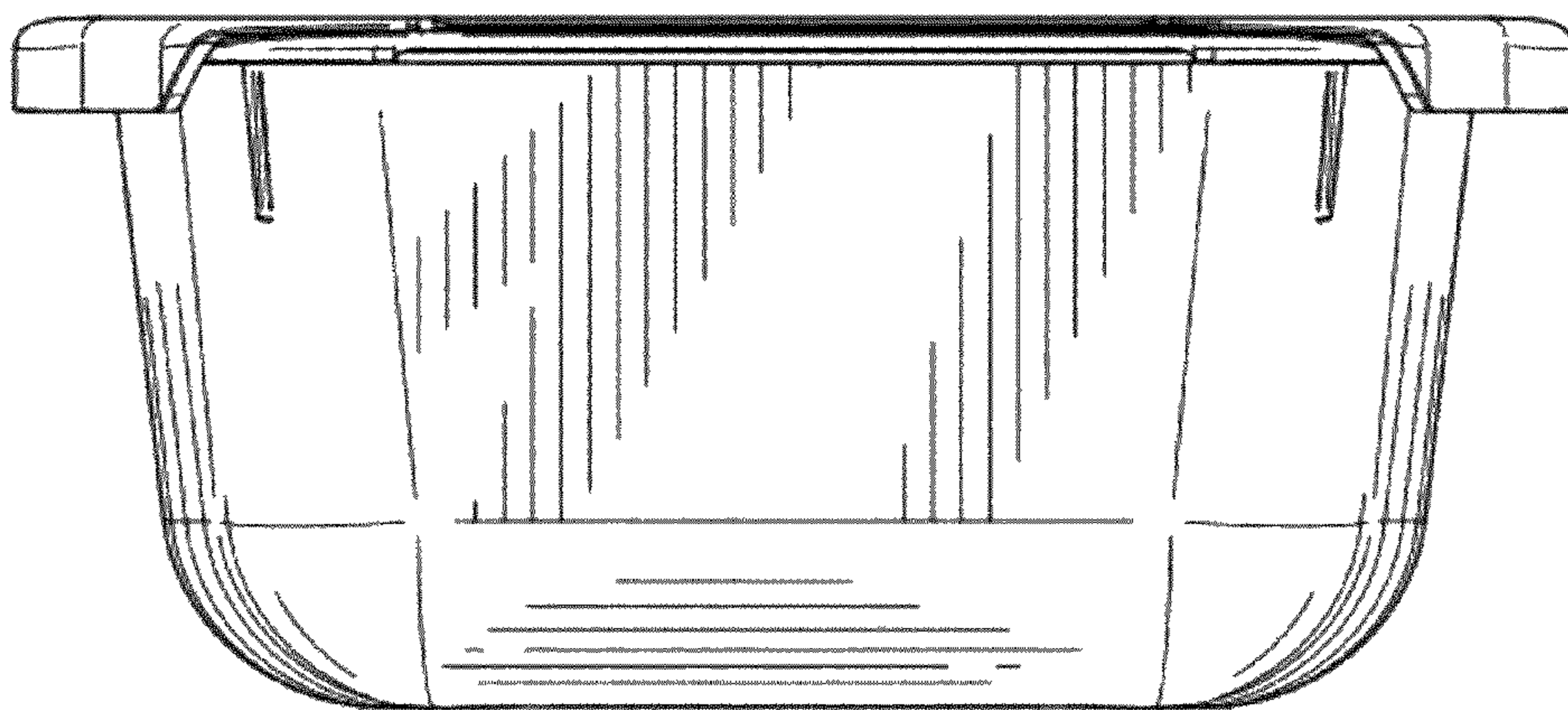


FIG. 9