



US00D656364S

(12) **United States Design Patent**  
**Gilbert**

(10) **Patent No.:** **US D656,364 S**  
(45) **Date of Patent:** **\*\* Mar. 27, 2012**

- (54) **INSULATED BOTTLE**
- (75) Inventor: **Tyler Sean Gilbert**, Bellevue, WA (US)
- (73) Assignee: **Pacific Market International, LLC**,  
Seattle, WA (US)
- (\*\*) Term: **14 Years**
- (21) Appl. No.: **29/396,383**
- (22) Filed: **Jun. 29, 2011**

- D309,568 S 7/1990 Beton
- D314,888 S 2/1991 Mano et al.
- D321,628 S 11/1991 Kobayashi et al.
- D329,385 S 9/1992 Alves Machado Guedes
- D354,915 S 1/1995 Schneider et al.
- D360,113 S 7/1995 Takahashi
- D378,652 S 4/1997 Yamanaka et al.
- D379,742 S 6/1997 Enomota et al.
- D379,743 S 6/1997 Enomota et al.
- D398,236 S 9/1998 Huang
- D411,716 S 6/1999 Besser et al.
- D416,448 S 11/1999 Webb et al.
- D422,455 S 4/2000 Kato
- D425,374 S 5/2000 Besser et al.
- D425,422 S 5/2000 David
- D428,774 S 8/2000 Moran, Jr.
- D429,118 S 8/2000 Hurlbut

**Related U.S. Application Data**

- (62) Division of application No. 29/378,148, filed on Oct. 29, 2010, now Pat. No. Des. 643,246, which is a division of application No. 29/345,052, filed on Oct. 8, 2009, now Pat. No. Des. 628,018.

- (51) **LOC (9) Cl.** ..... **07-01**
- (52) **U.S. Cl.** ..... **D7/608; D7/511**
- (58) **Field of Classification Search** ..... D7/603–608,  
D7/509, 511; D9/531, 537, 549, 552, 555,  
D9/559; 215/12.1, 12.2, 13.1; 190/100,  
190/115; 150/107, 110; 16/110.1; 220/752,  
220/753, 755, 756; D3/273, 274, 276, 291;  
D8/107, 300, 315, 306

See application file for complete search history.

(56) **References Cited**

**U.S. PATENT DOCUMENTS**

- 1,044,757 A 11/1913 Decker et al.
- D108,417 S 2/1938 Ambrose
- D179,880 S 3/1957 Bramming
- D182,708 S 5/1958 Bramming
- 2,981,562 A 6/1961 Long
- D206,914 S 2/1967 Phillips
- D222,521 S 10/1971 Johnson
- D268,727 S 4/1983 Nestrock
- D274,209 S 6/1984 Kikuchi
- D295,355 S 4/1988 Leung
- D306,953 S 4/1990 Kase et al.
- D308,477 S 6/1990 van den Ordel
- D309,237 S 7/1990 Kobayashi et al.

(Continued)

**OTHER PUBLICATIONS**

U.S. Appl. No. 29/305,912, filed Mar. 31, 2008, Gilbert.

(Continued)

*Primary Examiner* — Terry Wallace

(74) *Attorney, Agent, or Firm* — Davis Wright Tremaine LLP; George C. Rondeau, Jr.

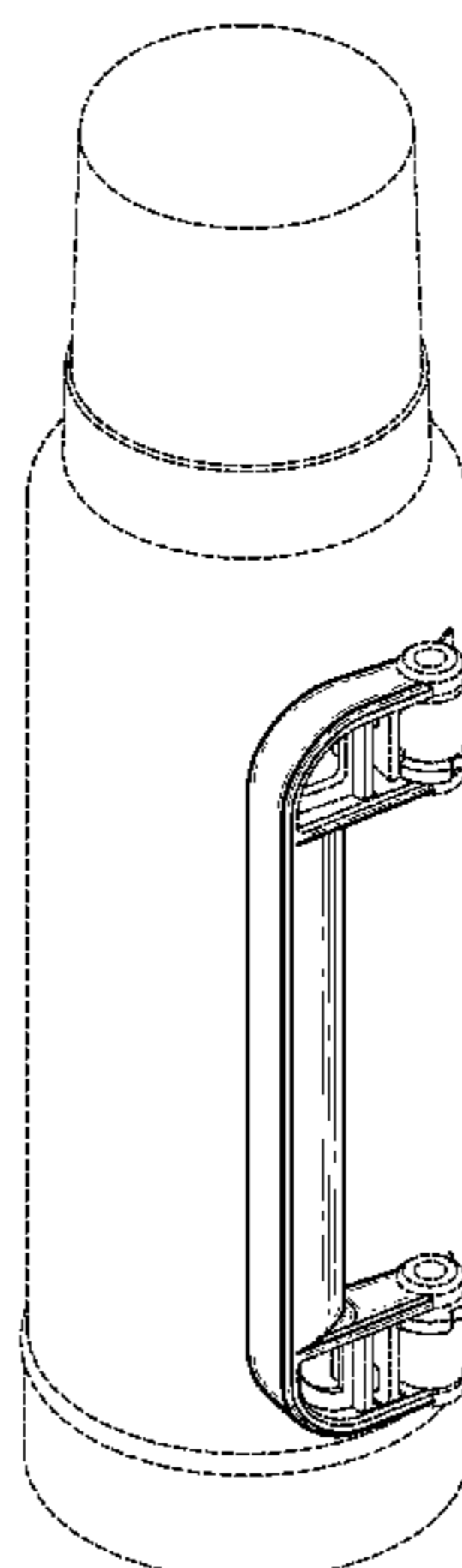
(57) **CLAIM**

The ornamental design for an insulated bottle, as shown and described.

**DESCRIPTION**

FIG. 1 is a top, rear perspective view of an insulated bottle showing my new design.  
 FIG. 2 is a rear elevation view thereof.  
 FIG. 3 is a front elevation view thereof.  
 FIG. 4 is a left side elevation view thereof.  
 FIG. 5 is a right side elevation view thereof.  
 FIG. 6 is a top plan view thereof; and,  
 FIG. 7 is a bottom plan view thereof.  
 The broken lines are for illustrative purposes only and form no part of the claimed design.

**1 Claim, 6 Drawing Sheets**



U.S. PATENT DOCUMENTS

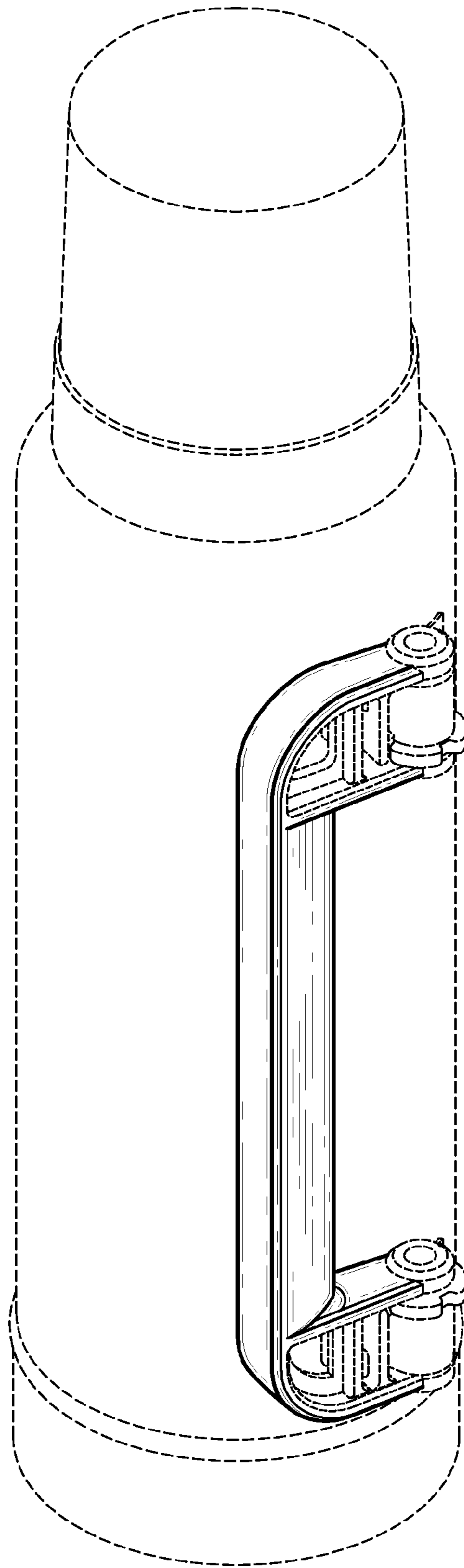
D429,119	S	8/2000	Hurlbut	
D430,769	S	9/2000	Hurlbut	
6,119,888	A *	9/2000	Goto et al.	220/592.27
D431,969	S	10/2000	Hurlbut	
D432,367	S	10/2000	Segura	
D434,611	S	12/2000	Yu	
D437,528	S	2/2001	Kitamura et al.	
D467,130	S	12/2002	Janky	
D488,675	S	4/2004	Moore	
6,764,622	B2 *	7/2004	Moran	264/46.5
D528,431	S	9/2006	Brandt et al.	
D530,219	S	10/2006	Brandt et al.	
D533,032	S	12/2006	Liu et al.	
D553,914	S *	10/2007	Wahl	D7/608
D572,981	S *	7/2008	Carreno	D7/608
D587,533	S *	3/2009	Carreno	D7/608
D592,909	S	5/2009	Alviar et al.	
D615,823	S *	5/2010	Gilbert	D7/608
D623,481	S *	9/2010	Moran	D7/608

OTHER PUBLICATIONS

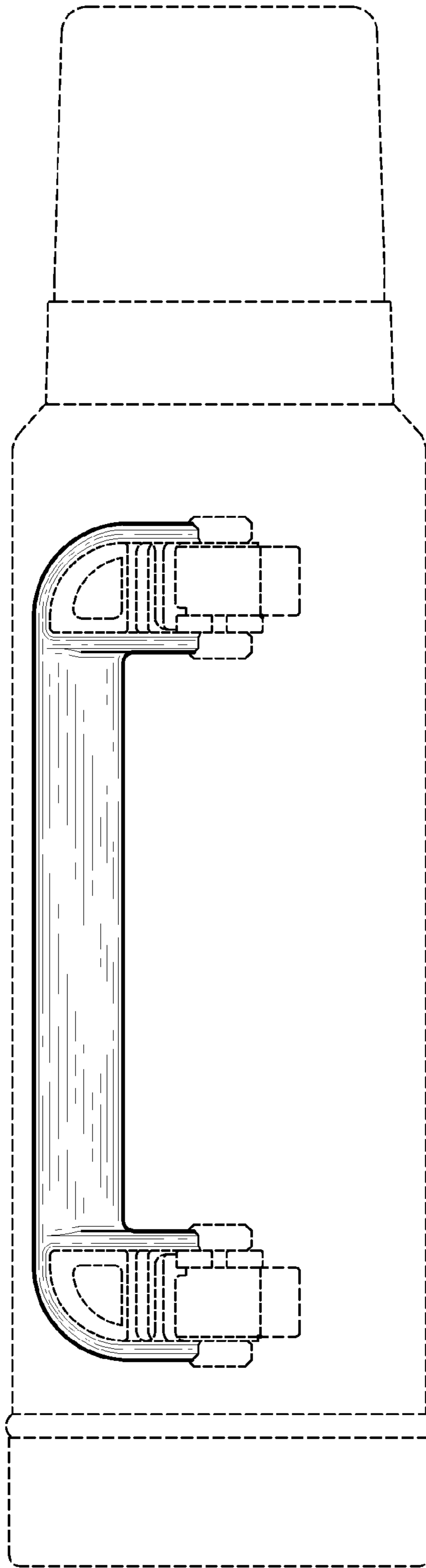
U.S. Appl. No. 29/344,046, filed Sep. 22, 2009, Gilbert.  
 Aladdin International Corporation® “Thermal Retention Products Price List,” Feb. 1, 1986.  
 Aladdin® Stanley® “Half Gallon Unbreakable Steel Vacuum Bottle 1.9 Liters” Brochure.  
 Aladdin® “Stanley® Quart Unbreakable Steel Vacuum Bottle 950 mL” Brochure.  
 Aladdin® “Stanley® Wide Mouth Unbreakable Steel Vacuum Bottle 24 oz. (710mL)” Brochure.  
 Aladdin® “Stanley® Quart with two 12-oz. Stanley Foam-Insulated Travel Mugs, Unbreakable Steel Vacuum Bottle (950mL)” Brochure.

Aladdin® “Rugged American™ Quart Steel Thermos” Brochure.  
 Aladdin® “Envoy™ Unbreakable Steel Vacuum Bottle, Pint (470mL)” Brochure.  
 Aladdin® “Envoy™ Unbreakable Steel Vacuum Bottle, Quart (950mL)” Brochure.  
 Aladdin® “Executive™ 0.7 Liter, 0.5 Liter, 1 Liter, The All Steel Bottles . . . That Really Mean Business” Brochure.  
 Aladdin® “Glass Vacuum Bottles, Items 6016 and 6032” Brochure.  
 Aladdin® “The Omega” Brochure, Aladdin Industries Nashville, TN, 1993.  
 Aladdin® “Stanley® Insulated Lunch Cooler 7 Quart Capacity” Brochure.  
 Aladdin® “Stanley® Combo” Brochure.  
 Aladdin® “Black Stanley® Quart with Two Foam-Insulated 12-oz. Mugs Unbreakable Steel Vacuum Bottle 950 mL” Brochure.  
 Aladdin® “The Stanley Fourth Quarter Advertising Campaign” Brochure.  
 Aladdin® Stanley® 10 N 10 Rugged American Item #4232, Quart, Half Gallon and 24 Ounce Widemouth Stanley® Item #4032, 4032BL, 4064, 4024, Stanley® Cooler Item #4100, Brochure.  
 Aladdin® “Heavy Duty Thermo Bottles 10 N 10, Item #2134 and Item 2123” Brochure.  
 Aladdin® “Stanley® Gift Sets Item #4032SBL” Brochure.  
 Pacific Market, Inc. “Joe Vacuum Bottle” worksheet, Dec. 1998.  
 Contemporary Classics “1996 Centennial Olympic Collection” Brochure.  
 Stanley classic Bottle shown on photo. Sold more than one year prior to Mar. 31, 2008.  
 Stanley Outdoor Bottle shown on photo. Sold more than one year prior to Mar. 31, 2008.

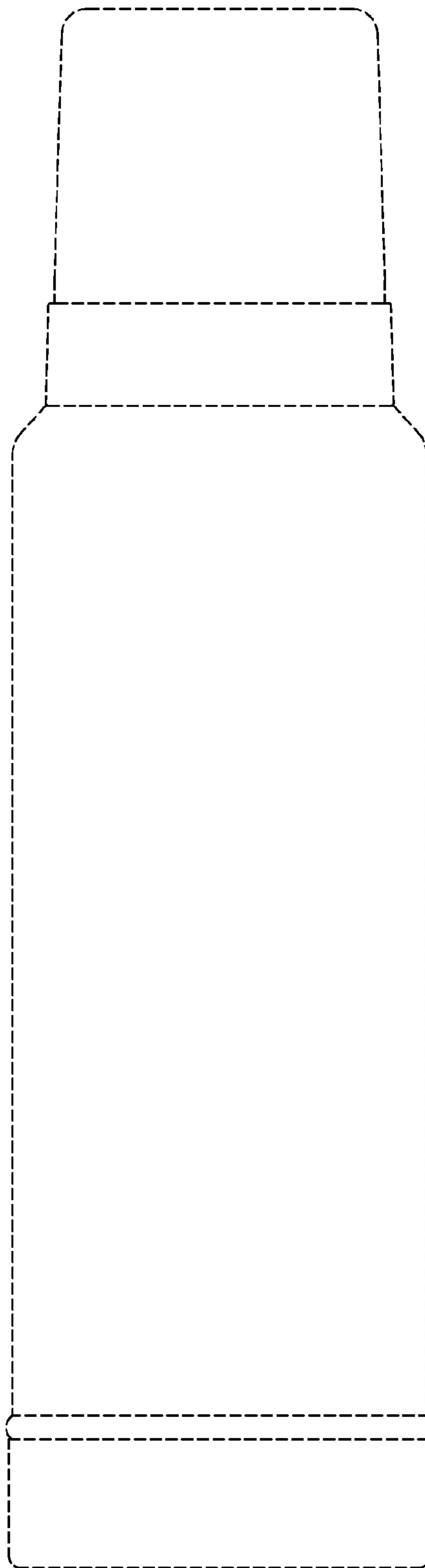
\* cited by examiner



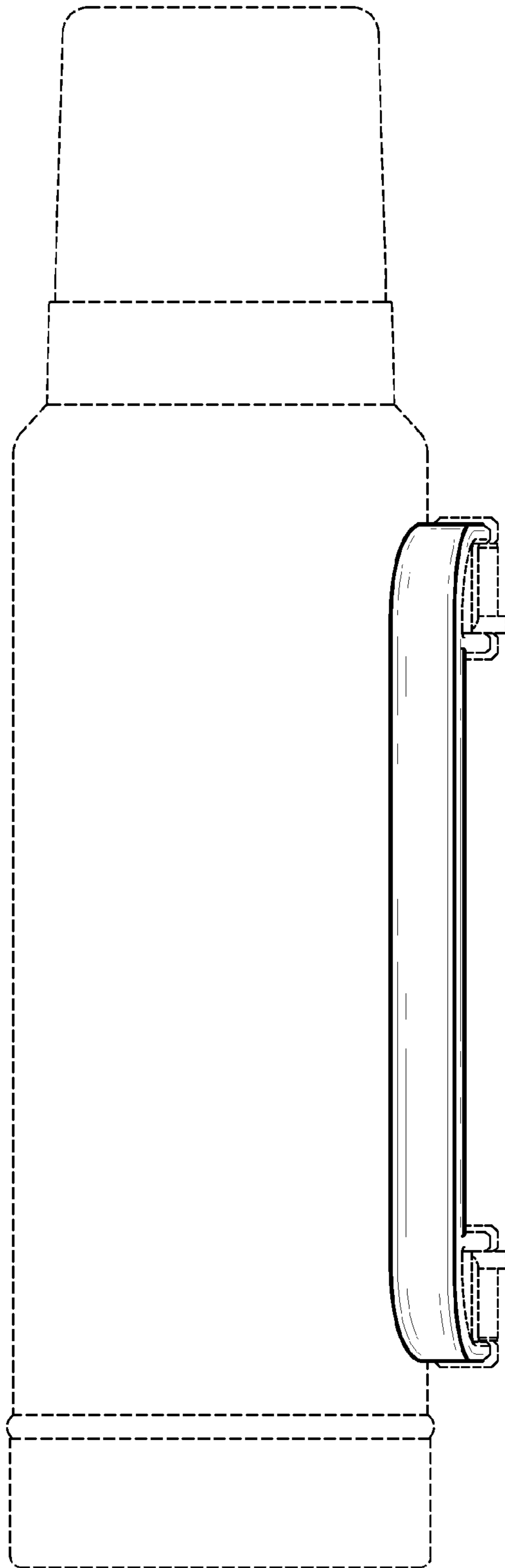
*Fig. 1*



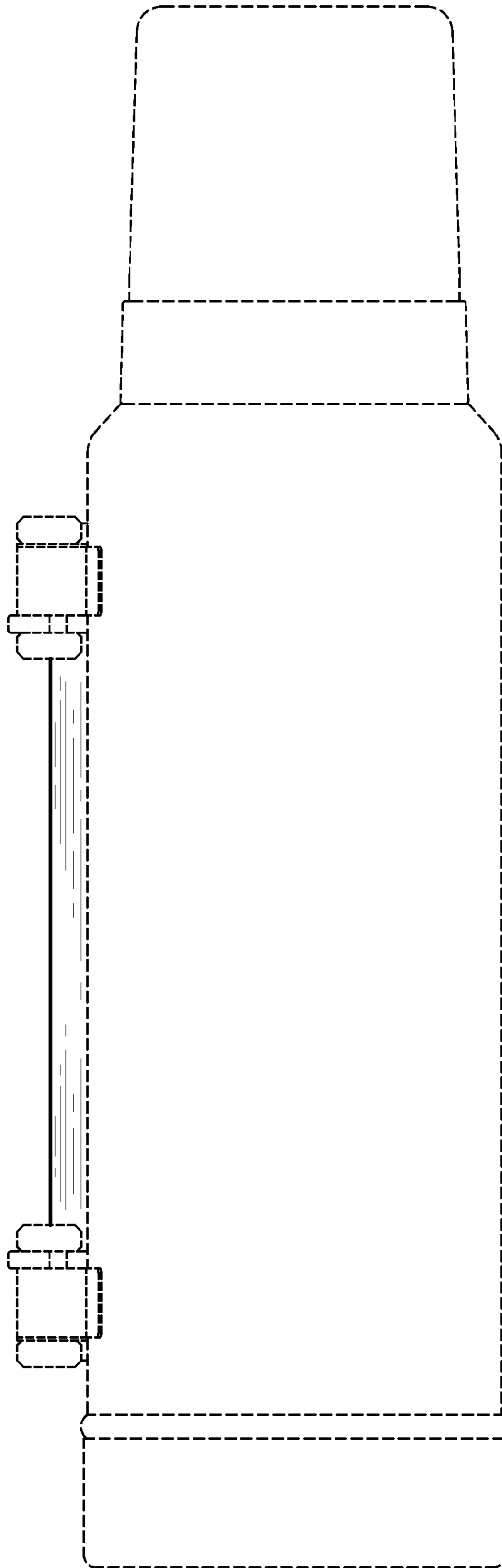
*Fig. 2*



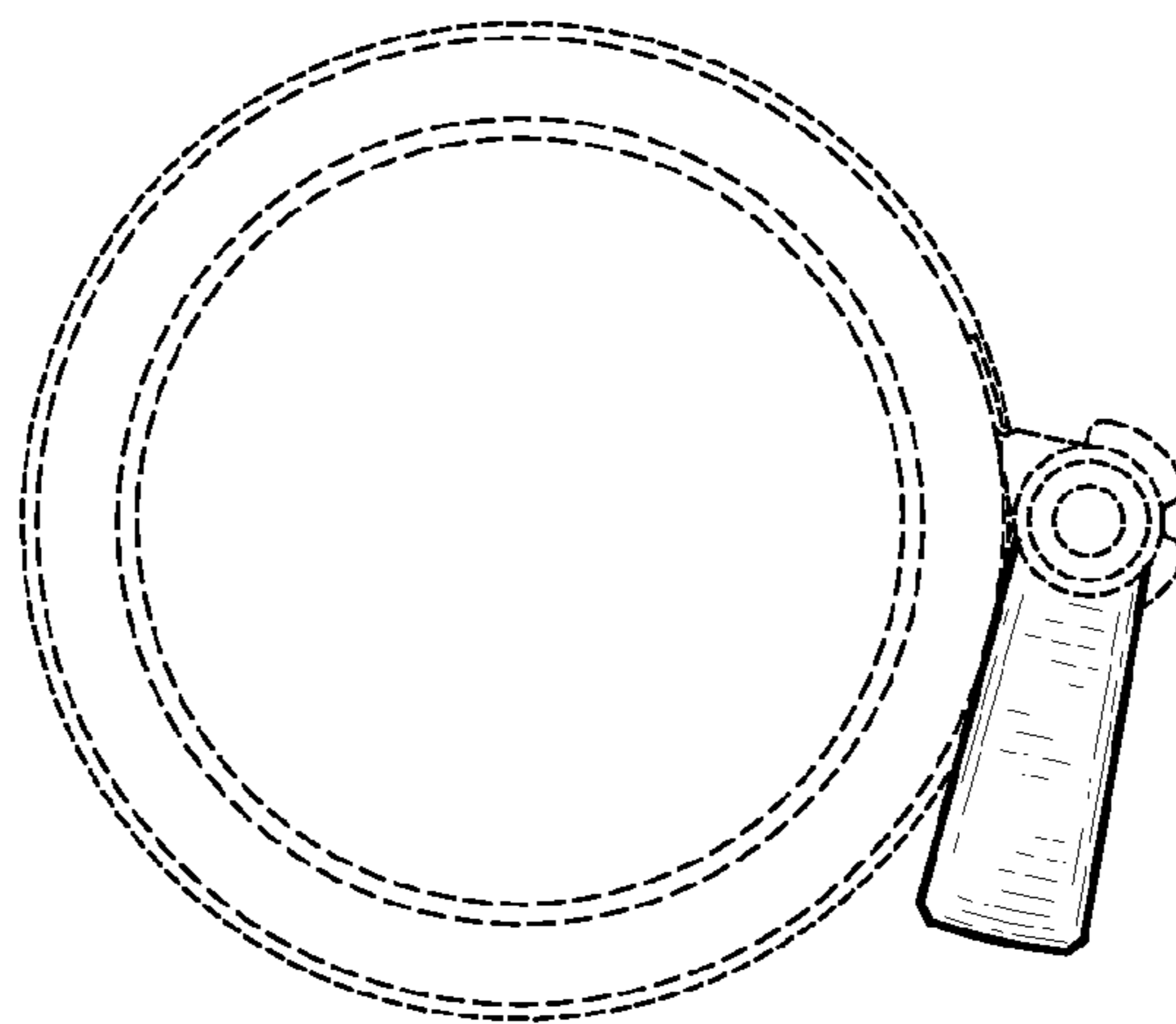
*Fig. 3*



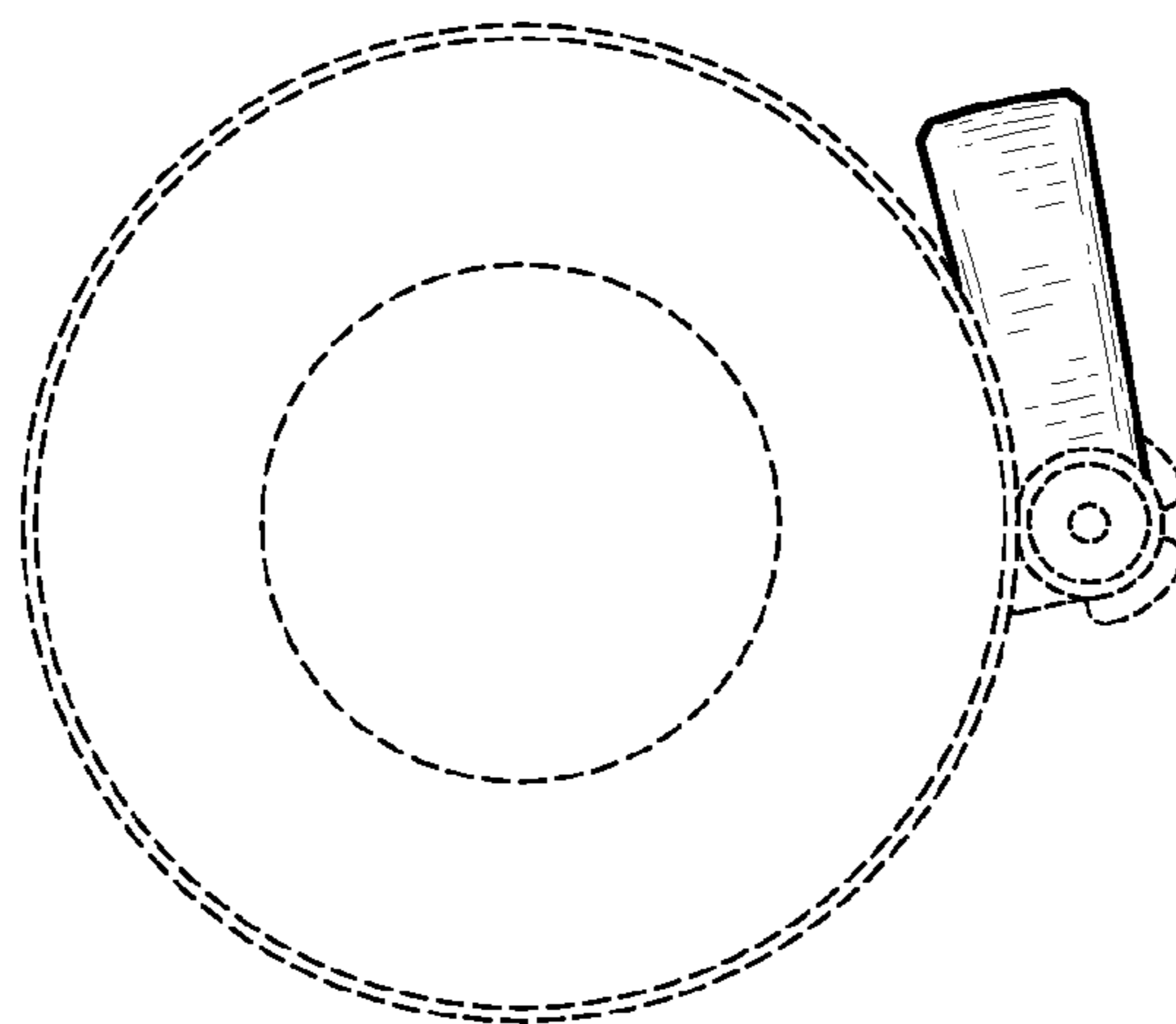
*Fig. 4*



*Fig. 5*



*Fig. 6*



*Fig. 7*