



US00D656363S

(12) **United States Design Patent**  
**Tiemann et al.**

(10) **Patent No.:** **US D656,363 S**

(45) **Date of Patent:** **\*\* Mar. 27, 2012**

(54) **BAKING RACK FOR HOLDING CONES**

(75) Inventors: **Frank R. Tiemann**, Madison Lake, MN  
(US); **Douglas S. Gjerde**, St. Clair, MN  
(US)

(73) Assignee: **Nifty Home Products, Inc.**, Madison  
Lake, MN (US)

(\*\*) Term: **14 Years**

(21) Appl. No.: **29/397,859**

(22) Filed: **Jul. 21, 2011**

(51) **LOC (9) Cl.** ..... **07-06**

(52) **U.S. Cl.** ..... **D7/601; D7/600.1; D7/704**

(58) **Field of Classification Search** ..... D7/600.1-600.4,  
D7/701-708, 601; 206/563, 564, 518; 220/23.8,  
220/23.4, 23.83; 229/406, 932; 294/143;  
99/439, 345, 428; D6/462-469, 449, 514;  
211/71.01, 74, 181.1

See application file for complete search history.

(56) **References Cited**

**U.S. PATENT DOCUMENTS**

1,448,259	A *	3/1923	Cook	294/143
3,908,877	A *	9/1975	Kosisky	294/143
4,291,805	A *	9/1981	Seeley	206/563
4,446,982	A *	5/1984	Corse	220/8
4,599,314	A *	7/1986	Shami	220/23.4
5,207,150	A *	5/1993	Wellman et al.	99/439
D401,819	S *	12/1998	Doret, Jr.	D7/600.2
5,899,353	A *	5/1999	Sabin et al.	220/23.83
D467,127	S *	12/2002	Wright	D7/601
D489,587	S *	5/2004	Herzog	D7/704
D536,936	S	2/2007	Tiemann	

D541,603	S *	5/2007	Anker	D7/704
D609,057	S	2/2010	Hertaus	
D609,533	S	2/2010	Tiemann	
D620,280	S	7/2010	Snider	
D620,728	S	8/2010	Snider	
D621,640	S	8/2010	Tiemann	
D626,382	S	11/2010	Tiemann	
D629,655	S	12/2010	Tiemann	
D634,978	S	3/2011	Tiemann	
D634,979	S	3/2011	Tiemann	
D635,405	S	4/2011	Tiemann	
D636,643	S	4/2011	Tiemann	
2007/0045206	A1	3/2007	Tiemann	

**FOREIGN PATENT DOCUMENTS**

CA 138042 7/2011

\* cited by examiner

*Primary Examiner* — Terry Wallace

(74) *Attorney, Agent, or Firm* — Thomas J. Nikolai; Nikolai  
& Mersereau, P.A.

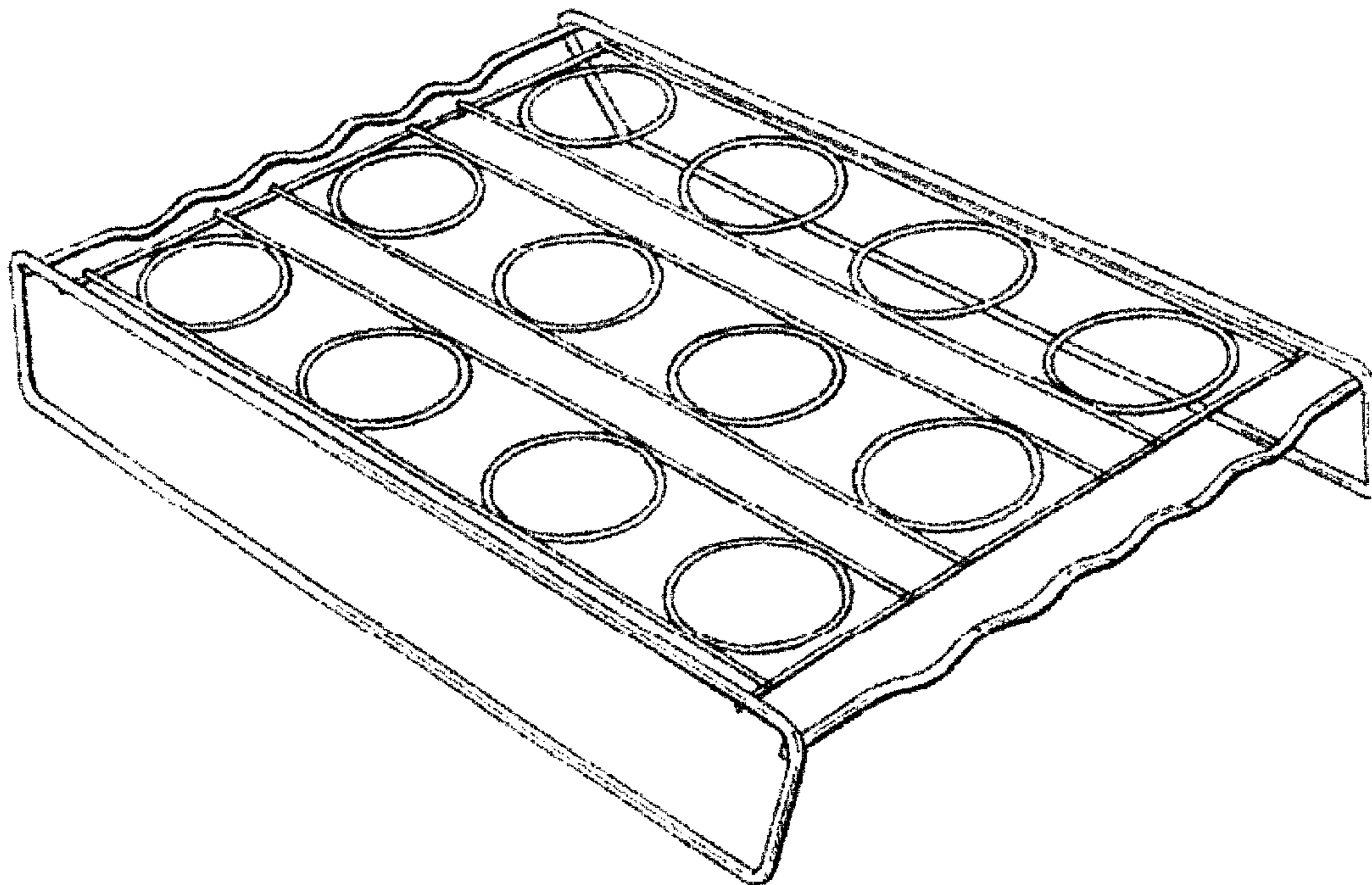
(57) **CLAIM**

The ornamental design for the “baking rack for hold cones,”  
as shown and described.

**DESCRIPTION**

FIG. 1 is a perspective view of the baking rack for holding  
cones;  
FIG. 2 is a front view thereof;  
FIG. 3 is a rear view thereof;  
FIG. 4 is a side view thereof;  
FIG. 5 is a second side view thereof;  
FIG. 6 is a bottom view thereof; and,  
FIG. 7 is a top view thereof.

**1 Claim, 4 Drawing Sheets**



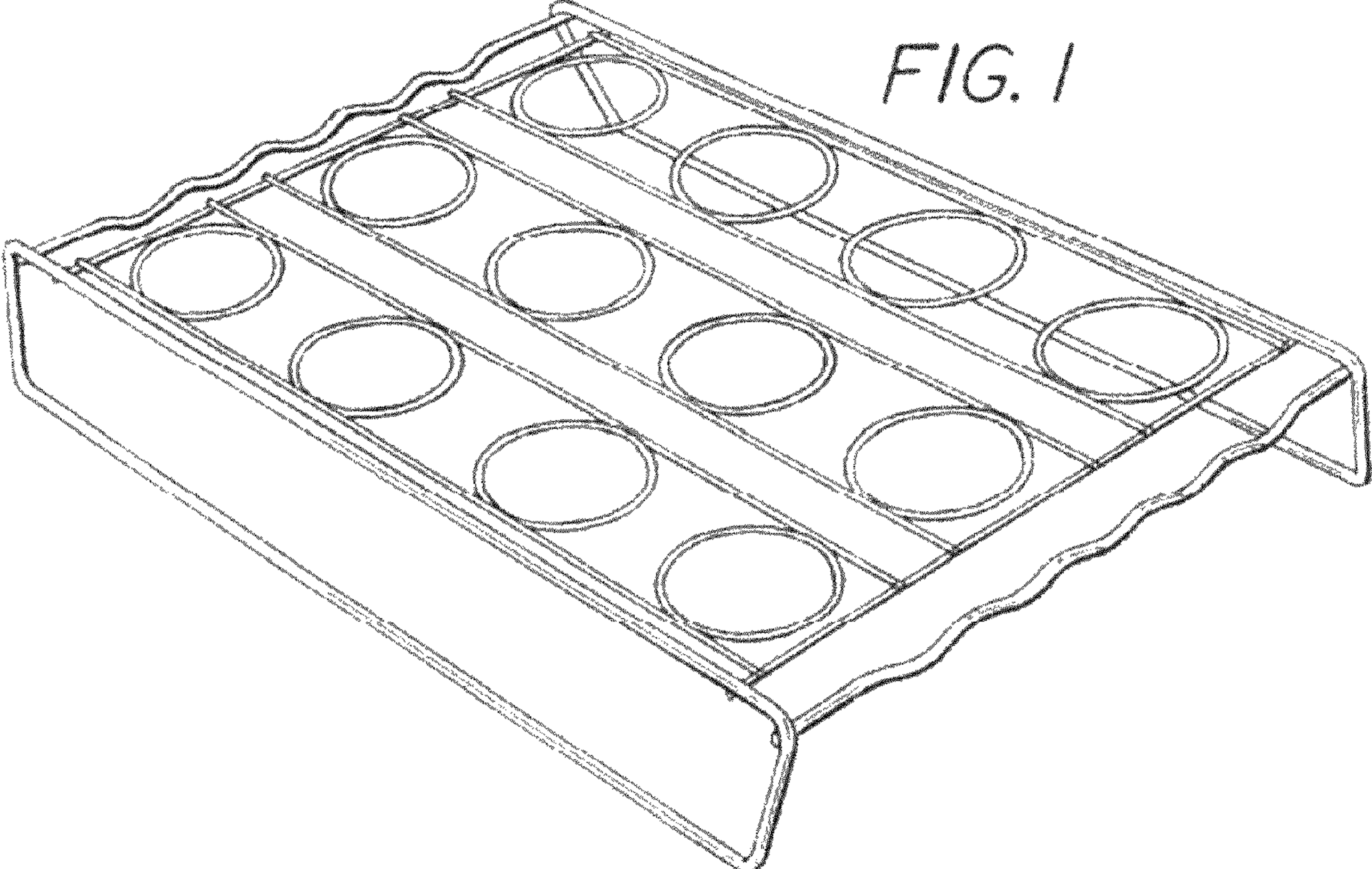


FIG. 1

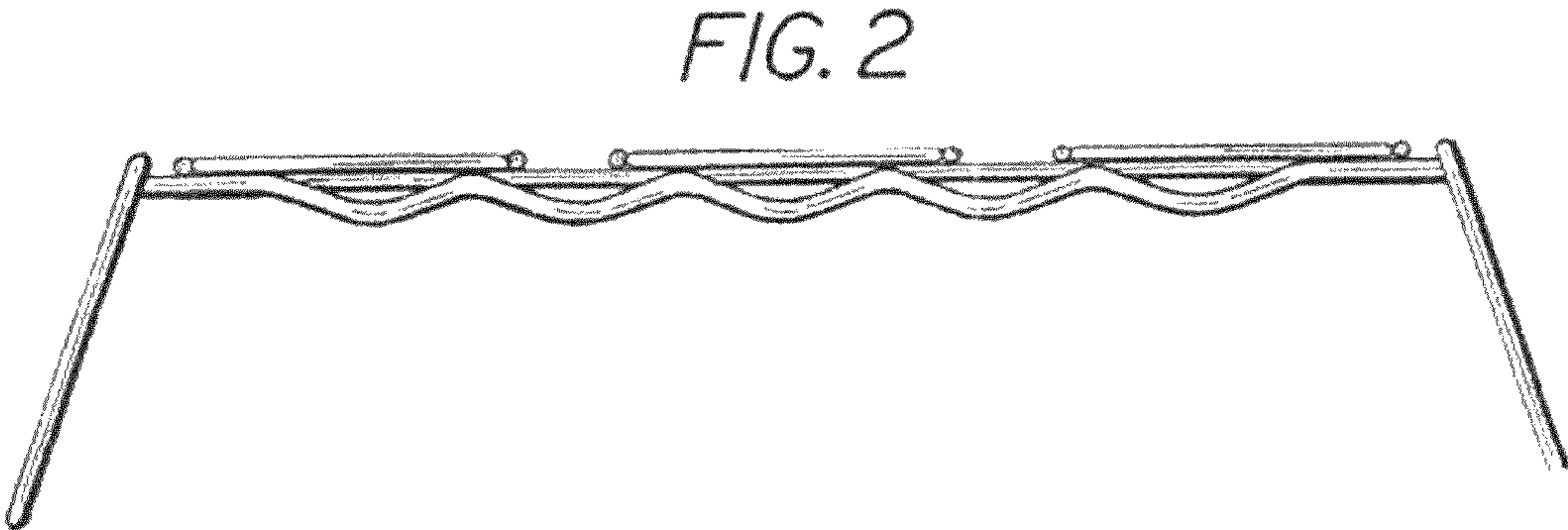


FIG. 2

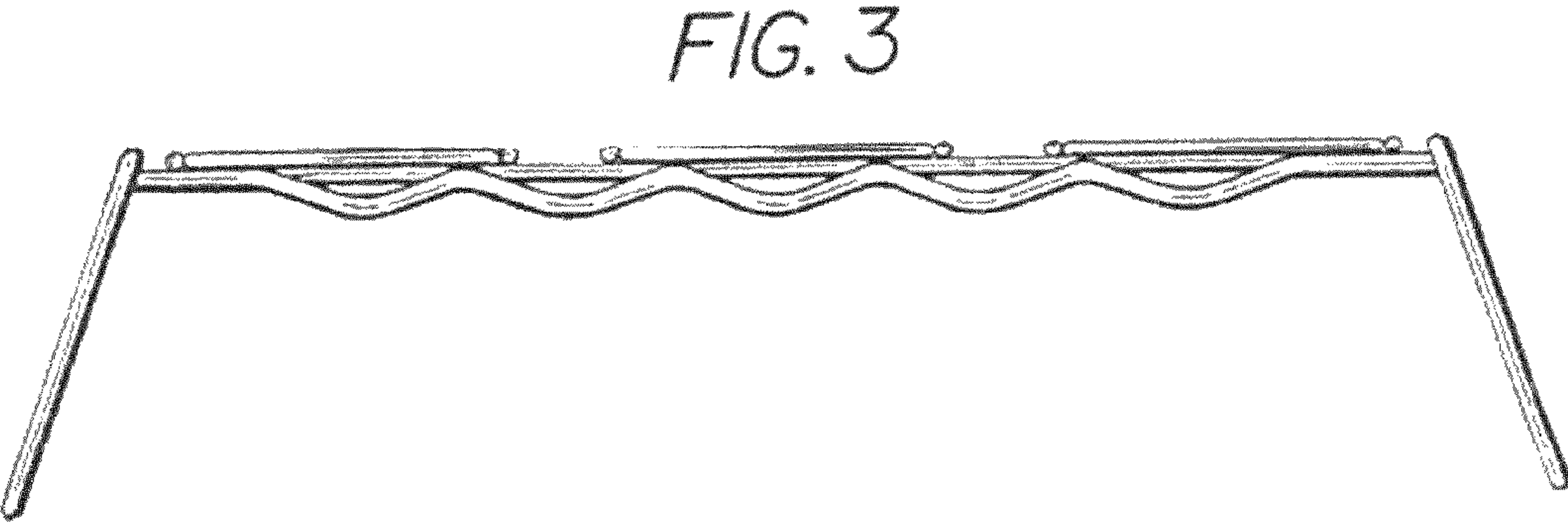


FIG. 3

FIG. 4

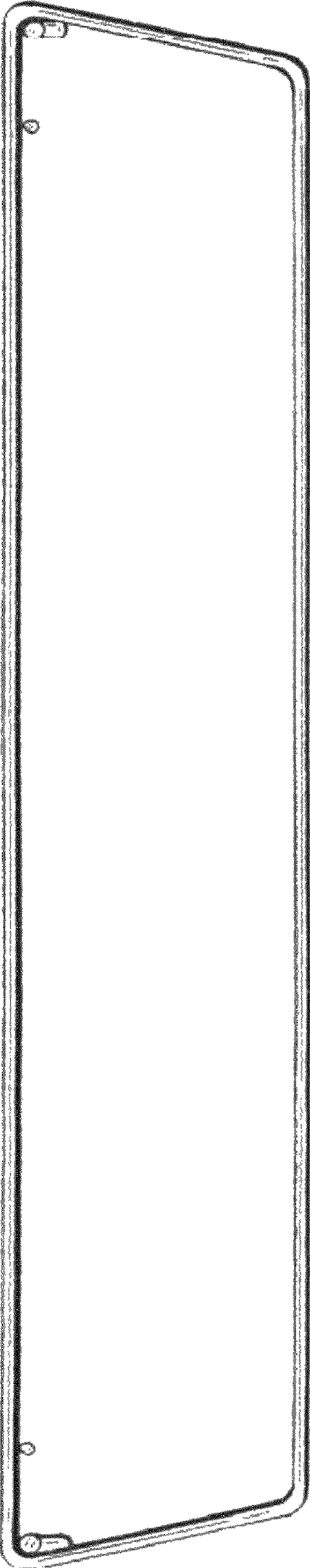


FIG. 5

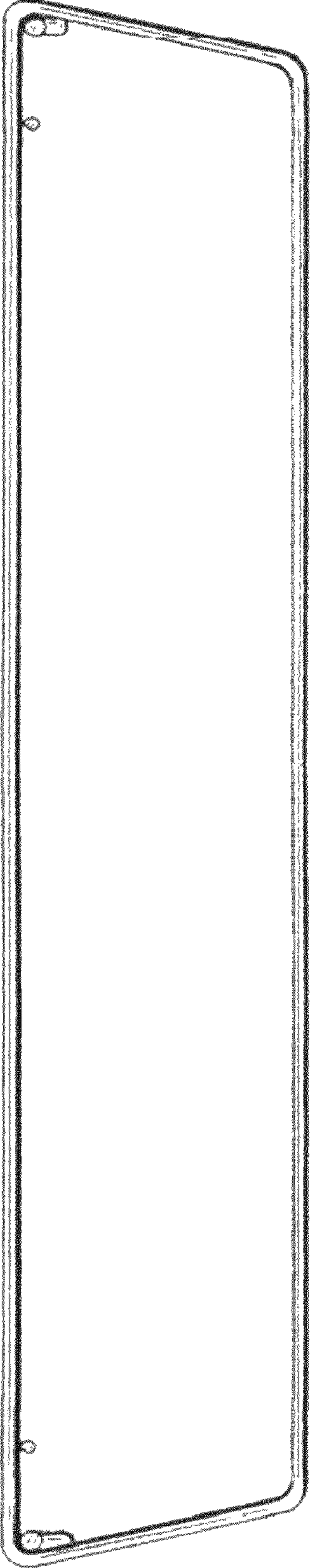


FIG. 6

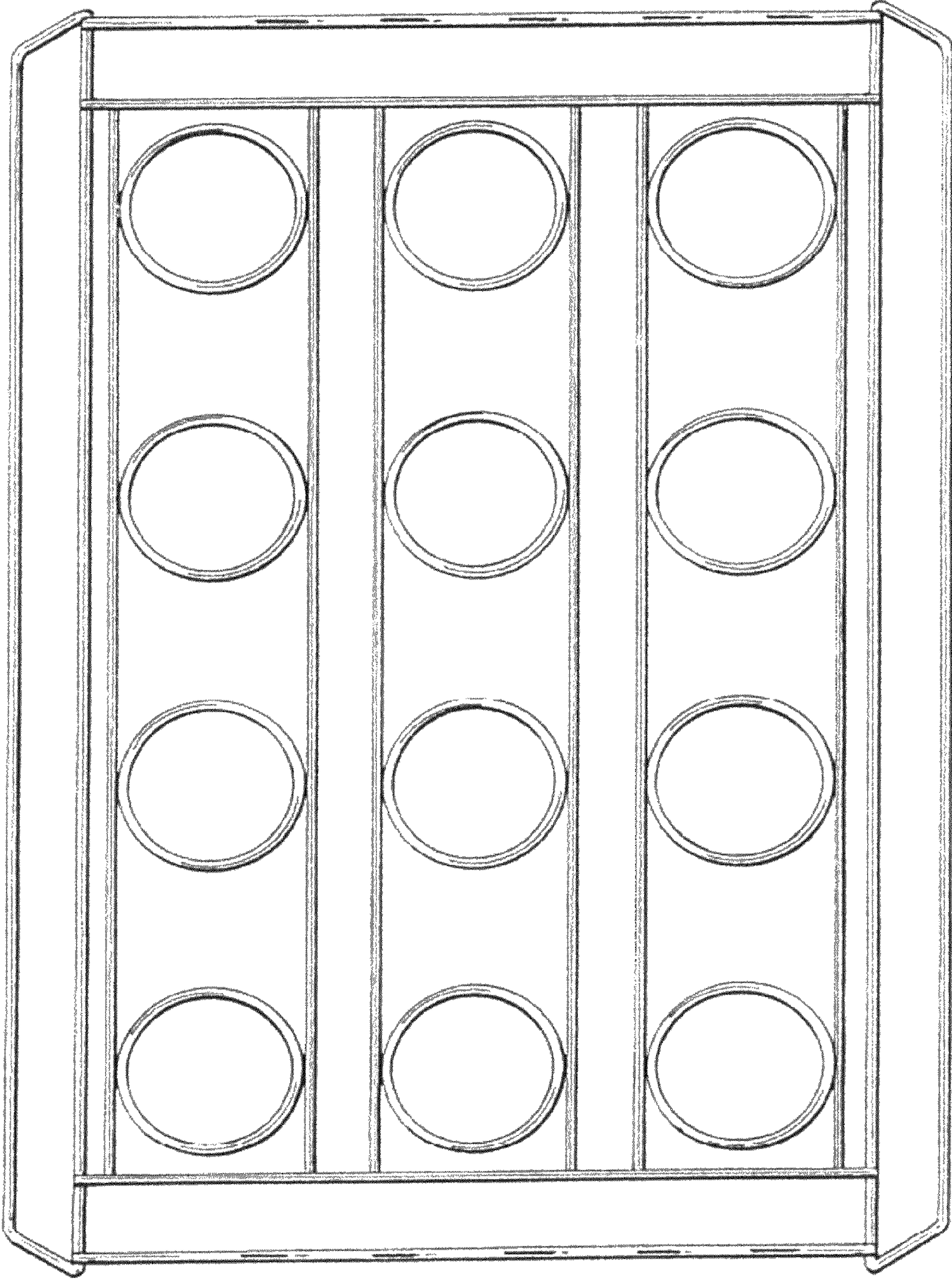


FIG. 7

