



US00D656361S

(12) **United States Design Patent**
Gilbert

(10) **Patent No.:** **US D656,361 S**

(45) **Date of Patent:** **** Mar. 27, 2012**

(54) **BEVERAGE CONTAINER**

(75) Inventor: **Tyler Sean Gilbert**, Bellevue, WA (US)

(73) Assignee: **Pacific Market International, LLC**,
Seattle, WA (US)

(**) Term: **14 Years**

(21) Appl. No.: **29/368,573**

(22) Filed: **Aug. 25, 2010**

(51) **LOC (9) Cl.** **07-01**

(52) **U.S. Cl.** **D7/536; D7/533**

(58) **Field of Classification Search** D7/510,
D7/511, 509, 533, 536; 215/378, 379, 315;
220/737, 715, 592.16, 592.17

See application file for complete search history.

(56) **References Cited**

U.S. PATENT DOCUMENTS

3,059,816	A *	10/1962	Goldstein	222/109
5,082,134	A *	1/1992	Ramsey	220/711
D330,484	S *	10/1992	Ross	D7/511
D334,869	S *	4/1993	Mills	D7/605
D350,457	S *	9/1994	Bailey	D7/622
D409,441	S *	5/1999	Stephenson	D7/510
6,352,166	B1 *	3/2002	Copeland	220/254.2
D465,132	S *	11/2002	Janky et al.	D7/510
D527,222	S *	8/2006	Liu	D7/510
D544,300	S *	6/2007	Tien	D7/510
D553,436	S *	10/2007	George	D7/510
D562,072	S *	2/2008	Wahl	D7/510

D595,089	S *	6/2009	Wahl	D7/510
D599,621	S *	9/2009	Poindexter et al.	D7/536
D602,308	S *	10/2009	Alviar et al.	D7/510
D608,140	S *	1/2010	Gilbert	D7/396.2
D615,817	S *	5/2010	George	D7/510
D622,102	S *	8/2010	Wahl	D7/510
D622,545	S *	8/2010	Wahl	D7/510

OTHER PUBLICATIONS

U.S. Appl. No. 29/366,831, filed Jul. 30, 2010, Gilbert.

* cited by examiner

Primary Examiner — Marianne Pandozzi

(74) *Attorney, Agent, or Firm* — Davis Wright Tremaine
LLP; George C. Rondeau, Jr.

(57) **CLAIM**

The ornamental design for a beverage container, as shown and described.

DESCRIPTION

FIG. 1 is a top rear perspective view of a beverage container showing my new design.

FIG. 2 is a right side elevational view thereof.

FIG. 3 is a left side elevational view thereof.

FIG. 4 is a rear elevational view thereof.

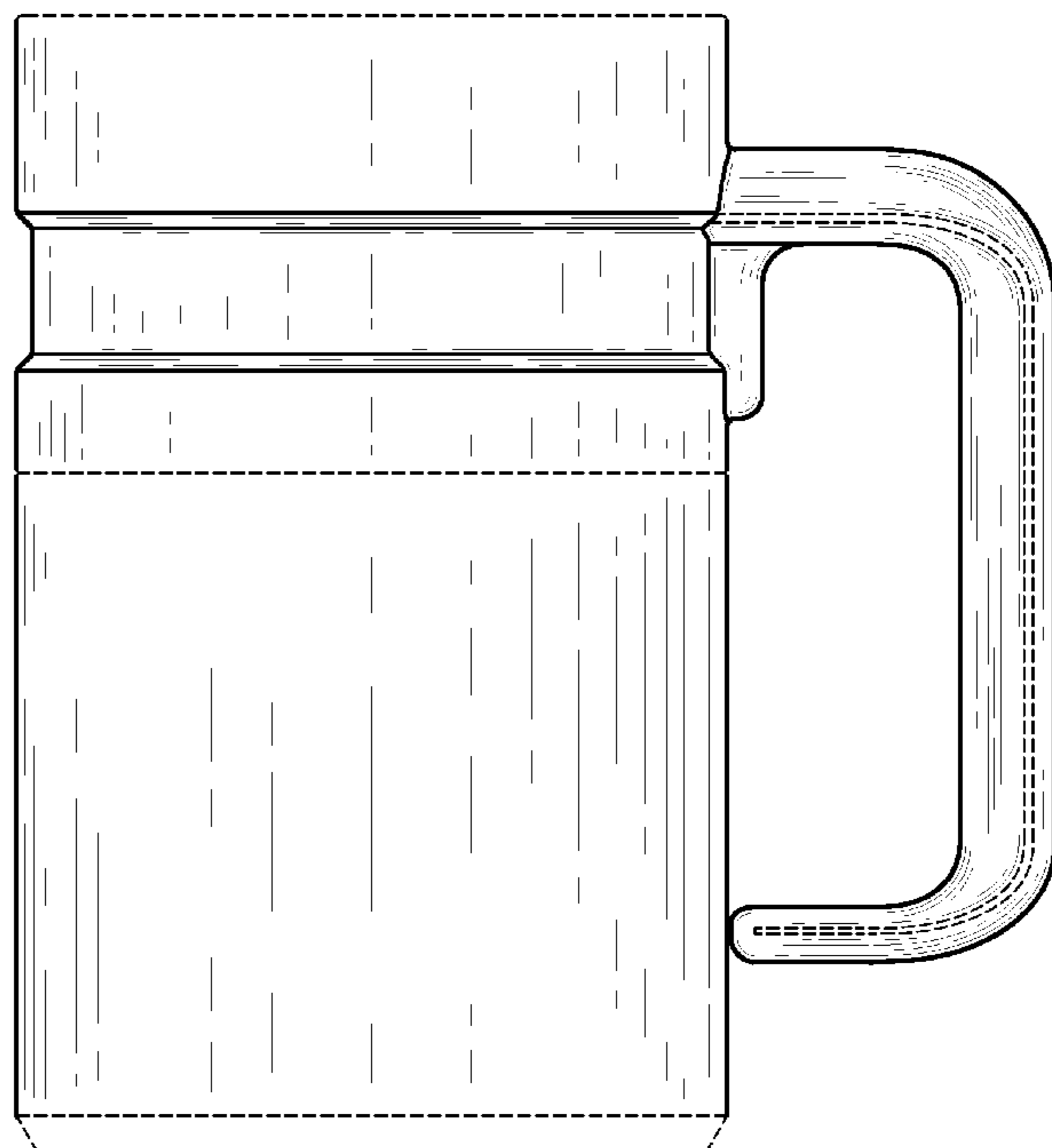
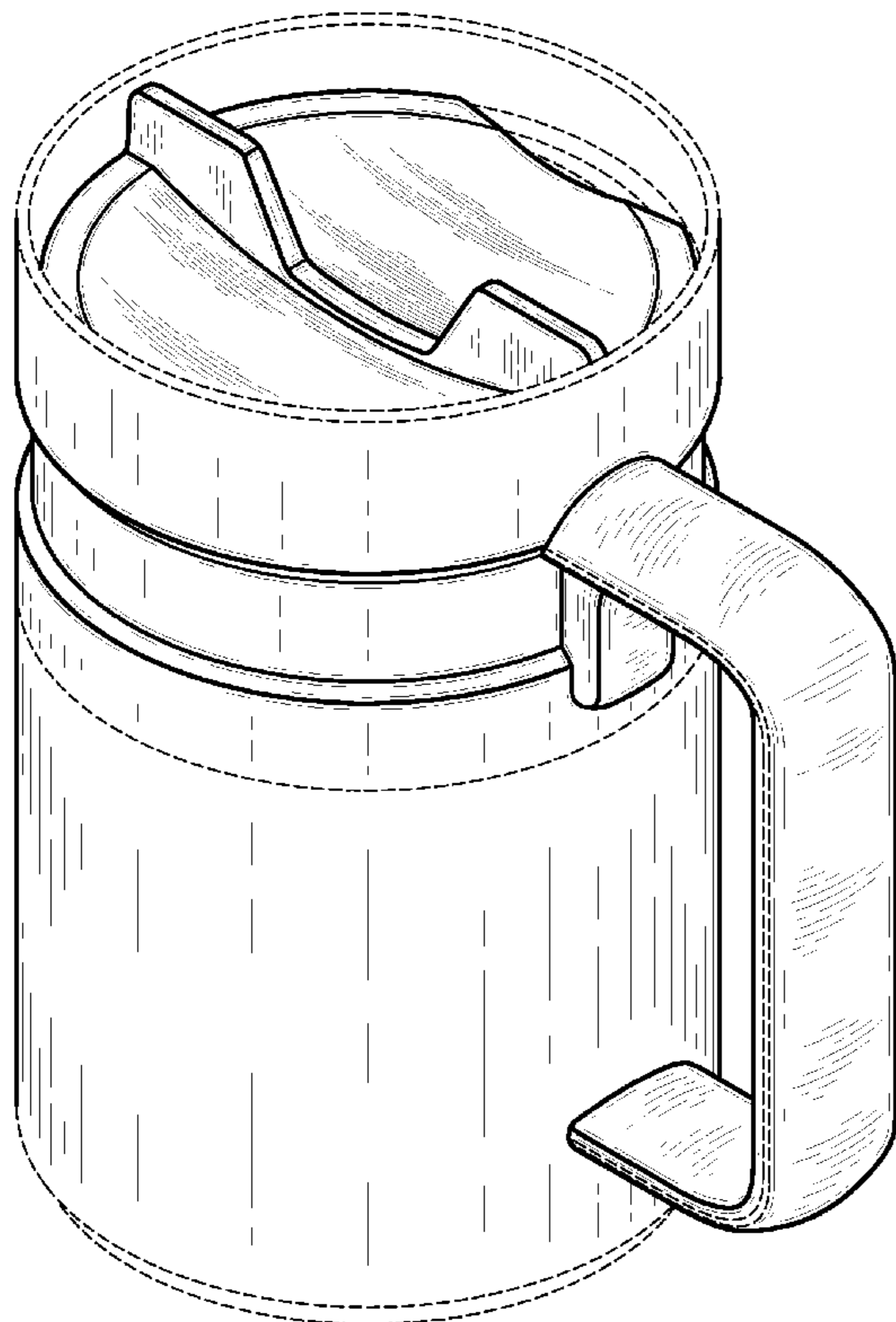
FIG. 5 is a front elevational view thereof.

FIG. 6 is a top plan view thereof; and,

FIG. 7 is a bottom plan view thereof.

The broken lines represent portions of the beverage container that form no part of the claim.

1 Claim, 6 Drawing Sheets



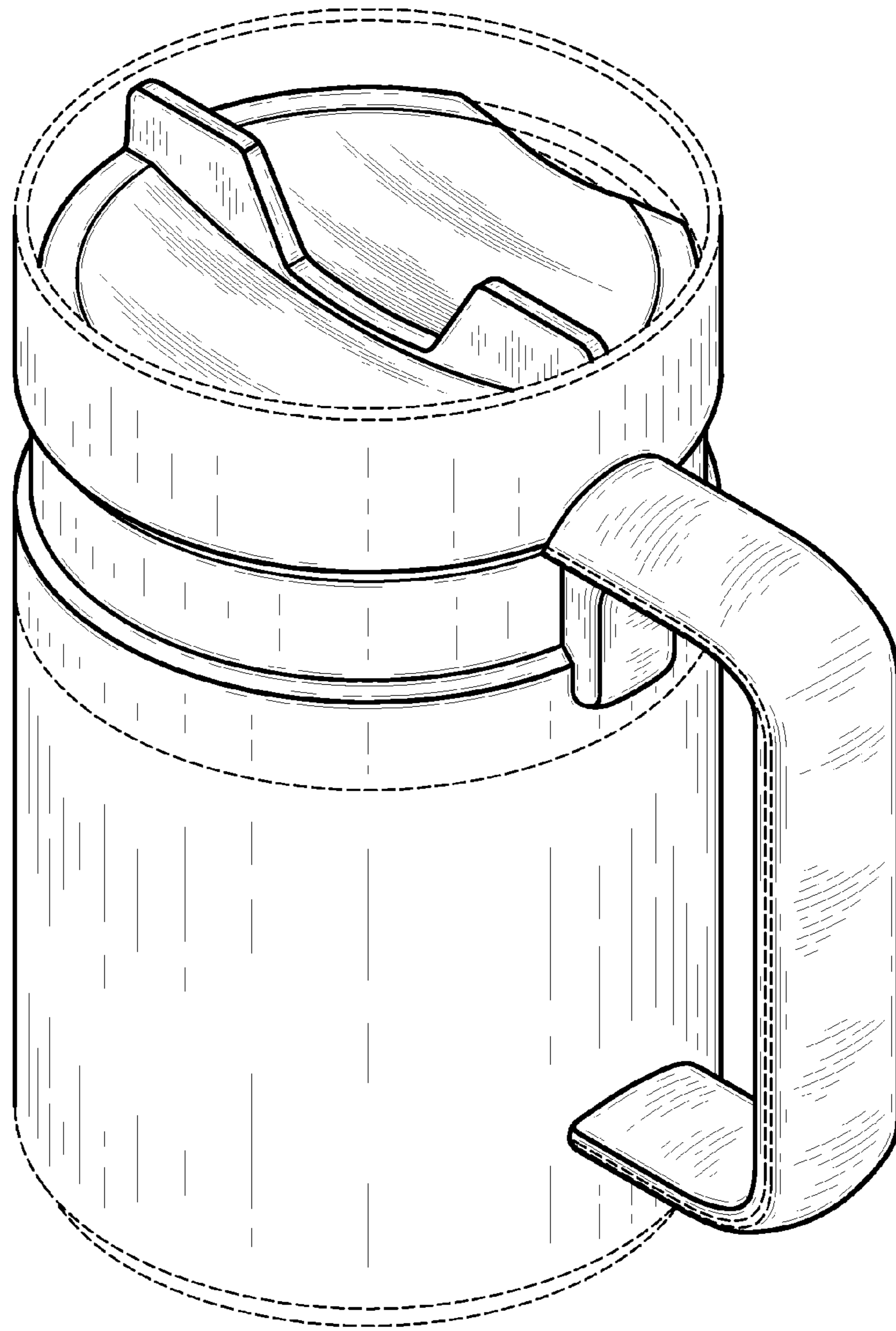


Fig. 1

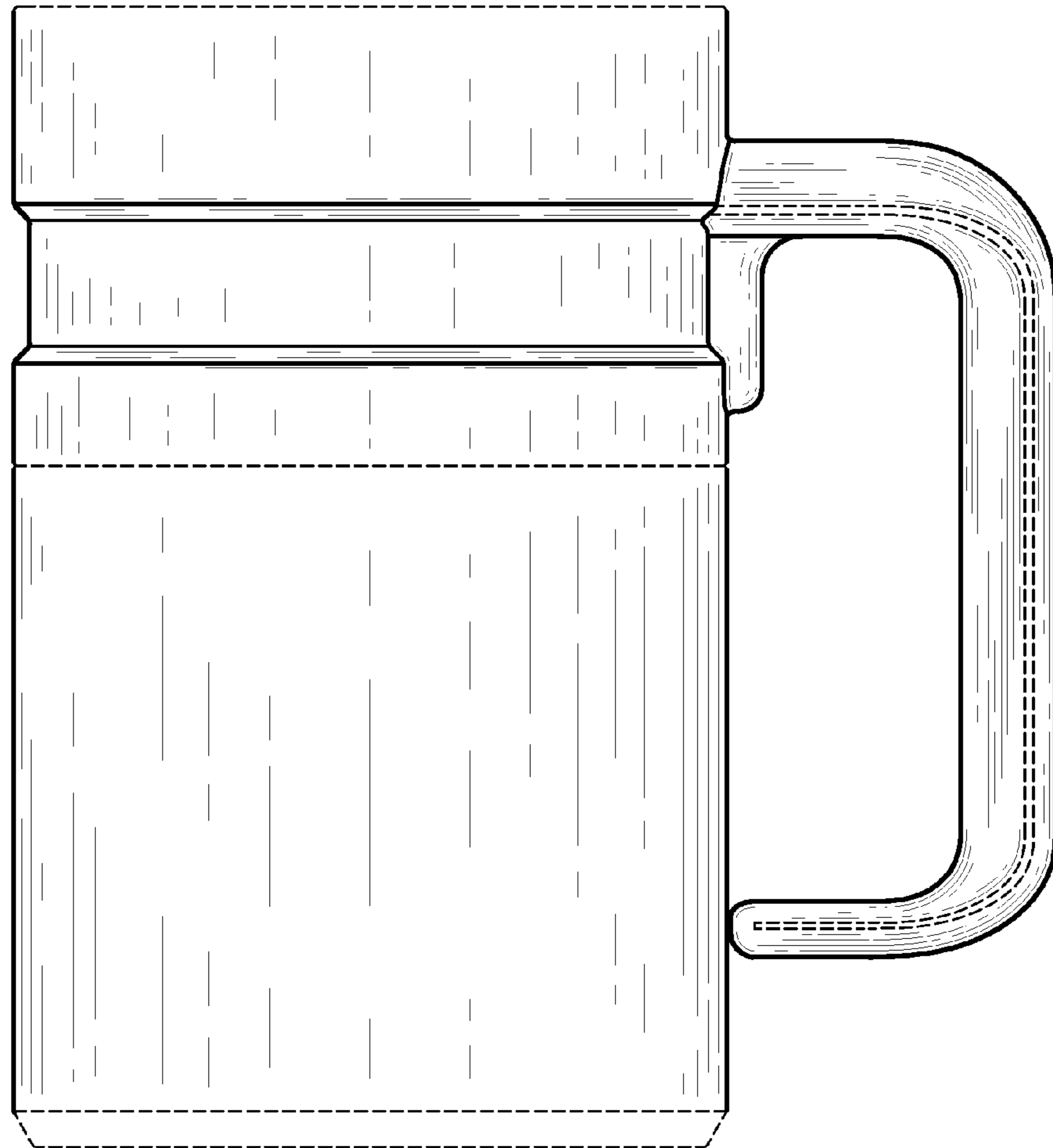


Fig. 2

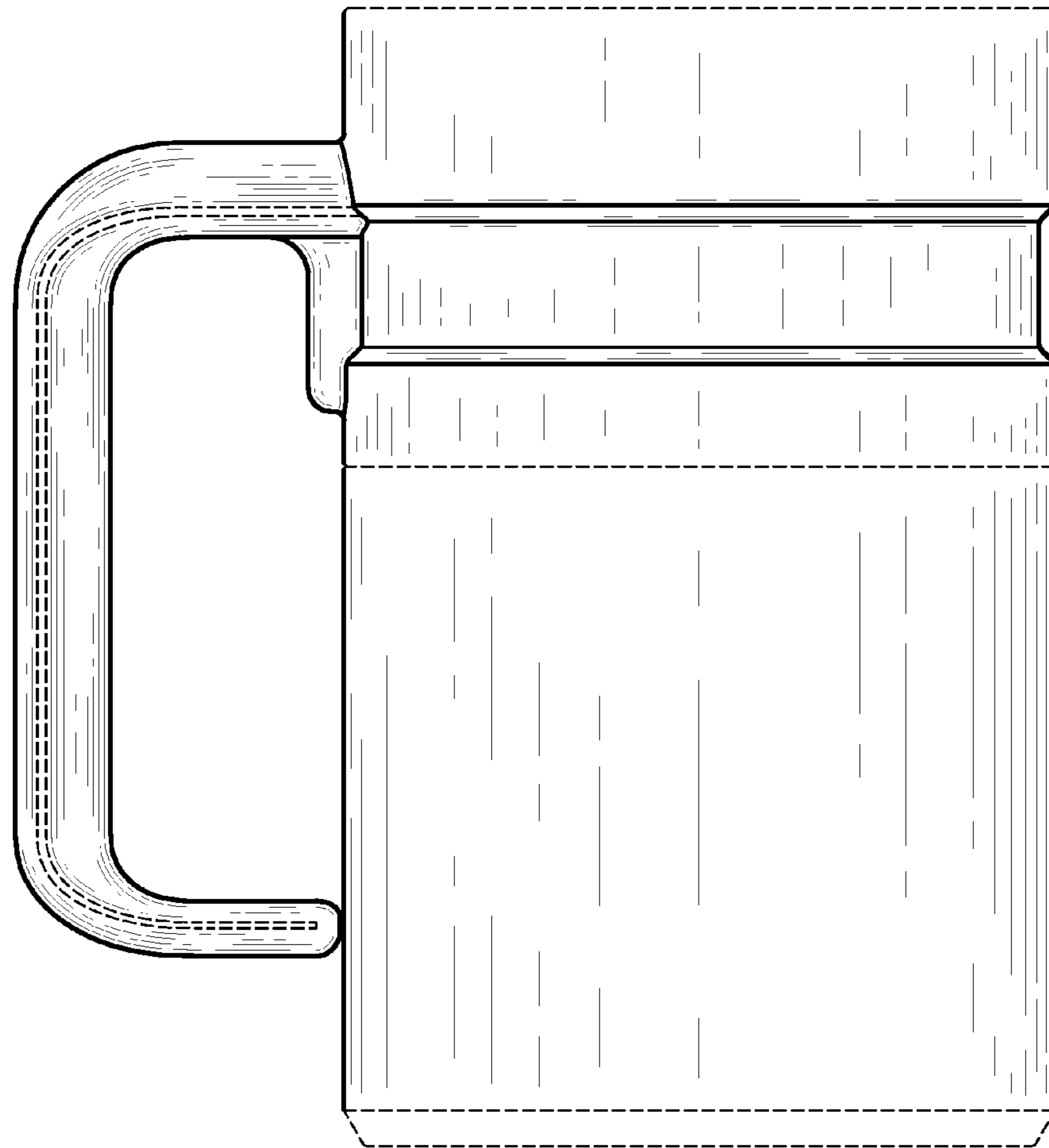


Fig. 3

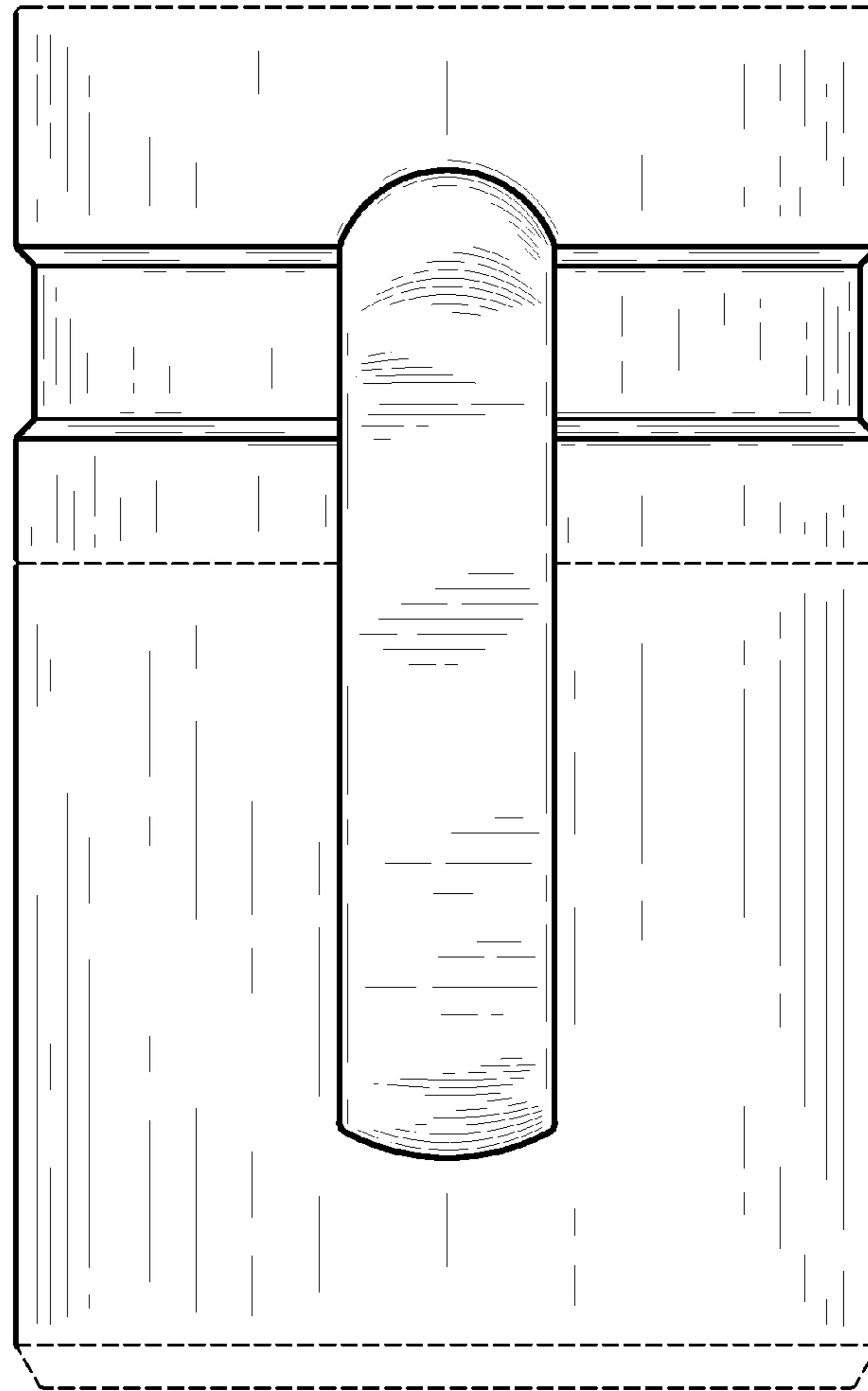


Fig. 4

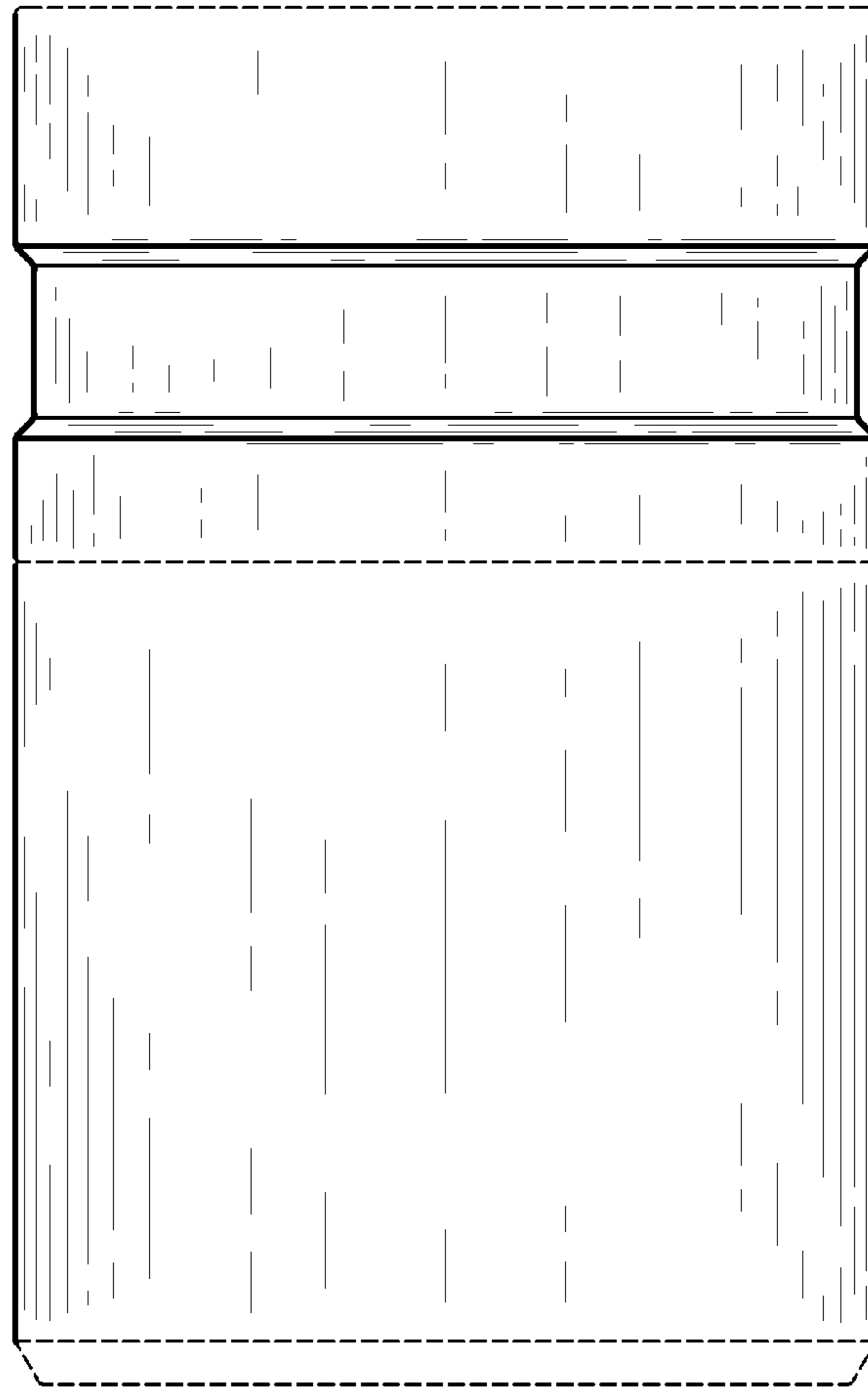


Fig. 5

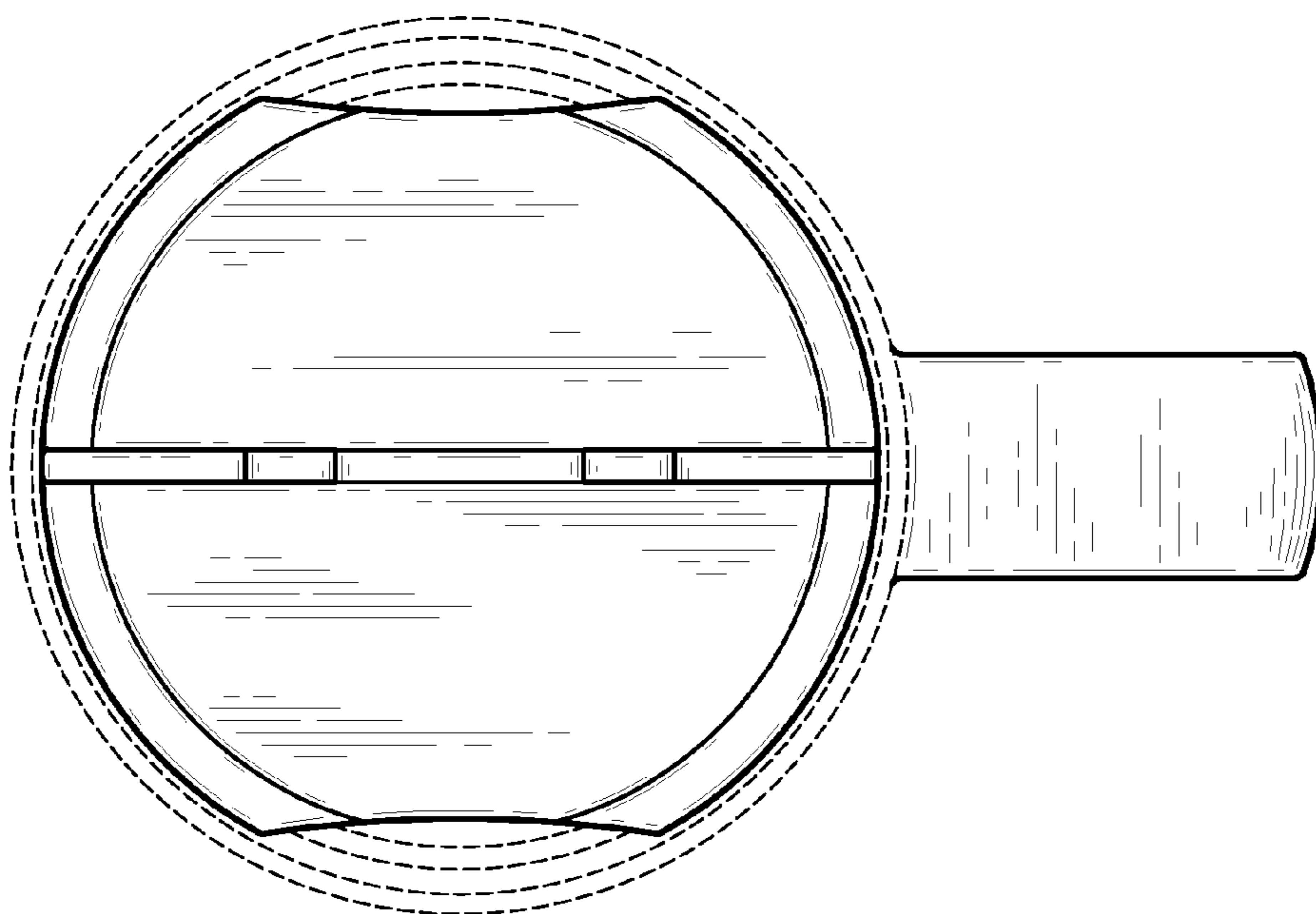


Fig. 6

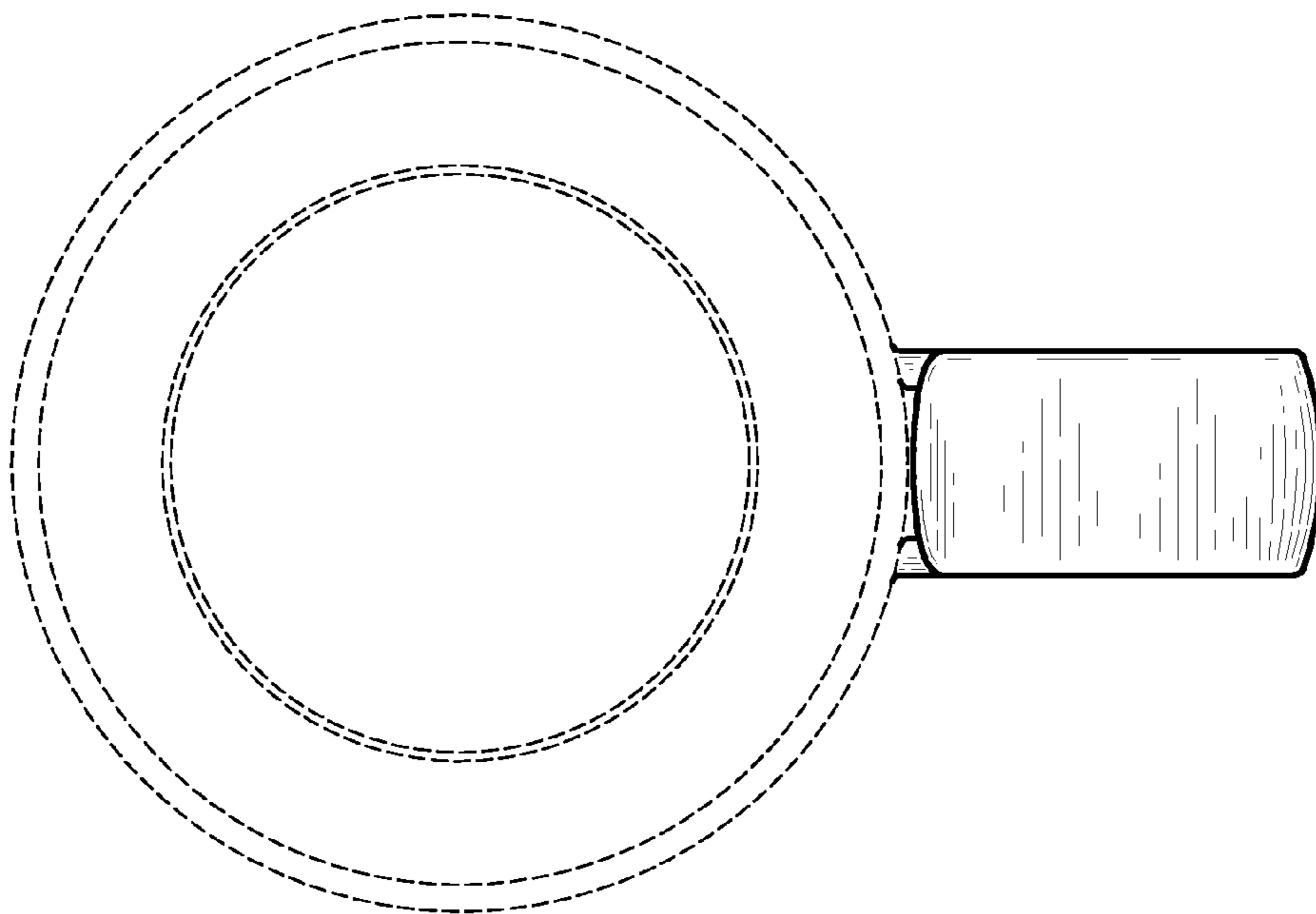


Fig. 7