

US00D656356S

(12) **United States Design Patent**  
**Cheng**

(10) **Patent No.:** **US D656,356 S**  
(45) **Date of Patent:** **\*\* Mar. 27, 2012**

(54) **PILLOW**

(76) Inventor: **Tom Kwok-Yung Cheng**, Rowland Heights, CA (US)

(\*\*) Term: **14 Years**

(21) Appl. No.: **29/386,198**

(22) Filed: **Feb. 25, 2011**

(51) **LOC (9) Cl.** ..... **06-09**

(52) **U.S. Cl.** ..... **D6/601**

(58) **Field of Classification Search** ..... D6/595,  
D6/596, 601, 597; 5/417-420, 636, 638,  
5/646, 647, 652, 652.1, 653, 655, 655.9,  
5/656, 690

See application file for complete search history.

(56) **References Cited**

**U.S. PATENT DOCUMENTS**

1,742,186 A \* 1/1930 Claus ..... 5/653  
2,483,222 A \* 9/1949 Moss ..... 5/653  
4,193,150 A \* 3/1980 Vineberg ..... 5/632

D284,436 S \* 7/1986 Hodges ..... D6/601  
6,230,350 B1 \* 5/2001 Goldstein ..... 5/638  
D592,753 S \* 5/2009 Jacinto ..... D24/183

\* cited by examiner

*Primary Examiner* — Janice Seeger

(74) *Attorney, Agent, or Firm* — Notaro, Michalos & Zaccaria P.C.

(57) **CLAIM**

The ornamental design for a pillow, as shown and described.

**DESCRIPTION**

FIG. 1 is a front, top, left, perspective view of a pillow of my invention;

FIG. 2 is a top plan view thereof;

FIG. 3 is a front elevational view thereof;

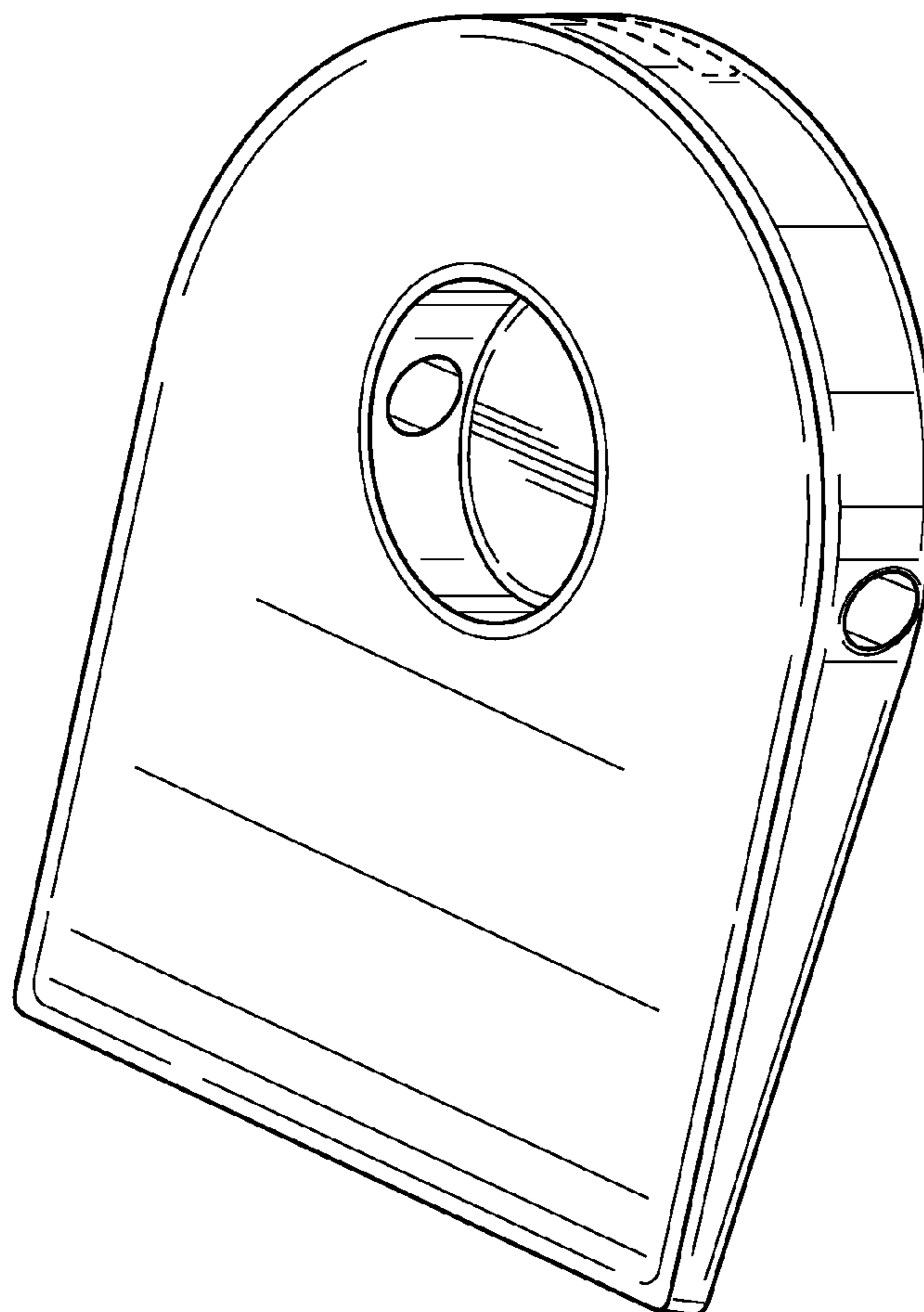
FIG. 4 is a right side elevational view thereof;

FIG. 5 is a left side elevational view thereof;

FIG. 6 is a rear elevational view thereof, with parts shown in broken line being environment and forming no part of the design; and,

FIG. 7 is a bottom plan view thereof.

**1 Claim, 4 Drawing Sheets**



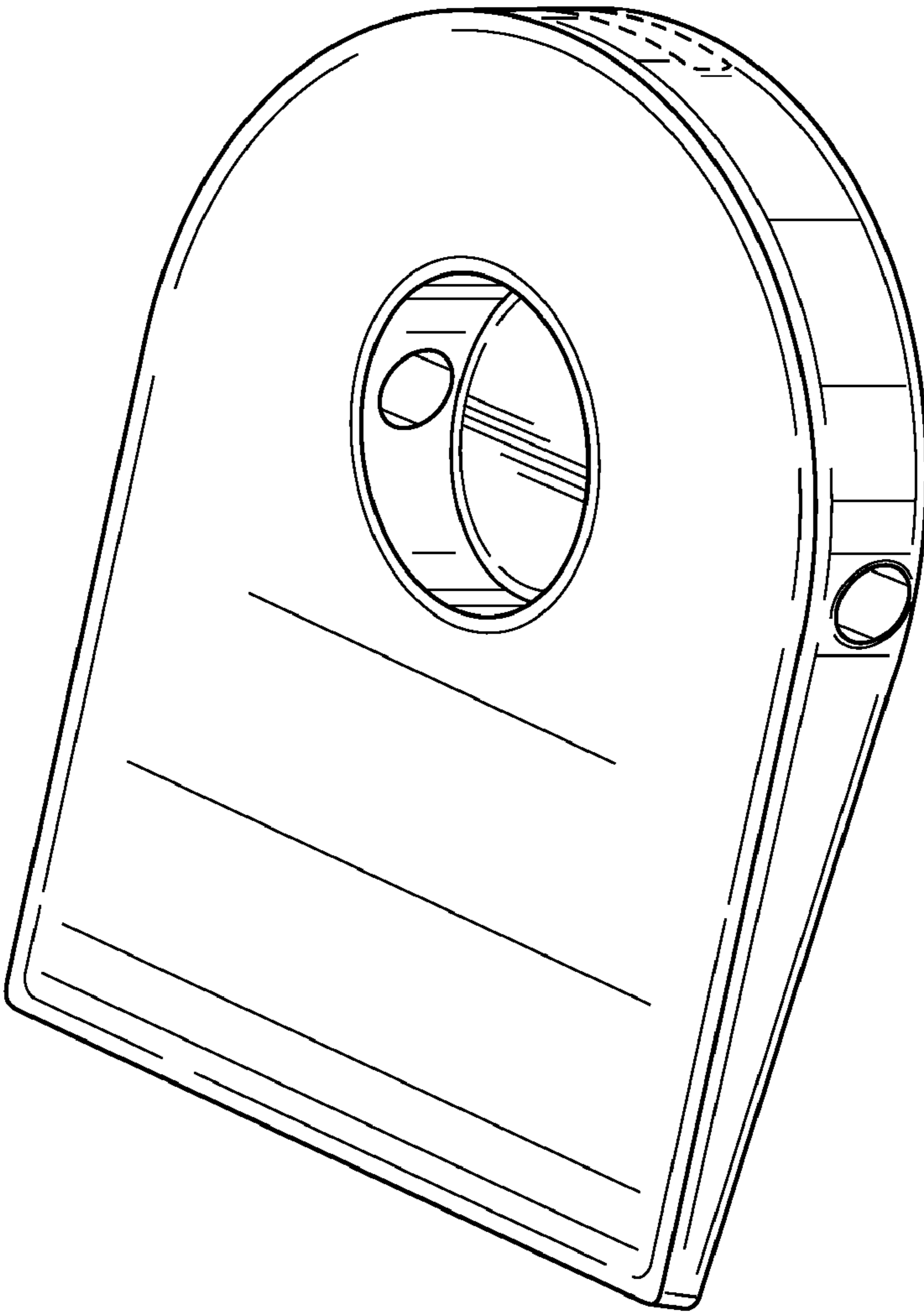


FIG. 1

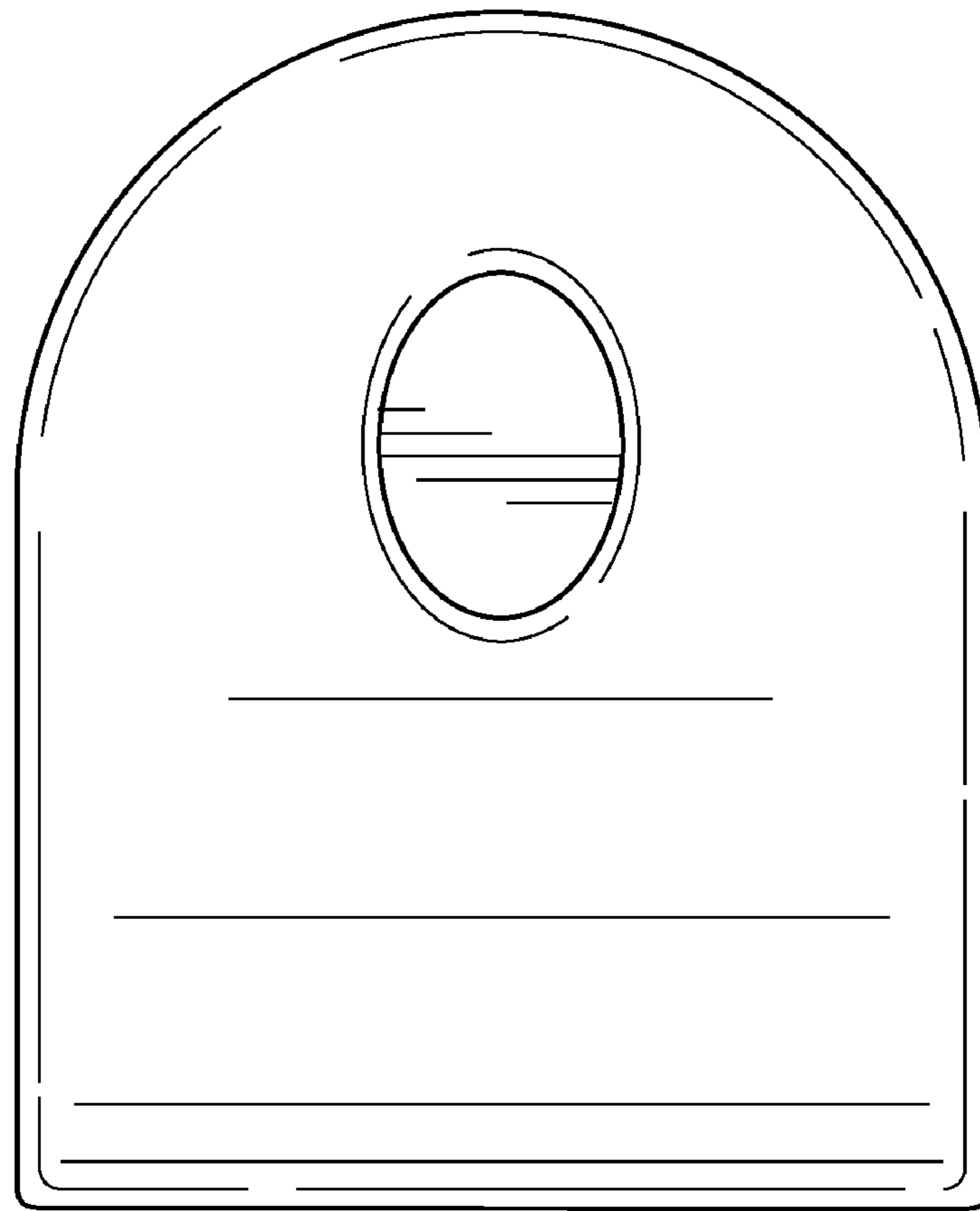


FIG. 2

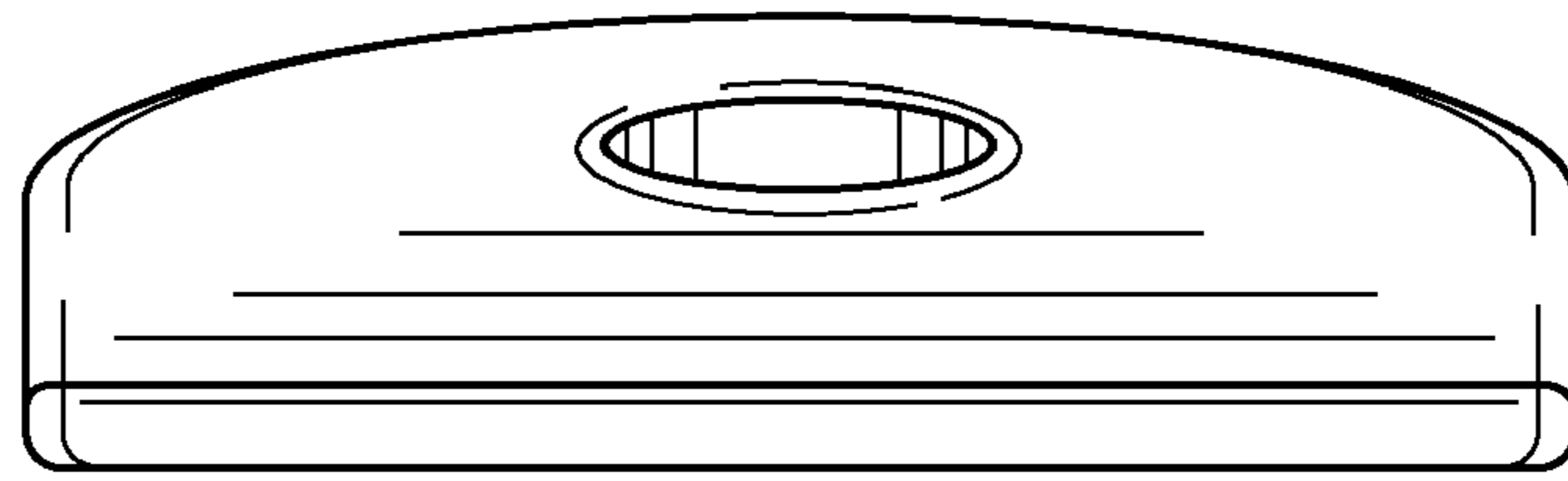


FIG. 3

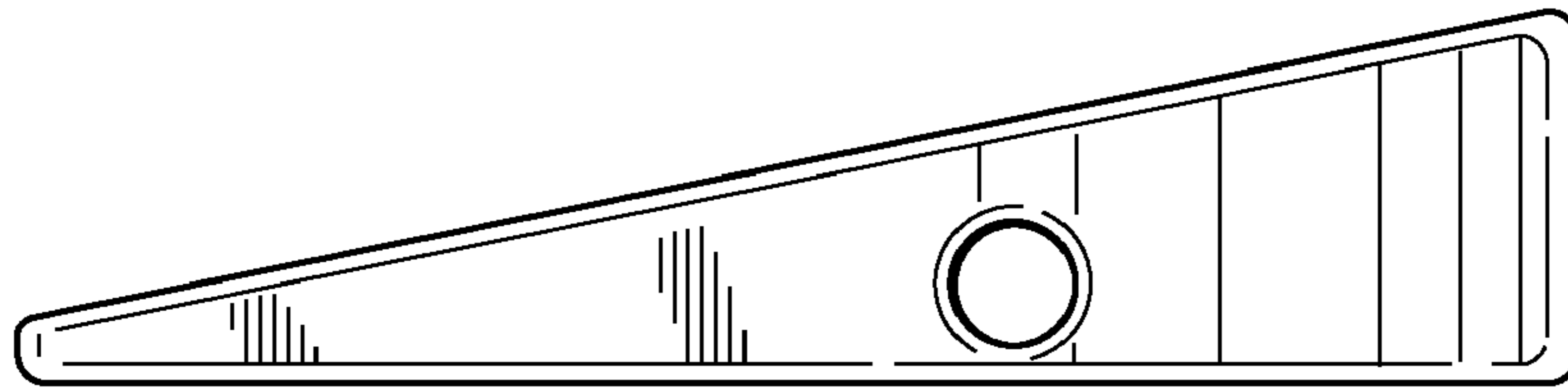


FIG. 4

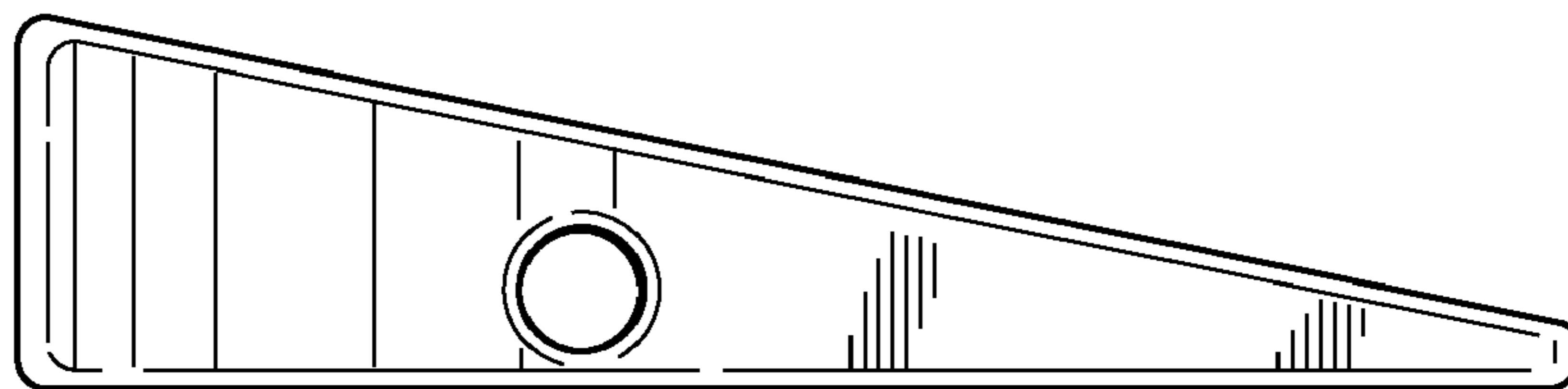


FIG. 5

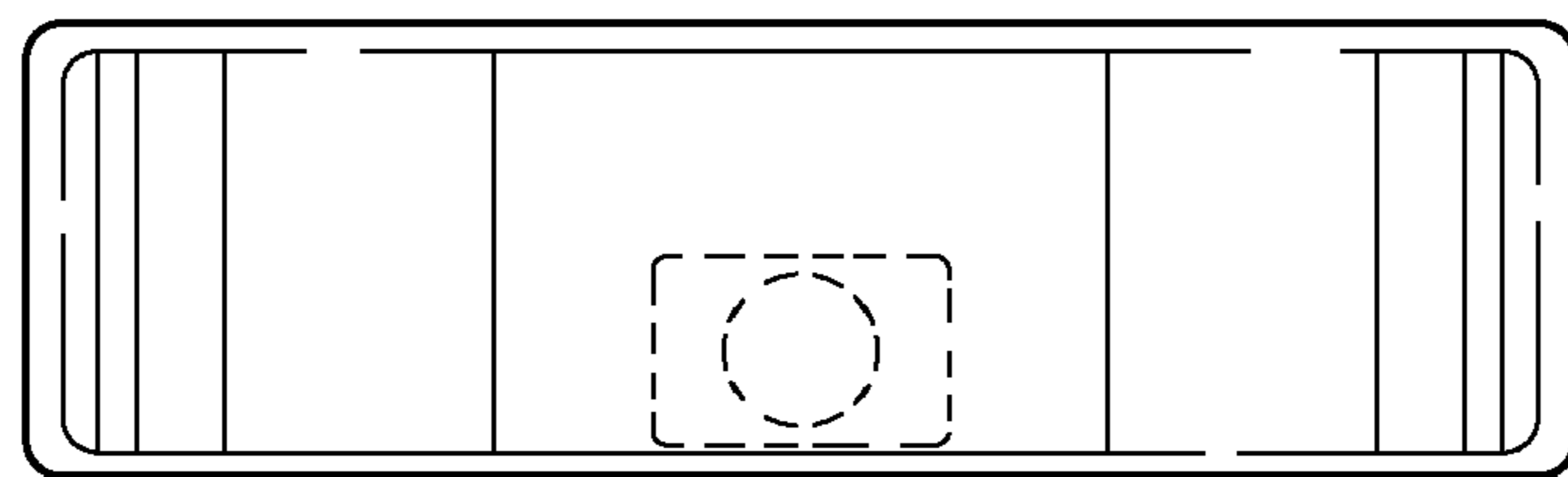


FIG. 6

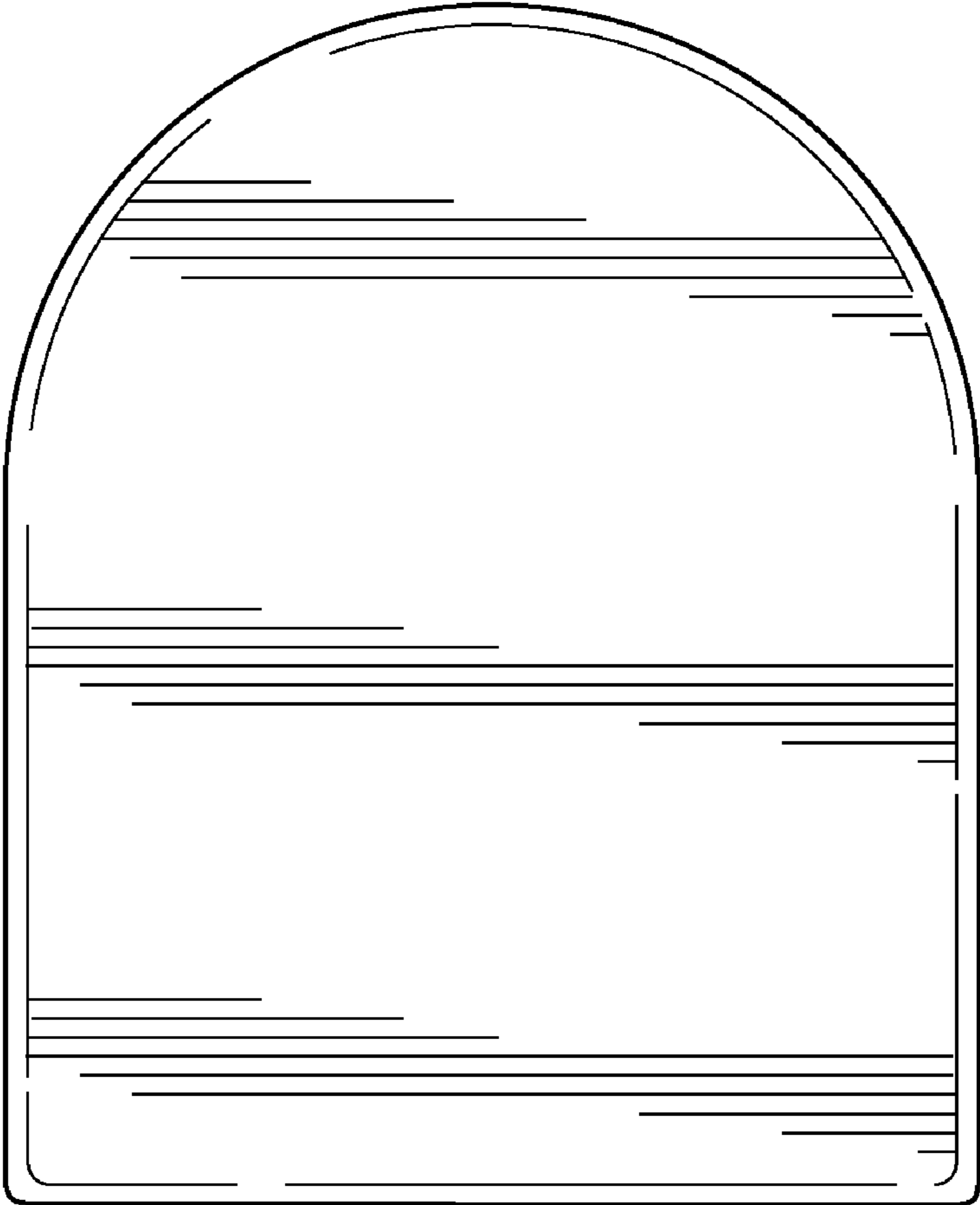


FIG. 7