



US00D656352S

(12) **United States Design Patent**
Berdugo Adler et al.

(10) **Patent No.:** **US D656,352 S**
(45) **Date of Patent:** **** Mar. 27, 2012**

(54) **WALL MOUNTED DISPENSER**
(75) Inventors: **Joelle Berdugo Adler**, Hampstead (CA);
Michael Llewellyn Coleman, Pompano
Beach, FL (US); **Mitchell Litwin**,
Notre-Dame-de-Grâce (CA)

D496,202 S * 9/2004 Hansen D6/545
D597,356 S * 8/2009 Storz D6/545
D604,545 S * 11/2009 Law et al. D6/545
D616,683 S * 6/2010 Law et al. D6/545
D639,591 S * 6/2011 Wallace D6/545

* cited by examiner

(73) Assignee: **7225059 Canada Inc.**, Montreal,
Quebec (CA)

Primary Examiner — Brian N Vinson

(74) *Attorney, Agent, or Firm* — Ladas & Parry LLP

(**) Term: **14 Years**

(57) **CLAIM**

The ornamental design for a wall mounted dispenser, as shown and described.

(21) Appl. No.: **29/376,793**

DESCRIPTION

(22) Filed: **Oct. 12, 2010**

(51) **LOC (9) Cl.** **23-02**

(52) **U.S. Cl.** **D6/546**

(58) **Field of Classification Search** D6/542-545;
221/208, 282, 283; 222/105, 173, 180, 181.1,
222/181.2, 181.3

See application file for complete search history.

FIG. 1 is a front, left perspective view of the wall mounted dispenser in accordance with our new design;
FIG. 2 is a front view of the dispenser of FIG. 1;
FIG. 3 is a top plan view of the dispenser of FIG. 1;
FIG. 4 is a bottom plan view of the dispenser of FIG. 1;
FIG. 5 is a right side view of the dispenser of FIG. 1;
FIG. 6 is a left side view of the dispenser of FIG. 1; and,
FIG. 7 is a rear view of the dispenser of the FIGS. 1.

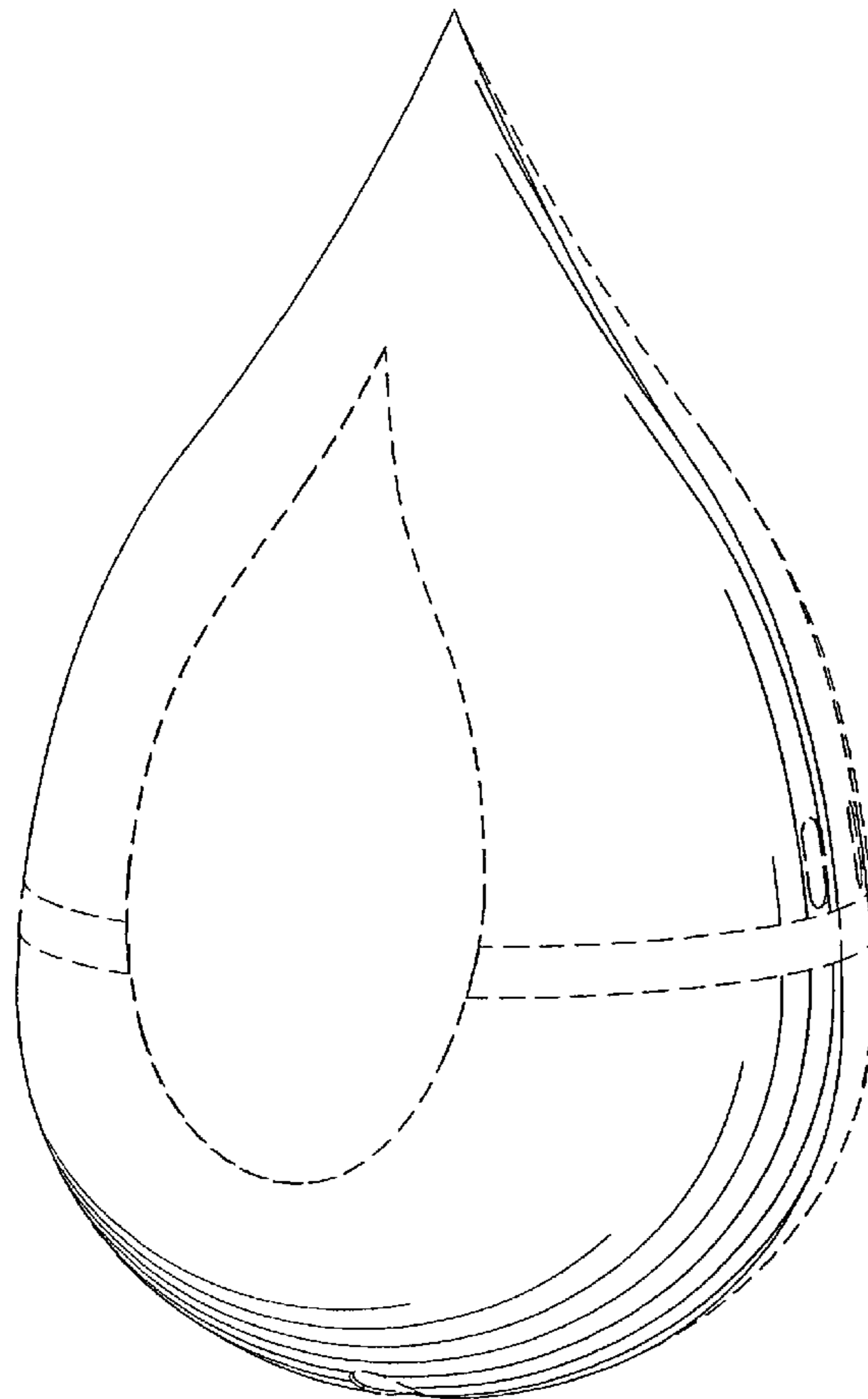
The broken lines shown in the Figures are for the purpose of illustration only and form no part of the design.

(56) **References Cited**

U.S. PATENT DOCUMENTS

D457,026 S * 5/2002 Chen D6/545
D471,046 S * 3/2003 Hagemann et al. D6/545

1 Claim, 6 Drawing Sheets



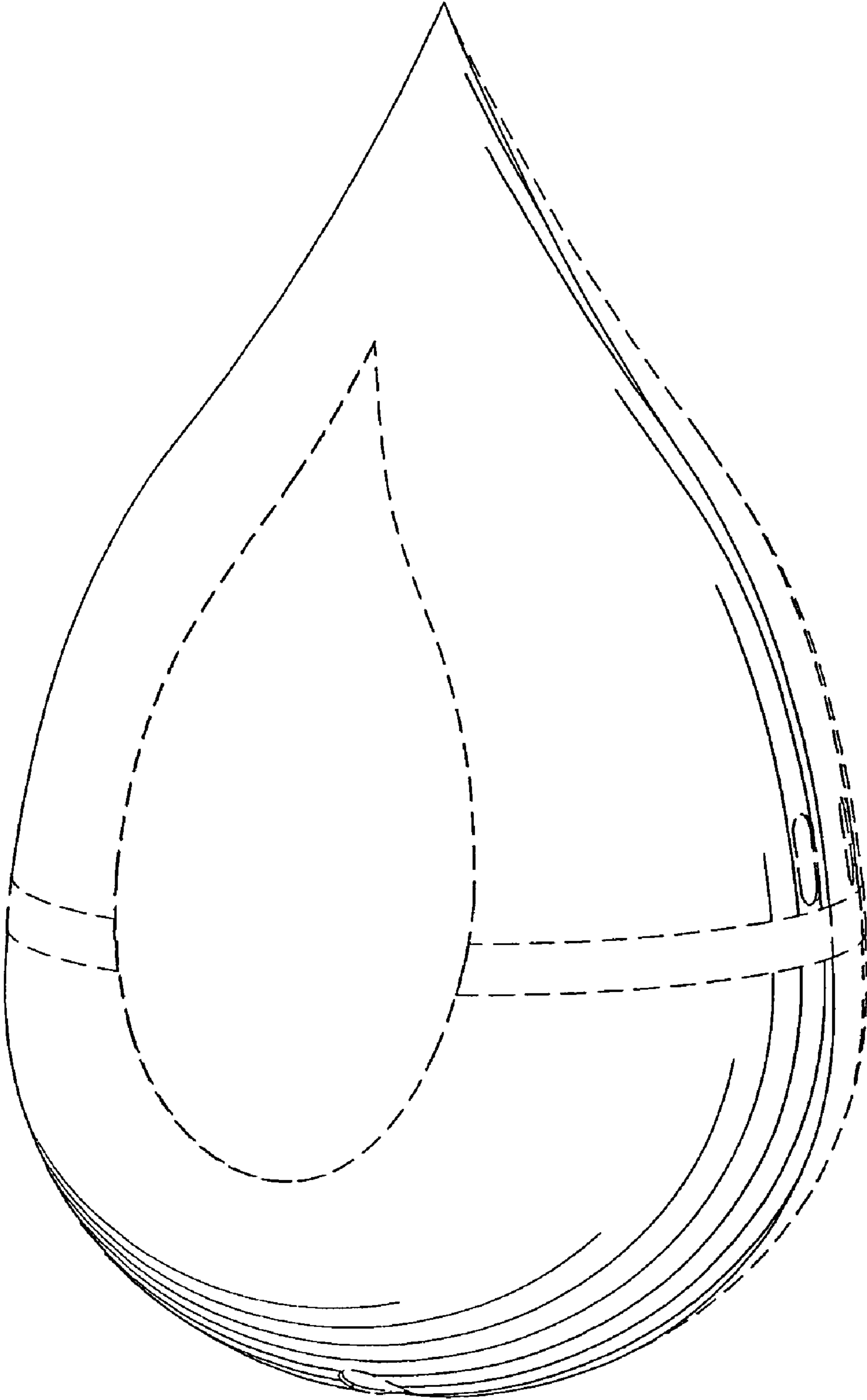


FIG. 1

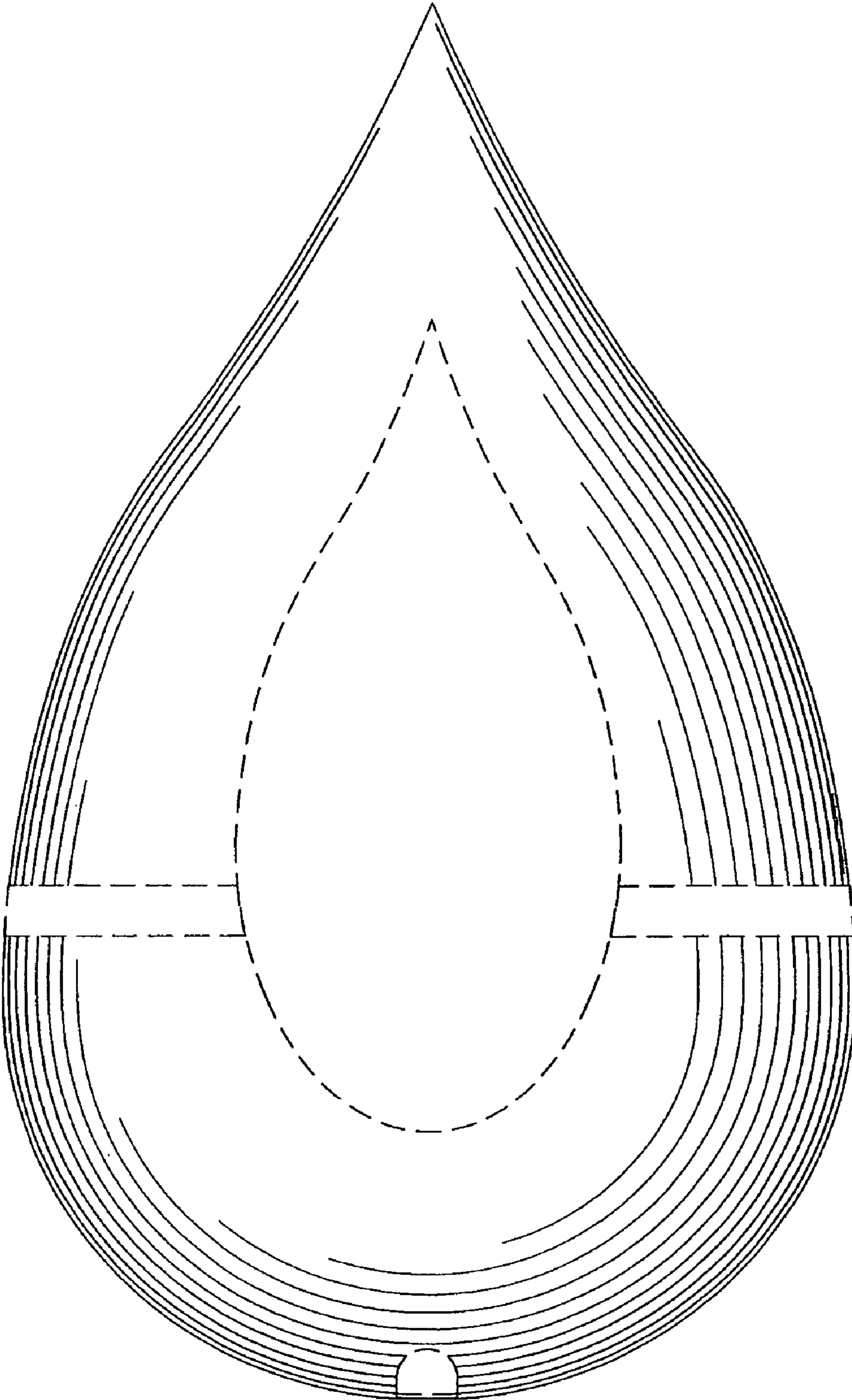


FIG. 2

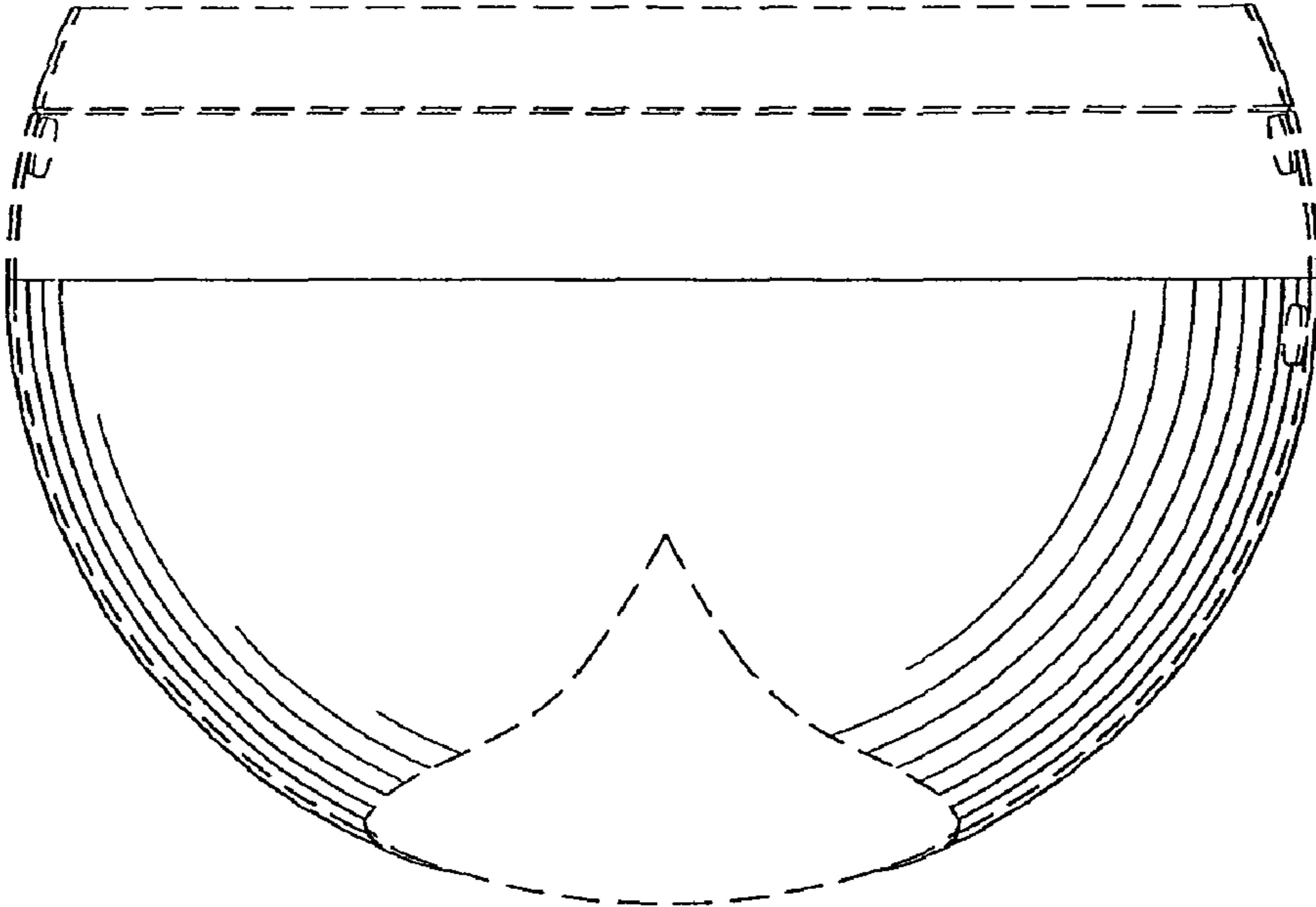


FIG. 3

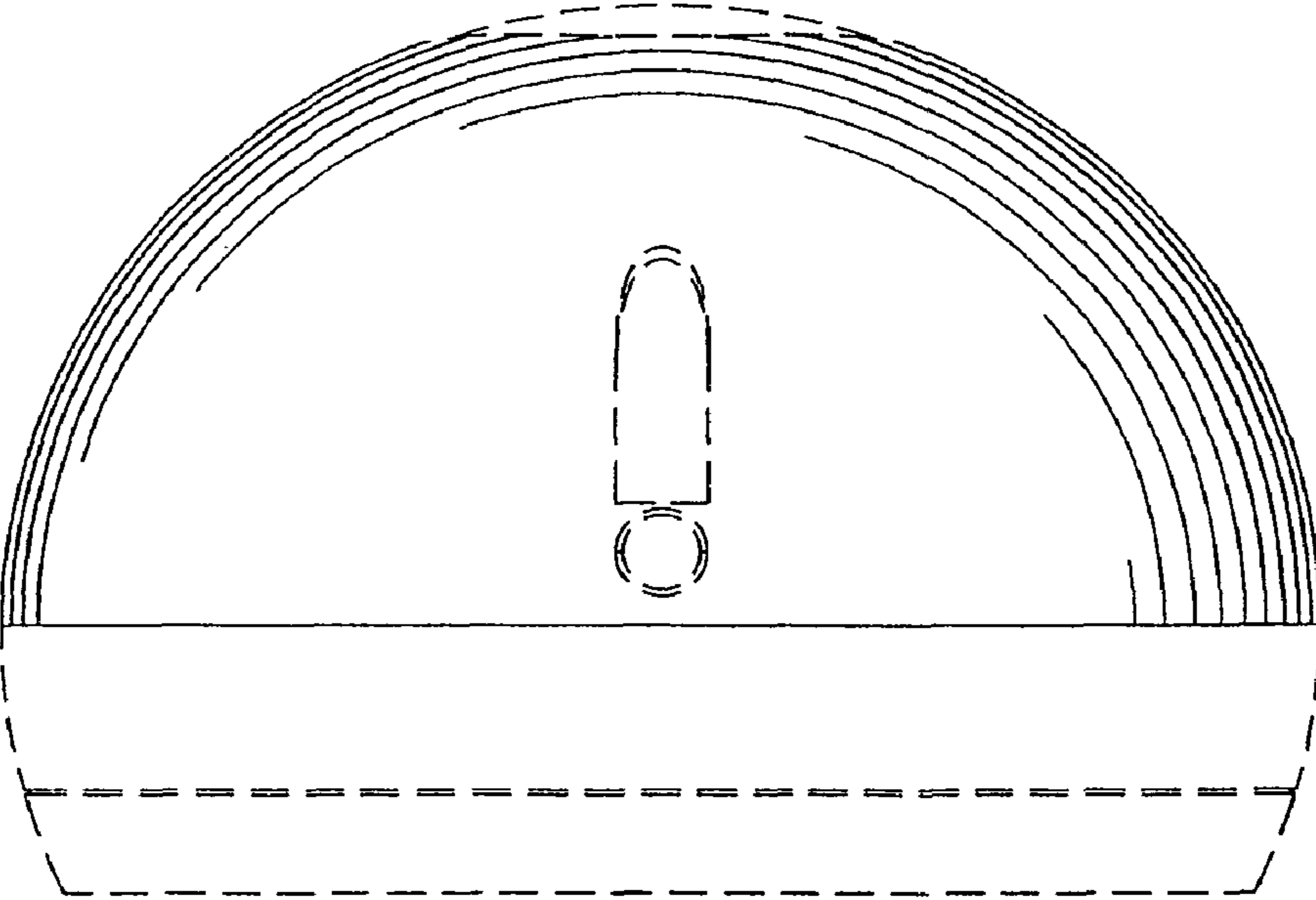


FIG. 4

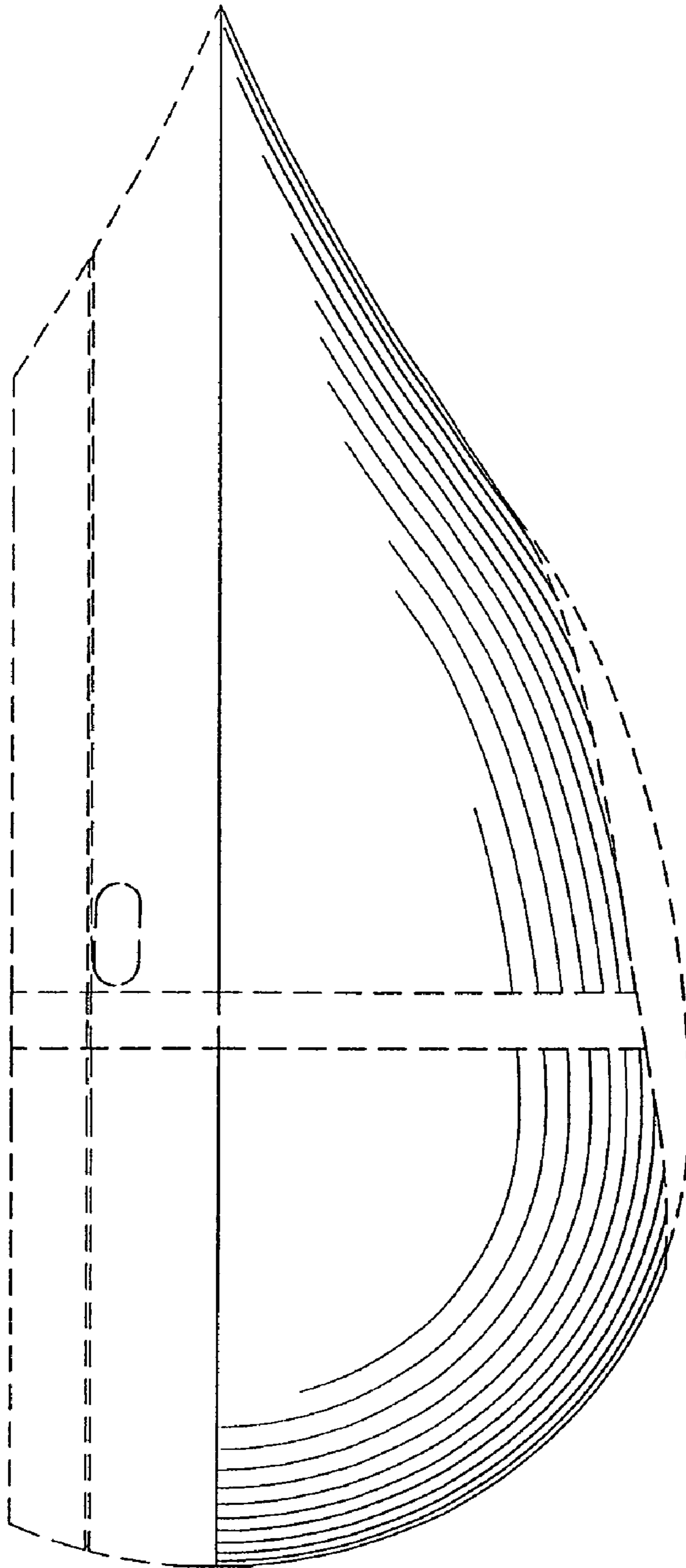


FIG. 5

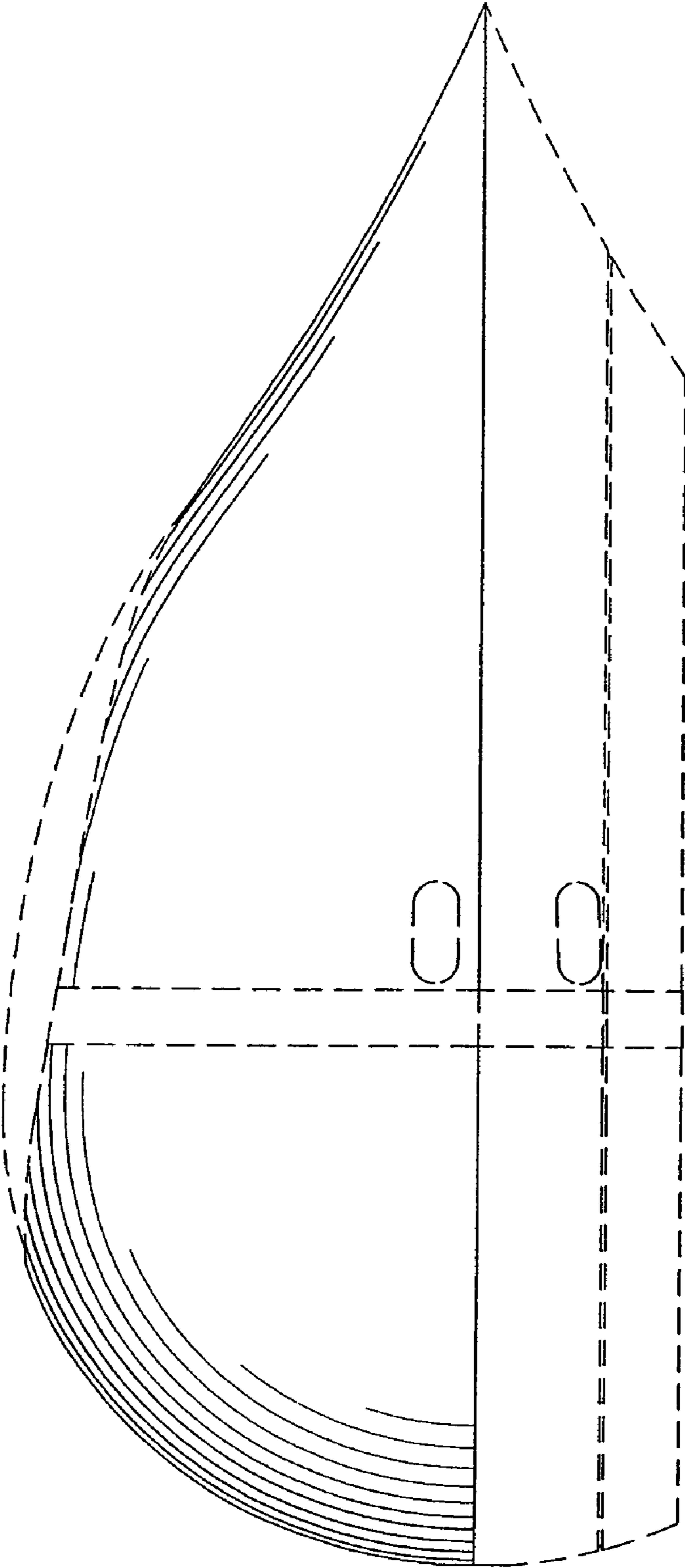


FIG. 6

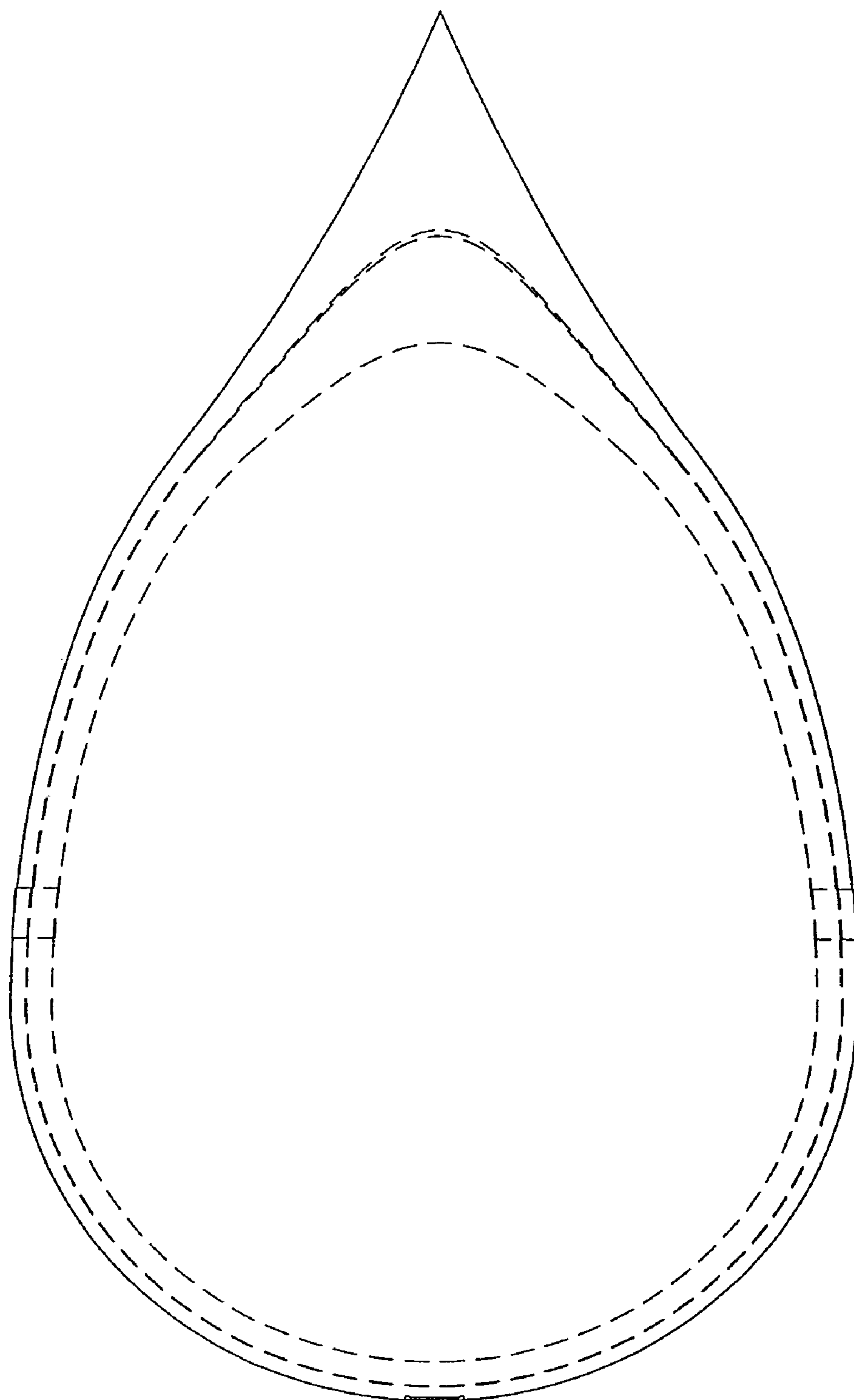


FIG. 7