



US00D656349S

(12) **United States Design Patent**  
**Sedwick**

(10) **Patent No.:** **US D656,349 S**  
(45) **Date of Patent:** **\*\* Mar. 27, 2012**

- (54) **ACCESSORY POST**
- (75) Inventor: **Jennifer P. Sedwick**, Lakewood, OH (US)
- (73) Assignee: **Moen Incorporated**, North Olmsted, OH (US)
- (\*\*) Term: **14 Years**
- (21) Appl. No.: **29/401,677**
- (22) Filed: **Sep. 14, 2011**
- (51) **LOC (9) Cl.** ..... **23-02**
- (52) **U.S. Cl.** ..... **D6/524; D6/550**
- (58) **Field of Classification Search** ..... D6/518–524, D6/546–550; D8/300, 370, 315; 108/28–29; 211/13.1, 16, 85.5, 86.01, 87.01, 88.04, 100, 211/105.1, 105.2, 106, 113, 123, 181.1, 182–183; 248/49, 175, 176.1, 200, 201, 205.1, 251, 248/302, 309.1, 315; 242/570, 590, 595–598  
See application file for complete search history.

D547,165 S	7/2007	Barrese	
D570,962 S	6/2008	Dolan	
D575,565 S	8/2008	Gilbert	
D577,937 S *	10/2008	Krumpe	D6/524
D579,529 S	10/2008	Bickler et al.	
D582,015 S	12/2008	Yuan	
D596,716 S	7/2009	Haug et al.	
D597,634 S	8/2009	Haug et al.	
D600,056 S *	9/2009	Coronado Careaga	D6/524
D600,479 S *	9/2009	Gao	D6/524
D604,075 S	11/2009	Chen	
D609,515 S *	2/2010	Krumpe	D6/550
D616,682 S *	6/2010	Gilbert	D6/524
D619,222 S	7/2010	Smith et al.	
D633,737 S *	3/2011	Gilbert	D6/524

\* cited by examiner

*Primary Examiner* — Brian N Vinson

(74) *Attorney, Agent, or Firm* — Calfee, Halter & Griswold LLP

(57) **CLAIM**

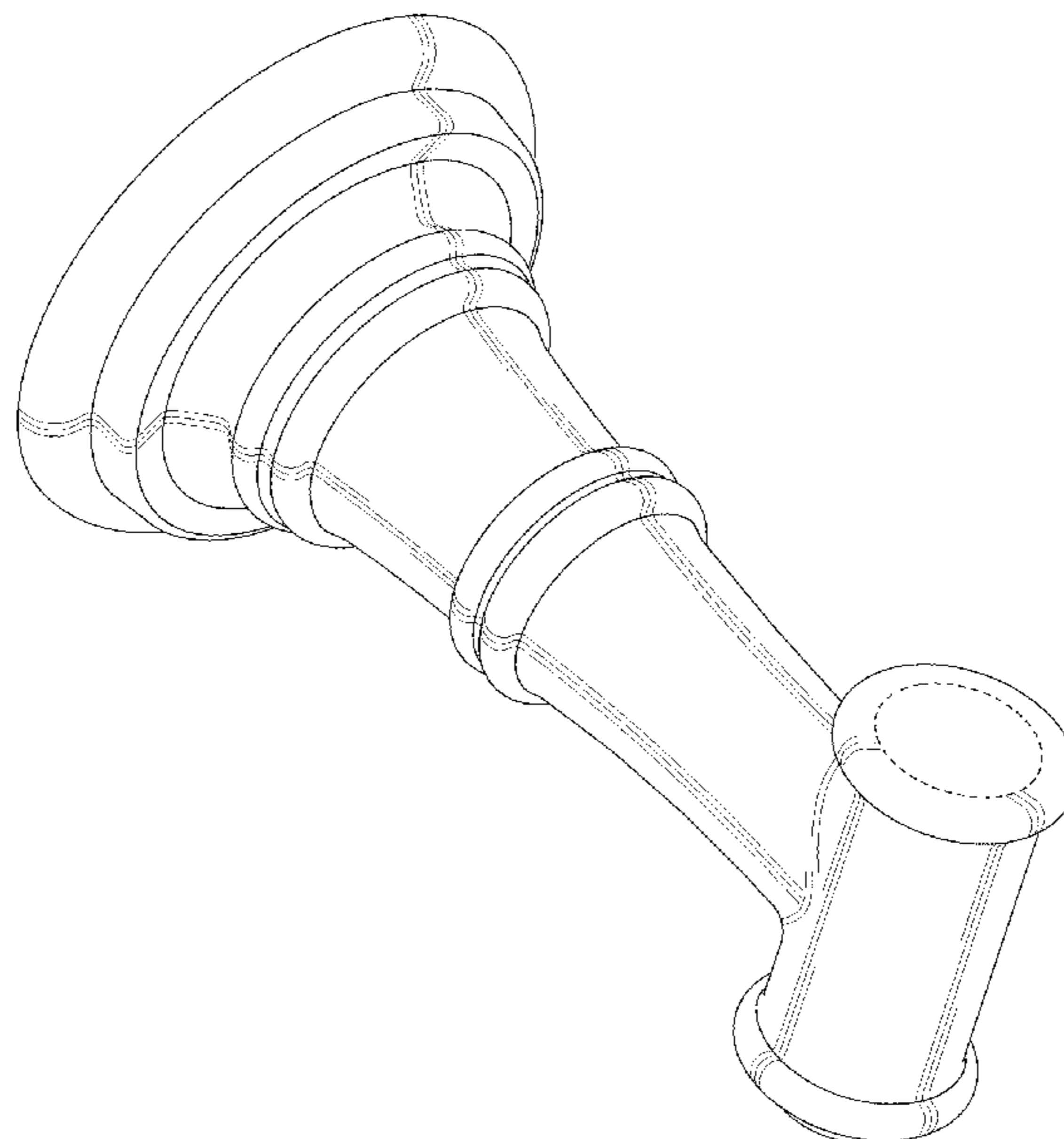
The ornamental design for an accessory post, as shown and described.

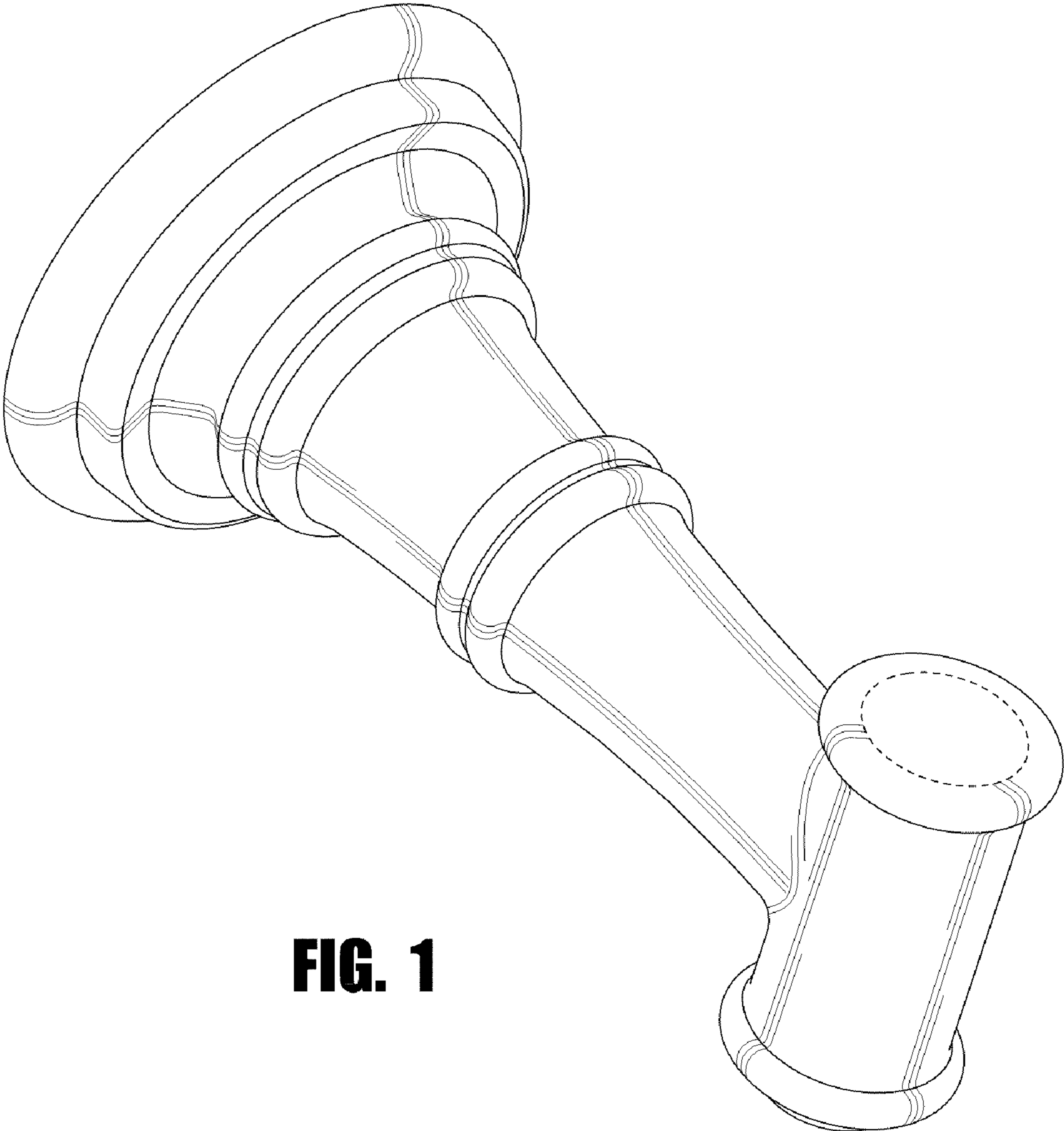
**DESCRIPTION**

FIG. 1 is a perspective view of an accessory post of the new design;  
 FIG. 2 is a front elevational view of the accessory post of FIG. 1;  
 FIG. 3 is a left side elevational view of the accessory post of FIG. 1;  
 FIG. 4 is a right side elevational view of the accessory post of FIG. 1; and,  
 FIG. 5 is a top plan view of the accessory post of FIG. 1, the bottom plan view being a mirror image thereof.  
 The portions of the Figures shown in broken lines are not part of the claimed design and are for illustration only.

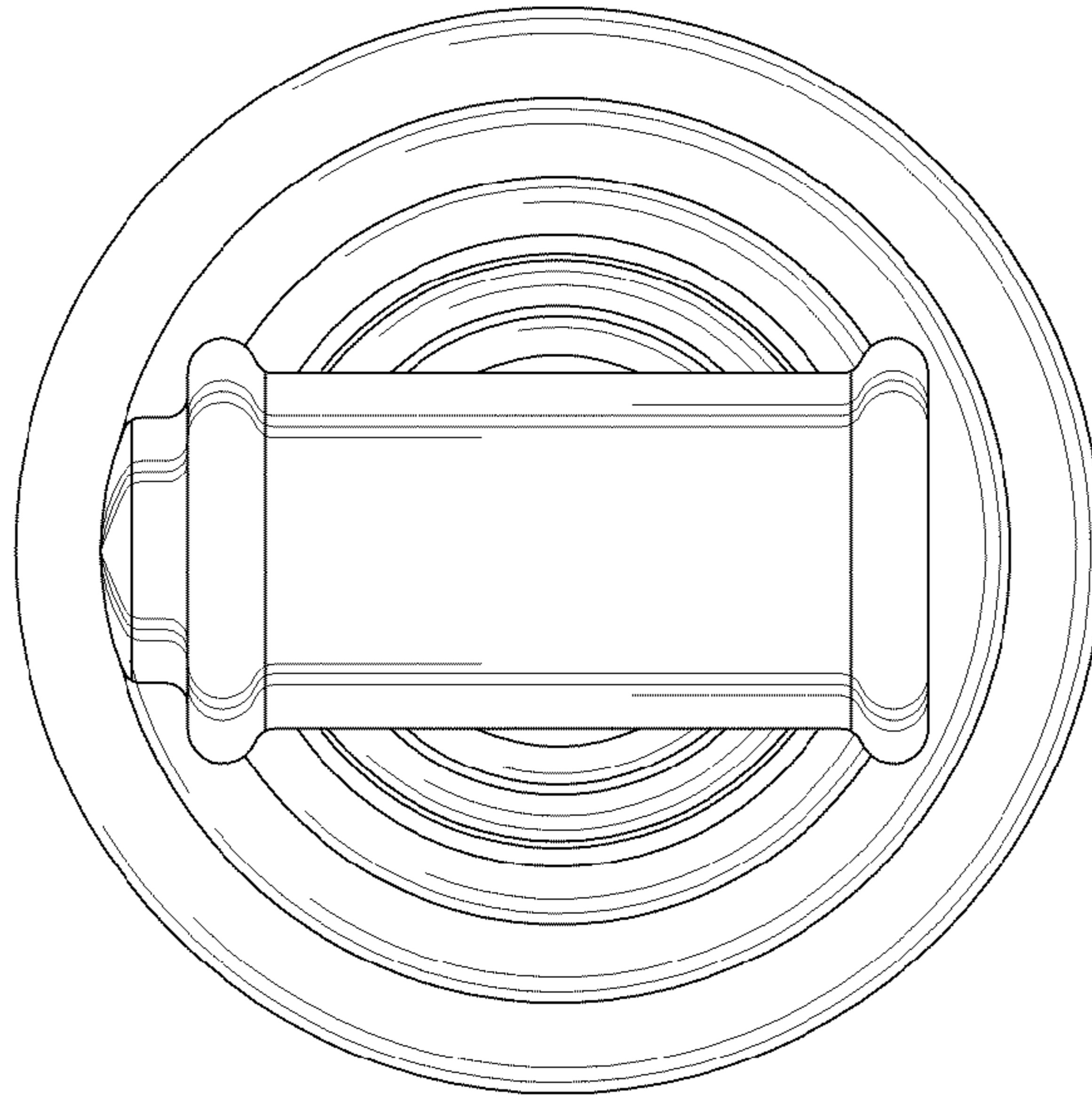
**1 Claim, 3 Drawing Sheets**

- (56) **References Cited**
- U.S. PATENT DOCUMENTS
- 2,542,941 A 2/1951 Post
- D332,824 S 1/1993 Robbins
- D371,826 S 7/1996 Robbins
- D375,149 S 10/1996 Robbins
- D392,138 S 3/1998 Wu
- D427,471 S 7/2000 Chen
- D454,457 S 3/2002 Ou-Young
- D466,348 S 12/2002 Yen
- D466,737 S 12/2002 Tai
- D483,440 S 12/2003 Smith
- D493,315 S 7/2004 Gilbert
- D498,290 S 11/2004 Egee
- D514,203 S 1/2006 Kulig
- D520,789 S 5/2006 Zhu et al.

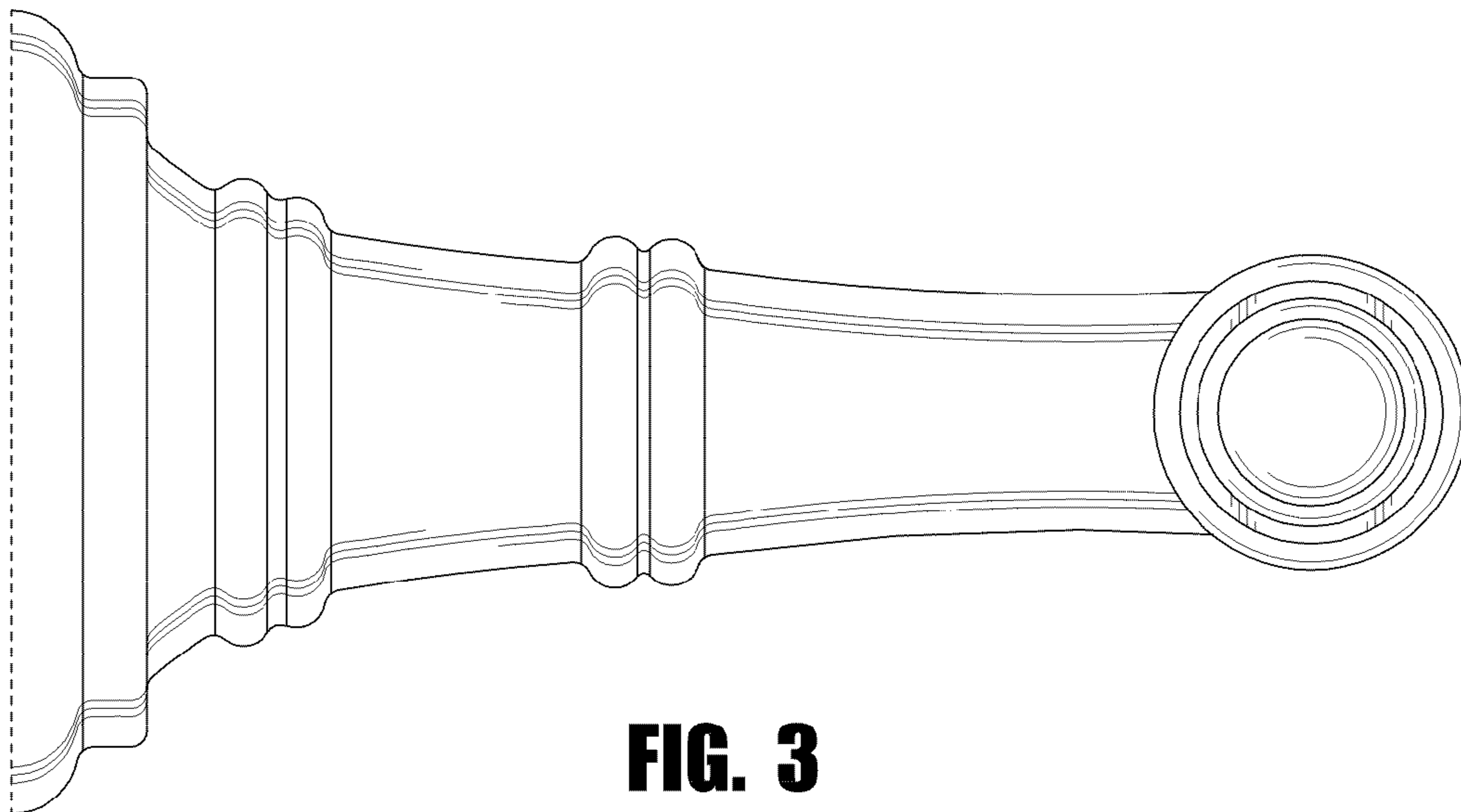




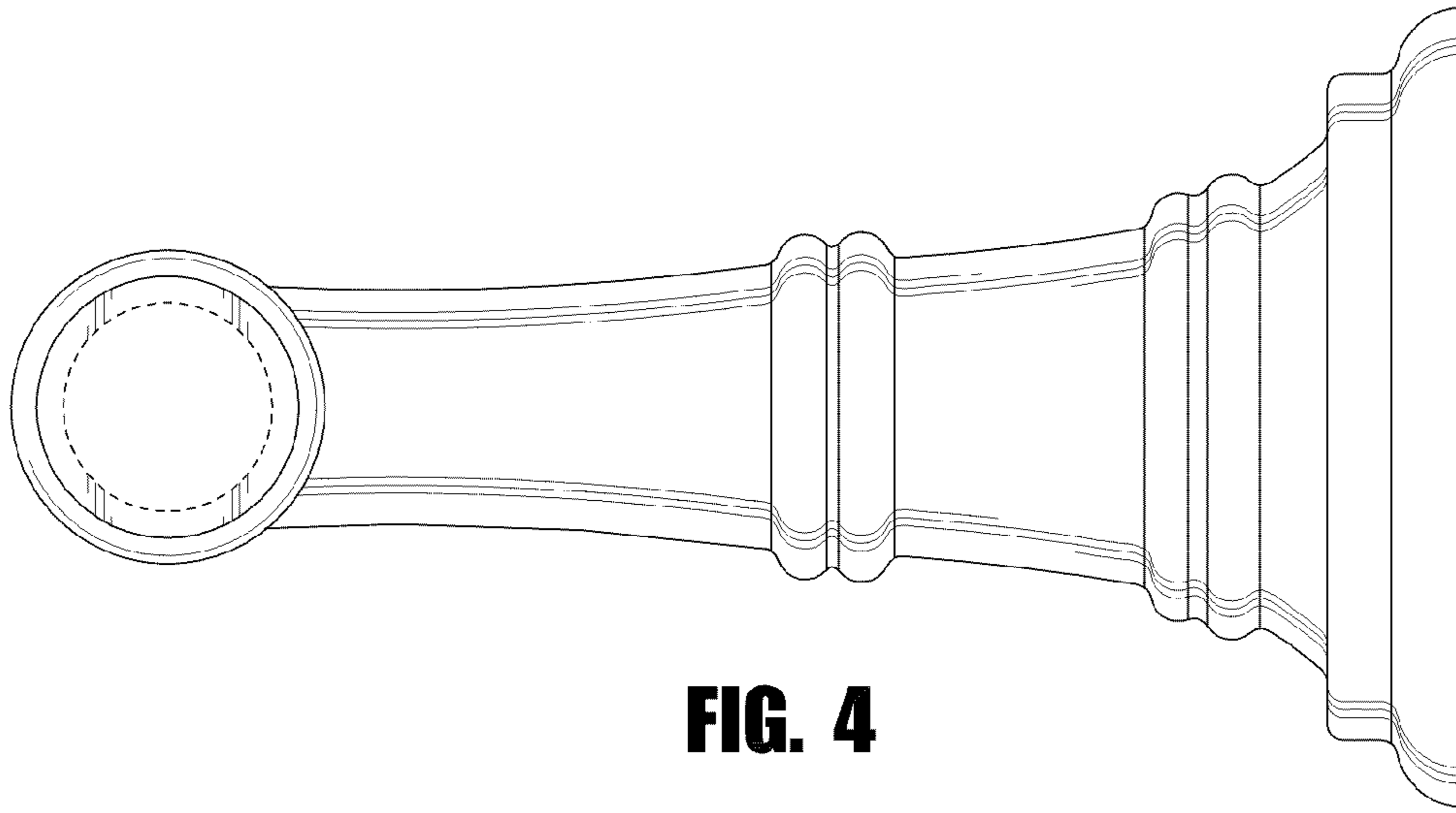
**FIG. 1**



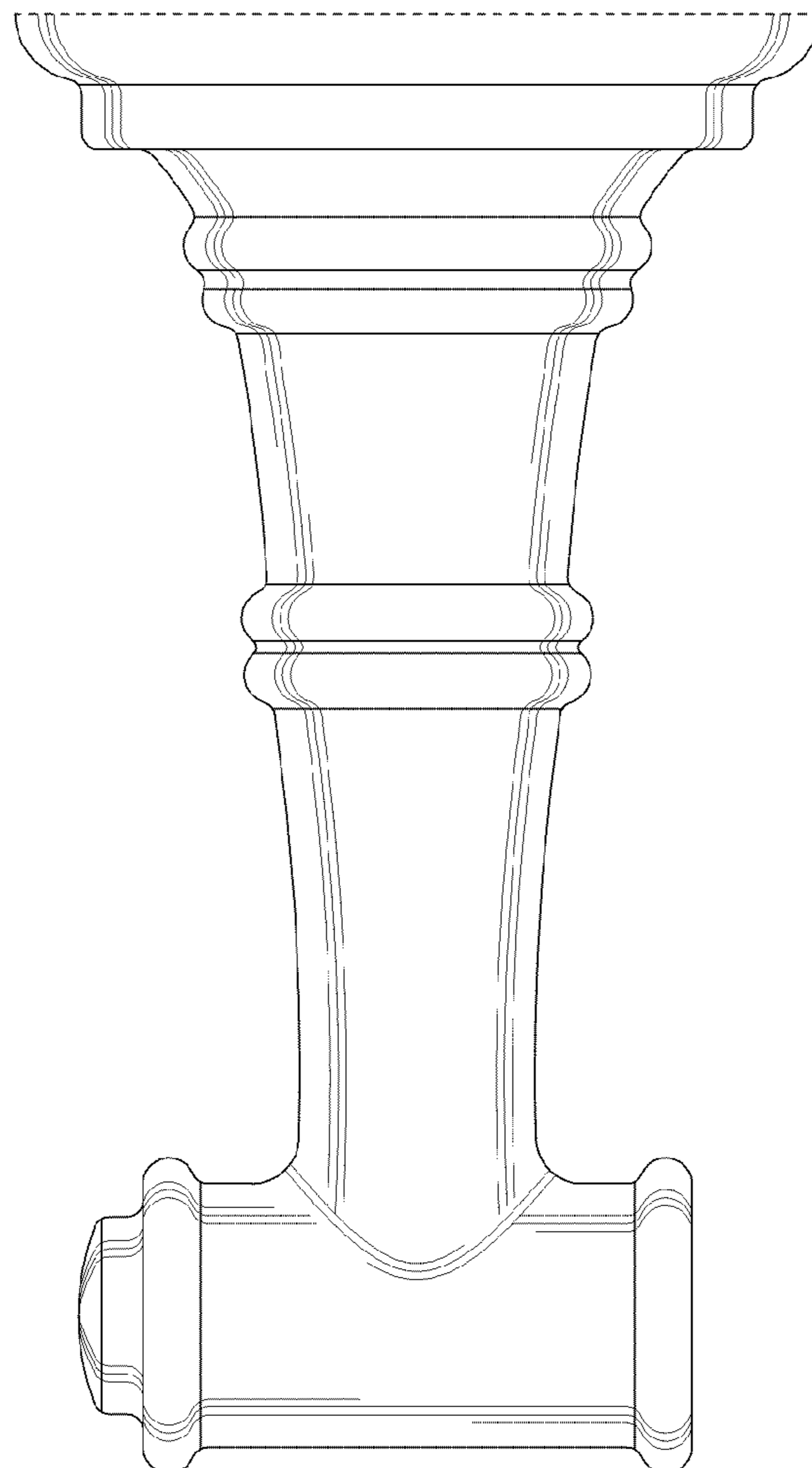
**FIG. 2**



**FIG. 3**



**FIG. 4**



**FIG. 5**