



US00D656348S

(12) **United States Design Patent**  
**Velazquez et al.**

(10) **Patent No.:** **US D656,348 S**  
(45) **Date of Patent:** **\*\* Mar. 27, 2012**

- (54) **ROLLED TISSUE DISPENSER**
- (75) Inventors: **Herb Flores Velazquez**, Alpharetta, GA (US); **Paul Francis Tramontina**, Harleysville, PA (US); **Benjamin David Stephens**, Atlanta, GA (US)
- (73) Assignee: **Kimberly-Clark Worldwide, Inc.**, Neenah, WI (US)

D619,836 S \* 7/2010 Kim ..... D6/518  
 D623,452 S \* 9/2010 McNeely et al. .... D6/518  
 D641,578 S \* 7/2011 Meyerhoffer ..... D6/518

(\*\*) Term: **14 Years**

(21) Appl. No.: **29/403,017**

(22) Filed: **Sep. 30, 2011**

(51) **LOC (9) Cl.** ..... **23-02**

(52) **U.S. Cl.** ..... **D6/523**

(58) **Field of Classification Search** ..... D6/542-545,  
 D6/553, 567, 574, 515-525; 206/77.1; 211/13.1,  
 211/86.01, 87.01; 221/14, 92, 649, 146.1,  
 221/146.2, 105; 222/281-282; D23/225;  
 D8/349, 354, 363, 373, 394; D24/155

See application file for complete search history.

(56) **References Cited**

**U.S. PATENT DOCUMENTS**

D337,227 S \* 7/1993 Giugiaro ..... D6/518  
 D391,104 S \* 2/1998 Tramontina ..... D6/518  
 D408,184 S \* 4/1999 Tramontina ..... D6/518  
 D447,373 S \* 9/2001 Fisscher ..... D6/518

**OTHER PUBLICATIONS**

Co-pending U.S. Appl. No. 29/403,023 filed Sep. 30, 2011, by Velazquez et al. for "A Rolled Towel Dispenser."  
 Co-pending U.S. Appl. No. 29/403,025 filed Sep. 30, 2011, by Velazquez et al. for "Rolled Towel Dispenser."

\* cited by examiner

*Primary Examiner* — Brian N Vinson

(74) *Attorney, Agent, or Firm* — Nancy M. Klembus; Ralph H. Dean, Jr.

(57) **CLAIM**

We claim the ornamental design for the rolled tissue dispenser, as shown and described.

**DESCRIPTION**

FIG. 1 is a front-side perspective view of the rolled tissue dispenser, showing the design.

FIG. 2 is a front-side view of the rolled tissue dispenser.

FIG. 3 is a left side view of the rolled tissue dispenser.

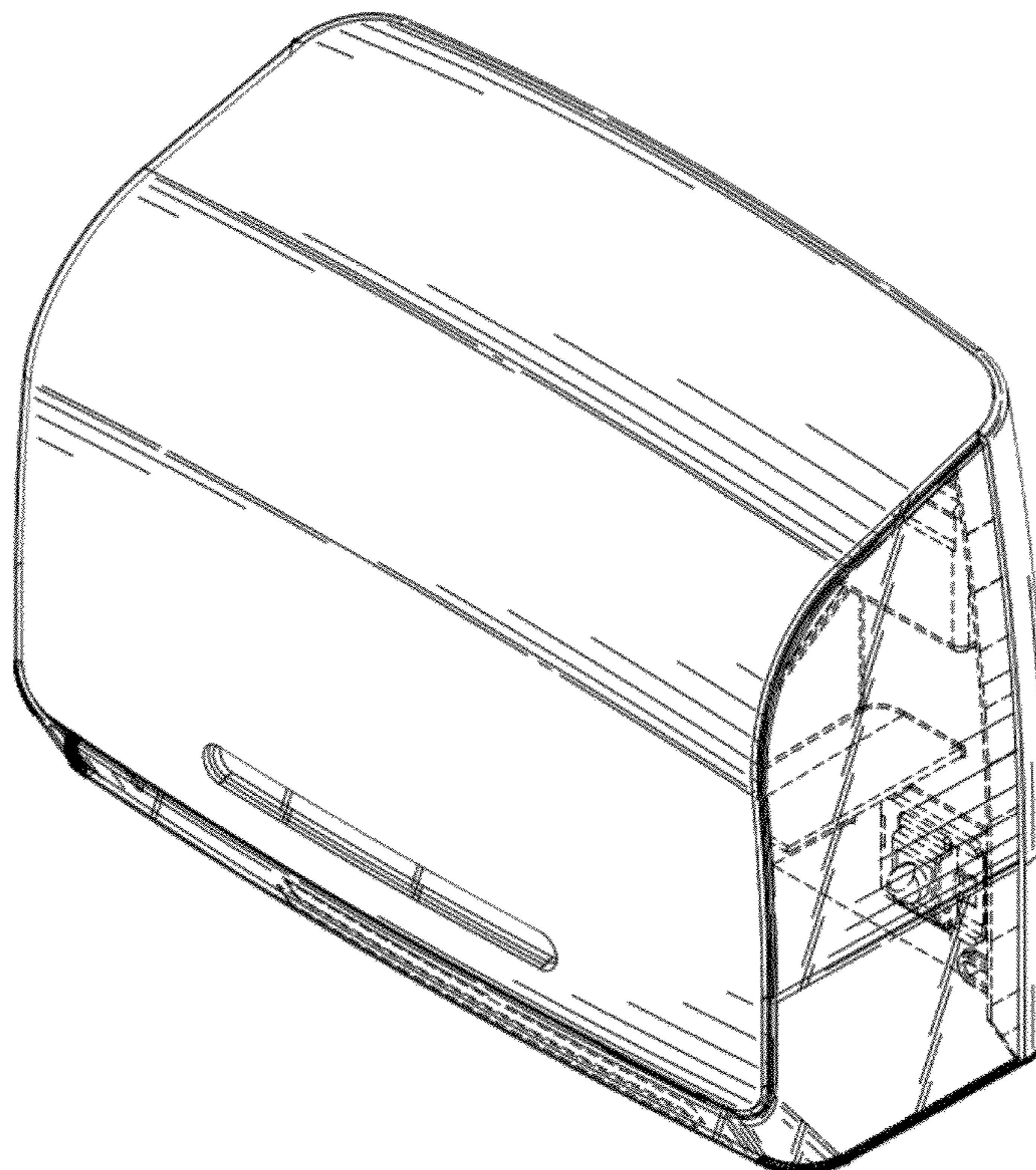
FIG. 4 is a back view of the rolled tissue dispenser.

FIG. 5 is a right-side view of the rolled tissue dispenser; and,

FIG. 6 is a top-side view of the rolled tissue dispenser.

The broken-line disclosure in the views is understood to represent portions of the article in which the claimed design is embodied, but which form no part of the claimed design.

**1 Claim, 5 Drawing Sheets**



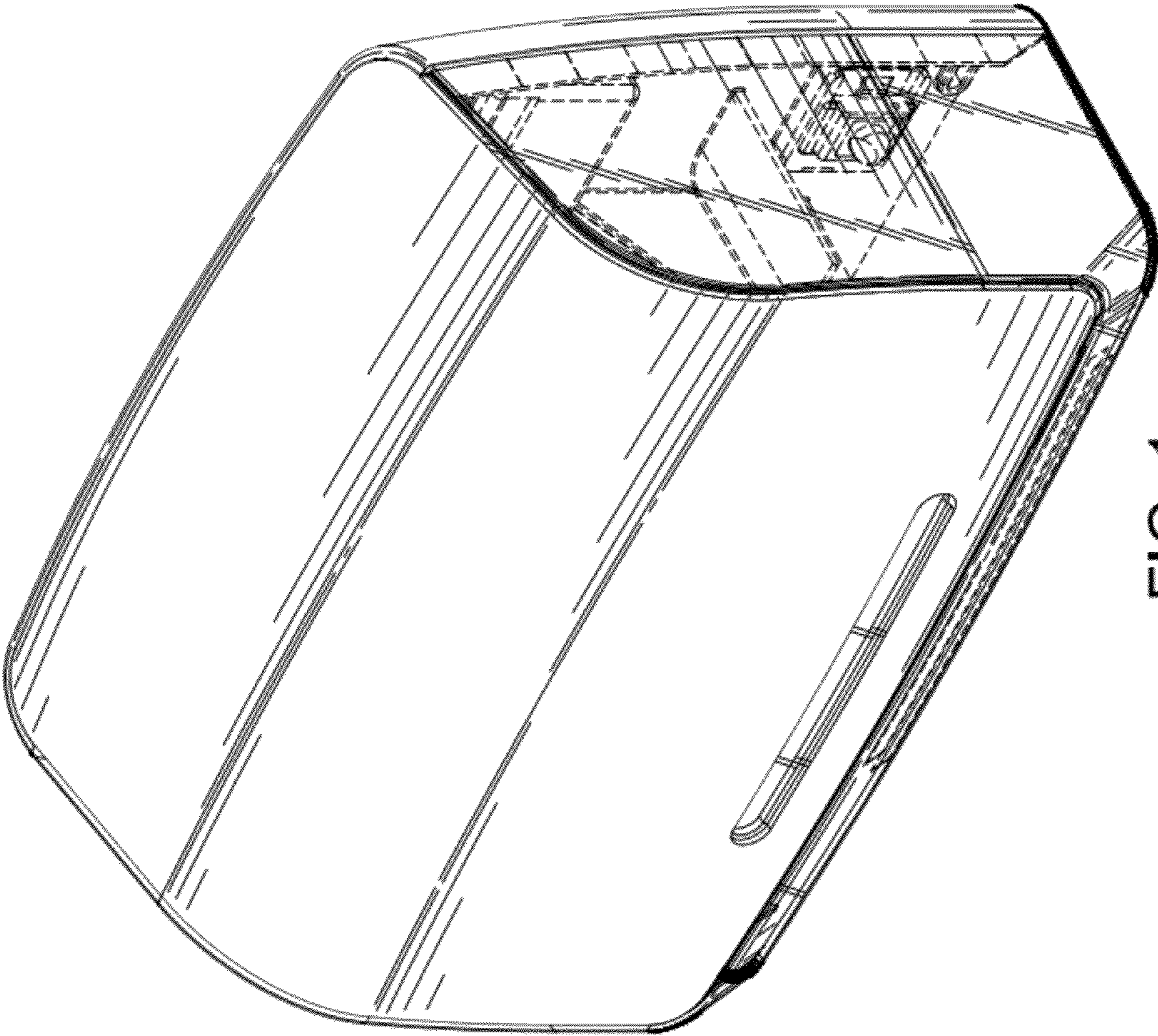


FIG. 1



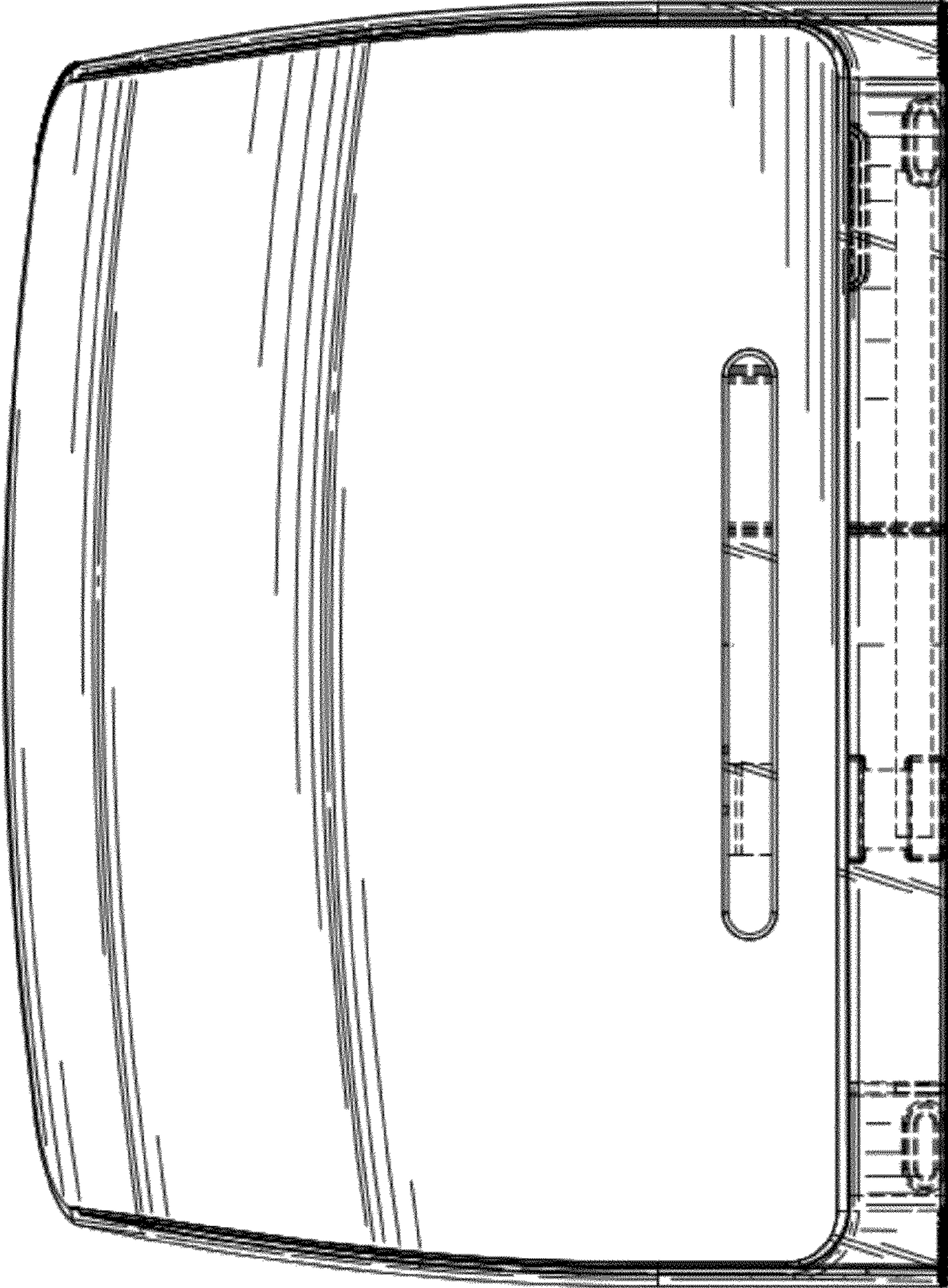


FIG. 2



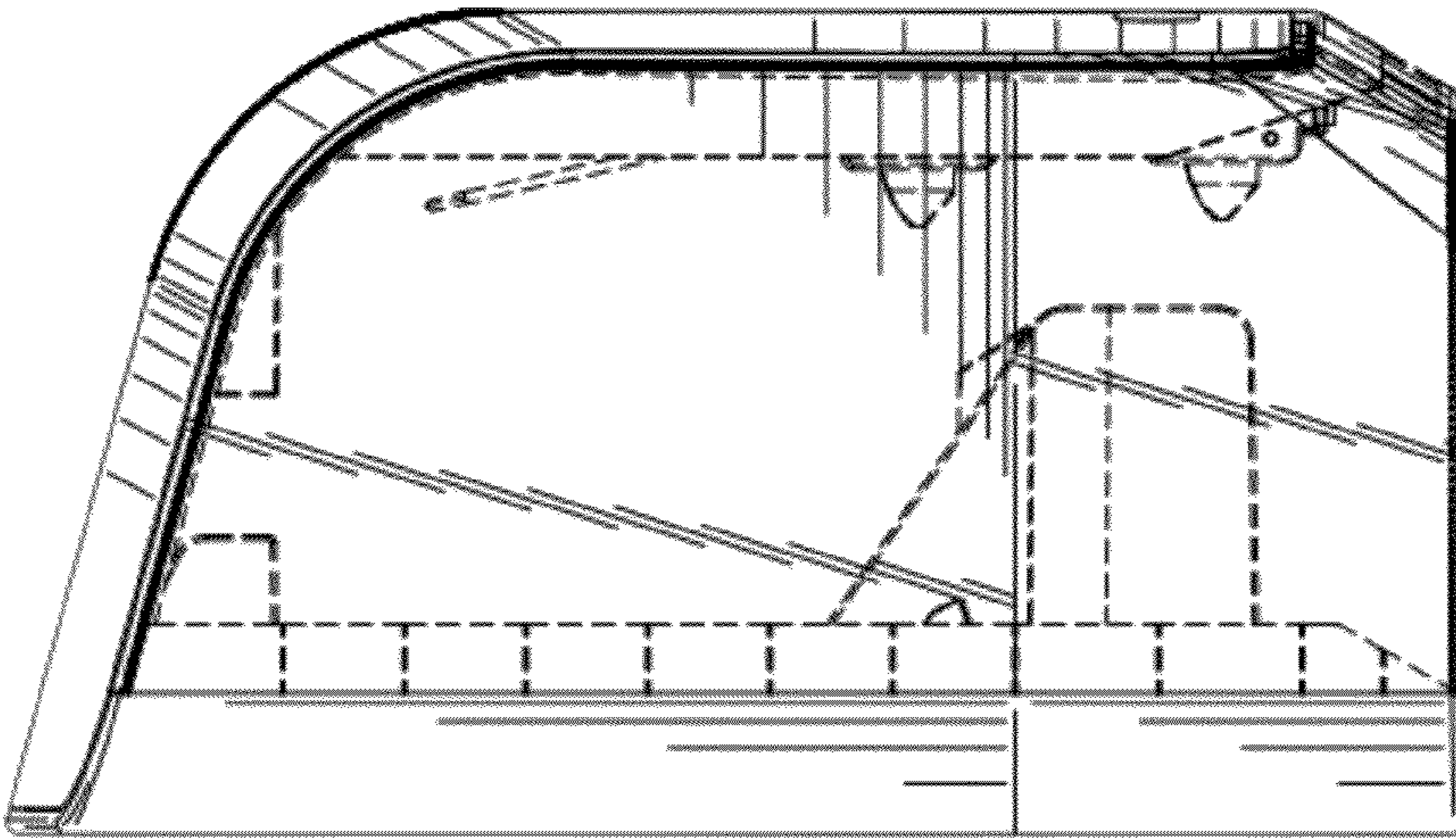


FIG. 5

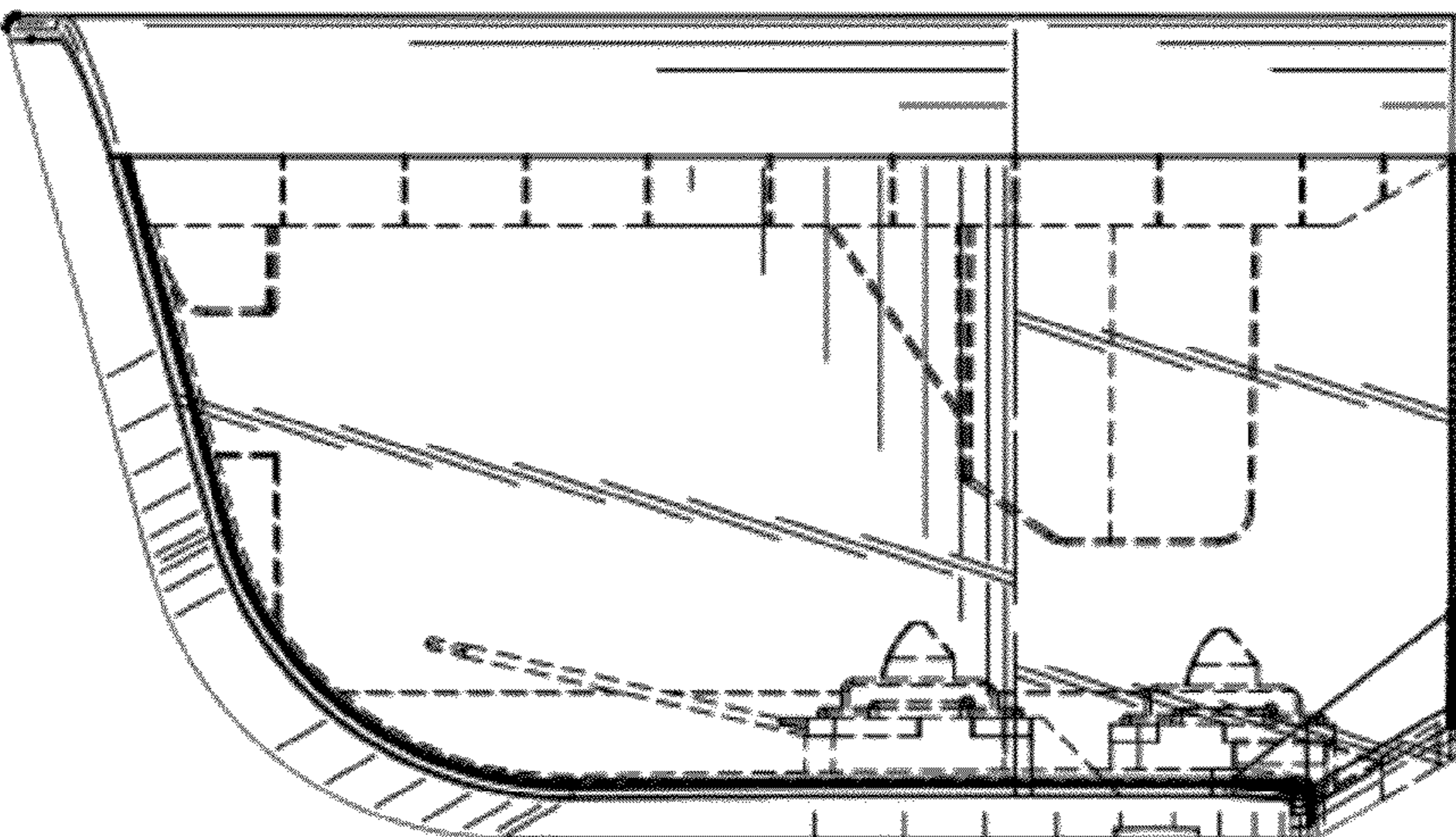


FIG. 3

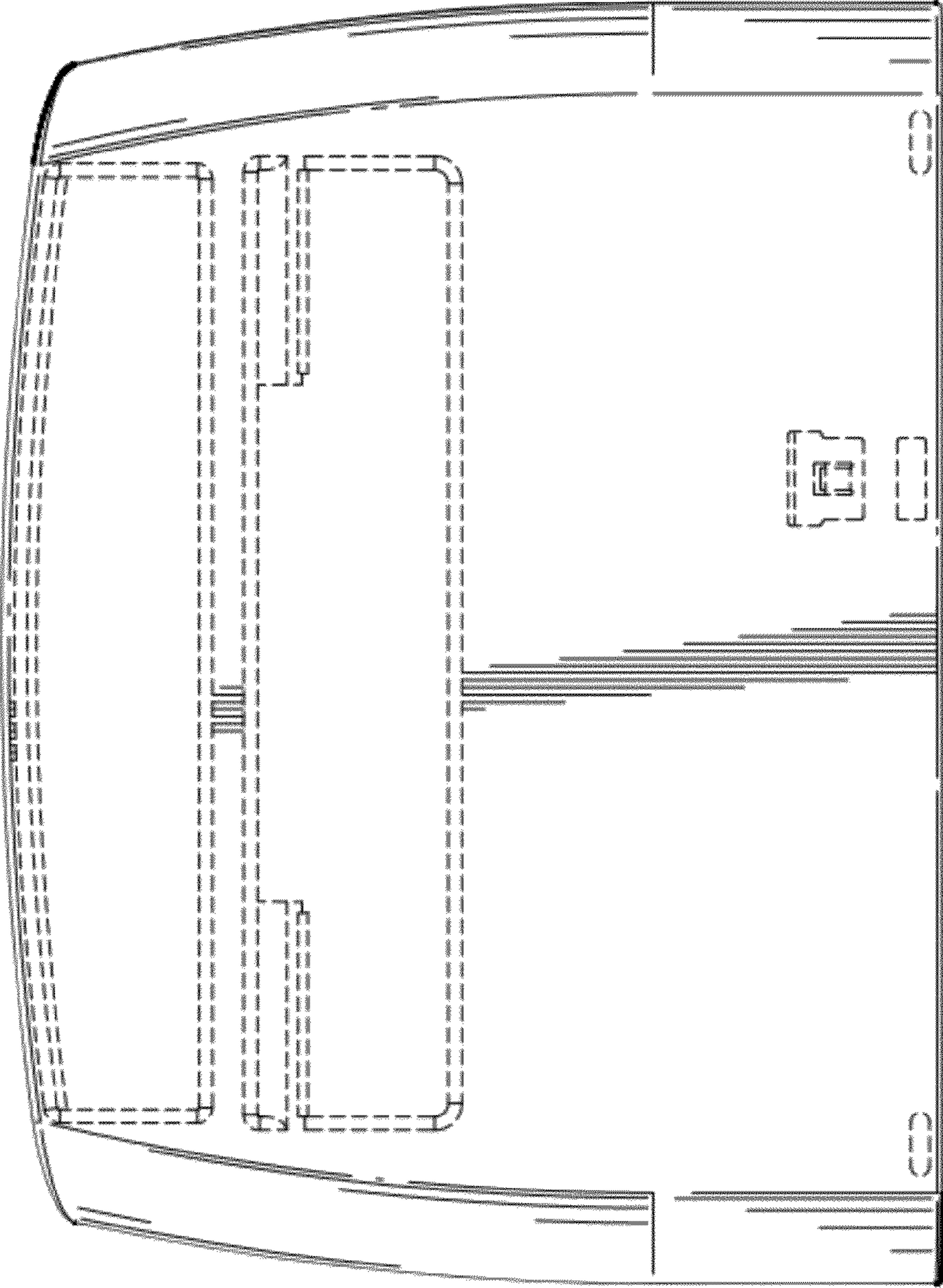


FIG. 4



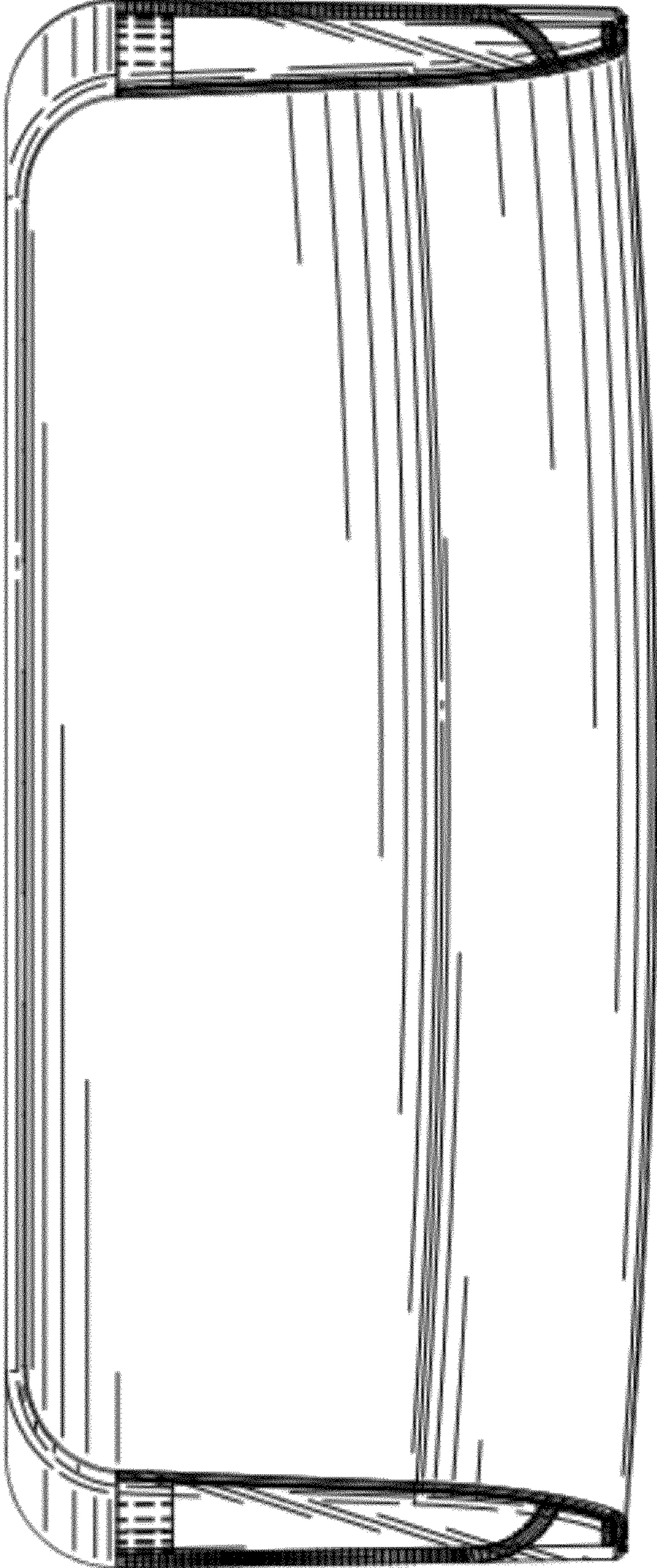


FIG. 6