



US00D656345S

(12) **United States Design Patent**
Grimaldi

(10) **Patent No.:** **US D656,345 S**
(45) **Date of Patent:** **** Mar. 27, 2012**

(54) **TABLE**

(75) Inventor: **Michele Grimaldi**, Rivalta (IT)

(73) Assignee: **Sandrine Thibaud**, Rivalta (IT)

(**) Term: **14 Years**

(21) Appl. No.: **29/367,459**

(22) Filed: **Aug. 9, 2010**

(30) **Foreign Application Priority Data**

Mar. 2, 2010 (EM) 001676180-0004

(51) **LOC (9) Cl.** **06-03**

(52) **U.S. Cl.** **D6/486; D6/480**

(58) **Field of Classification Search** D6/480-489,
D6/495-499, 450-451, 429-431, 511, 457,
D6/534, 349, 360; 108/150, 153.1, 155,
108/156, 161, 25; 248/188, 188.1, 188.8;
D7/707, 600.4; 209/704; 211/66, 70, 163,
211/70.1, 78, 85.29; D19/85

See application file for complete search history.

(56) **References Cited**

U.S. PATENT DOCUMENTS

D48,739 S * 3/1916 Sommerville D6/457
(Continued)

Primary Examiner — Janice Seeger

(74) *Attorney, Agent, or Firm* — Buchanan Nipper

(57) **CLAIM**

The ornamental design for a table, as shown and described.

DESCRIPTION

FIG. 1 is an exploded upper perspective view of a table showing my new design including a table stand, an outer bucket, an inner bucket and a lid;

FIG. 2 is a partial, lower perspective view thereof, showing the table stand;

FIG. 3 is a front elevation view thereof, without lid, the broken line showings of a hanging purse, champagne stemware, and bottle of champagne within an ice bucket are for the purpose of illustrating environmental structure and form no part of the claimed design;

FIG. 4 is an exploded, front elevation view thereof;

FIG. 5 is an elevation view thereof, rotated 45 degrees along the vertical axis from the view angle of FIG. 3;

FIG. 6 is a top plan view thereof;

FIG. 7 is a partial, top plan view of just the table stand portion;

FIG. 8 is a bottom plan view thereof;

FIG. 9 is a second embodiment of FIG. 6, the only difference being the absence of a hole defined through the center of the table top for receiving the buckets and lid, it being understood that all other surfaces are the same as those of the first embodiment;

FIG. 10 is a partial, upper perspective view thereof, showing the outer and inner buckets nested and the handle rotated to a vertical position;

FIG. 11 is a partial, exploded elevation view thereof, showing the outer and inner buckets;

FIG. 12 is a partial, exploded elevation view thereof, rotated 90 degrees along the vertical axis from the view angle of FIG. 11, showing the outer and inner buckets;

FIG. 13 is a partial, top plan view thereof, showing the inner bucket and the handle rotated to a vertical position;

FIG. 14 is a partial, bottom plan view thereof, showing the outer and inner buckets nested;

FIG. 15 is a partial, top plan view thereof, showing the outer bucket;

FIG. 16 is a partial, bottom plan view thereof, showing the outer bucket;

FIG. 17 is a partial, bottom plan view thereof, showing the inner bucket;

FIG. 18 is a partial, top plan view thereof, showing the outer and inner buckets nested and the handle rotated to a horizontal position;

FIG. 19 is a cross-sectional view along the line 19-19 of FIG. 18;

FIG. 20 is a partial, upper perspective view thereof, showing the lid;

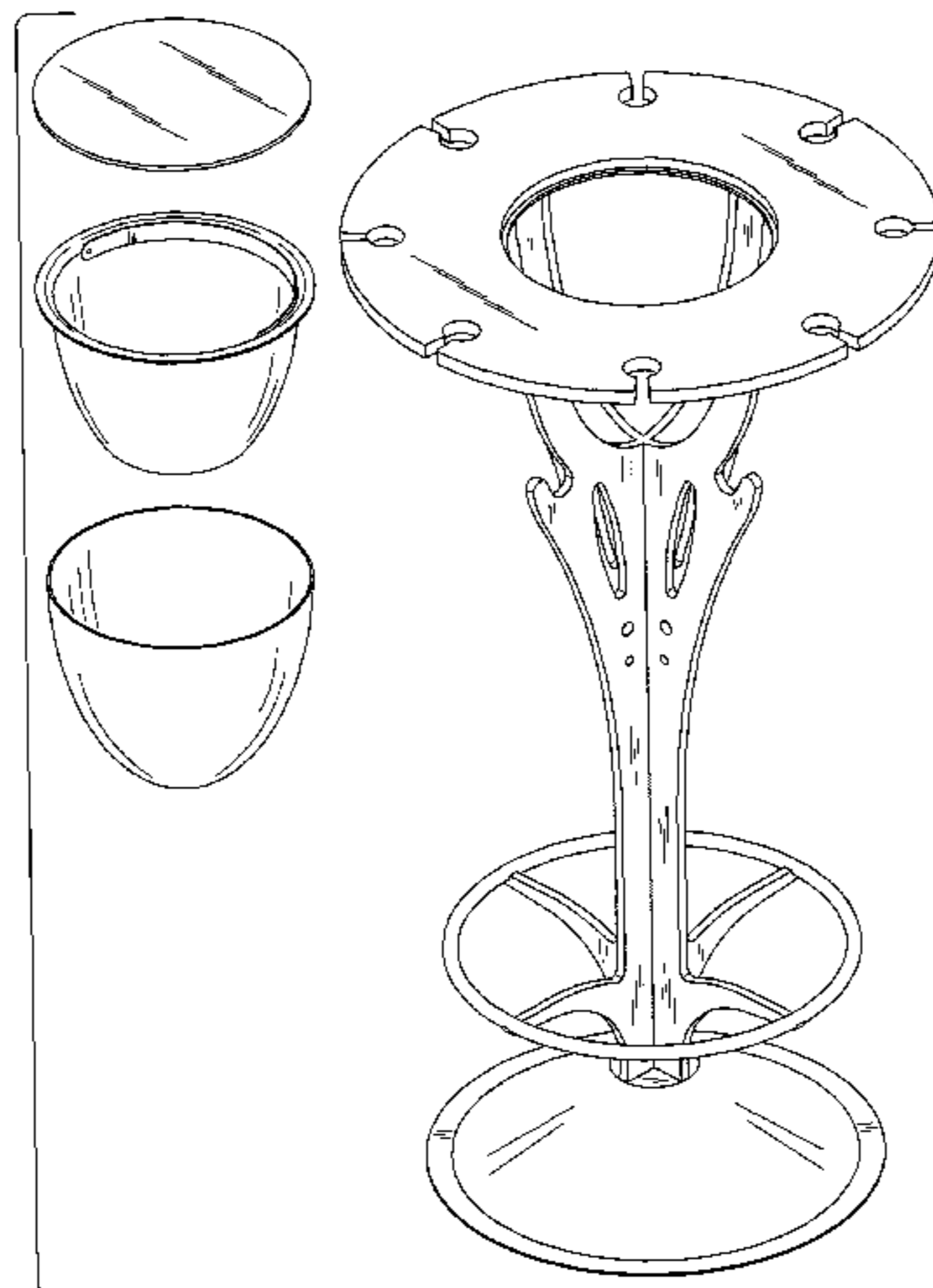
FIG. 21 is a partial, top plan view thereof, showing the lid;

FIG. 22 is a partial, elevation view thereof, showing the lid; and,

FIG. 23 is a partial, bottom plan view thereof, showing the lid.

FIGS. 10-23 show portions of the table shown separately for clarity of disclosure.

1 Claim, 17 Drawing Sheets



US D656,345 S

Page 2

U.S. PATENT DOCUMENTS

D194,467 S *	1/1963	Slosberg	D6/486	D463,169 S *	9/2002	Russell et al.	D6/486
3,363,617 A *	1/1968	Hoerer	125/15	D471,742 S *	3/2003	Muller	D6/488
D217,474 S *	5/1970	Craddock	D6/485	D507,893 S *	8/2005	Glass et al.	D6/360
D261,078 S *	10/1981	Wilson	D6/360	D513,948 S *	1/2006	Martin	D7/707
D263,780 S *	4/1982	Hildebrand et al.	D6/457	D571,127 S *	6/2008	Cartwright	D6/480
5,363,772 A *	11/1994	Adamidis	108/66	2004/0035281 A1 *	2/2004	Gaynor	83/835
D357,605 S *	4/1995	Kellen	D6/486				

* cited by examiner

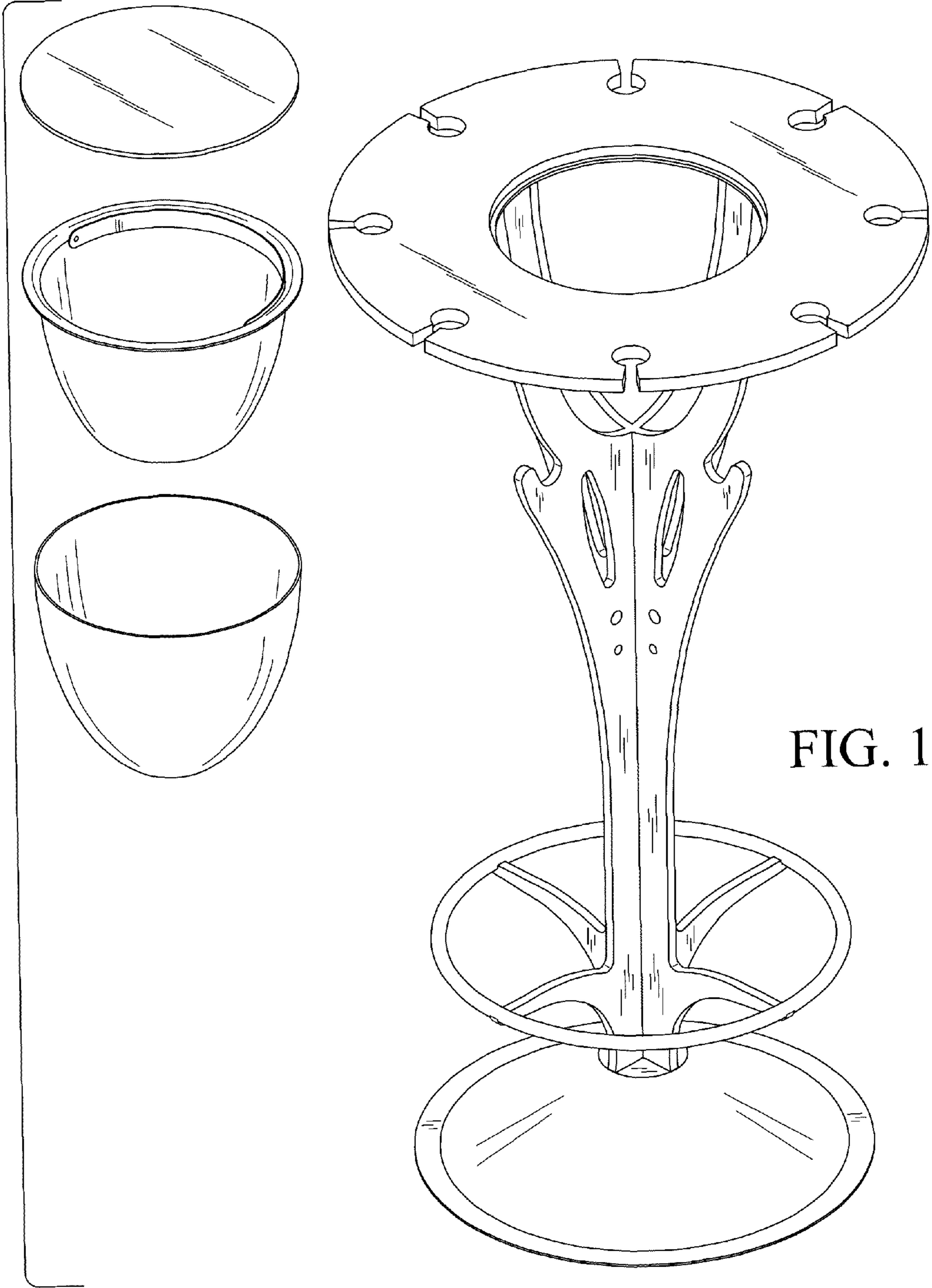


FIG. 1

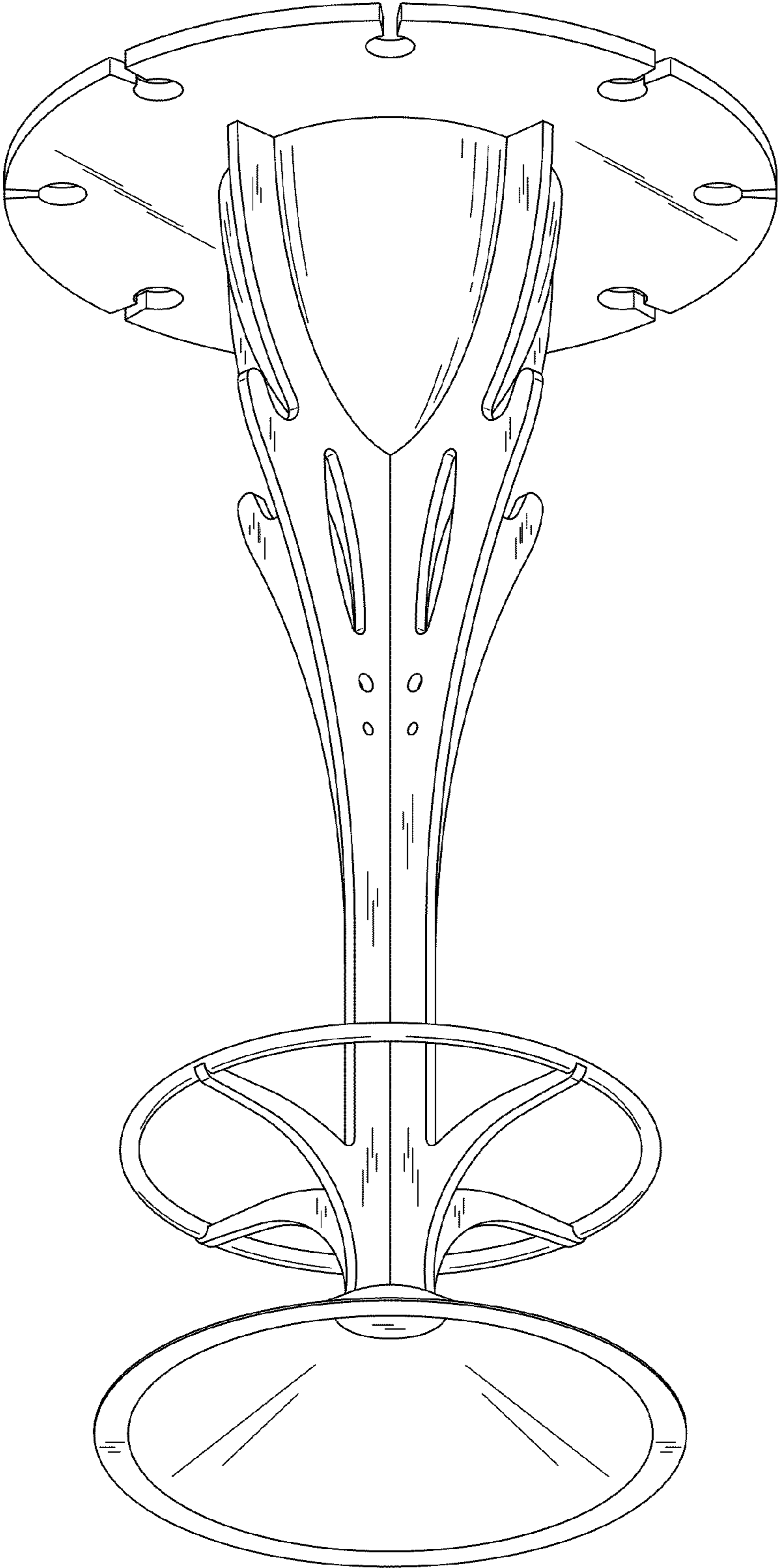


FIG. 2

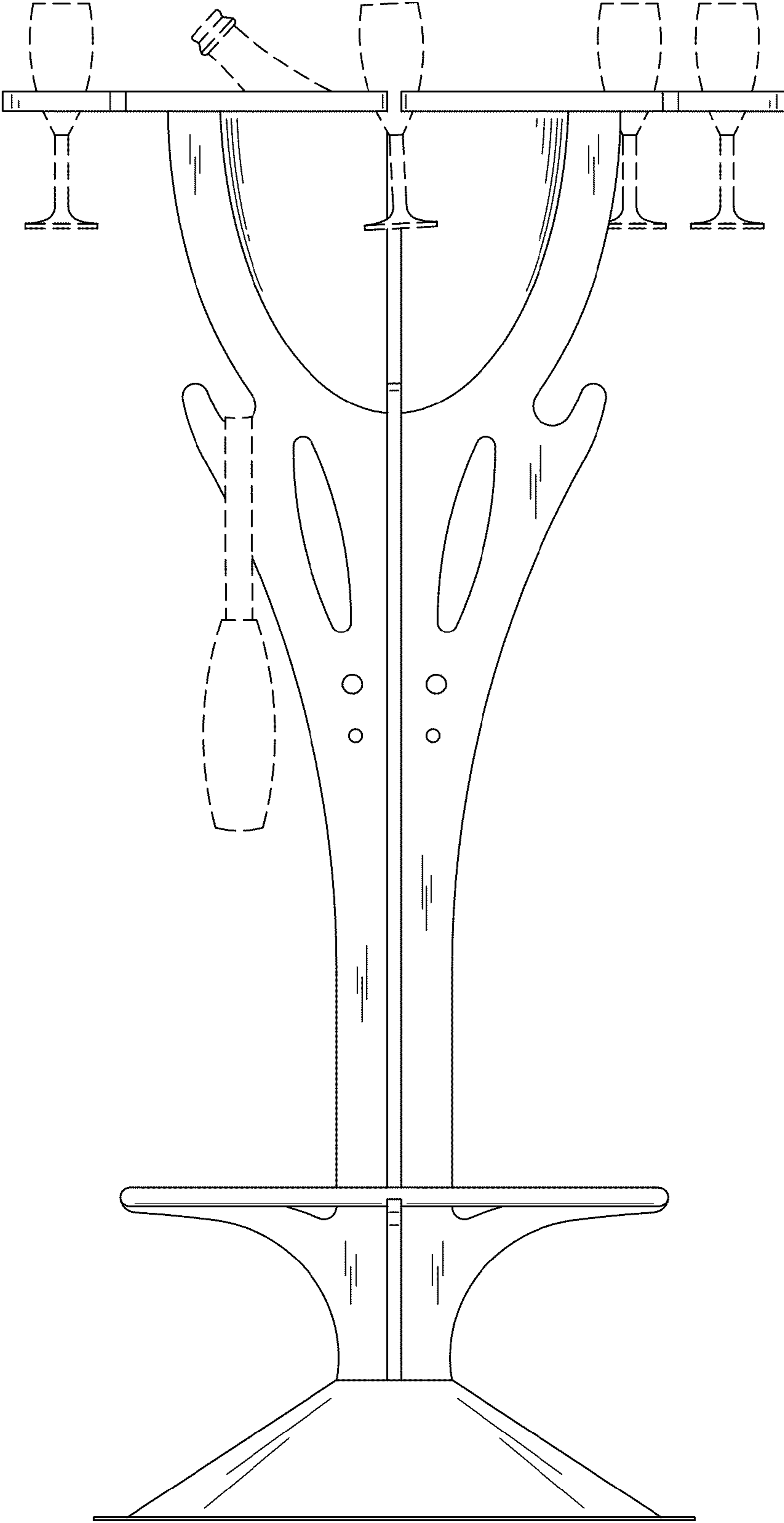


FIG. 3

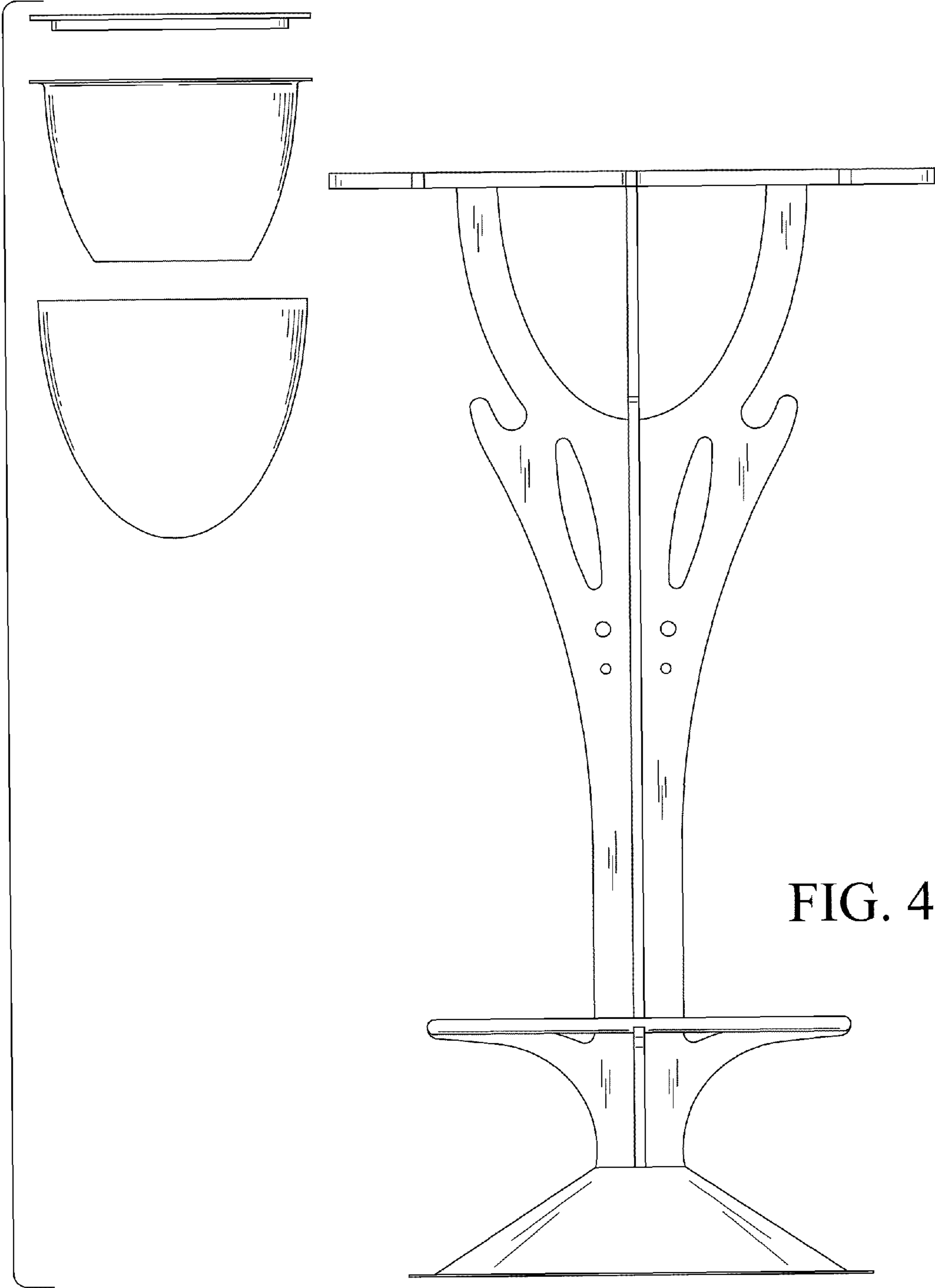


FIG. 4

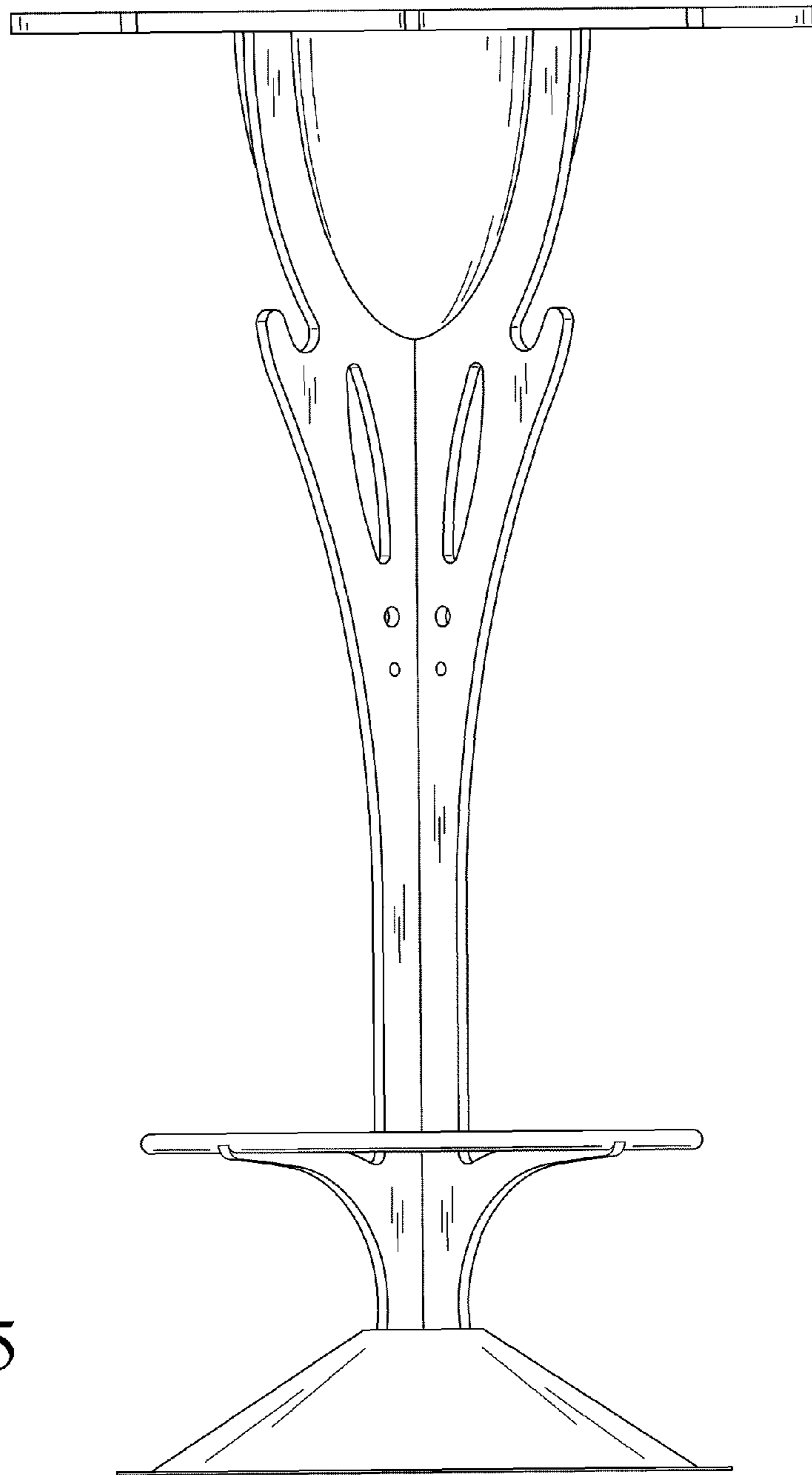


FIG. 5

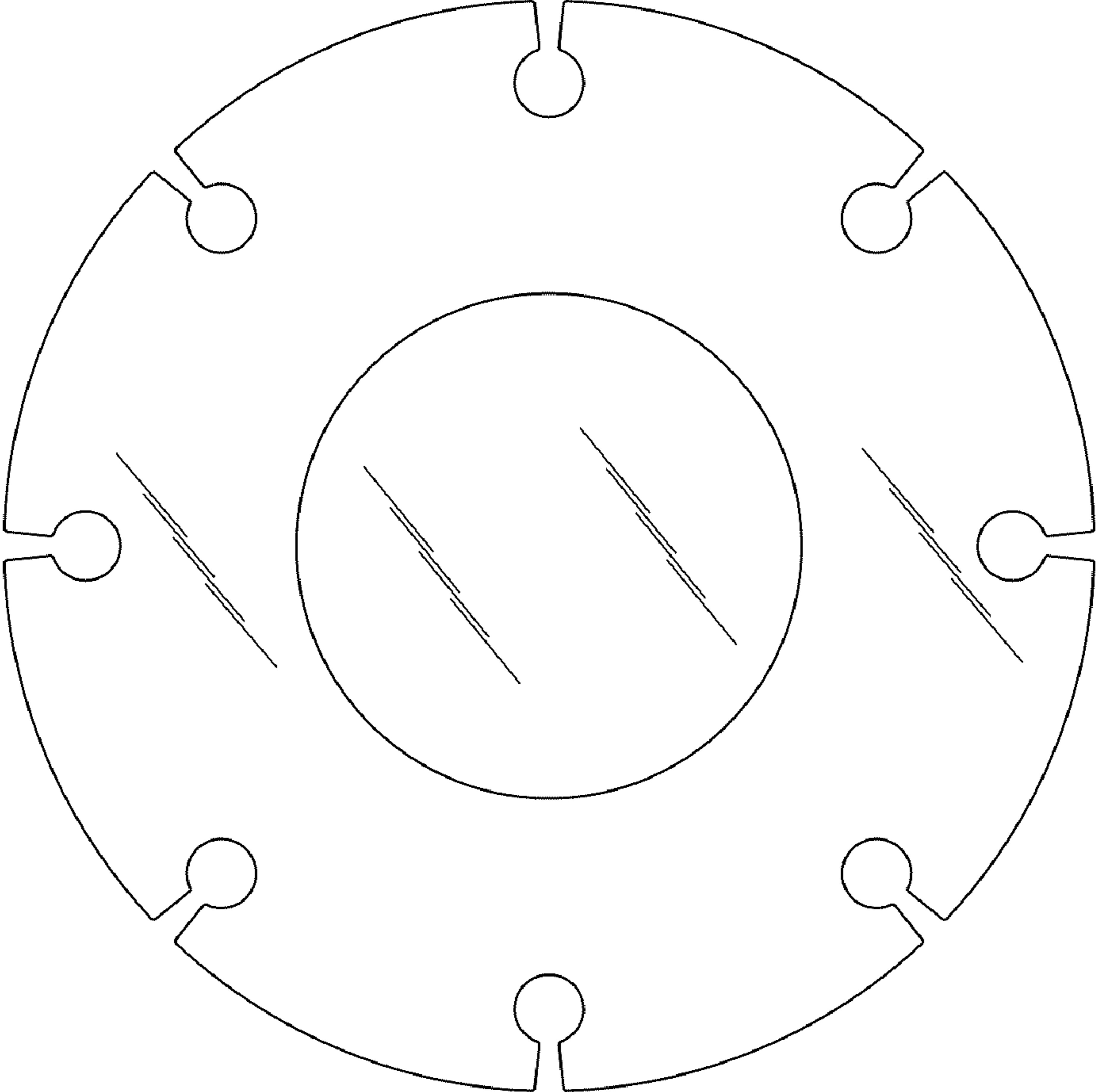


FIG. 6

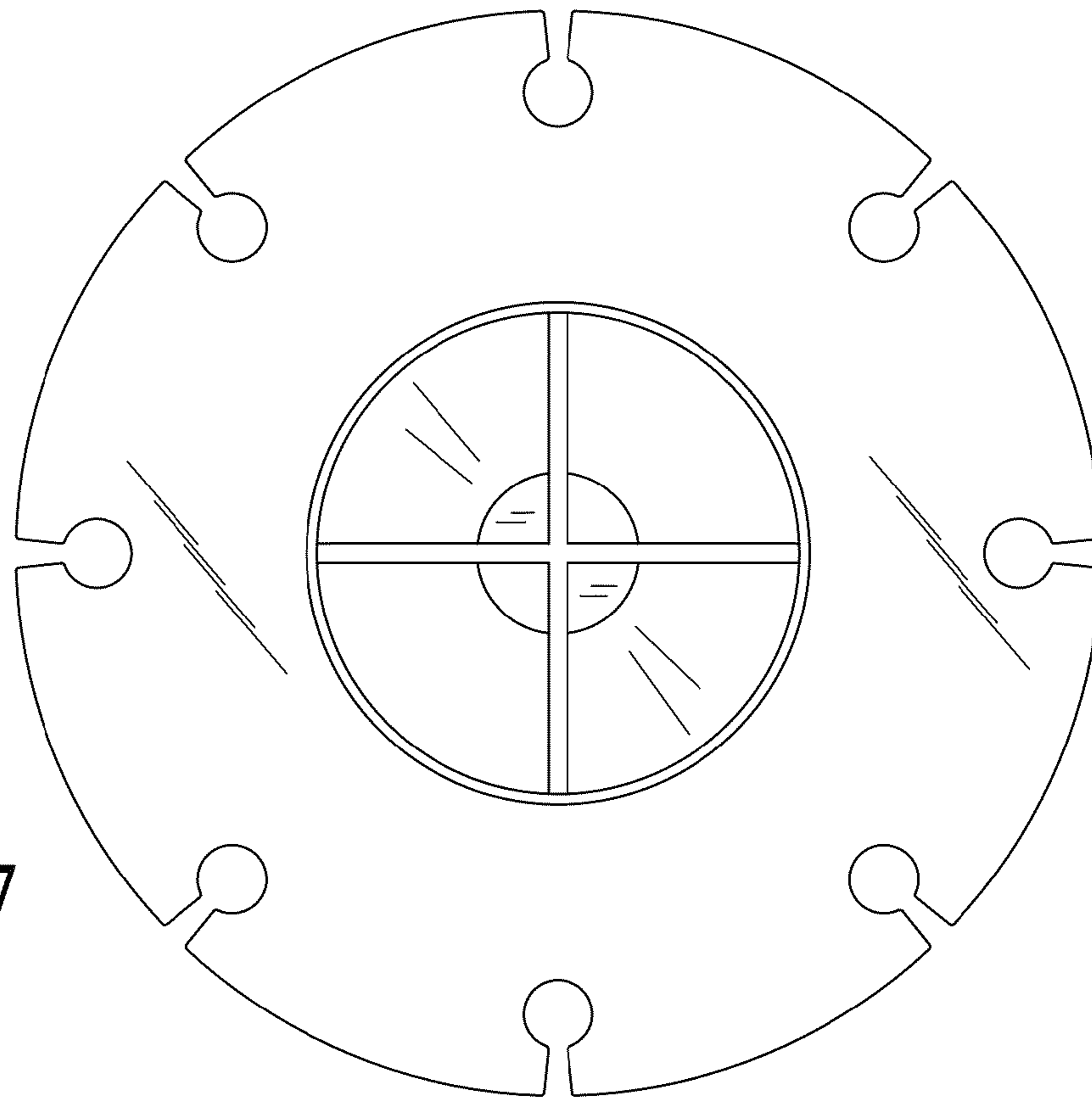


FIG. 7

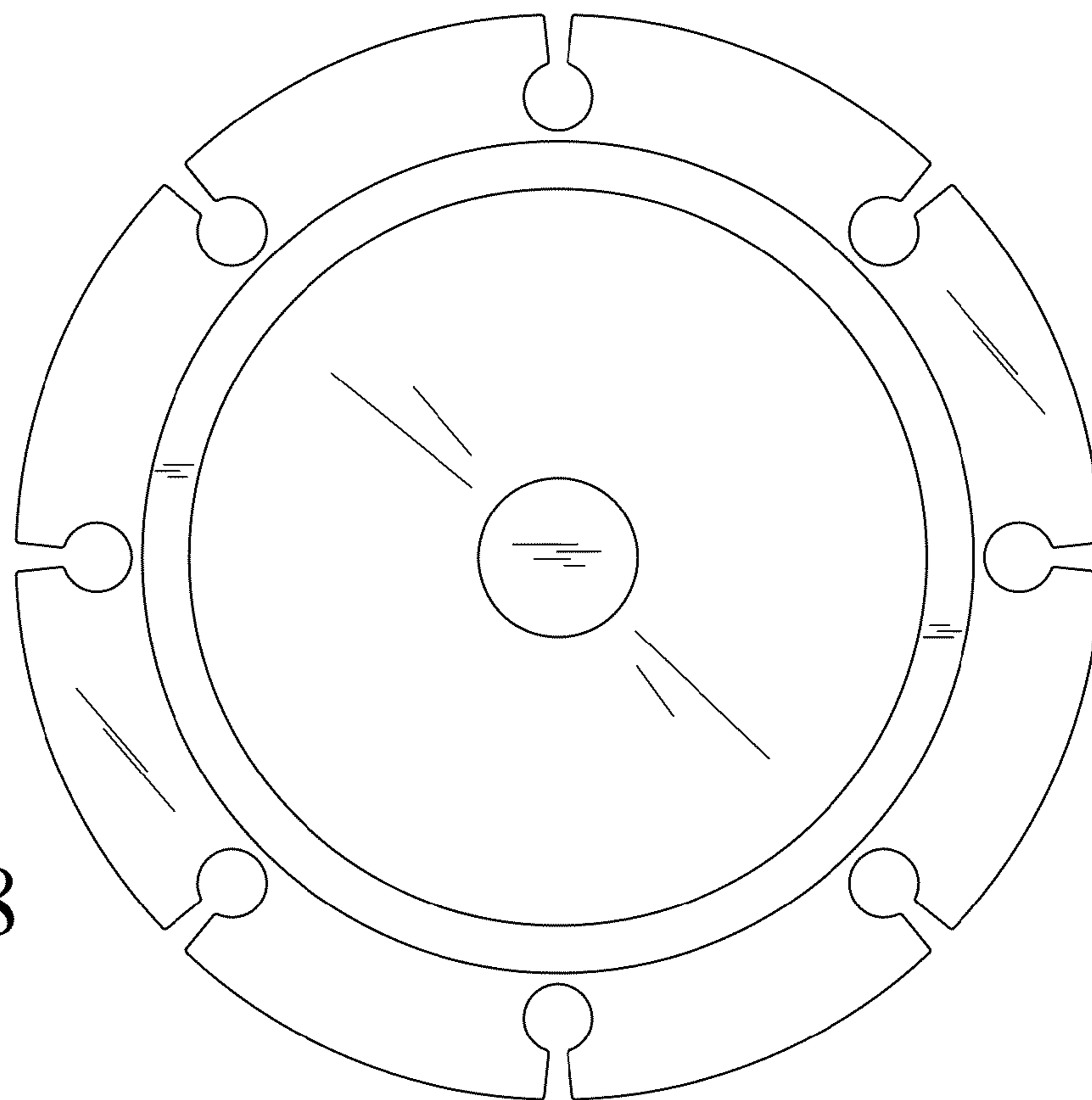


FIG. 8

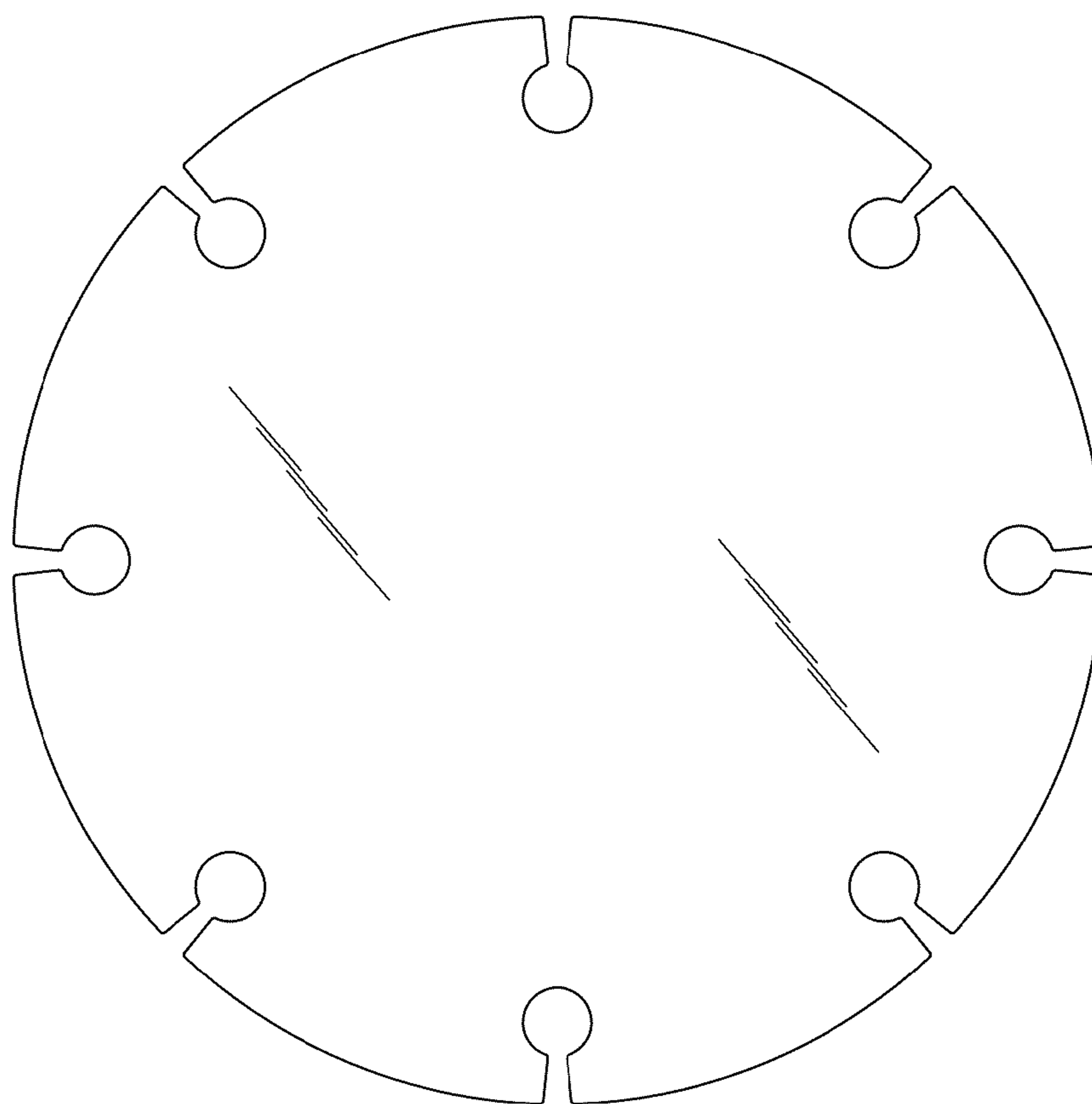


FIG. 9

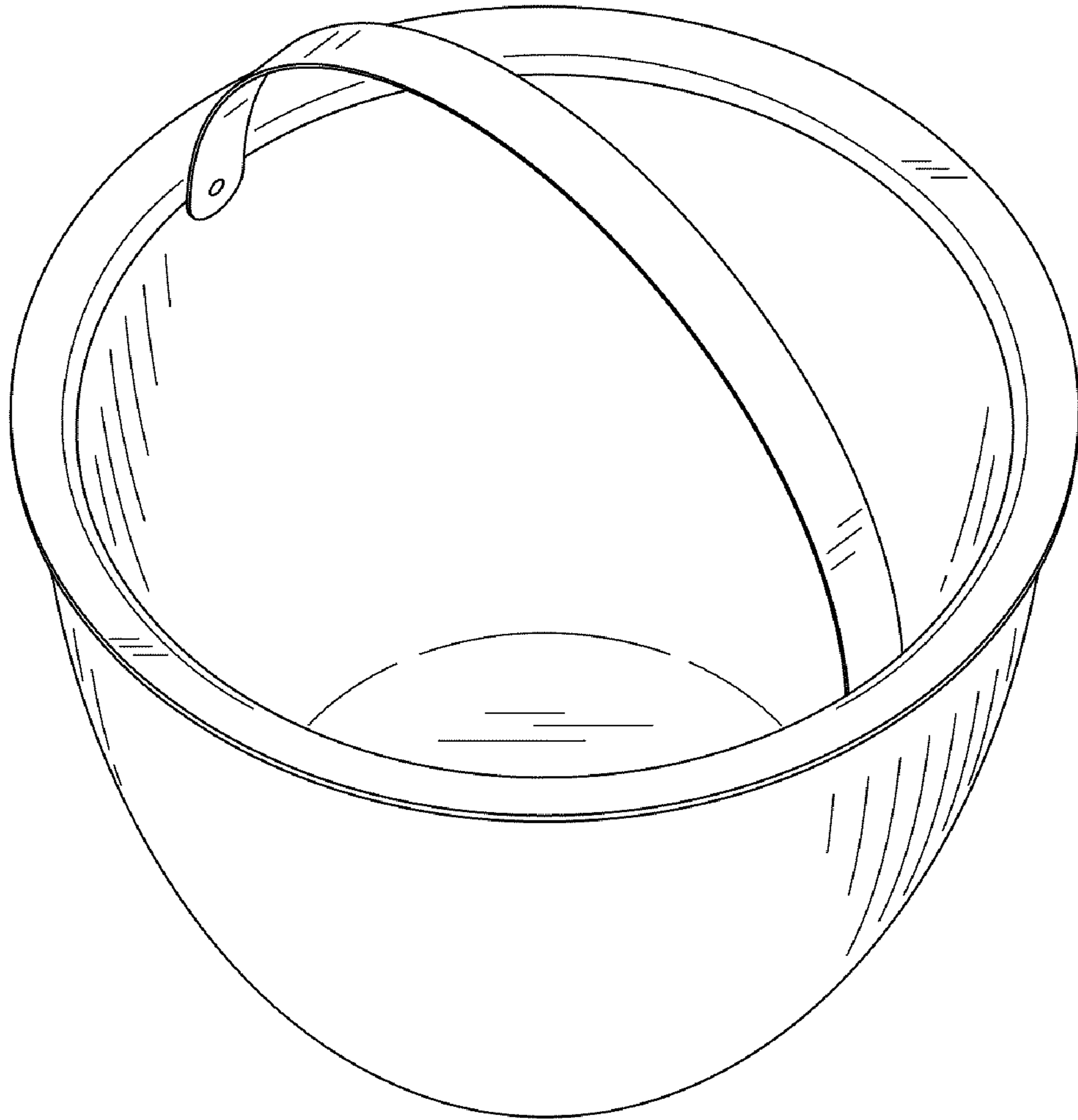


FIG. 10

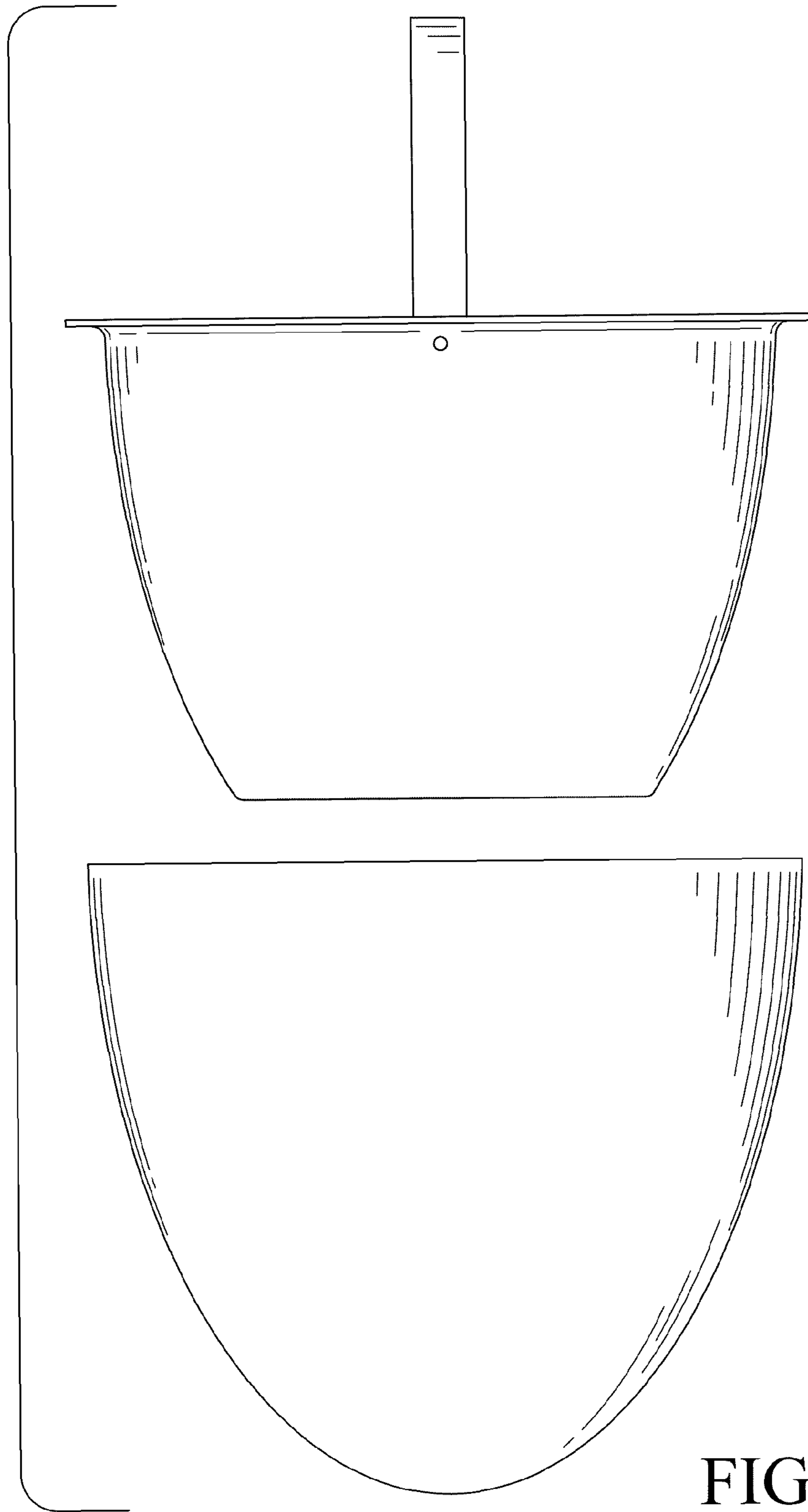


FIG. 11

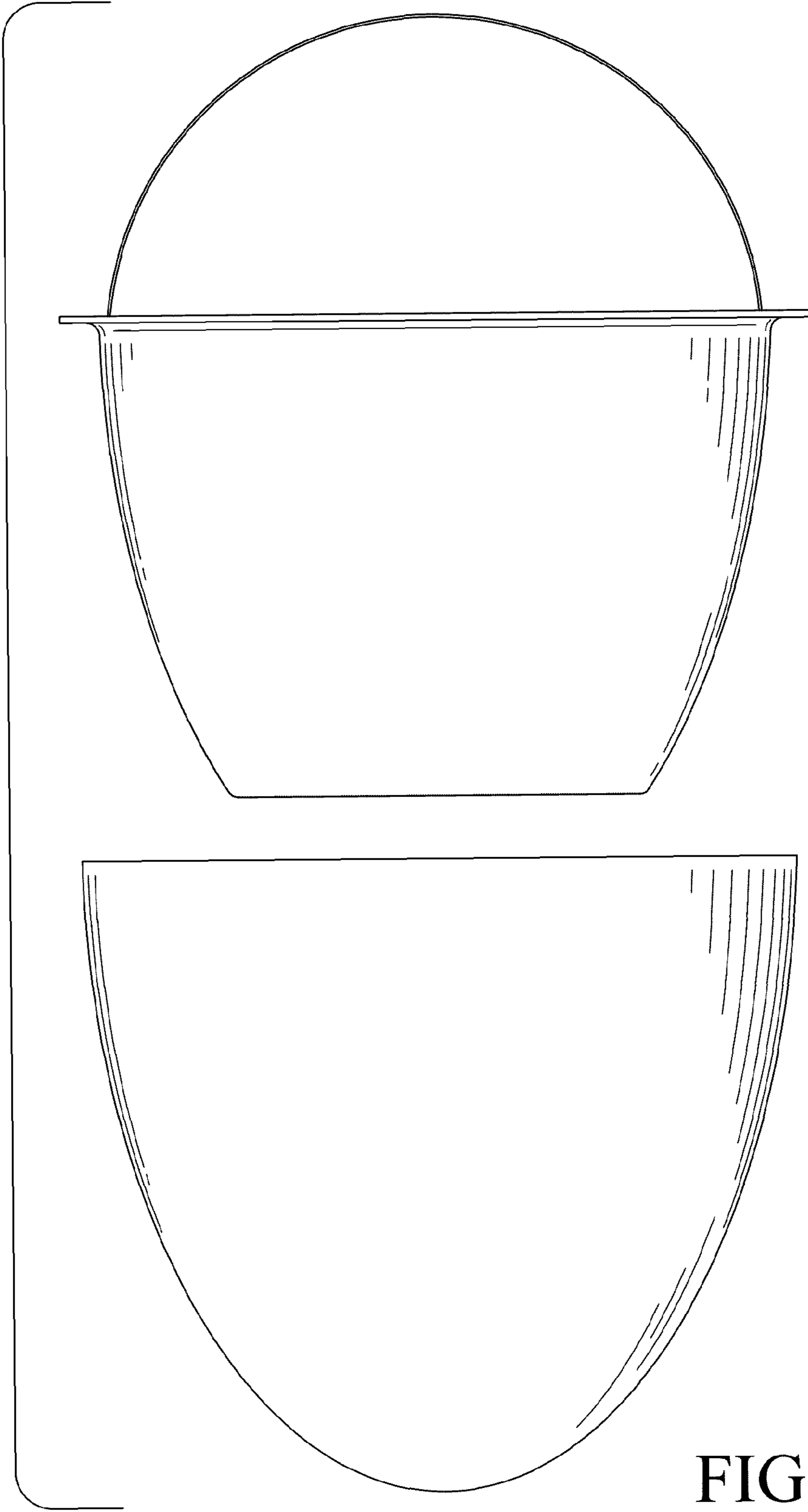


FIG. 12

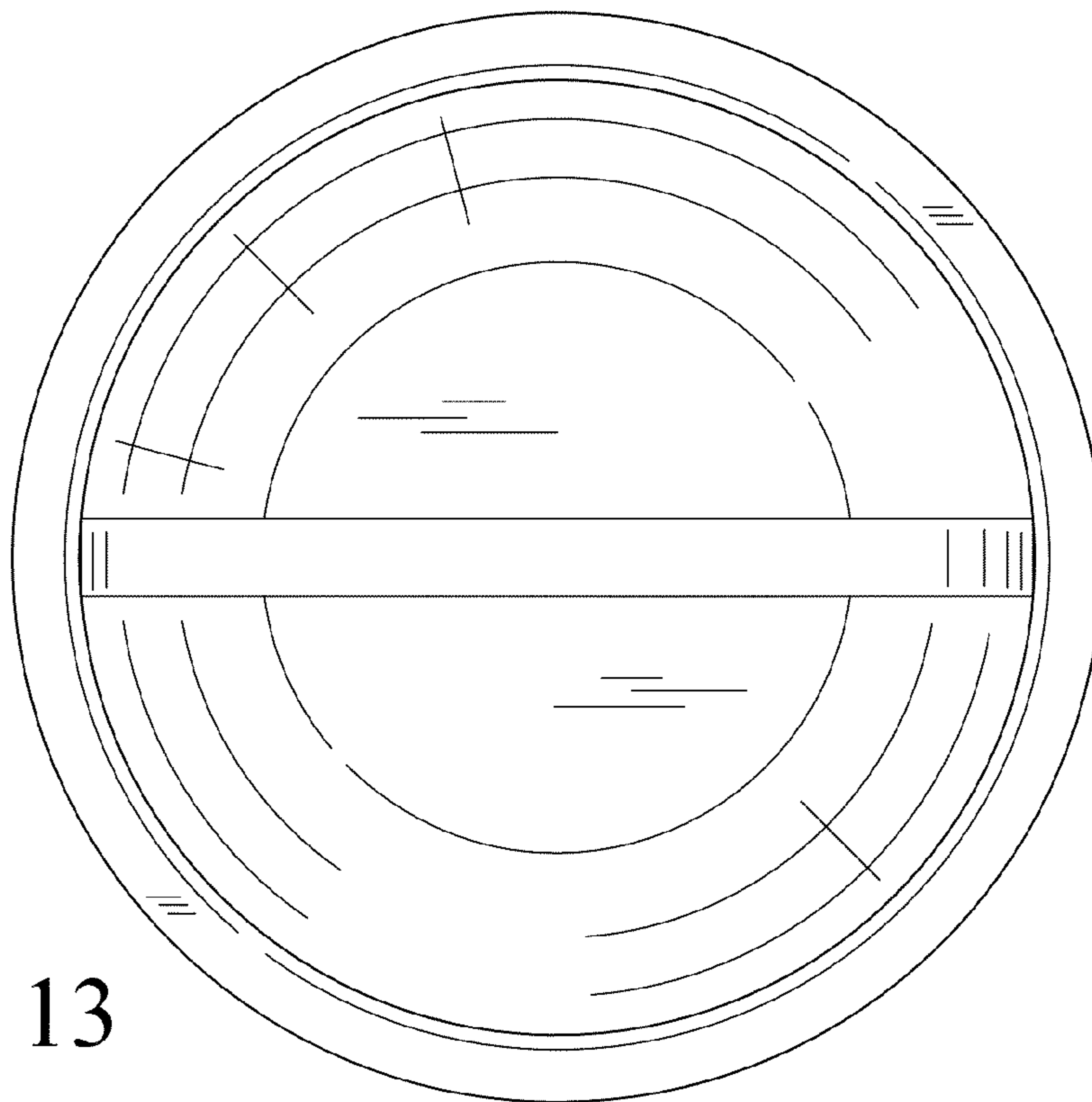


FIG. 13

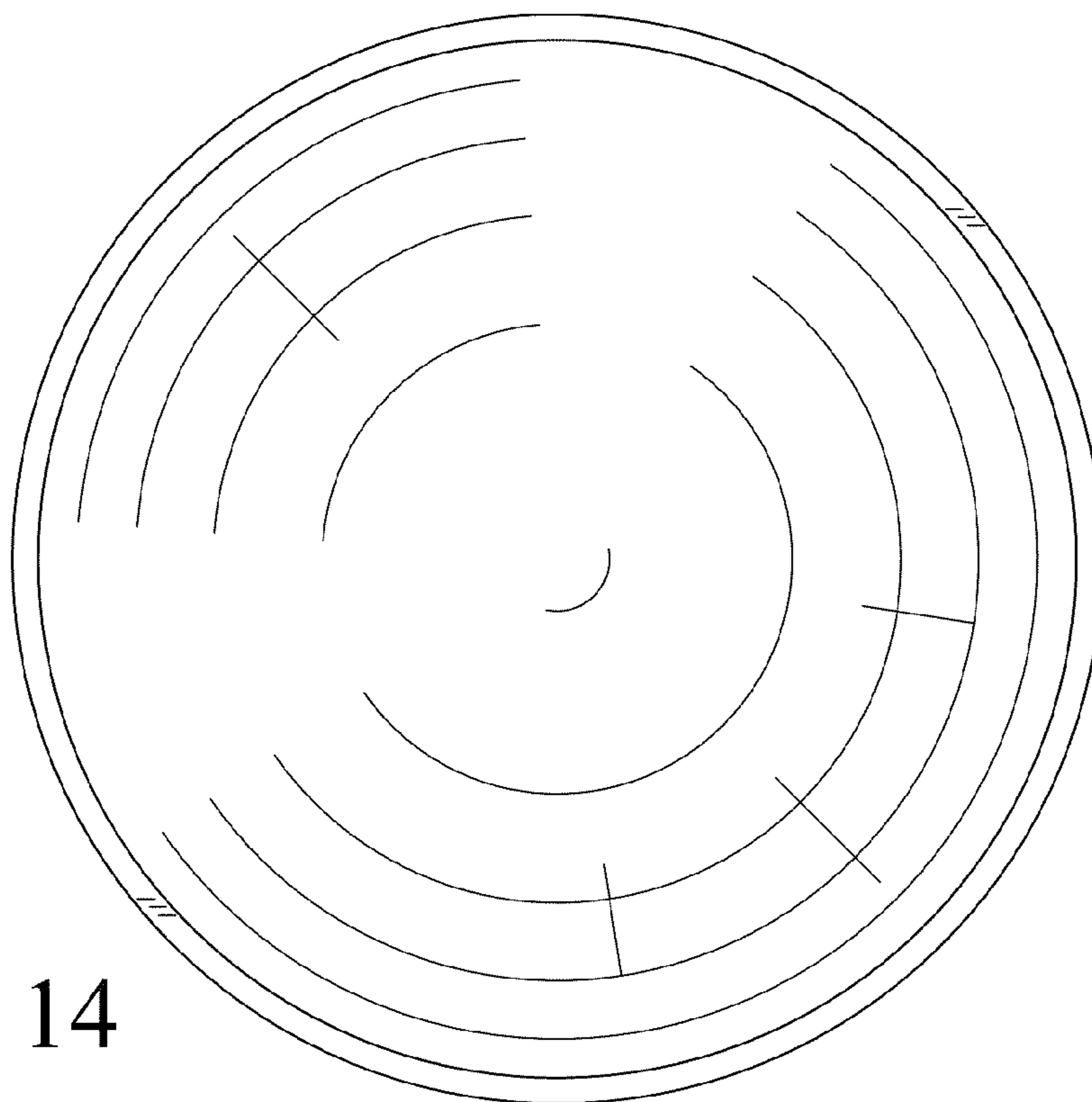


FIG. 14

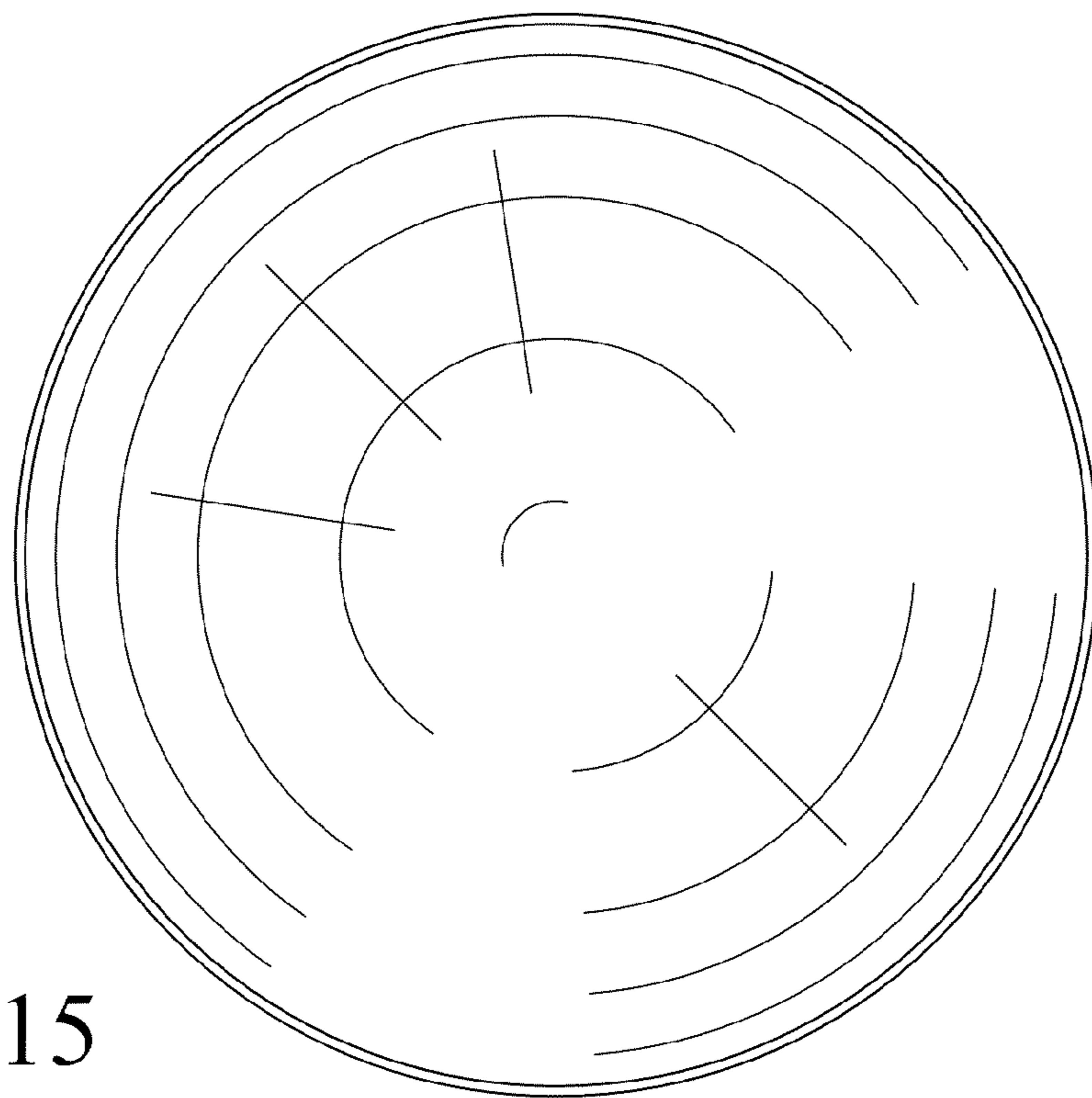


FIG. 15

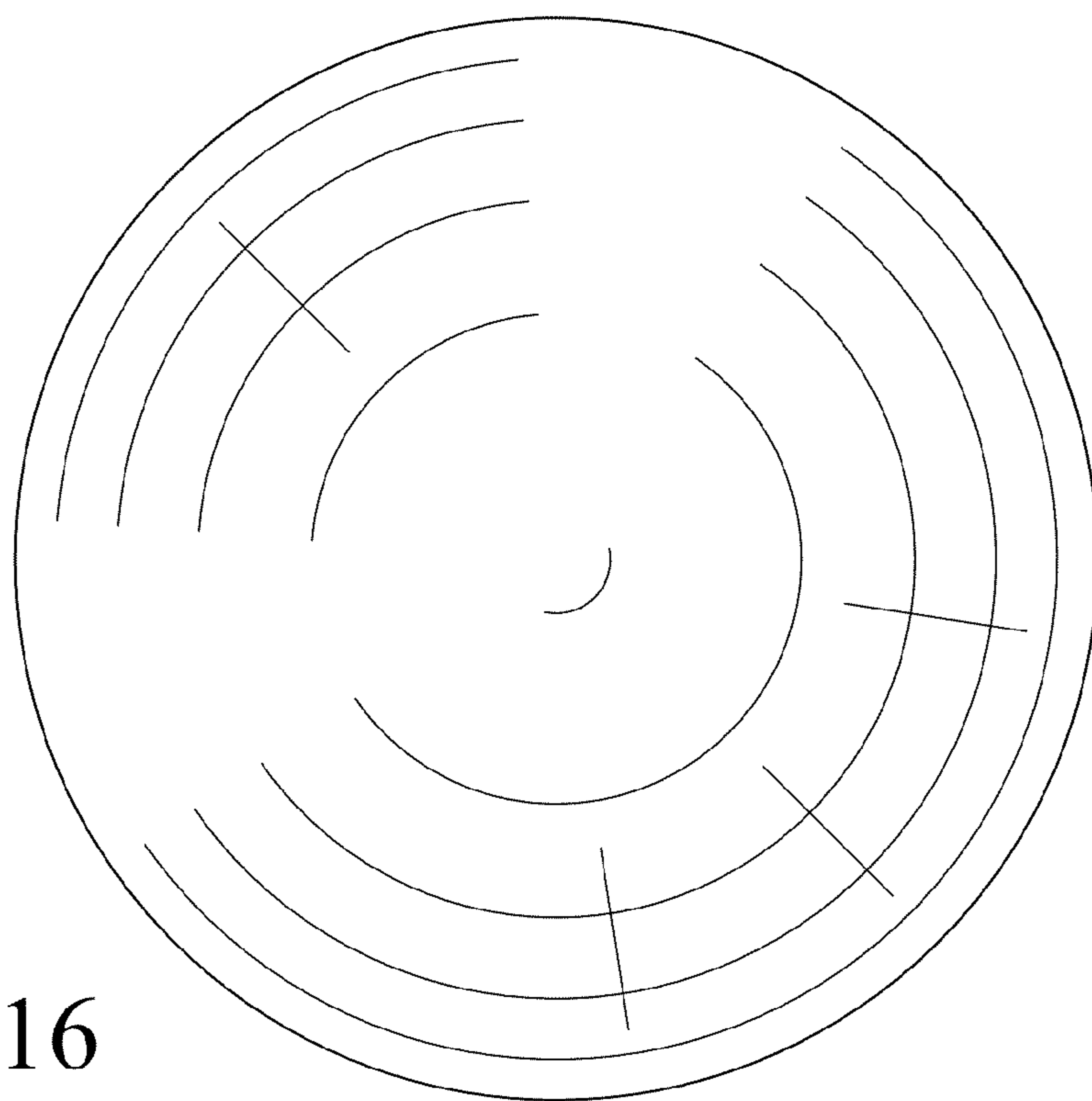


FIG. 16

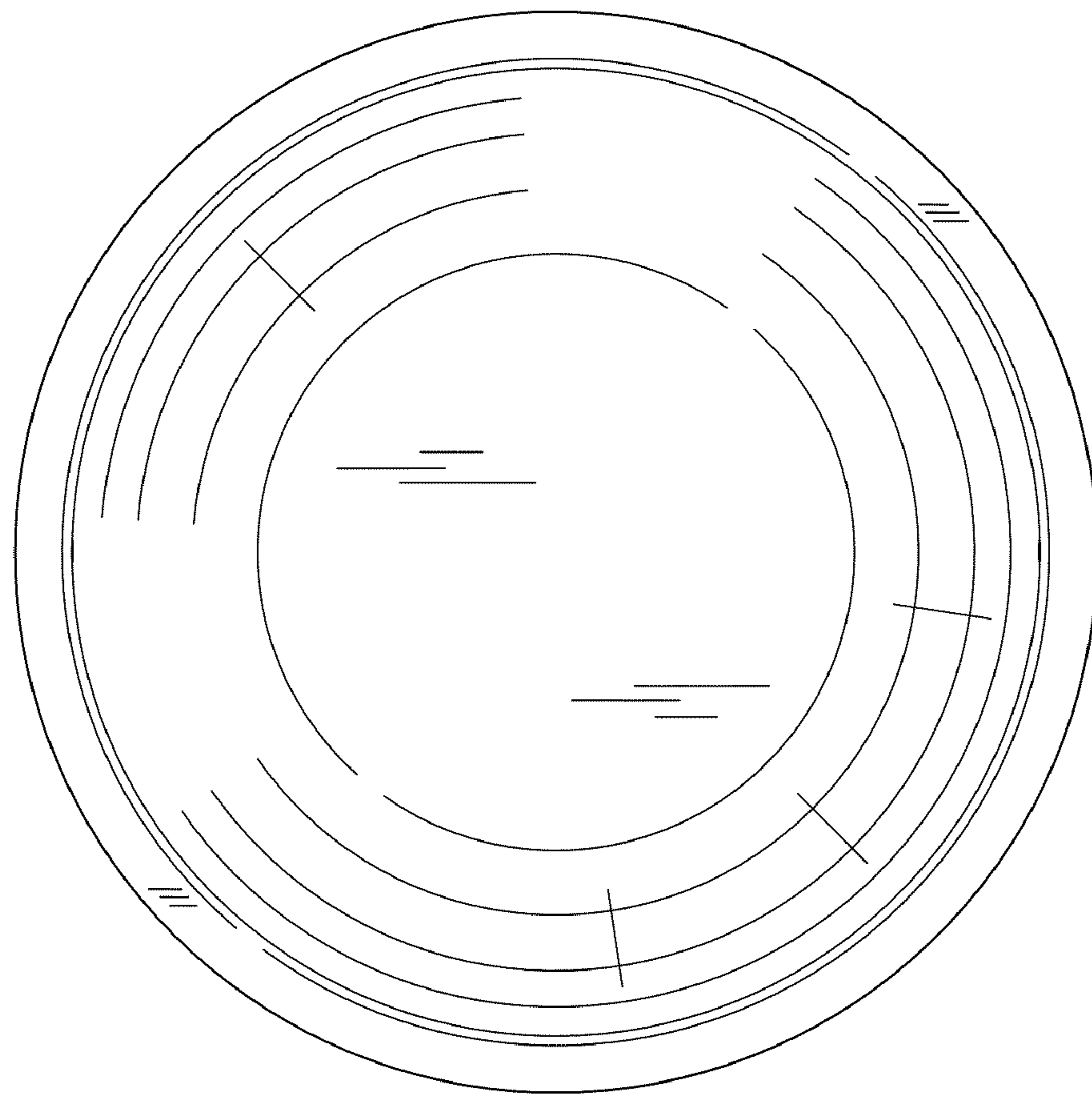


FIG. 17

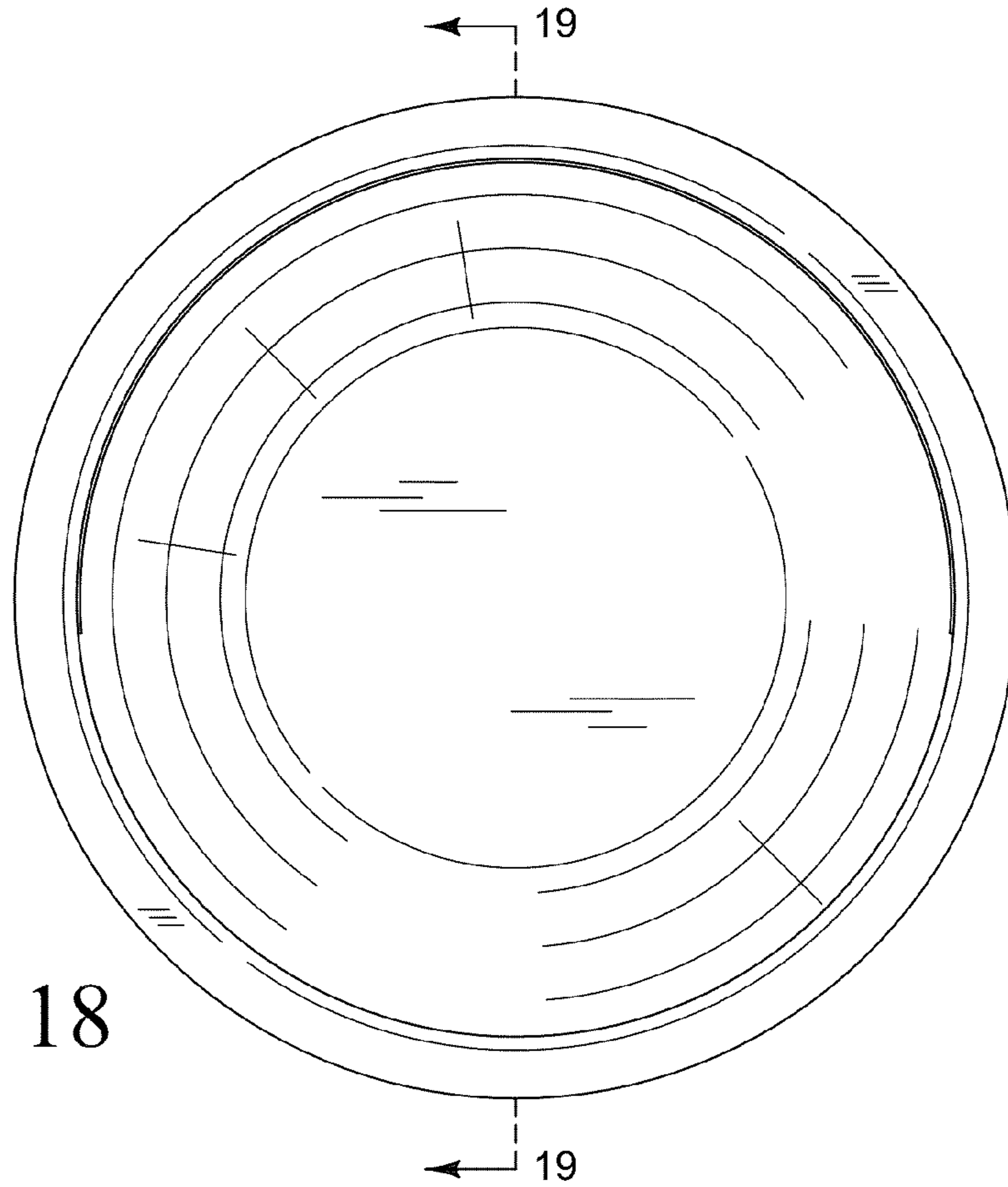


FIG. 18

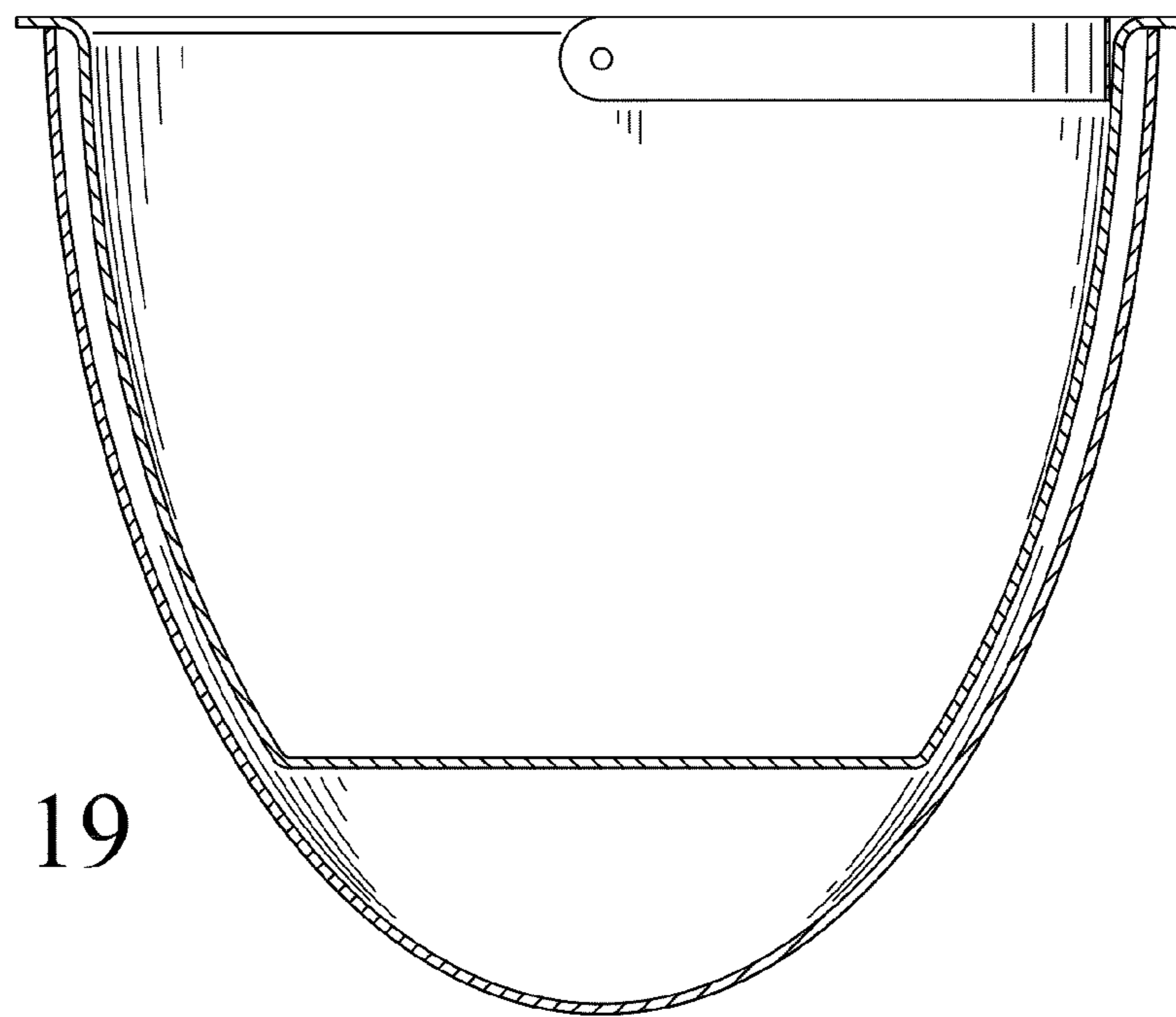


FIG. 19

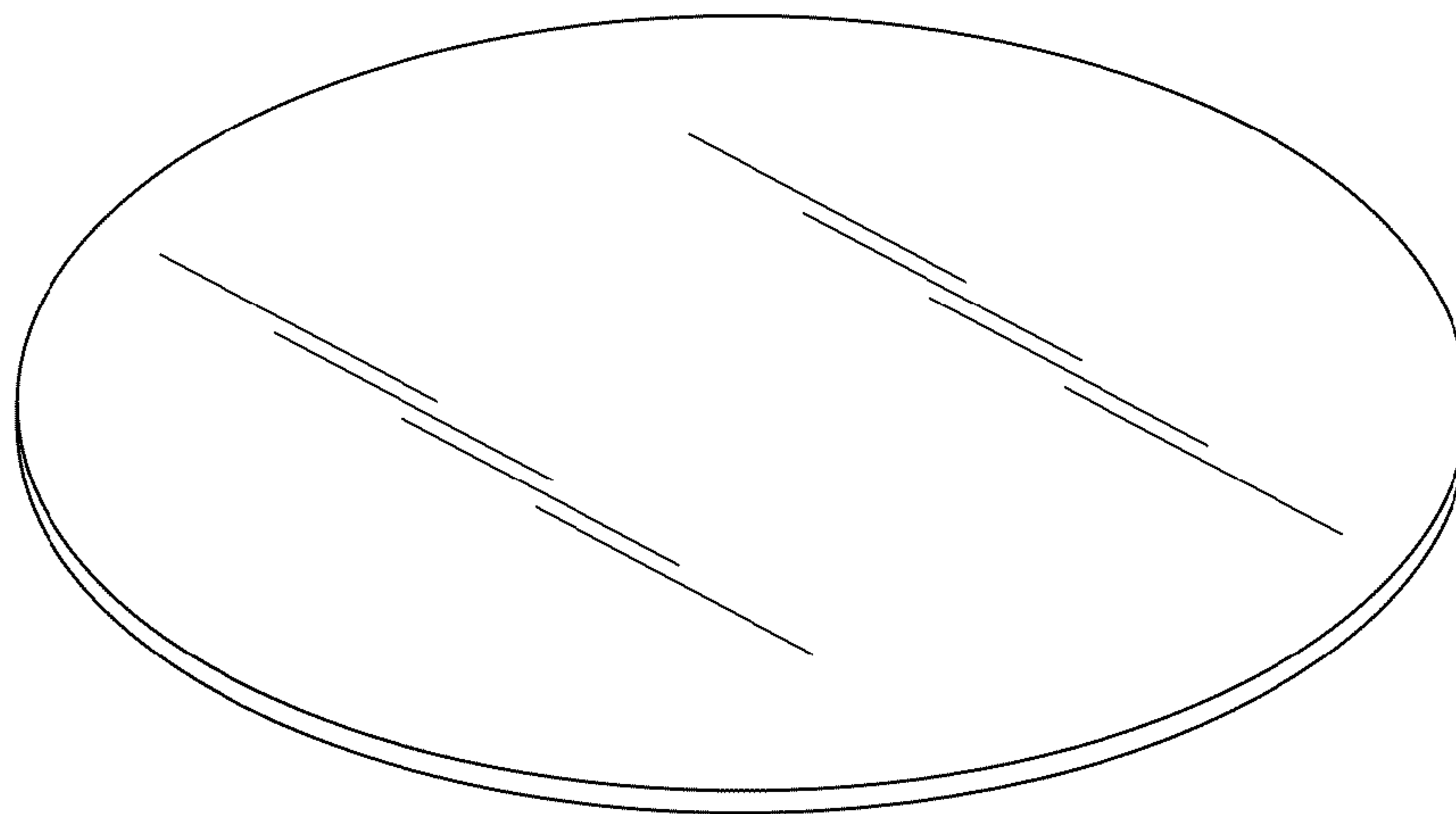


FIG. 20

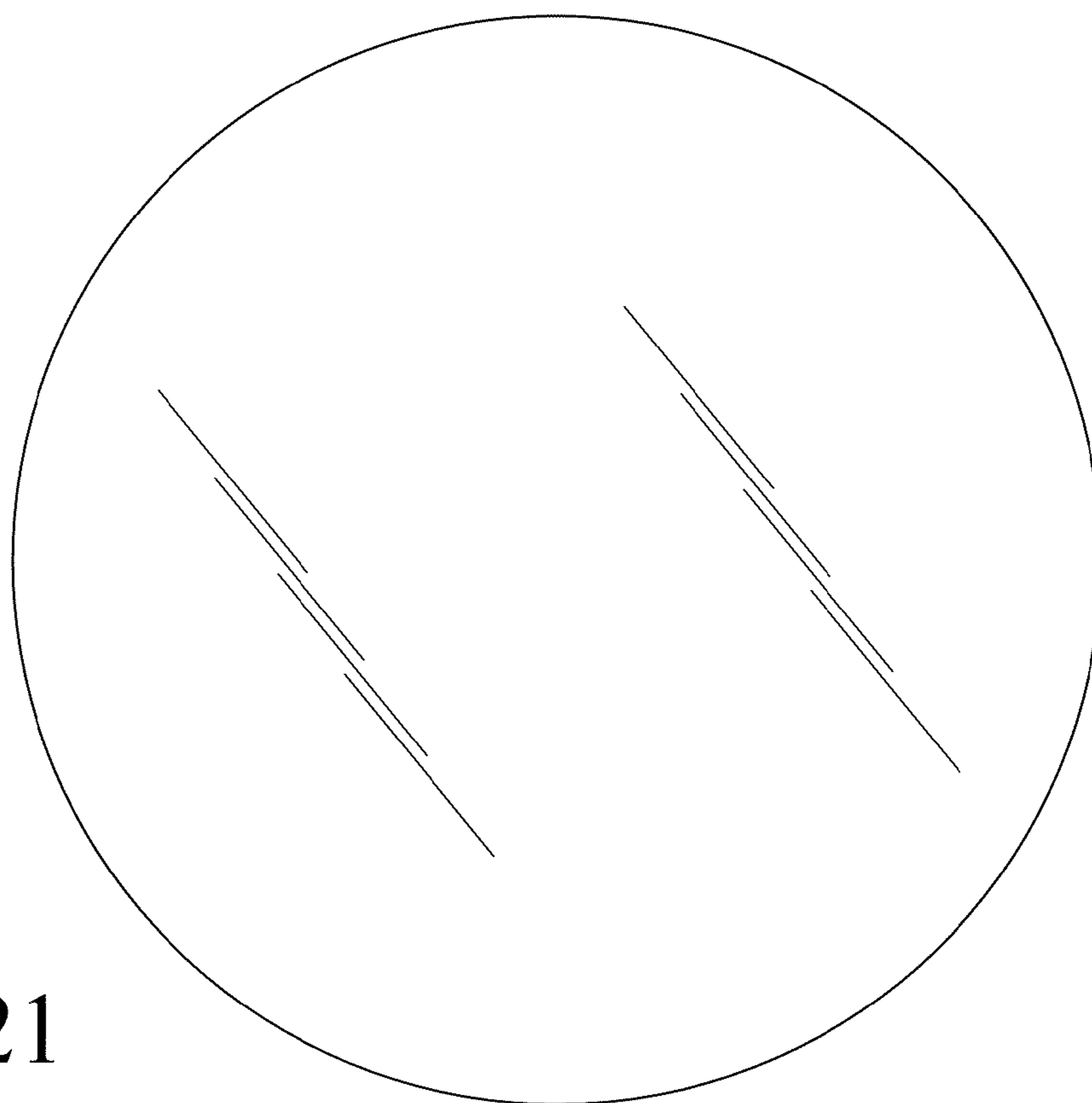


FIG. 21

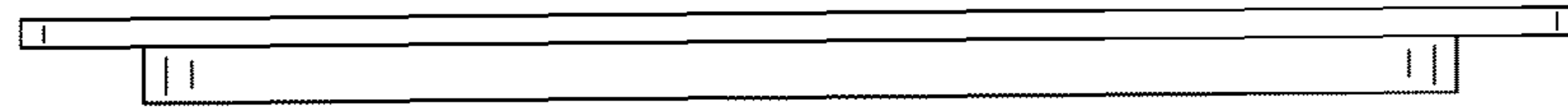


FIG. 22

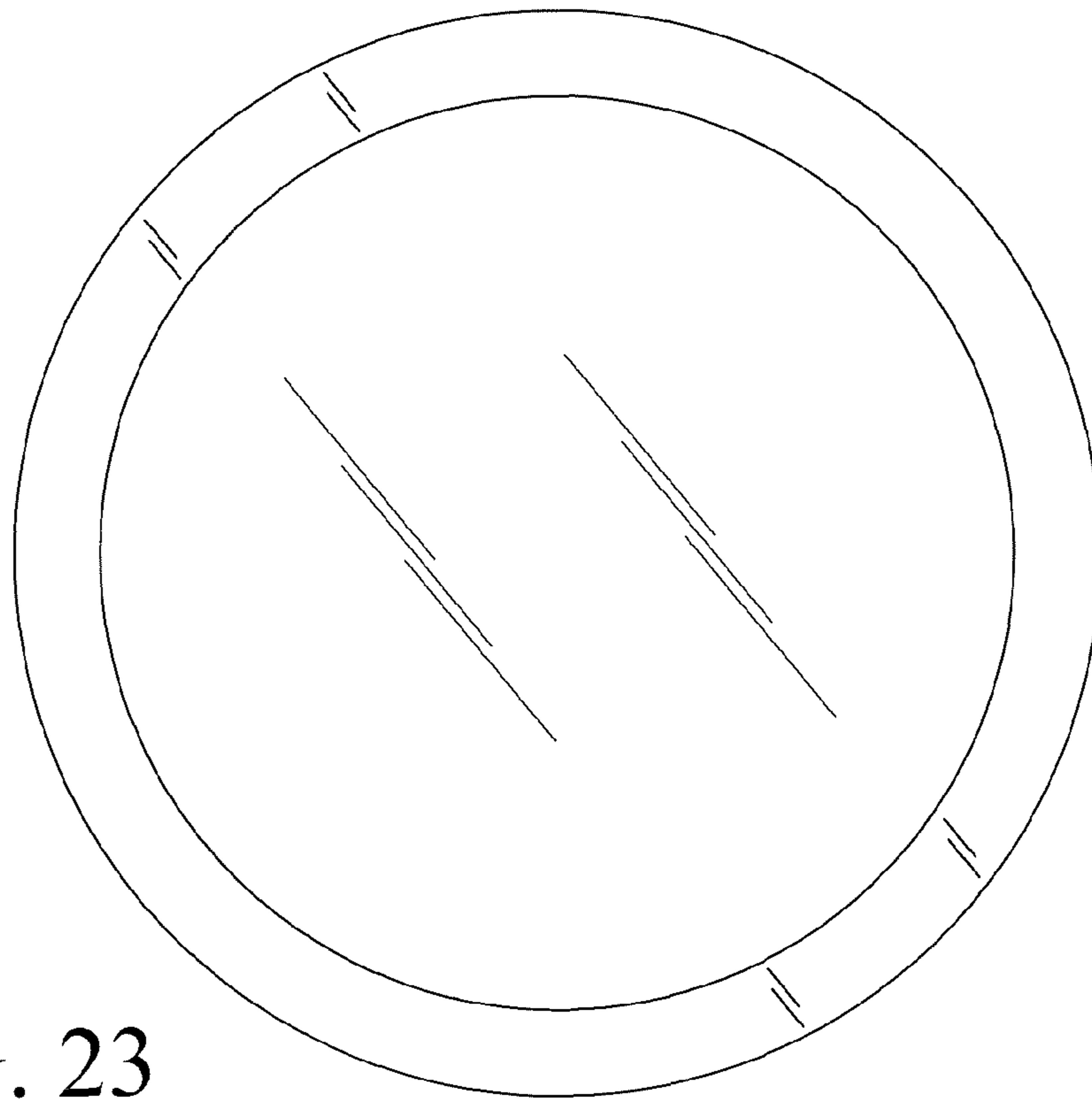


FIG. 23