



US00D656337S

(12) **United States Design Patent**  
**Townsend**

(10) **Patent No.:** **US D656,337 S**  
(45) **Date of Patent:** **\*\* Mar. 27, 2012**

(54) **WEDGE CHAIR**

(75) Inventor: **Richard W. Townsend**, Katonah, NY  
(US)

(73) Assignee: **Richard Townsend**, Katonah, NY (US)

(\*\*) Term: **14 Years**

(21) Appl. No.: **29/372,176**

(22) Filed: **Oct. 27, 2010**

(51) **LOC (9) Cl.** ..... **06-01**

(52) **U.S. Cl.** ..... **D6/380**

(58) **Field of Classification Search** ..... D6/334-336,  
D6/360-369, 372-380, 498, 500-502, 601;  
297/284.4-284.5, 291, 297, 411.2, 411.27-411.29,  
297/451.1, 452.13, 452.19, 452.21, 452.29,  
297/452.3, 452.56, 452.64  
See application file for complete search history.

(56) **References Cited**

**U.S. PATENT DOCUMENTS**

2,439,322 A \* 4/1948 Thaden ..... 297/451.1  
D341,954 S \* 12/1993 Thompson ..... D6/374

D489,193 S \* 5/2004 Muller ..... D6/380  
D526,796 S \* 8/2006 Charlton ..... D6/363  
D568,626 S \* 5/2008 Gharabegian ..... D6/374  
D585,207 S \* 1/2009 Bauchet ..... D6/375  
D595,515 S \* 7/2009 Collette ..... D6/334  
D603,174 S \* 11/2009 Dordoni ..... D6/334

\* cited by examiner

*Primary Examiner* — Ricky Pham

(57) **CLAIM**

The ornamental design for a wedge chair, as shown and described.

**DESCRIPTION**

FIG. 1 is a perspective view of a wedge chair embodying the new design.

FIG. 2 is a front view of the chair.

FIG. 3 is a right side view of the chair.

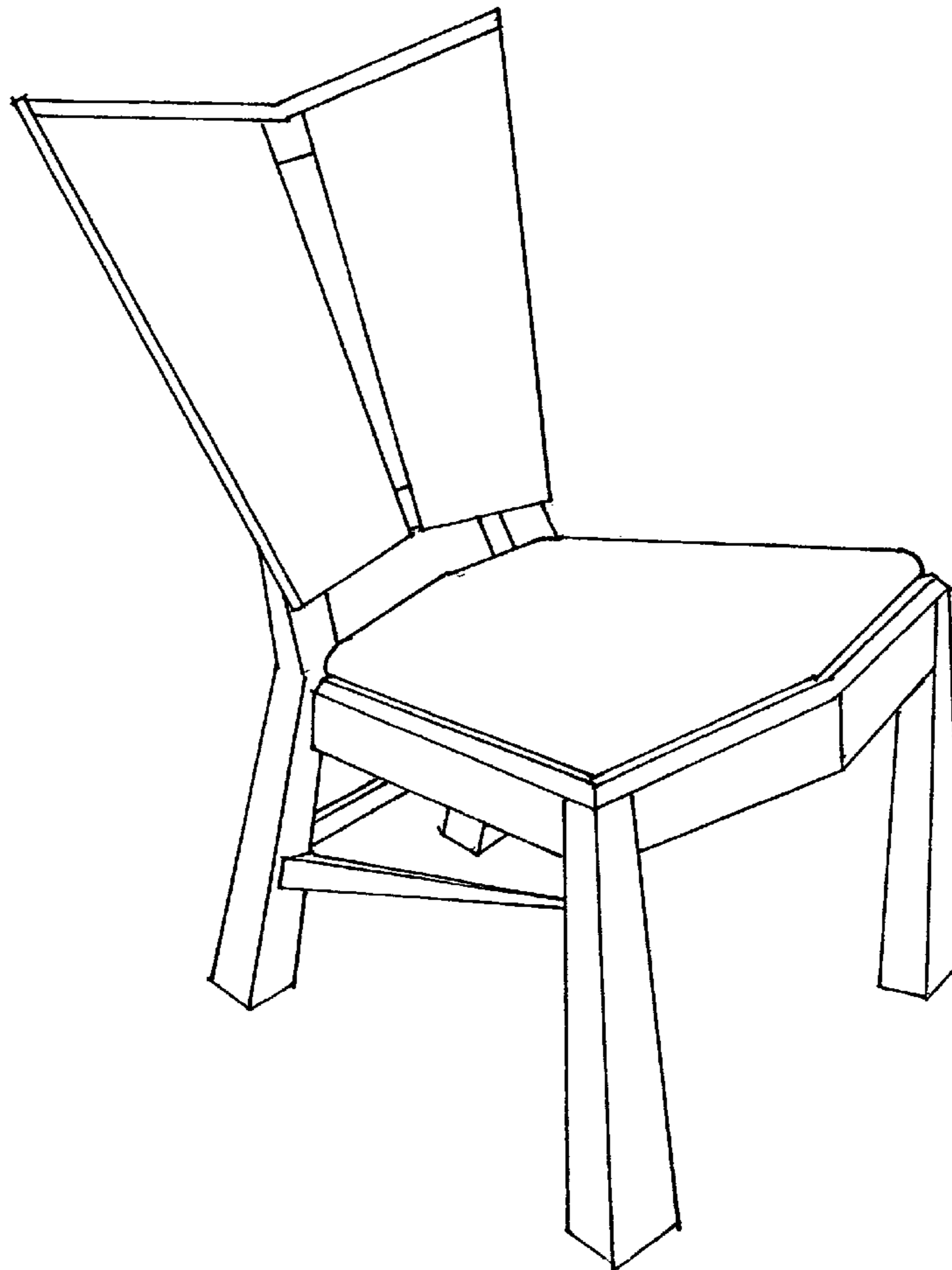
FIG. 4 is a left side view of the chair.

FIG. 5 is a rear view of the chair.

FIG. 6 is a top plan view of the chair; and,

FIG. 7 is an underside plan view of the chair.

**1 Claim, 7 Drawing Sheets**



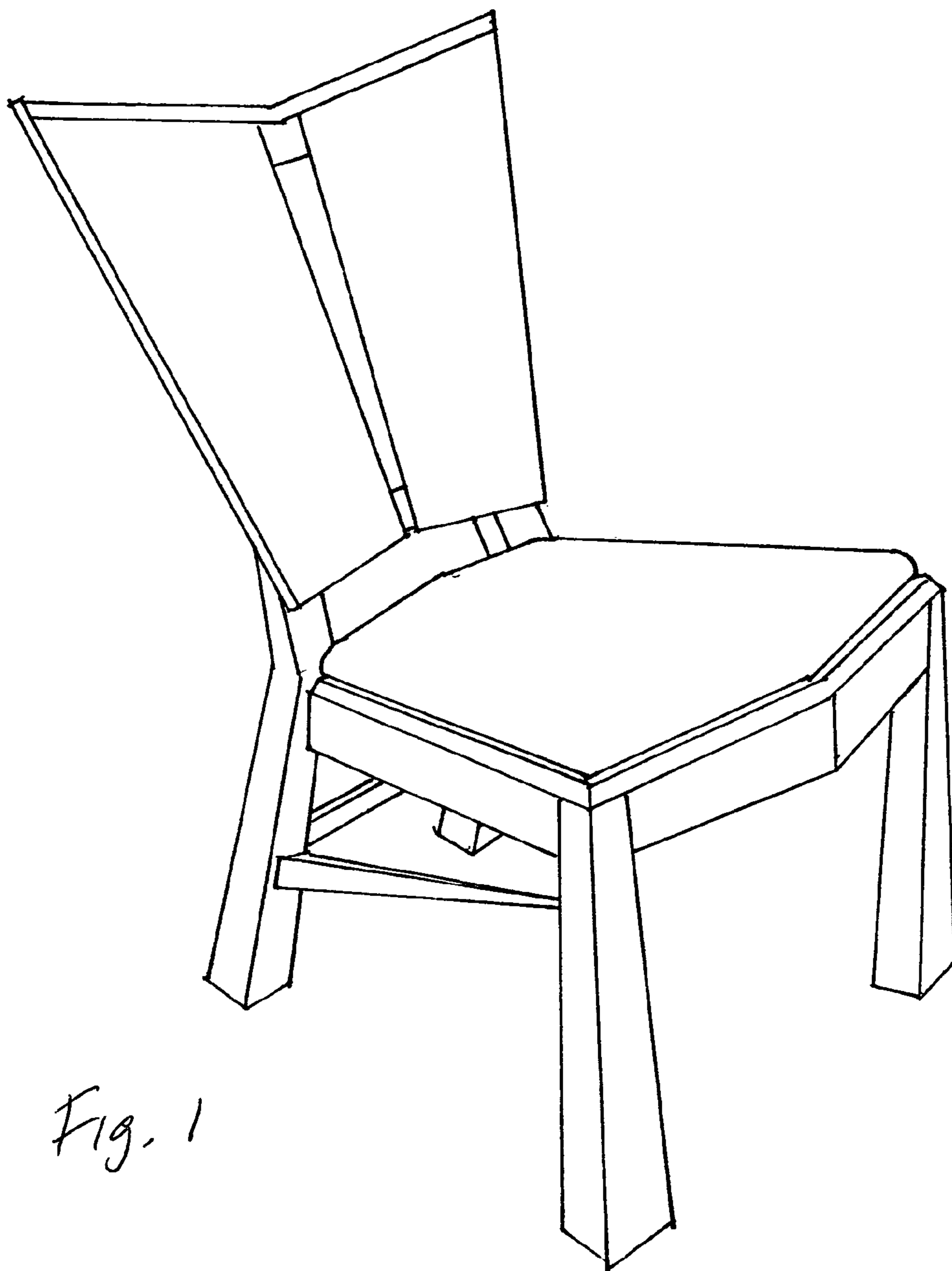


Fig. 1

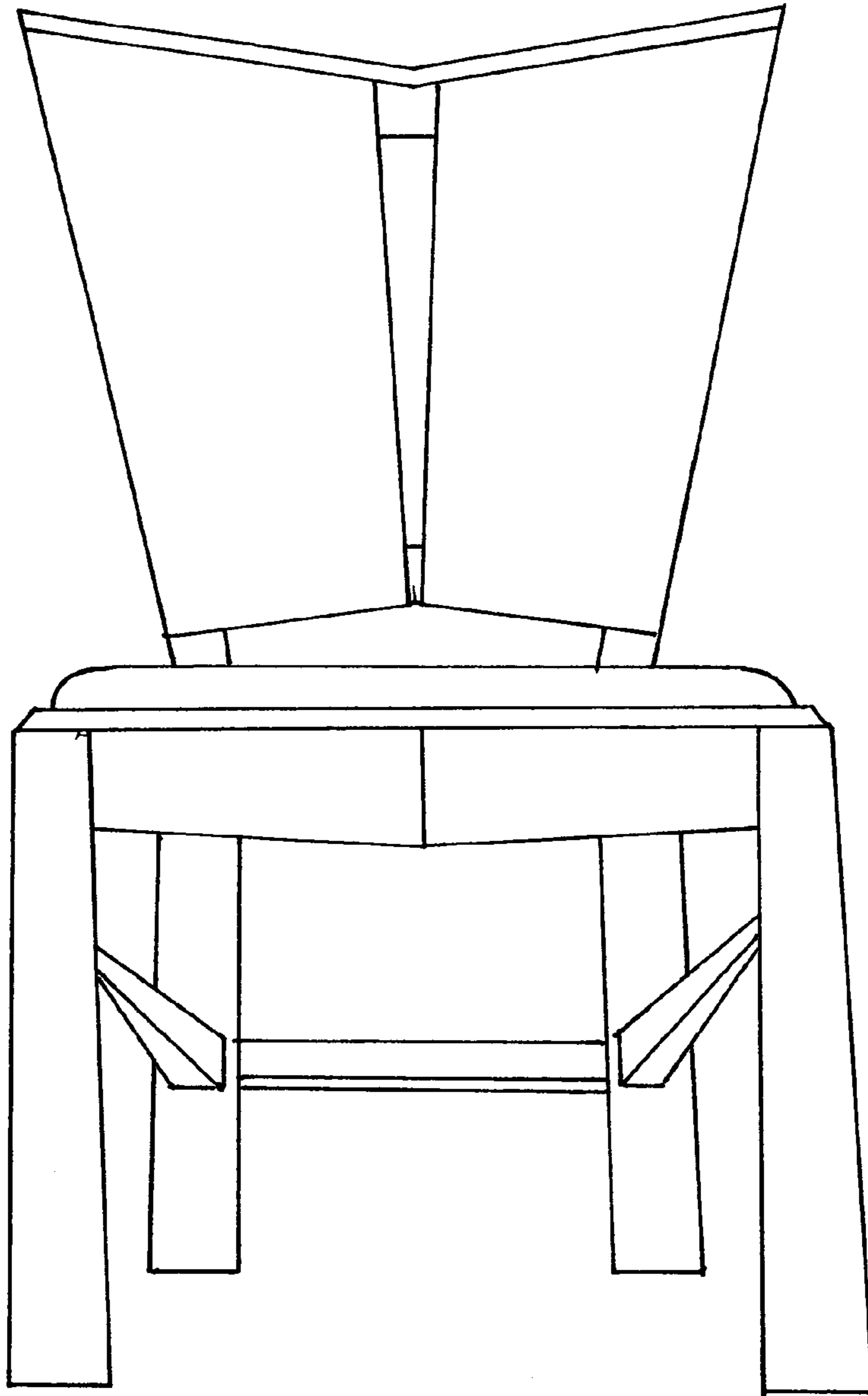


Fig. 2

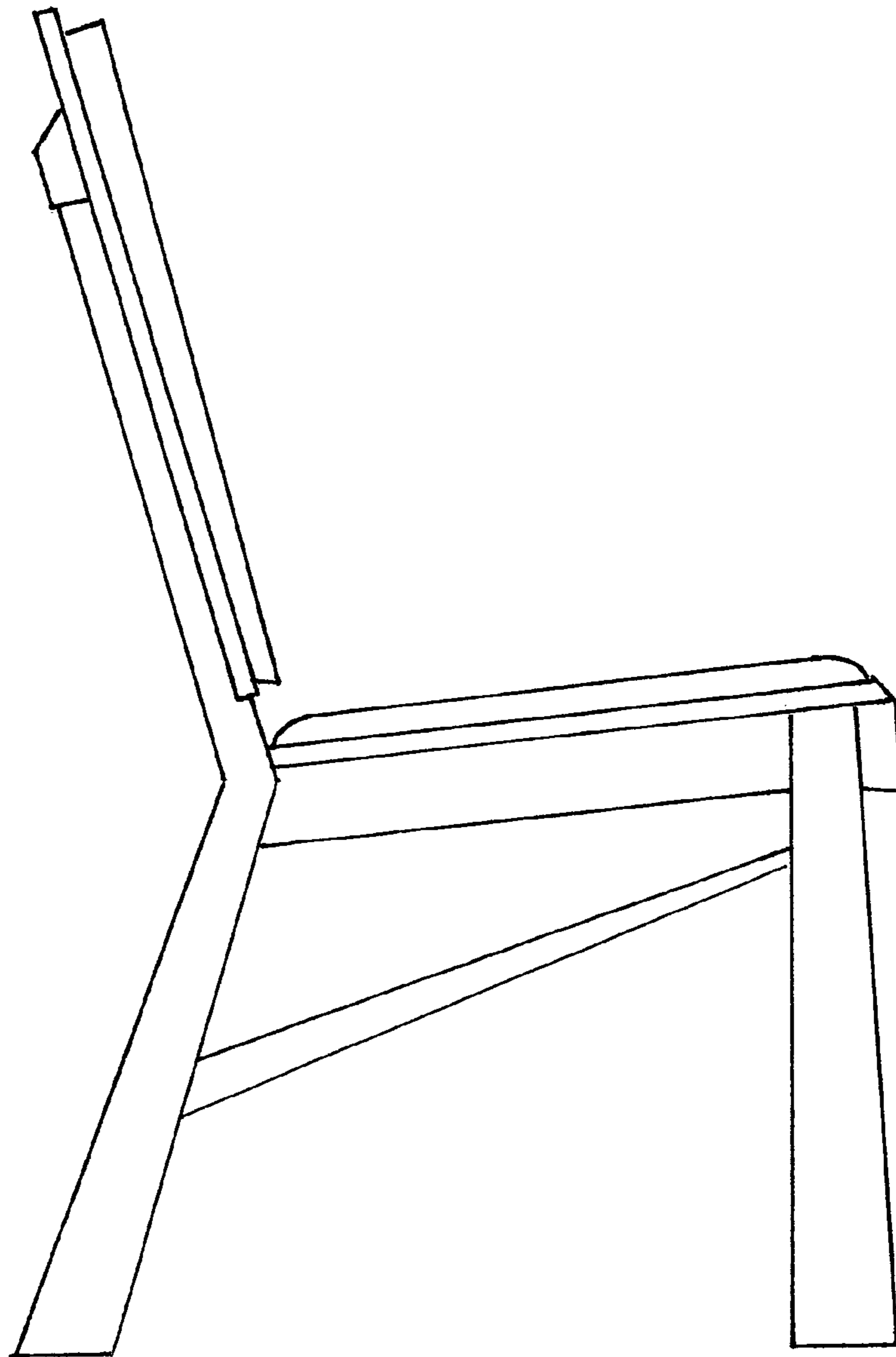


Fig. 3

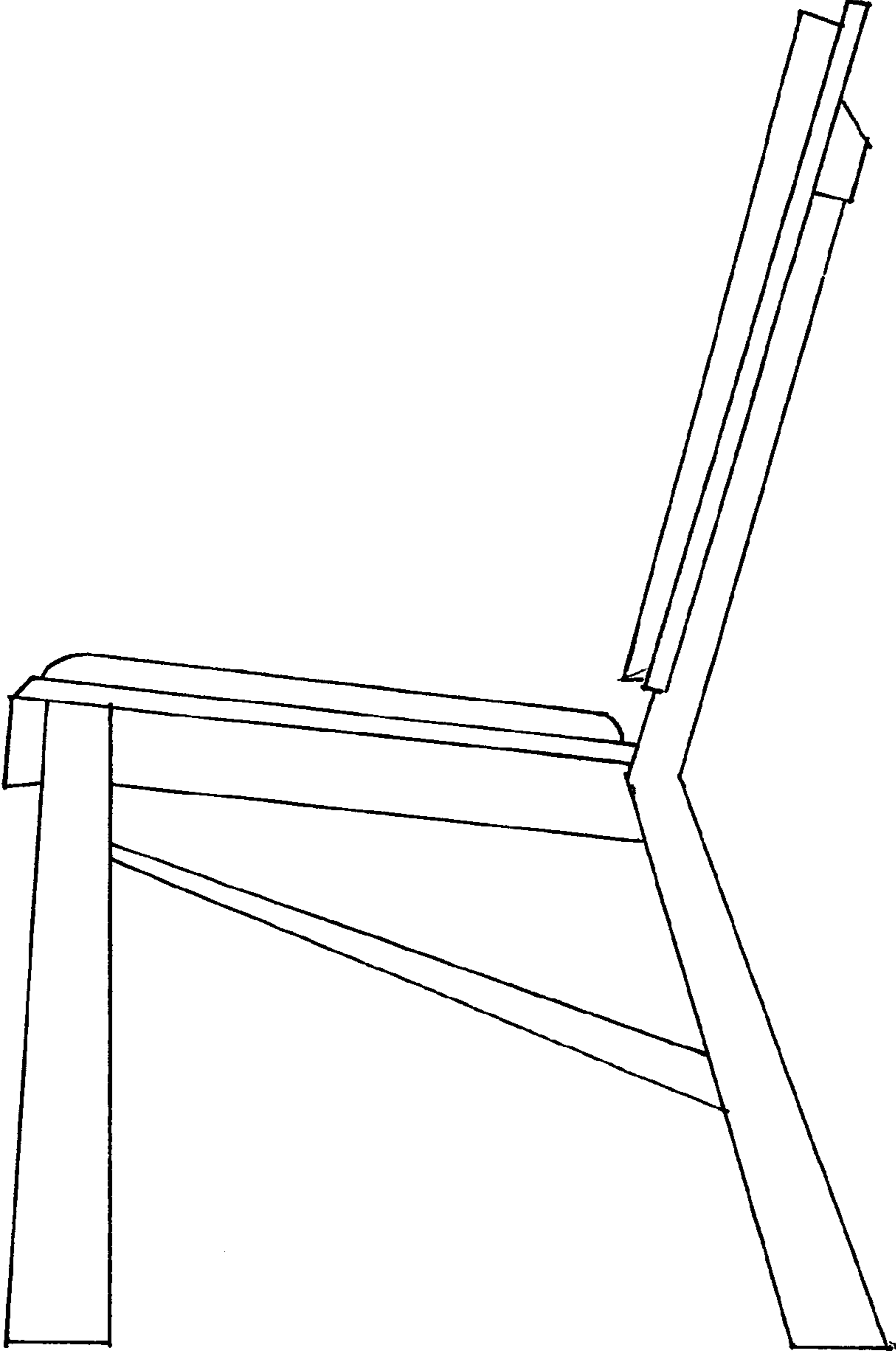


Fig. 4

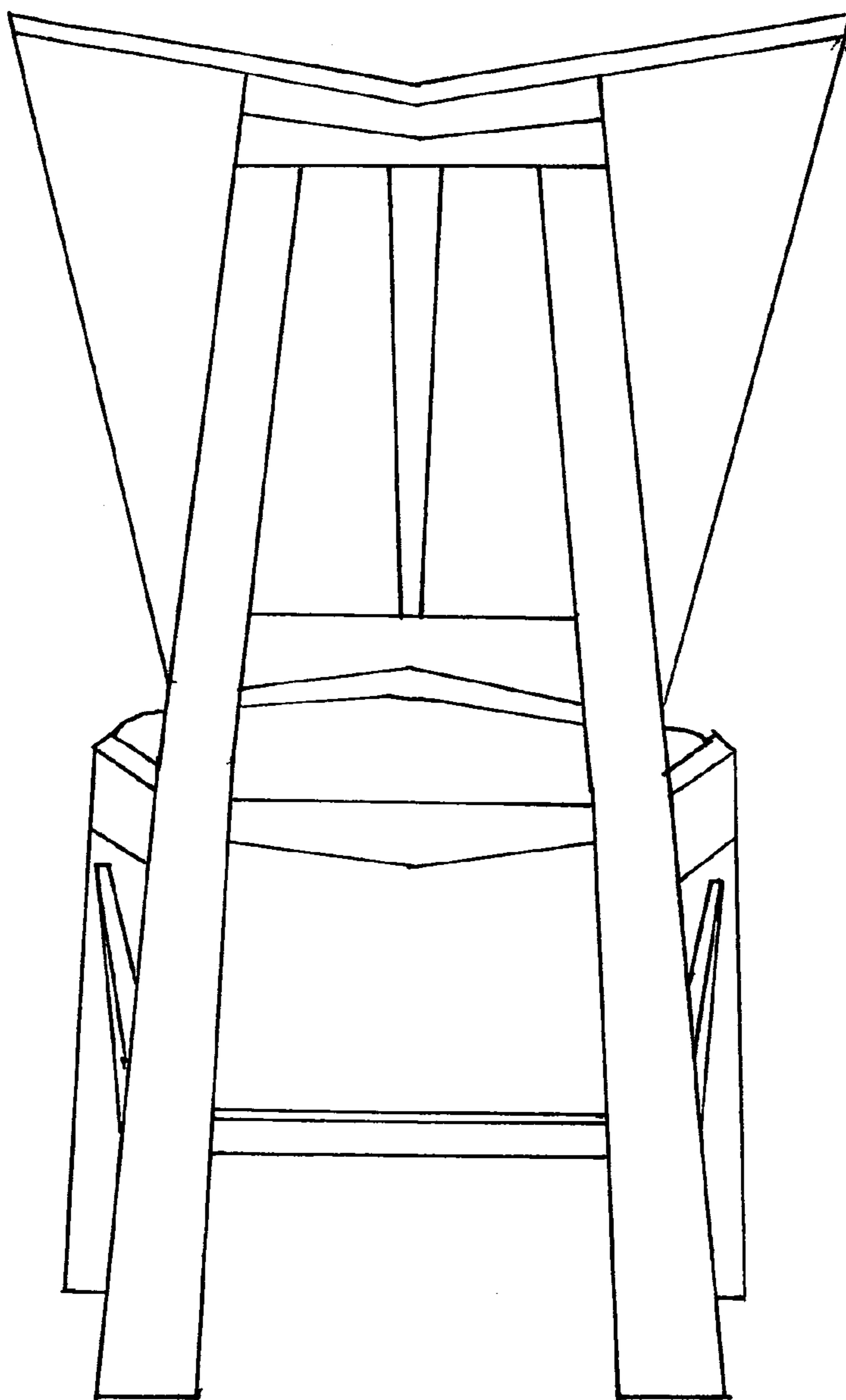
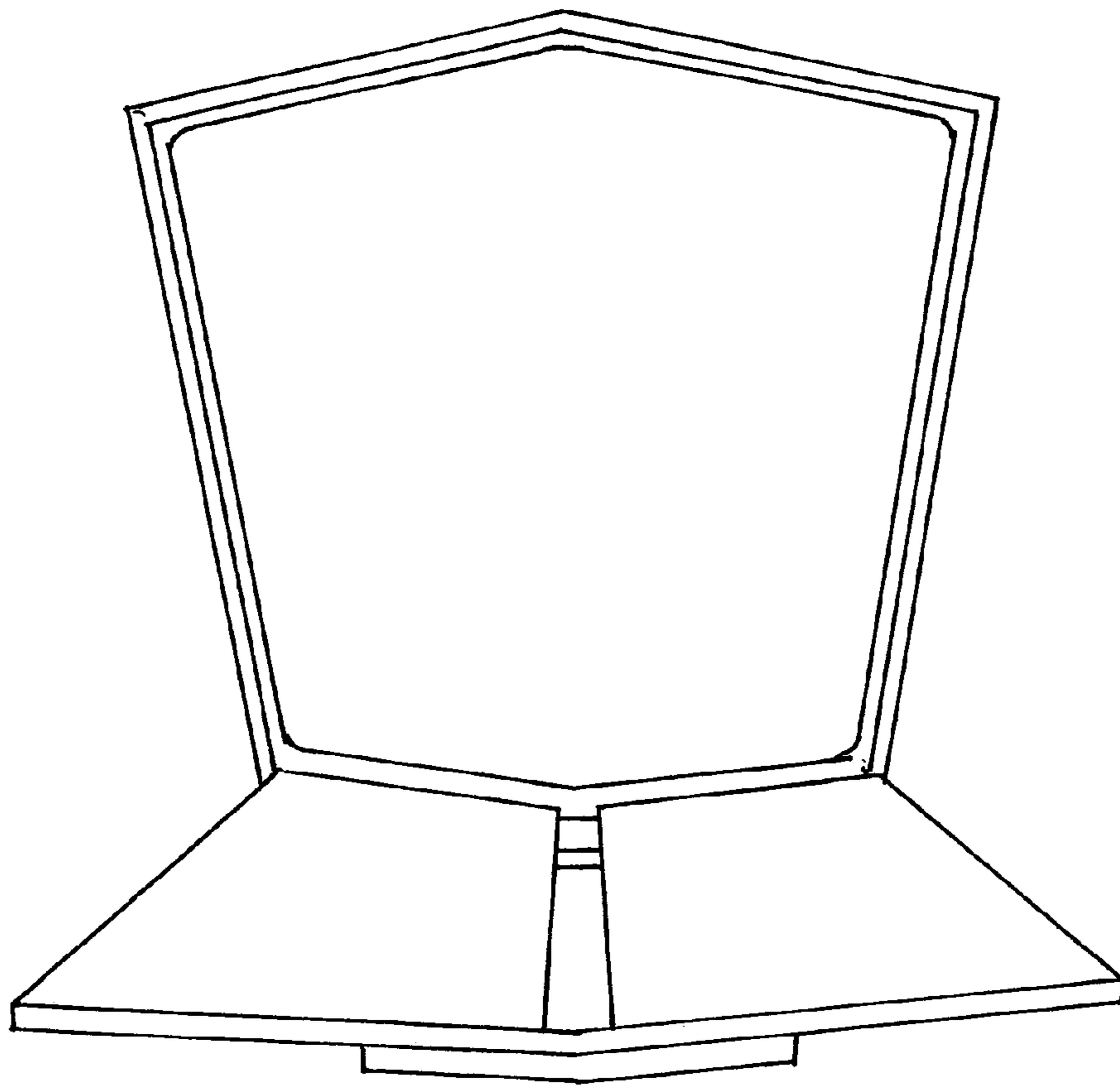


Fig. 5



*Fig. 6*

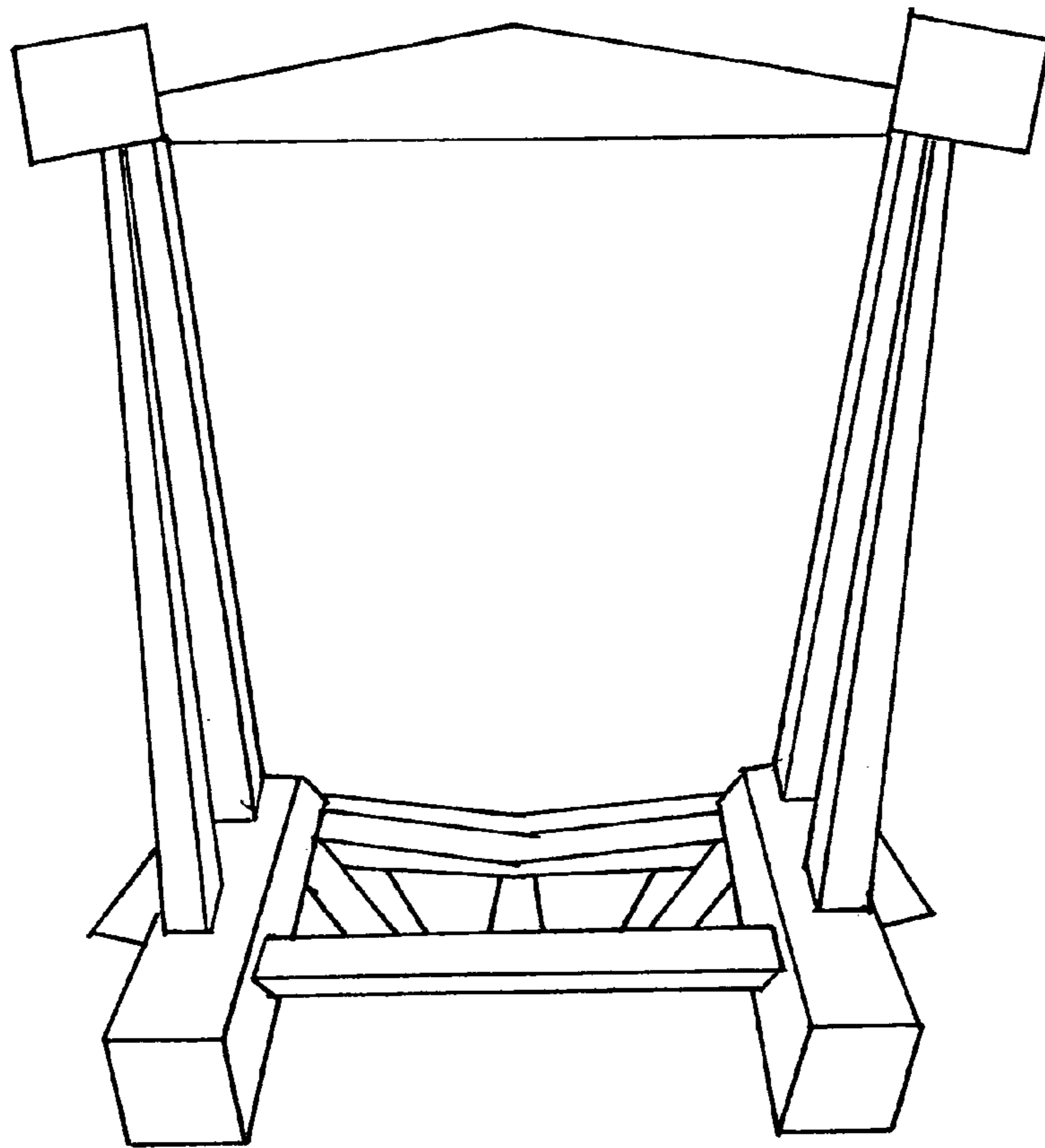


Fig. 7