



US00D656331S

(12) **United States Design Patent**  
**Kita**

(10) **Patent No.:** **US D656,331 S**

(45) **Date of Patent:** **\*\* Mar. 27, 2012**

(54) **MESSAGE CHAIR**

(75) Inventor: **Toshiyuki Kita**, Hyogo (JP)

(73) Assignee: **Family Co., Ltd.**, Osaka-shi, Osaka (JP)

(\*\*) Term: **14 Years**

(21) Appl. No.: **29/347,772**

(22) Filed: **May 28, 2010**

(30) **Foreign Application Priority Data**

Jan. 30, 2010 (JP) ..... D2010-002197

(51) **LOC (9) Cl.** ..... **06-01**

(52) **U.S. Cl.** ..... **D6/367**

(58) **Field of Classification Search** ..... D6/334-336,  
D6/360, 361, 367, 371, 373, 379, 392, 500-502;  
297/68, 271.1, 271.2, 271.3, 353, 354.1,  
297/440.1, 411.45, 423.19, 423.3; 601/90,  
601/91, 97-99, 102, 115, 116, 148, 149

See application file for complete search history.

(56) **References Cited**

**U.S. PATENT DOCUMENTS**

D372,801 S \* 8/1996 Fujimoto et al. .... D6/367  
D471,372 S \* 3/2003 Inada et al. .... D6/367  
D491,375 S \* 6/2004 Yuyama ..... D6/335  
D502,607 S \* 3/2005 Miyake et al. .... D6/335  
D517,337 S \* 3/2006 Mori ..... D6/367

D536,891 S \* 2/2007 Miyake et al. .... D6/367  
D536,896 S \* 2/2007 Kawamura ..... D6/367  
D537,644 S \* 3/2007 Kawamura ..... D6/367  
D540,053 S \* 4/2007 Kimoto ..... D6/367  
D544,224 S \* 6/2007 Zhuo ..... D6/367  
D577,923 S \* 10/2008 Kita ..... D6/367  
D580,671 S \* 11/2008 Aoki et al. .... D6/367  
D609,932 S \* 2/2010 Lee ..... D6/367

\* cited by examiner

*Primary Examiner* — Mimoso De

(74) *Attorney, Agent, or Firm* — Drinker Biddle & Reath LLP

(57) **CLAIM**

The ornamental design for massage chair, as shown and described.

**DESCRIPTION**

FIG. 1 is a perspective view of the front, right side and top plan of massage chair showing my new design;

FIG. 2 is a front view thereof;

FIG. 3 is a rear view thereof;

FIG. 4 is a right side view thereof;

FIG. 5 is a top plan view thereof;

FIG. 6 is a bottom view thereof;

FIG. 7 is a right side view showing reclined condition thereof; and,

FIG. 8 is a front view with air bag part in inflated condition thereof.

The broken lines represent the portions of the design that form no part of the claim.

**1 Claim, 8 Drawing Sheets**

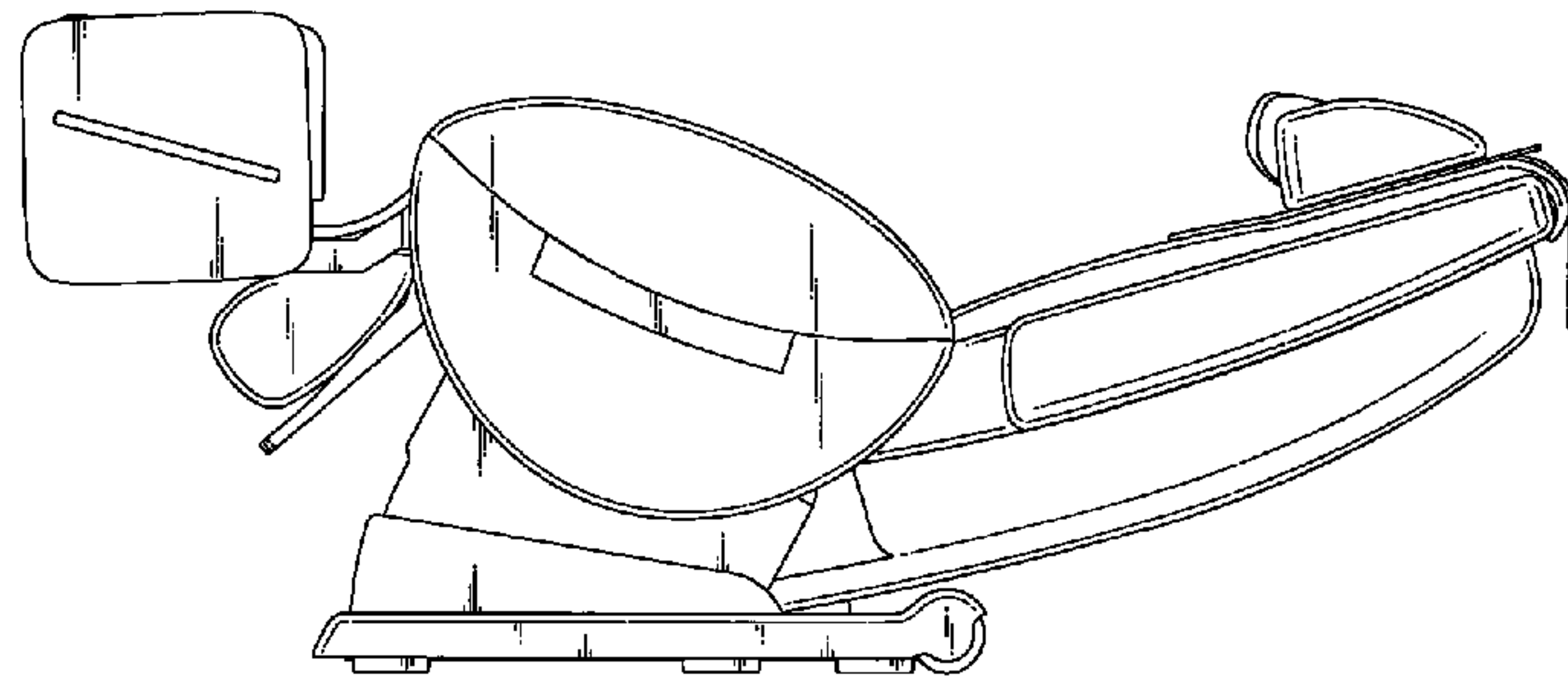
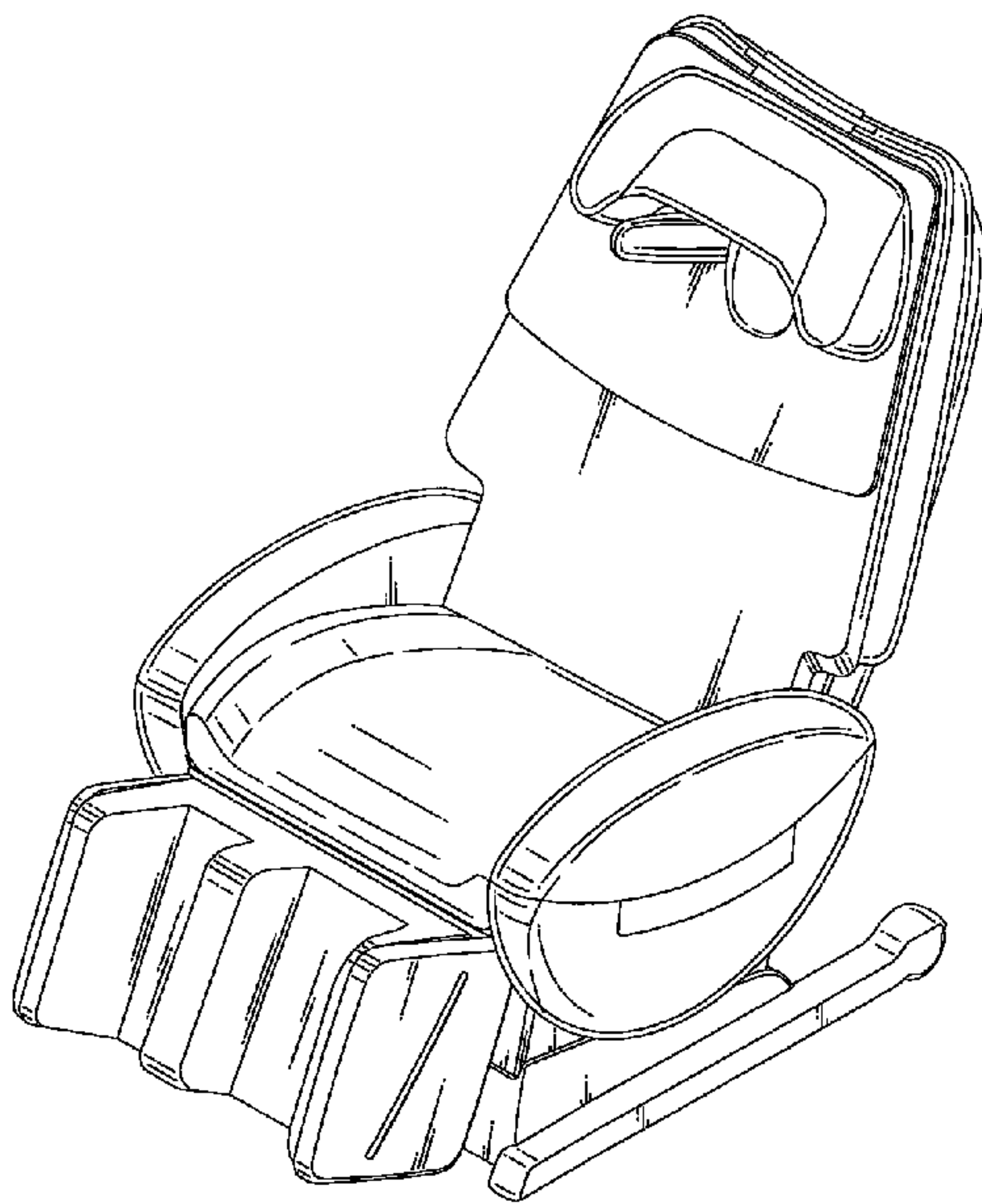


FIG. 1

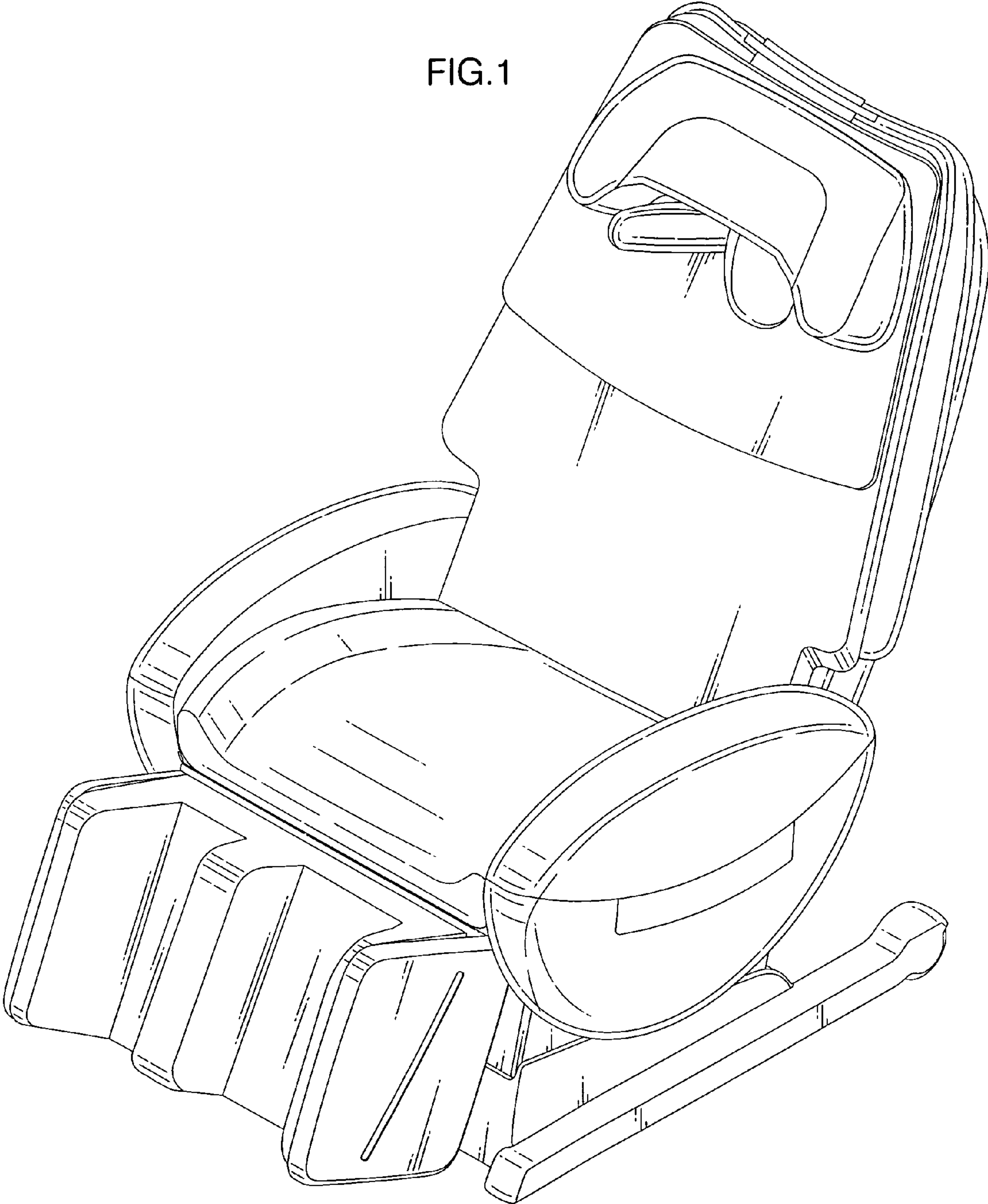


FIG.2

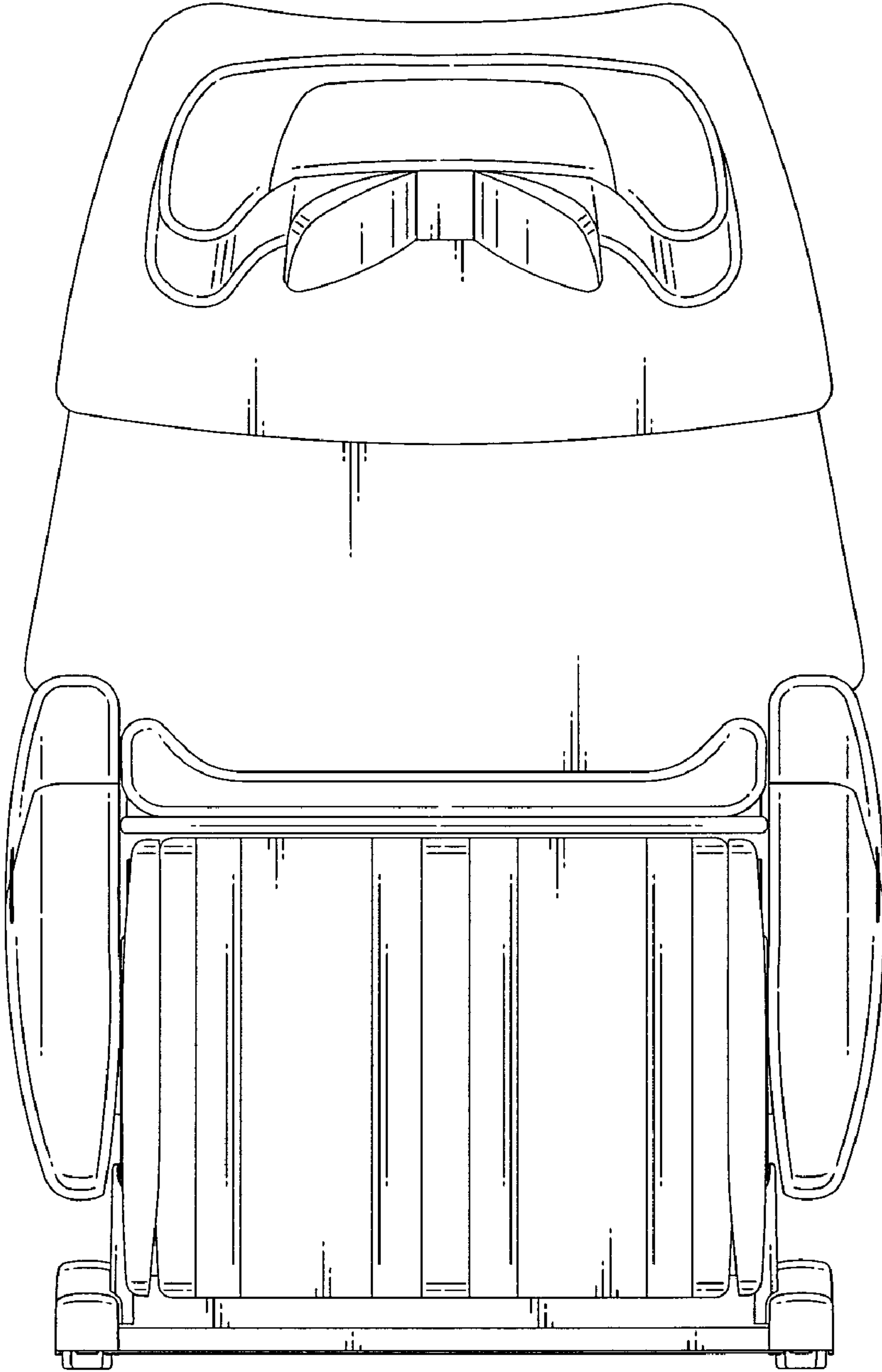


FIG.3

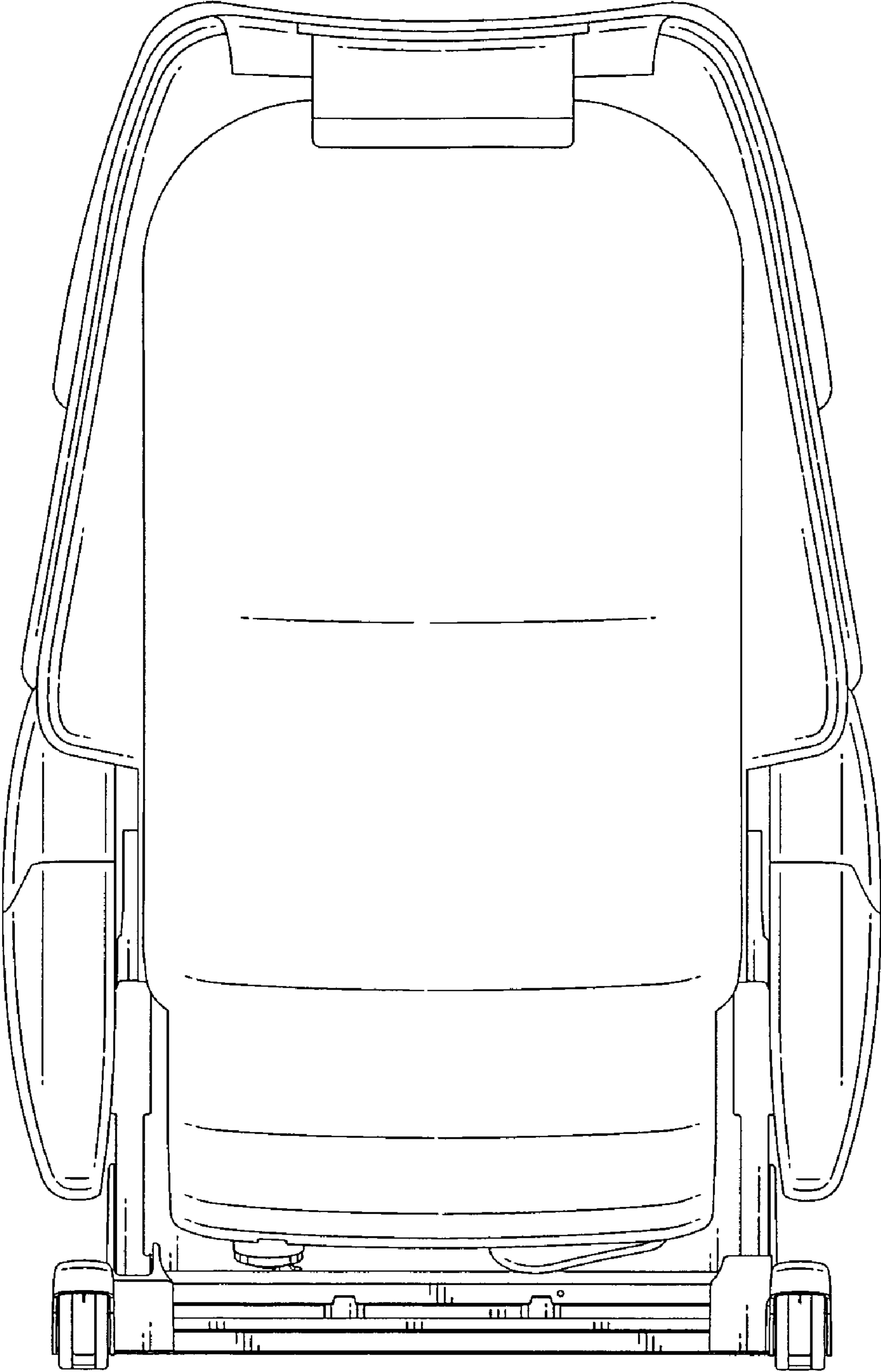




FIG.4

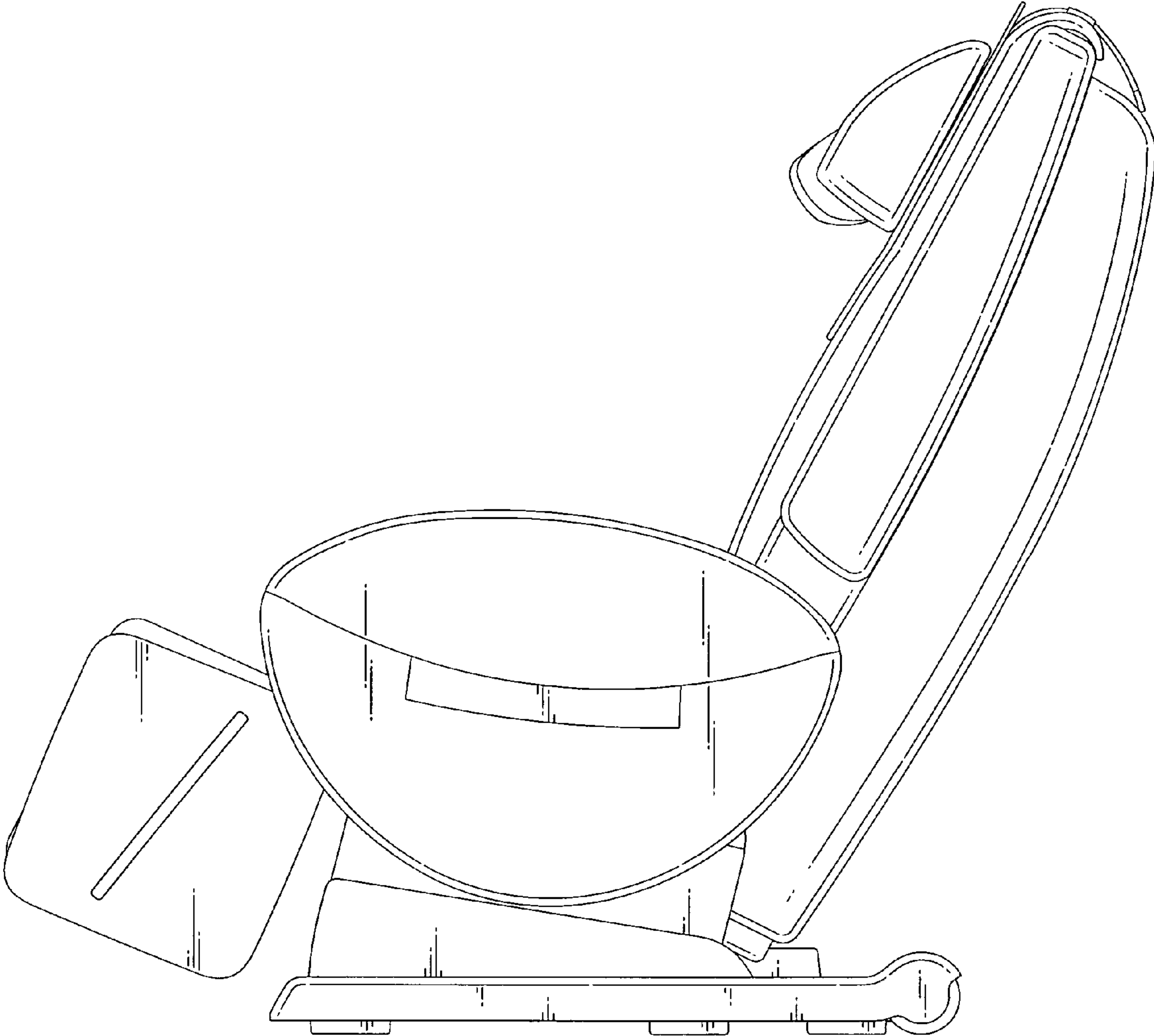


FIG.5

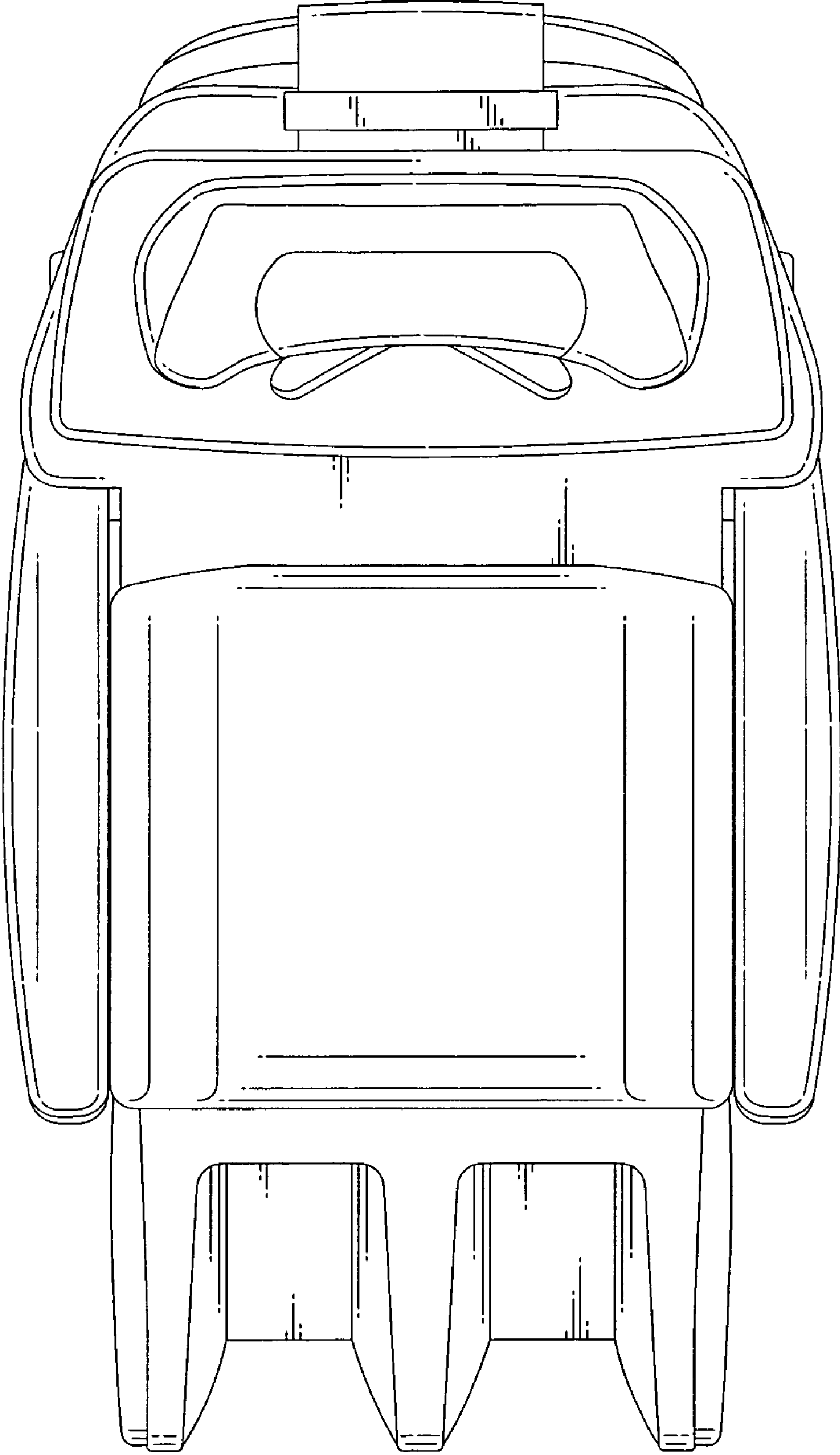
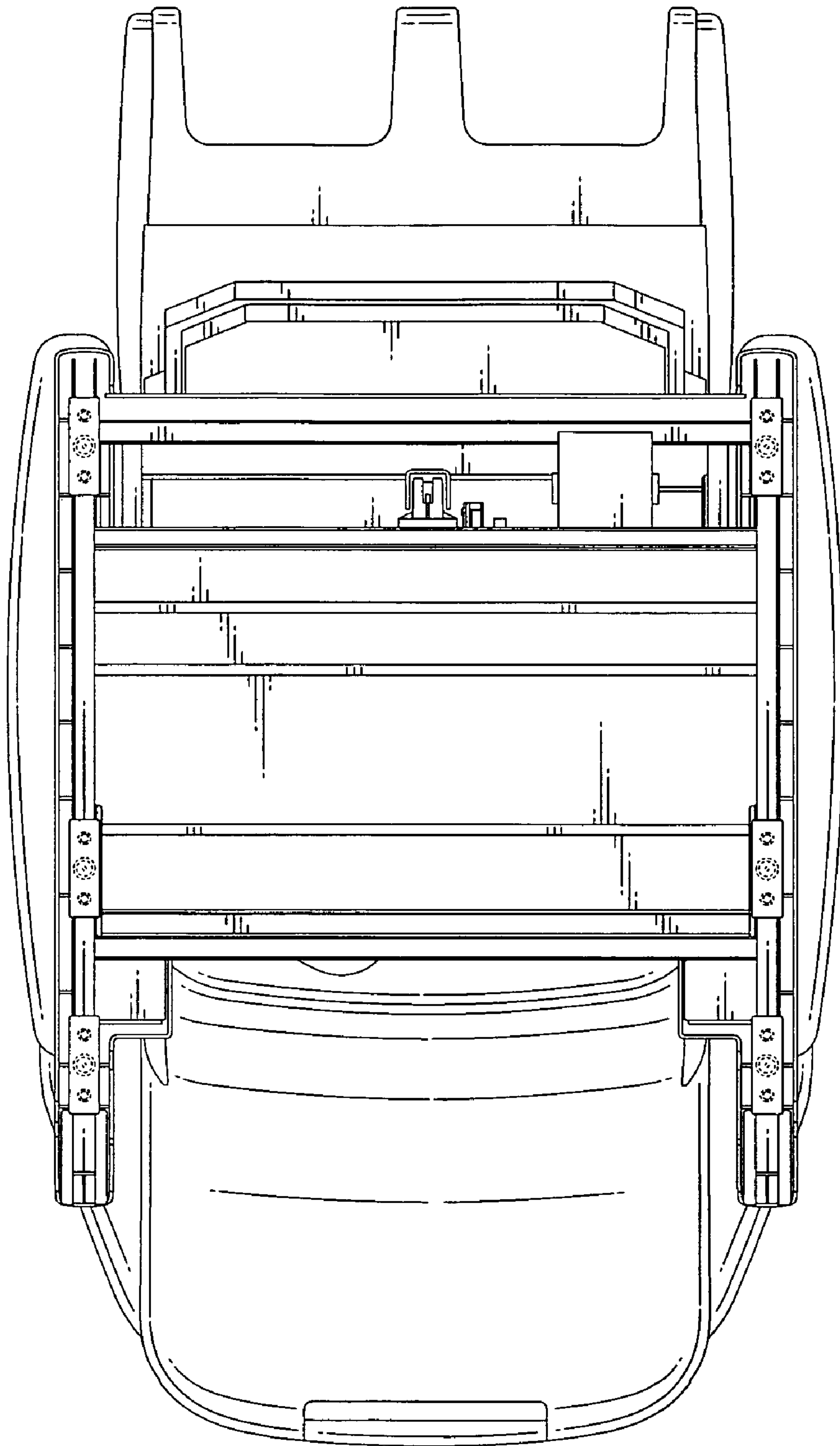


FIG.6



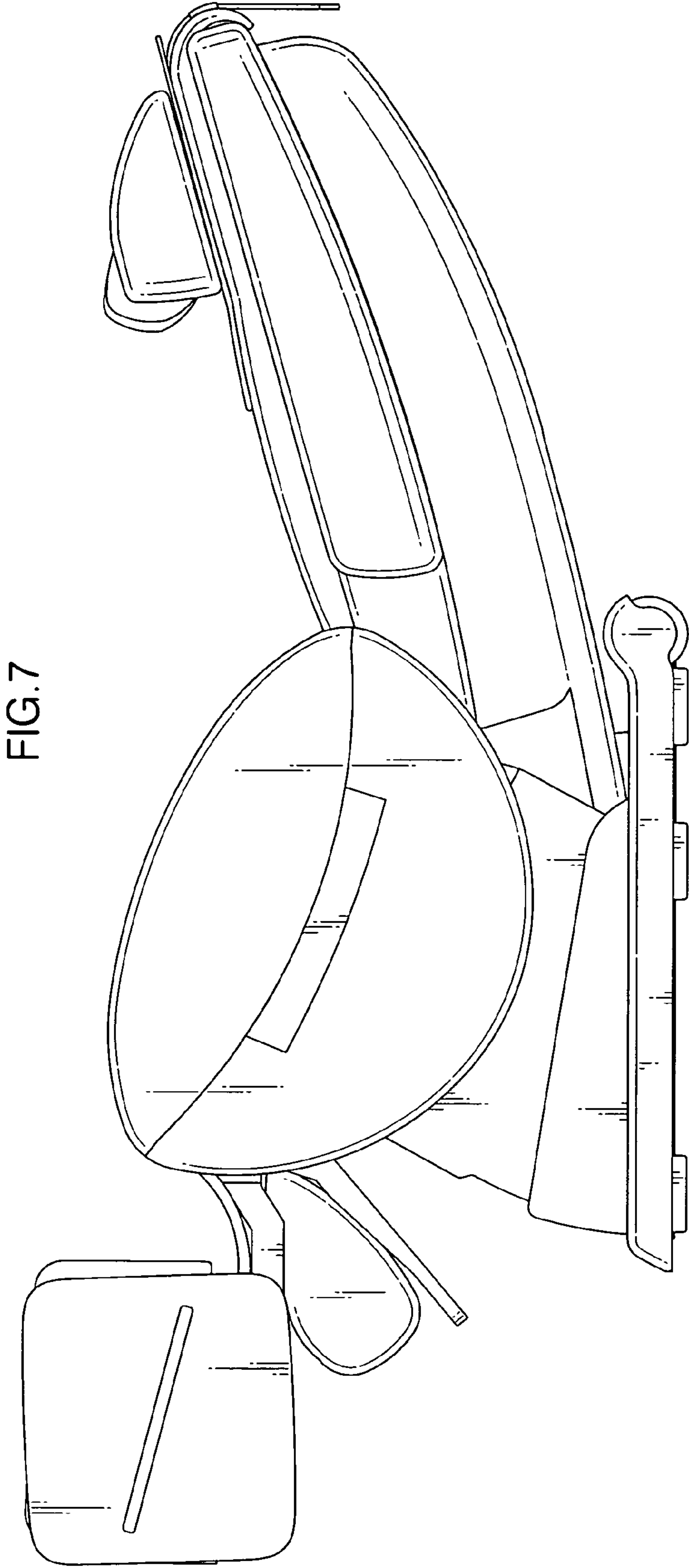




FIG. 8

