



US00D656330S

(12) **United States Design Patent**
Neil

(10) **Patent No.:** **US D656,330 S**
(45) **Date of Patent:** **** Mar. 27, 2012**

(54) **CHAIR**

(75) Inventor: **Gary Neil, Mississauga (CA)**

(73) Assignee: **Allseating Corporation, Mississauga (CA)**

(**) Term: **14 Years**

(21) Appl. No.: **29/369,083**

(22) Filed: **Sep. 2, 2010**

(51) **LOC (9) Cl.** **06-01**

(52) **U.S. Cl.** **D6/366**

(58) **Field of Classification Search** D6/334-336,
D6/356, 364, 365, 366, 367, 374, 379, 500-502;
297/391, 396, 411.2, 411.27, 411.36, 452.29,
297/452.3, 452.35, 452.48

See application file for complete search history.

(56) **References Cited**

U.S. PATENT DOCUMENTS

D445,581 S * 7/2001 Su D6/366
D488,313 S * 4/2004 Seiler D6/366
D523,252 S * 6/2006 Rodriguez Leitao D6/366

D543,039 S * 5/2007 Hara D6/366
D543,042 S * 5/2007 Hara D6/366
D589,271 S * 3/2009 Neil D6/366
D647,717 S * 11/2011 Zund et al. D6/366

* cited by examiner

Primary Examiner — Mimoso De

(74) *Attorney, Agent, or Firm* — Norton Rose Canada LLP

(57) **CLAIM**

The ornamental design for a chair, as shown and described.

DESCRIPTION

FIG. 1 is a front perspective view of the chair.
FIG. 2 is a bottom perspective view of the chair.
FIG. 3 is a right side view of the chair.
FIG. 4 is a front view of the chair.
FIG. 5 is a left side view of the chair.
FIG. 6 is a back view of the chair.
FIG. 7 is a top plan view of the chair; and,
FIG. 8 is a bottom plan view of the chair.
The short dashed lines shown on the headrest, seat and backrest cushion are understood to represent stitching.

1 Claim, 8 Drawing Sheets

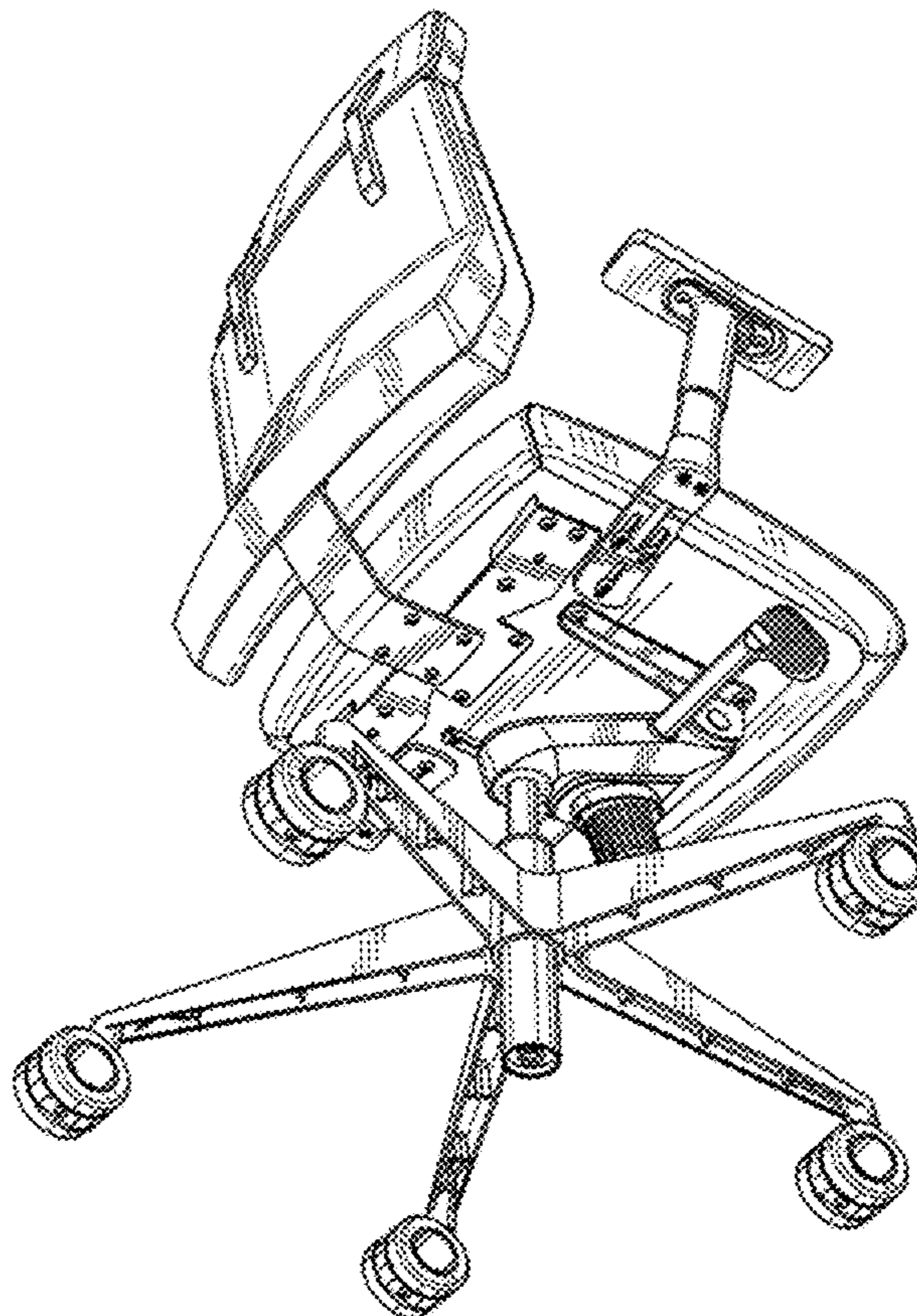
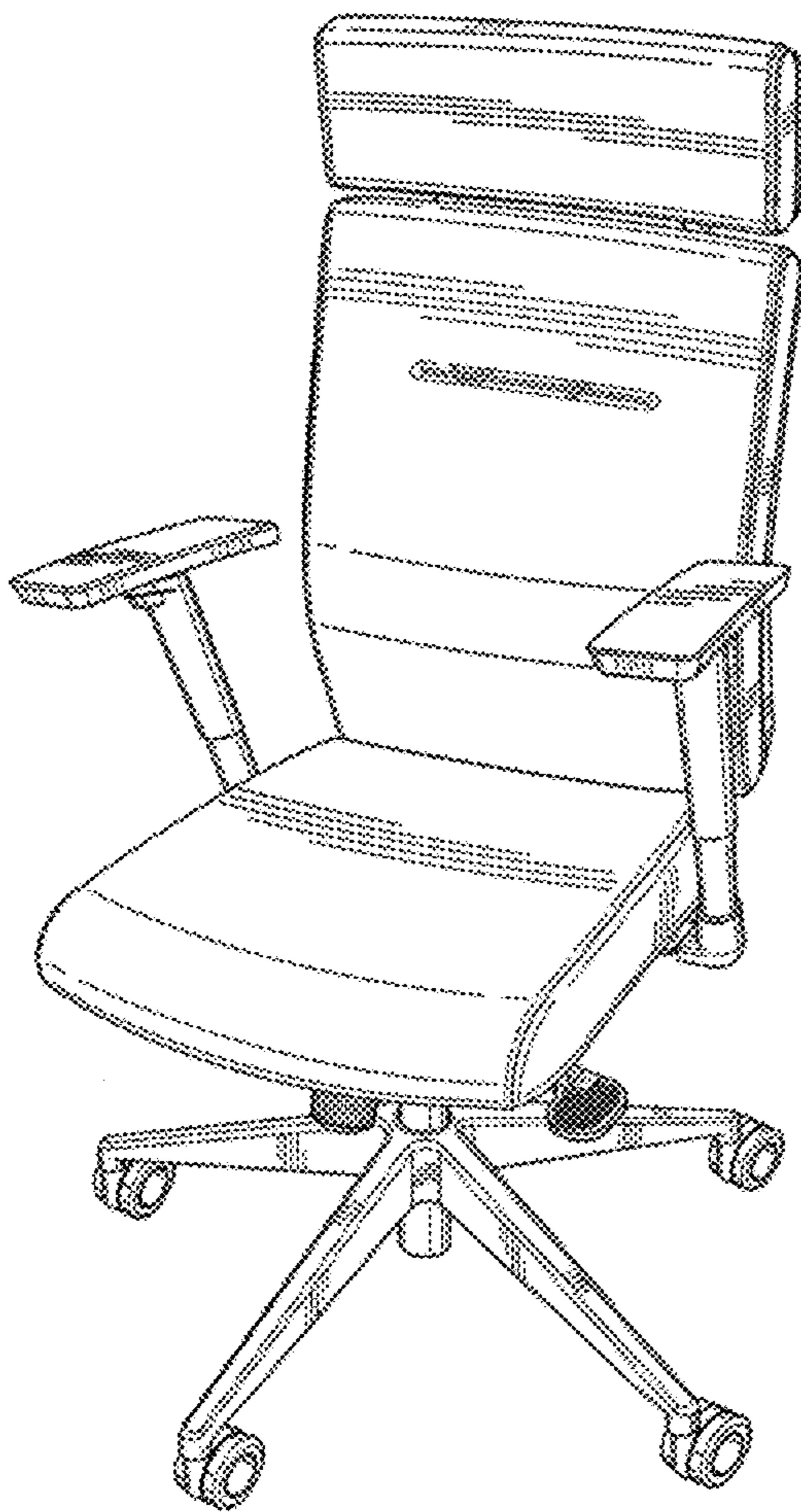




FIG. 1

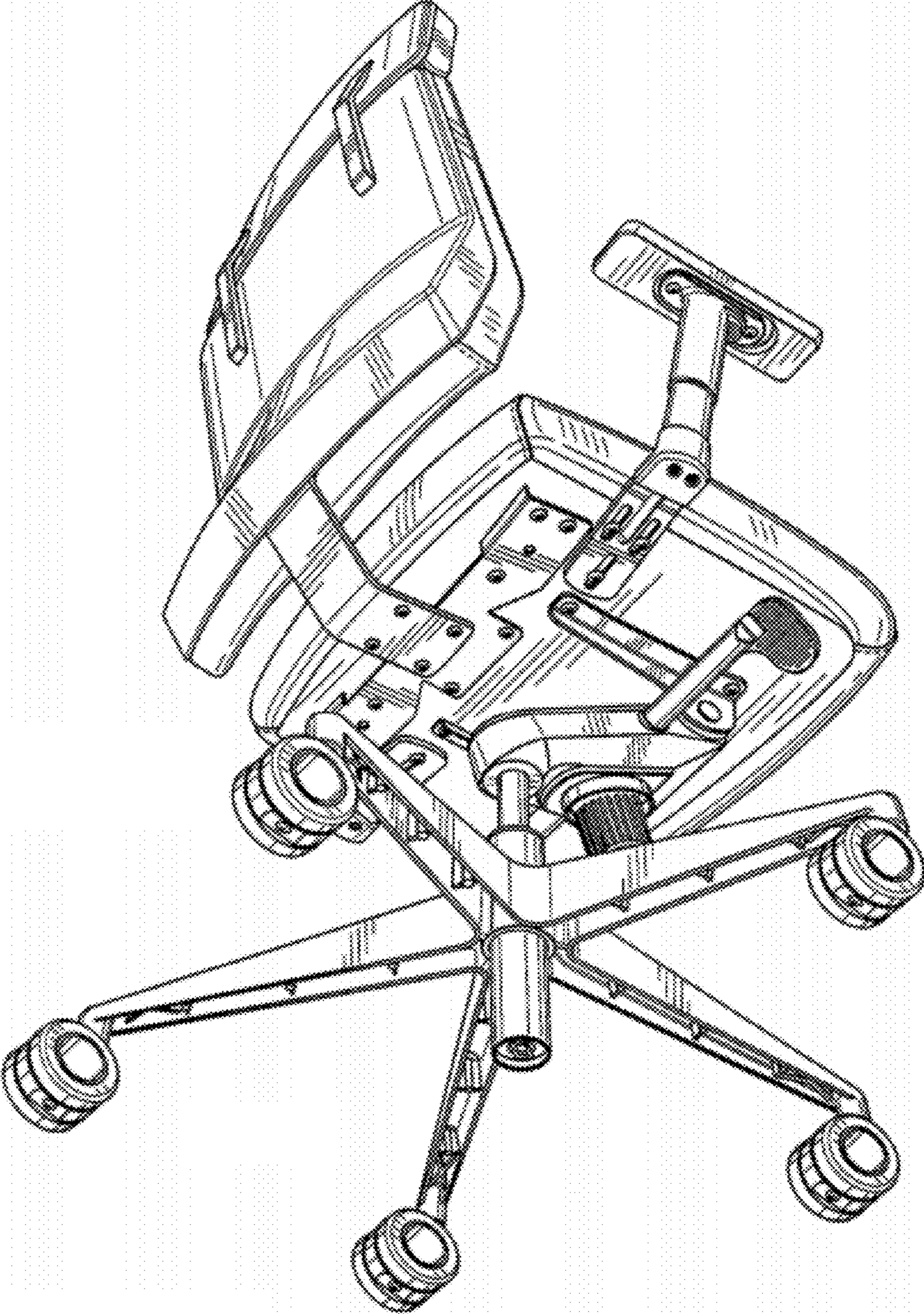


FIG. 2



FIG. 3

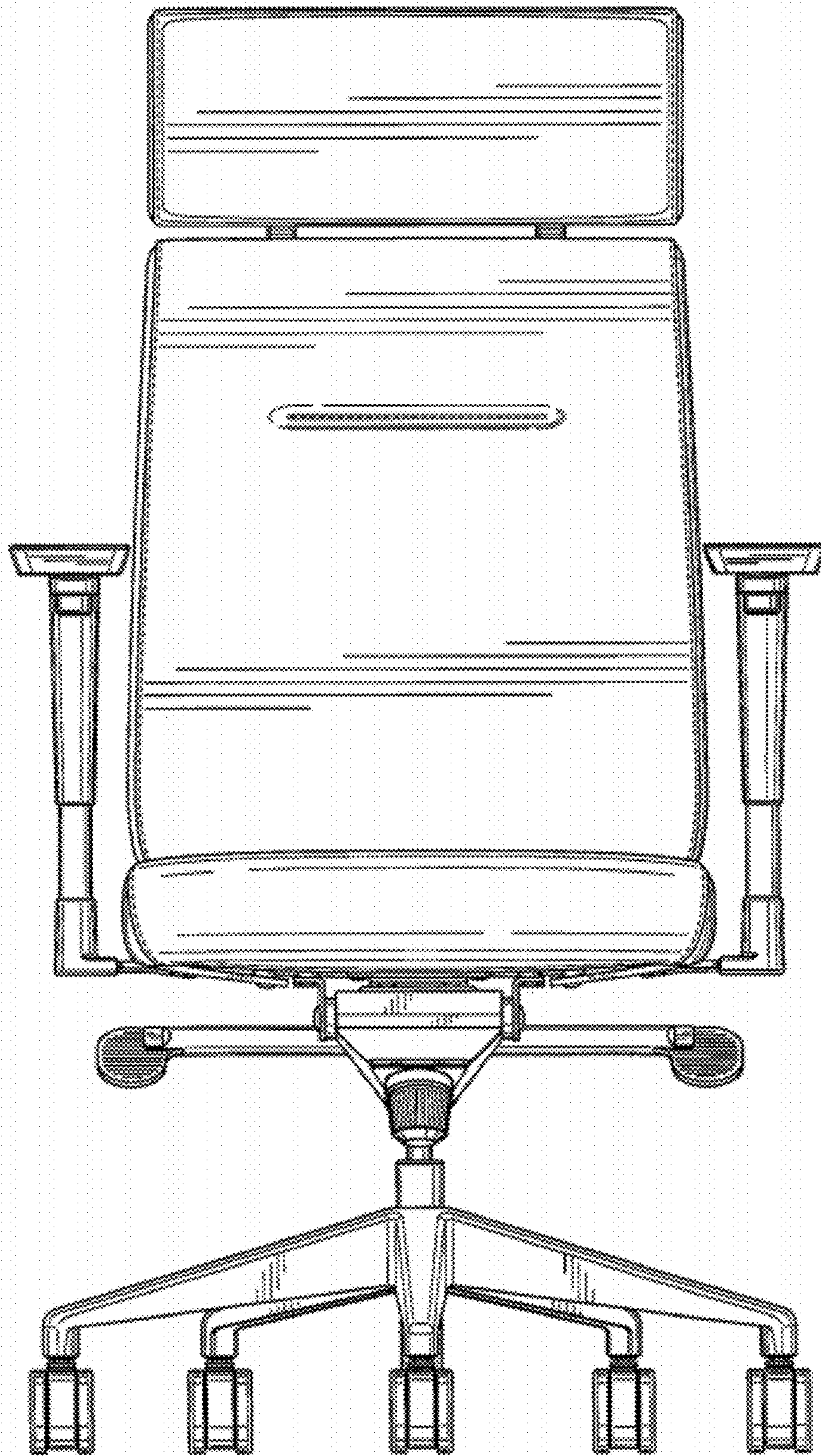


FIG. 4

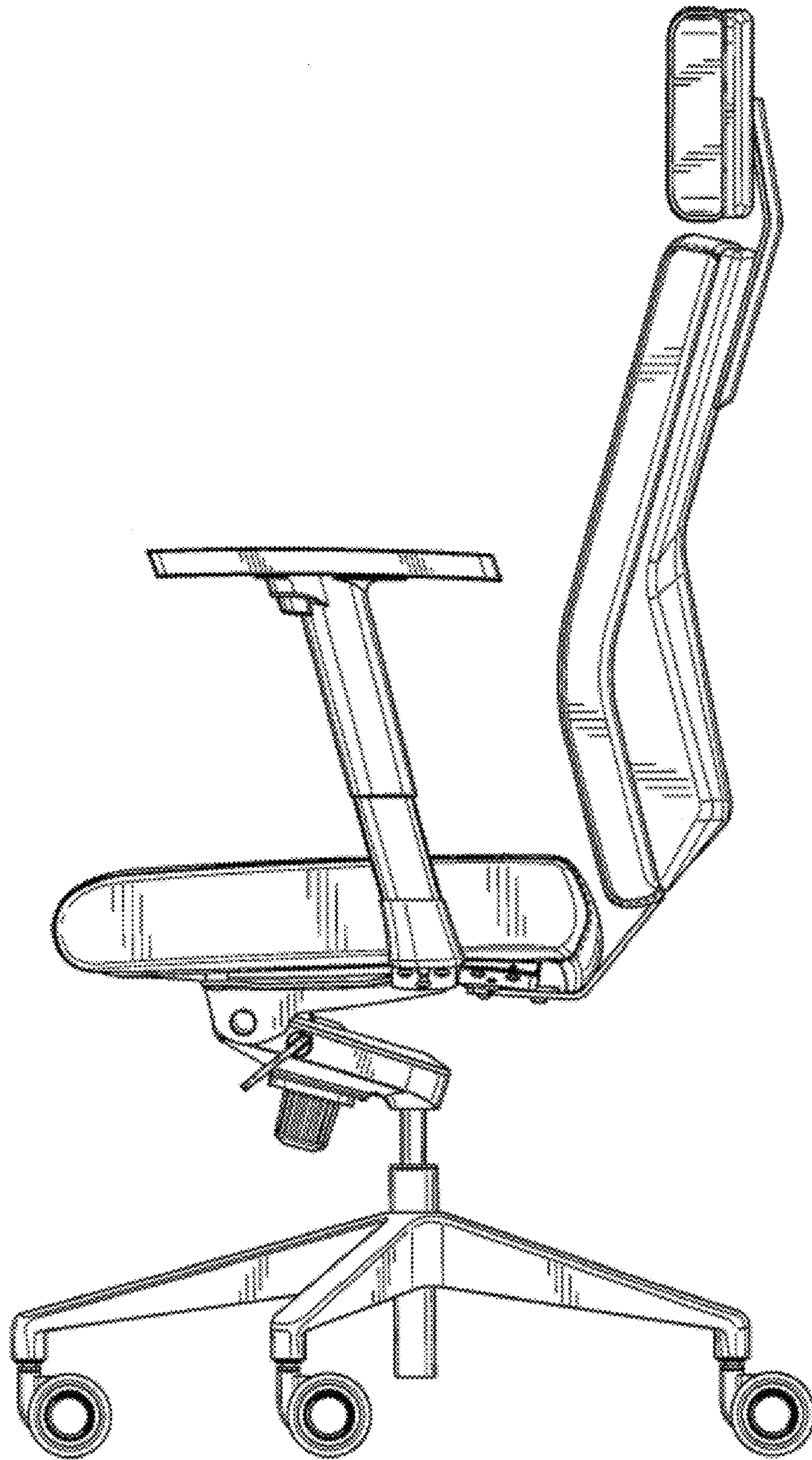


FIG. 5

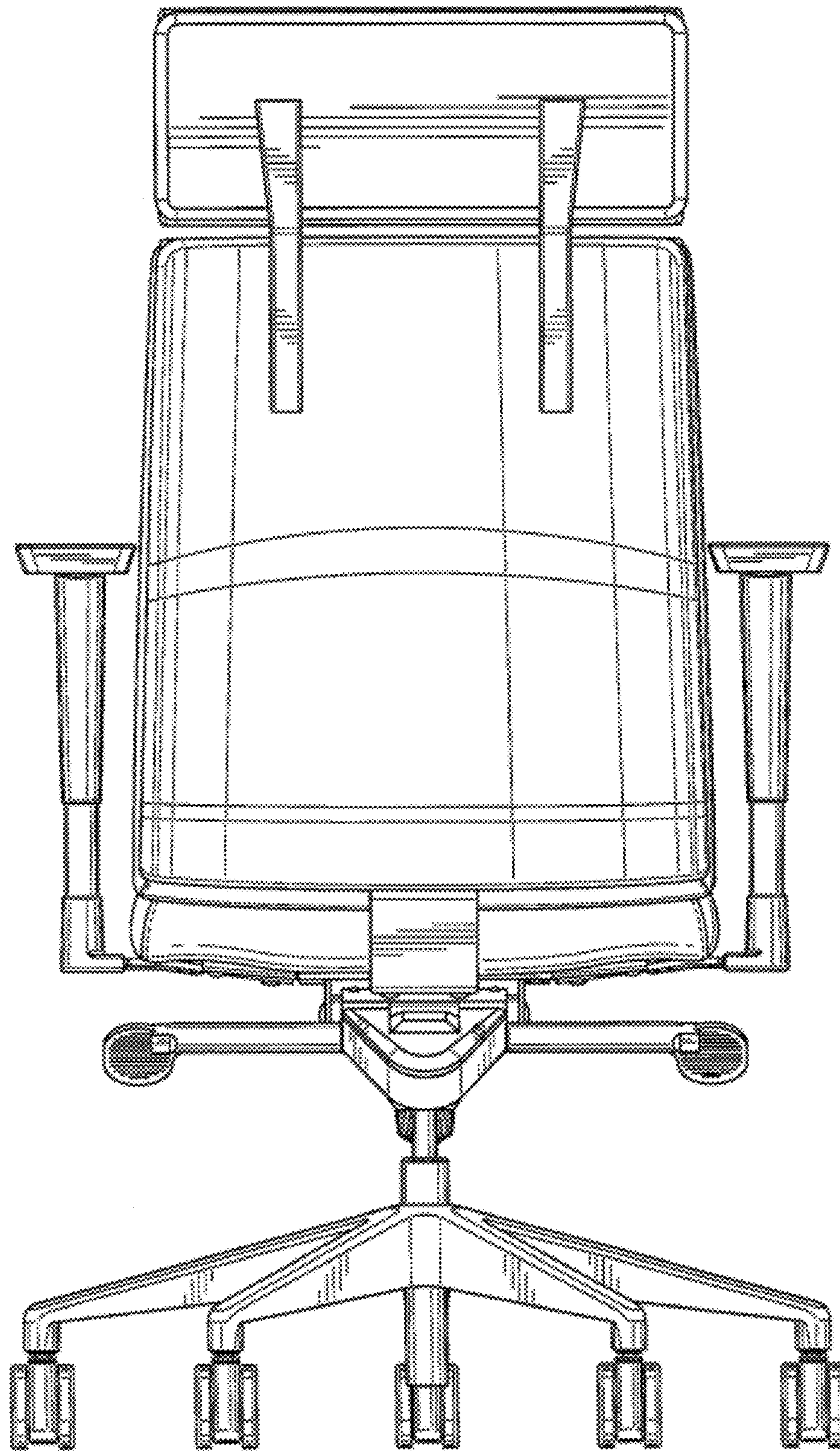


FIG. 6

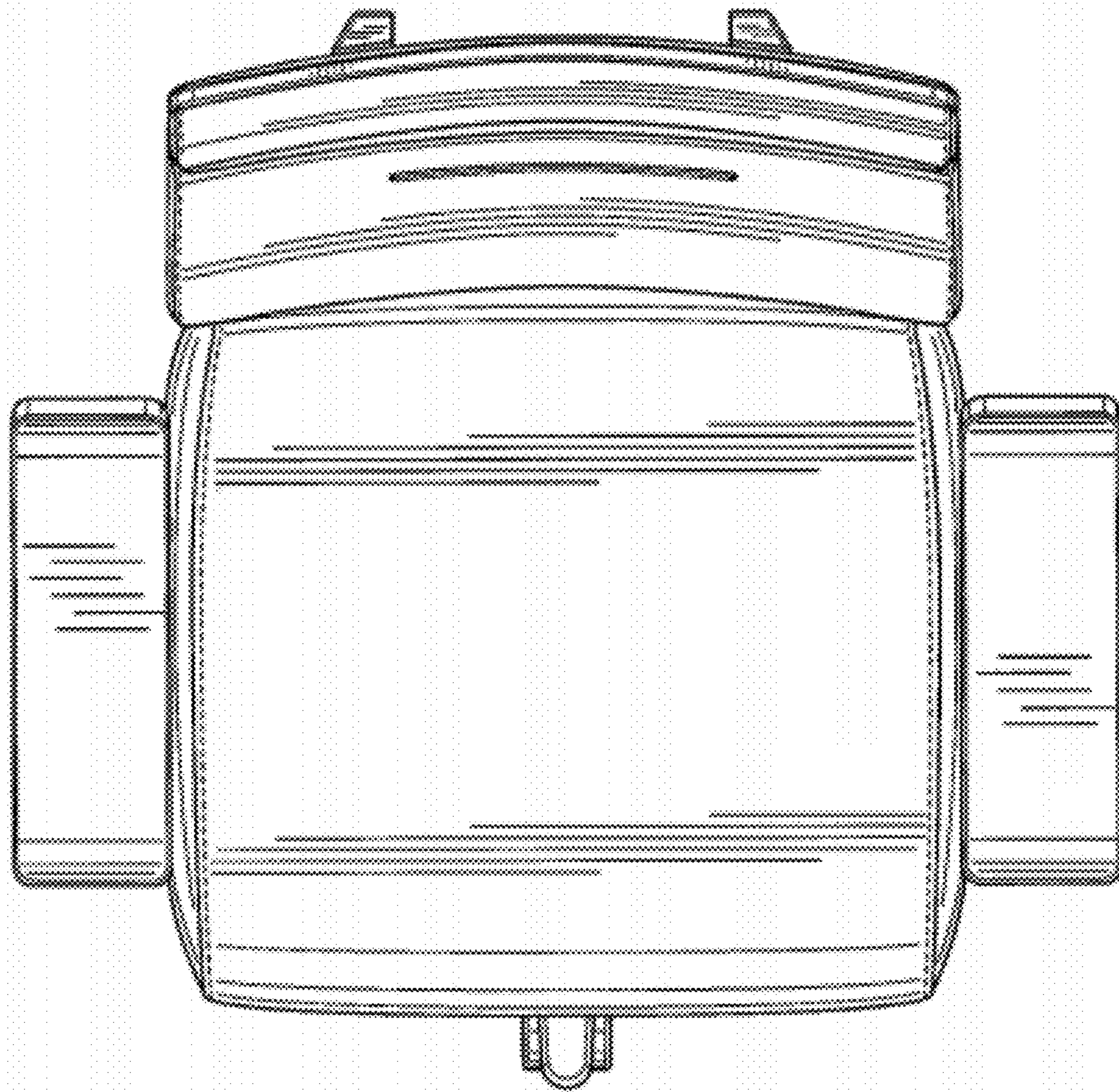


FIG. 7

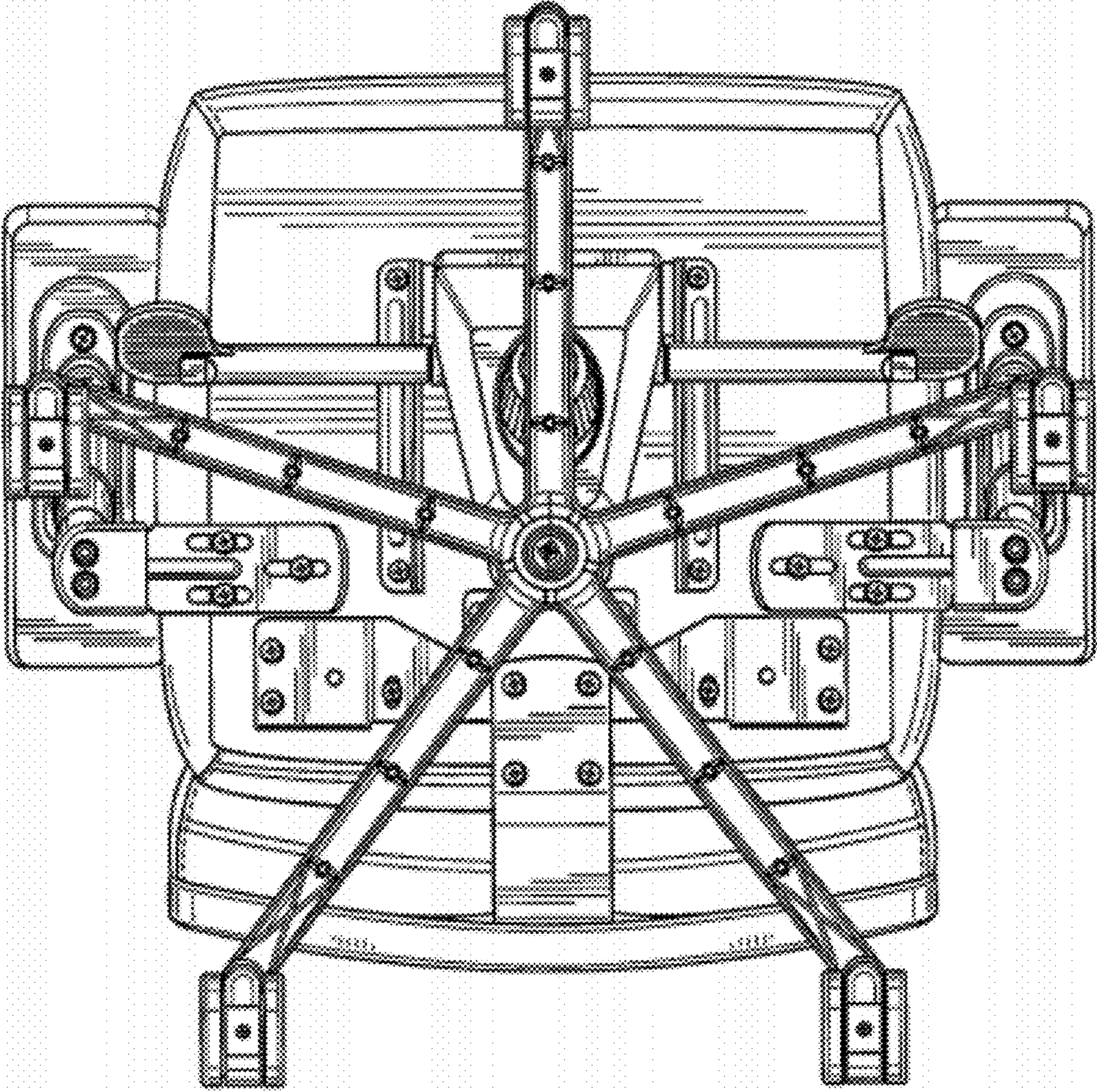


FIG. 8