



US00D656329S

(12) **United States Design Patent**  
**Nakamura et al.**

(10) **Patent No.:** **US D656,329 S**  
(45) **Date of Patent:** **\*\* Mar. 27, 2012**

(54) **CHAIR**

(75) Inventors: **Yasuhiro Nakamura**, Tokyo (JP);  
**Takayuki Kumazawa**, Tokyo (JP)

(73) Assignee: **ITOKI Corporation**, Osaka-shi, Osaka  
(JP)

(\*\*) Term: **14 Years**

(21) Appl. No.: **29/347,383**

(22) Filed: **Dec. 22, 2009**

(30) **Foreign Application Priority Data**

Aug. 19, 2009 (JP) ..... 2009-018948

(51) **LOC (9) Cl.** ..... **06-01**

(52) **U.S. Cl.** ..... **D6/366**

(58) **Field of Classification Search** ..... D6/334–336,  
D6/360–369, 374, 379–380, 498, 500–502;  
297/284.4, 411.27, 452.13, 452.19, 452.21,  
297/452.29, 452.3, 452.56, 452.64

See application file for complete search history.

(56) **References Cited**

**U.S. PATENT DOCUMENTS**

D296,624 S *	7/1988	Bellini .....	D6/366
D312,536 S *	12/1990	Muller-Deisig et al. ....	D6/366
D346,909 S *	5/1994	Obata et al. ....	D6/366
D383,323 S *	9/1997	Dammermann et al. ....	D6/366
D410,342 S *	6/1999	Dammermann et al. ....	D6/366
D411,692 S *	6/1999	Ogg .....	D6/366
D418,316 S *	1/2000	Vogtherr .....	D6/366
D436,260 S *	1/2001	Nagamitsu .....	D6/366
D436,456 S *	1/2001	Neil .....	D6/366
D444,309 S *	7/2001	Nagamitsu .....	D6/366
D459,903 S *	7/2002	Lo .....	D6/366
D468,122 S *	1/2003	Schweikarh et al. ....	D6/366
D476,821 S *	7/2003	Koepke et al. ....	D6/366
D481,879 S *	11/2003	Su .....	D6/366
D486,656 S *	2/2004	Su .....	D6/366
D489,542 S *	5/2004	Giugiaro .....	D6/366

D490,621 S *	6/2004	Newhouse .....	D6/366
D497,265 S *	10/2004	Tai .....	D6/366
D499,564 S *	12/2004	Meda .....	D6/366
D507,124 S *	7/2005	Yang .....	D6/366
D512,232 S *	12/2005	Wu .....	D6/366
D514,339 S *	2/2006	Glass et al. ....	D6/366
D517,820 S *	3/2006	Citterio .....	D6/366
D535,112 S *	1/2007	Bernett et al. ....	D6/366
D541,062 S *	4/2007	Su .....	D6/366
D543,717 S *	6/2007	Chen .....	D6/366
D545,076 S *	6/2007	Dallmann et al. ....	D6/366
D546,086 S *	7/2007	Chen et al. ....	D6/366
D548,994 S *	8/2007	Mao .....	D6/366
D549,473 S *	8/2007	Wagner .....	D6/366
D549,977 S *	9/2007	Koepke et al. ....	D6/366

(Continued)

**FOREIGN PATENT DOCUMENTS**

JP D1254679 9/2005

(Continued)

*Primary Examiner* — Elizabeth Albert

*Assistant Examiner* — Kelley Donnelly

(74) *Attorney, Agent, or Firm* — McGinn IP Law Group,  
PLLC

(57) **CLAIM**

The ornamental design for a chair, as shown and described.

**DESCRIPTION**

FIG. 1 is a perspective view of top, front and right side of a chair showing our new design;

FIG. 2 is a perspective view of top, rear and left side thereof;

FIG. 3 is a front view thereof;

FIG. 4 is a rear view thereof;

FIG. 5 is a top plan view thereof;

FIG. 6 is a left view thereof; and,

FIG. 7 is a right side view thereof.

The broken lines in FIGS. 3, 4, 6, and 7 are for the purpose of illustrating the environment of the design only and form no part of the claimed design.

**1 Claim, 7 Drawing Sheets**



# US D656,329 S

Page 2

## U.S. PATENT DOCUMENTS

D552,857 S \* 10/2007 Wang ..... D6/366  
D555,377 S \* 11/2007 Pensi et al. .... D6/366  
D557,024 S \* 12/2007 Chen ..... D6/366  
D557,025 S \* 12/2007 Chen ..... D6/366  
D557,914 S \* 12/2007 Ong ..... D6/366  
D557,917 S \* 12/2007 Nakamura et al. .... D6/366  
D557,918 S \* 12/2007 Nakamura et al. .... D6/366  
D563,687 S \* 3/2008 Neil ..... D6/366  
D568,624 S \* 5/2008 Wen ..... D6/366  
D571,569 S \* 6/2008 Fancelli ..... D6/366  
D572,493 S \* 7/2008 Zhang ..... D6/366  
D573,361 S \* 7/2008 Kung ..... D6/366  
D576,416 S \* 9/2008 Su ..... D6/366  
D576,813 S \* 9/2008 Baldanzi et al. .... D6/366  
D576,814 S \* 9/2008 Baldanzi et al. .... D6/366  
D585,205 S \* 1/2009 Wen ..... D6/366  
D595,970 S \* 7/2009 Ueda ..... D6/366  
D595,971 S \* 7/2009 Ueda ..... D6/366

D596,418 S \* 7/2009 Ueda ..... D6/366  
D600,462 S \* 9/2009 Ooki et al. .... D6/366  
D604,527 S \* 11/2009 Ooki et al. .... D6/366  
D607,653 S \* 1/2010 Wilkinson et al. .... D6/366  
D608,557 S \* 1/2010 Maeyama ..... D6/366  
D610,822 S \* 3/2010 Chen ..... D6/366  
D613,085 S \* 4/2010 Fujita ..... D6/366  
D613,087 S \* 4/2010 Fujita ..... D6/366  
7,794,017 B2 \* 9/2010 Kan et al. .... 297/340  
D627,983 S \* 11/2010 Wakasugi et al. .... D6/366  
7,896,439 B2 \* 3/2011 Kan et al. .... 297/286  
D636,614 S \* 4/2011 Sander et al. .... D6/366  
D637,829 S \* 5/2011 Citterio ..... D6/366

## FOREIGN PATENT DOCUMENTS

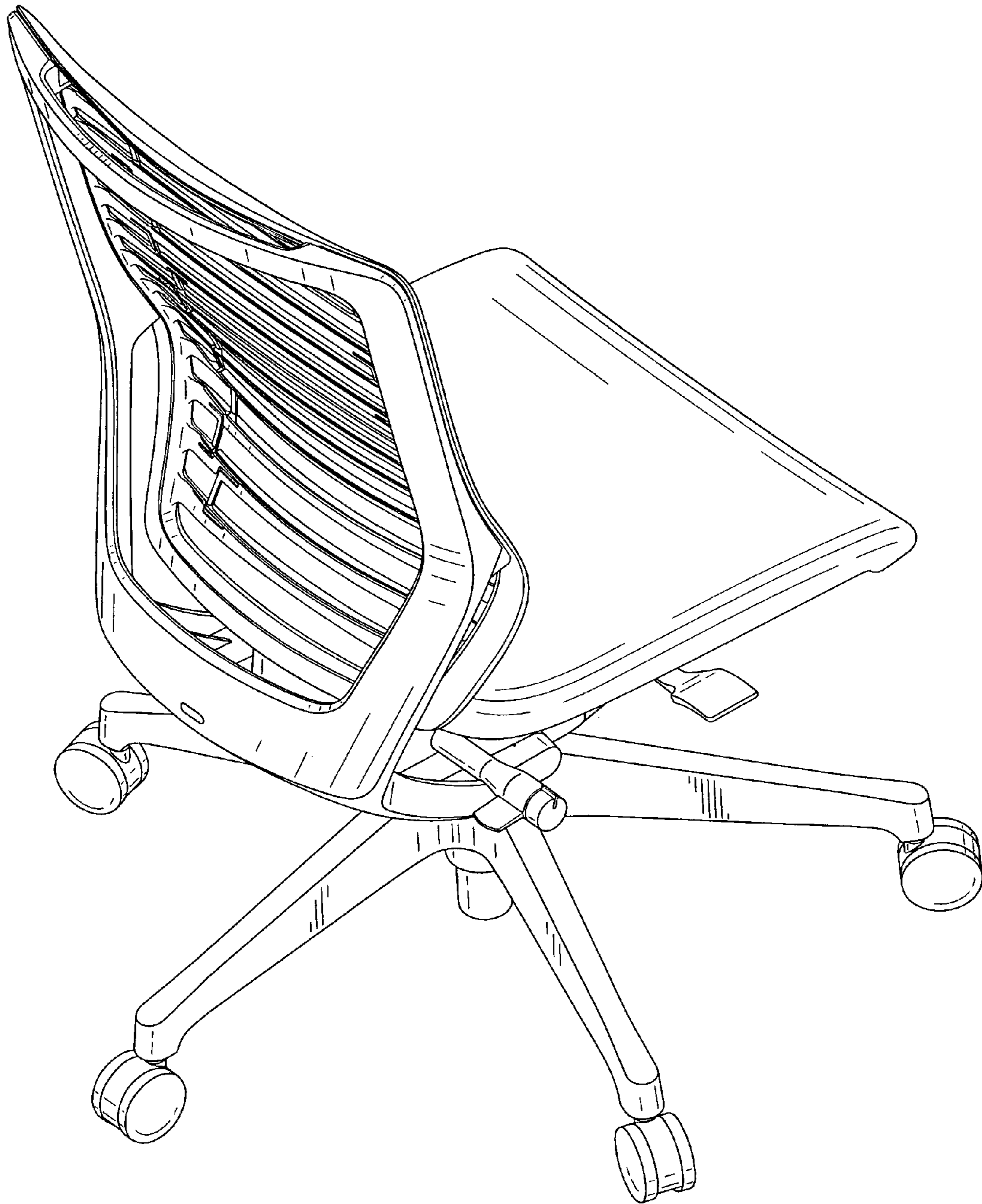
JP D1299115 3/2007  
JP D1306998 6/2007

\* cited by examiner

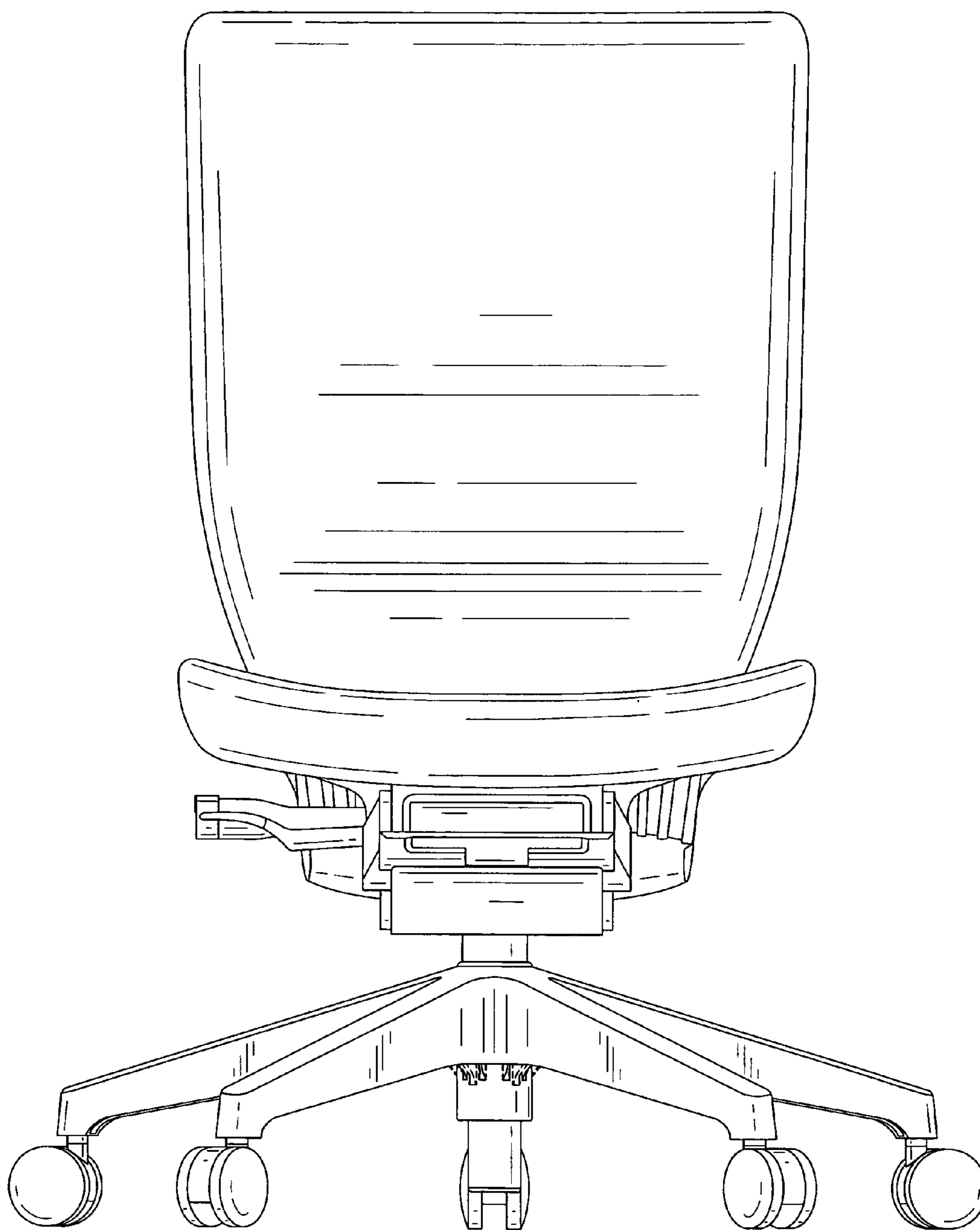


**FIG. 1**

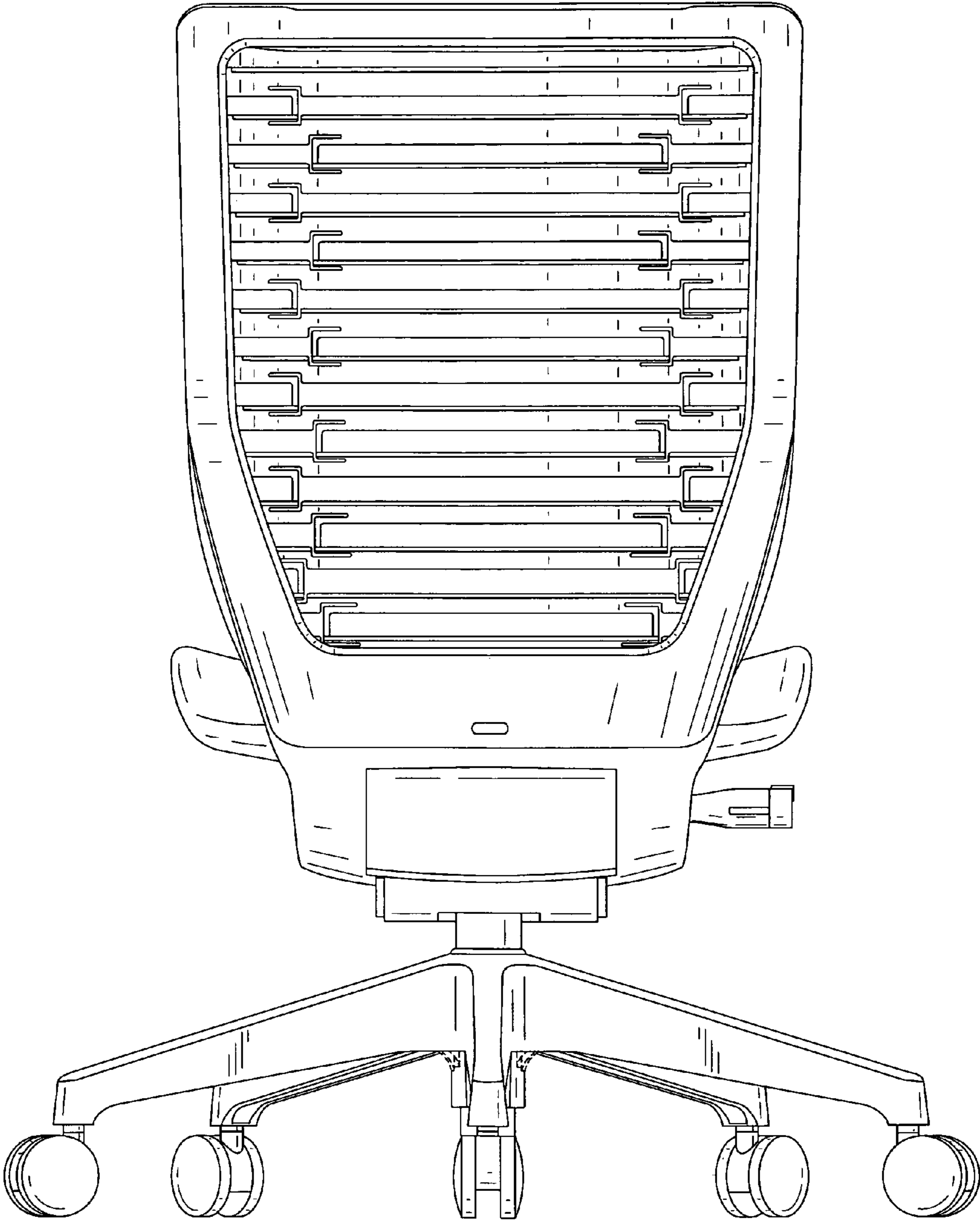




**FIG. 2**



**FIG. 3**



**FIG. 4**

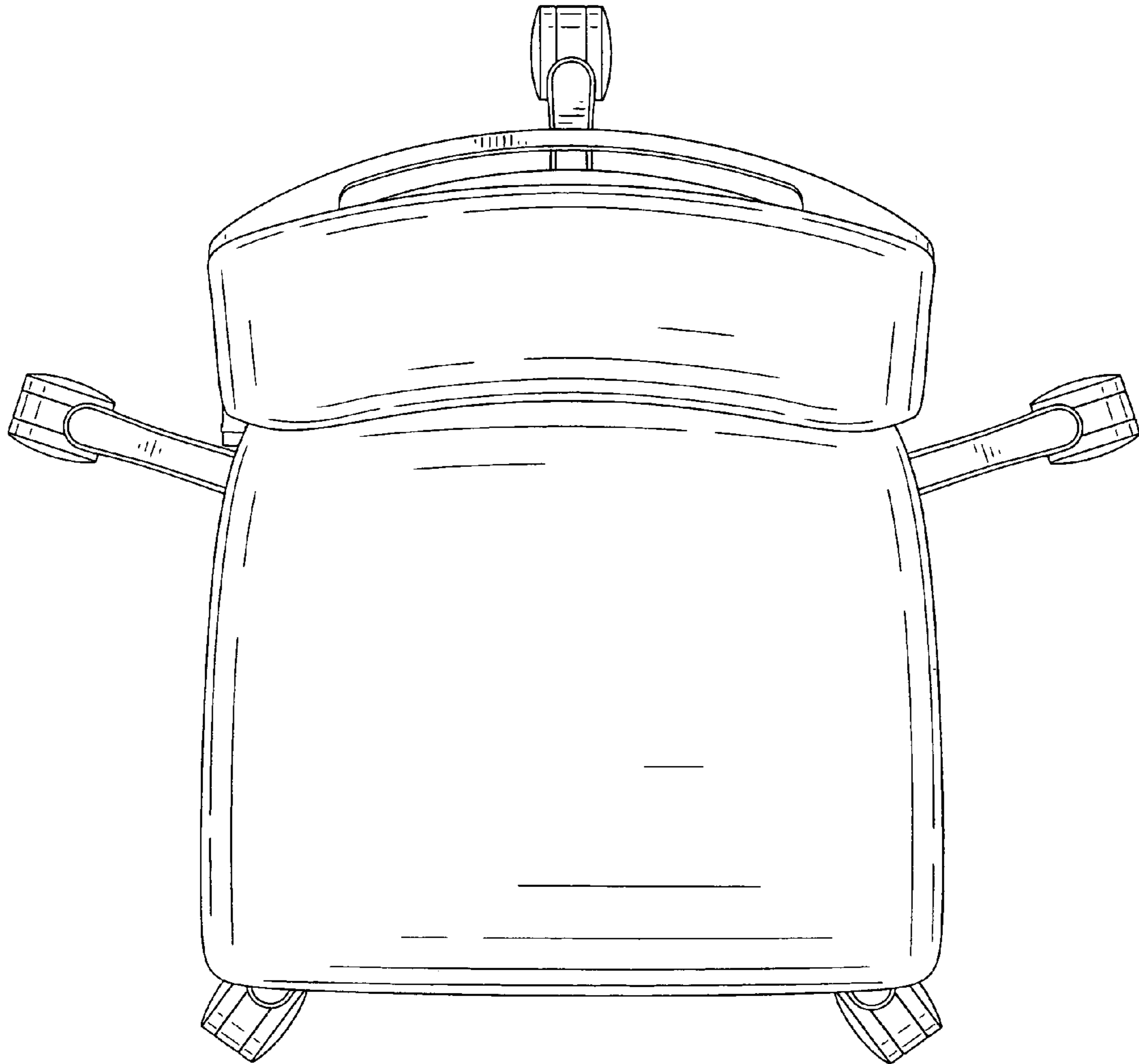
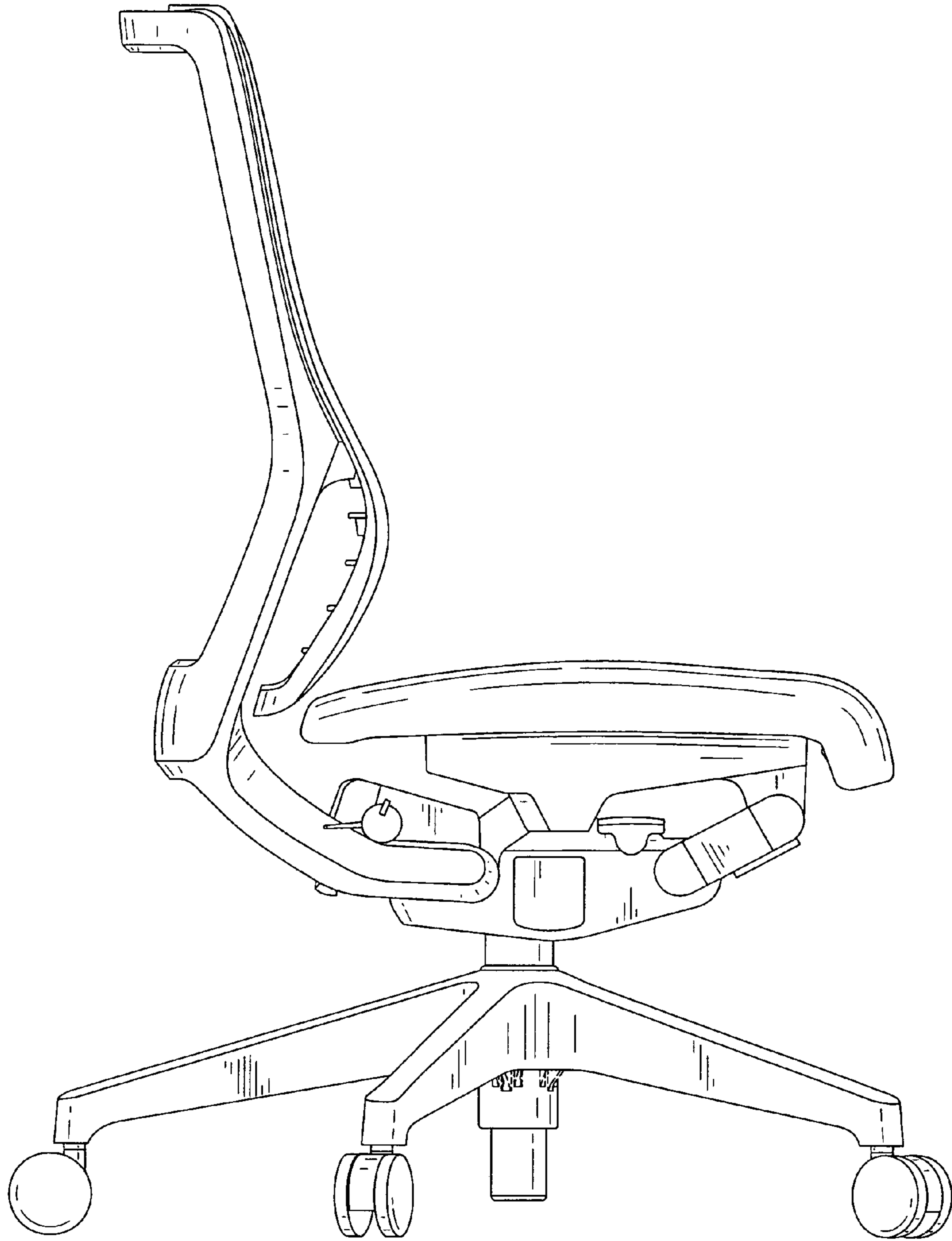
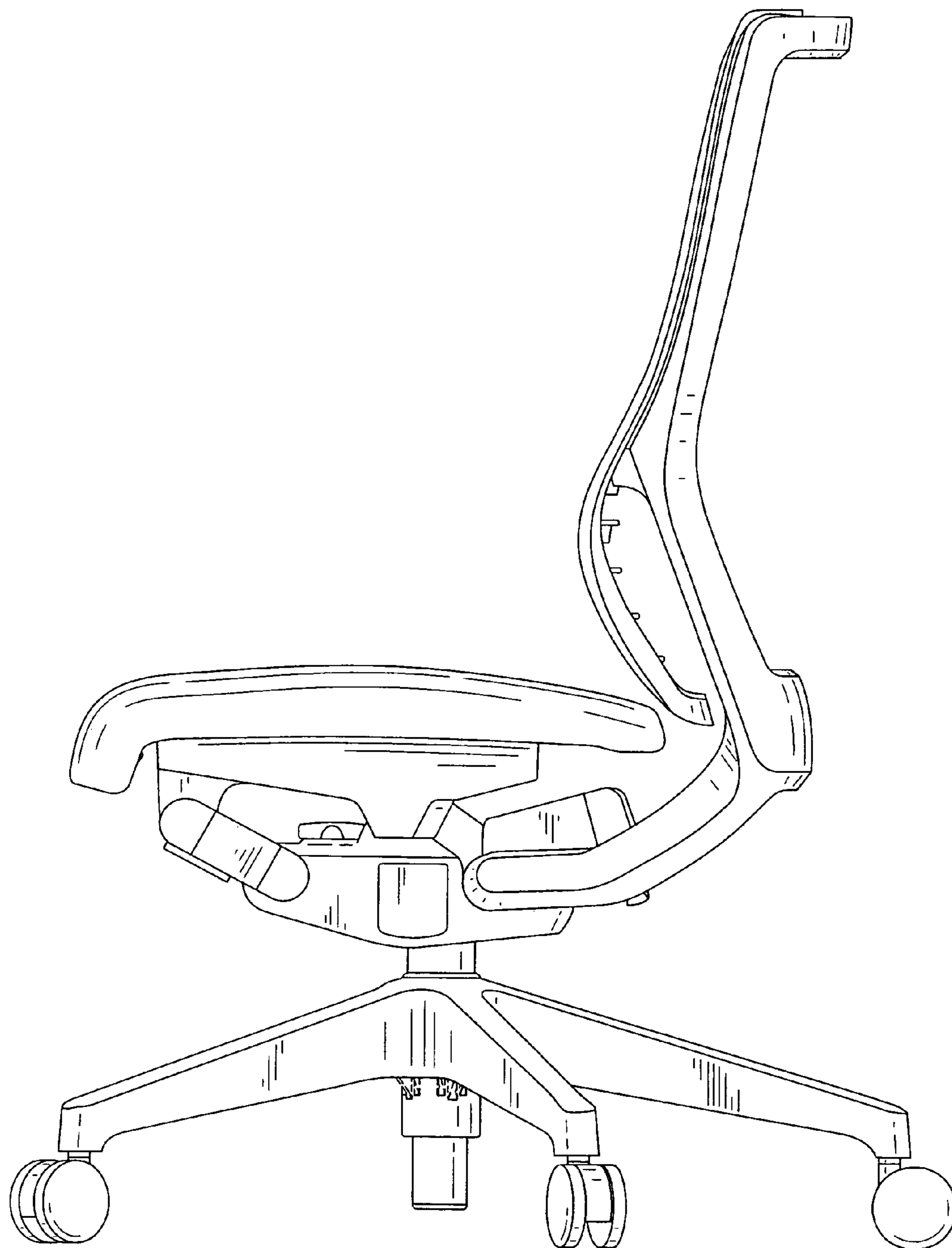


FIG. 5



**FIG. 6**





**FIG. 7**