



US00D656326S

(12) **United States Design Patent**
Soewondo

(10) **Patent No.:** **US D656,326 S**
(45) **Date of Patent:** **** Mar. 27, 2012**

- (54) **ROCKASAN**
- (75) Inventor: **Patricia Pamela Soewondo**, Jakarta Selatan (ID)
- (73) Assignee: **Pier 1 Services Company**, Fort Worth, TX (US)
- (**) Term: **14 Years**
- (21) Appl. No.: **29/361,791**
- (22) Filed: **May 14, 2010**
- (51) **LOC (9) Cl.** **06-01**
- (52) **U.S. Cl.** **D6/348**
- (58) **Field of Classification Search** D6/334–336, D6/344, 348, 364, 370, 371–373, 374, 375, D6/376, 500–502; D21/412; 297/271.5, 297/271.6, 272.1, 258.1, 440.11, 448.2, 451.4, 297/452.12, 452.18, 452.63, 452.64
See application file for complete search history.

| | | | | |
|----------------|---------|------------------|-------|------------|
| 3,511,503 A * | 5/1970 | Volpe | | 297/452.12 |
| 3,526,429 A | 9/1970 | Metzger | | 297/258 |
| 3,656,808 A * | 4/1972 | Chang | | 297/451.4 |
| 3,899,210 A | 8/1975 | Samhammer et al. | | 297/445 |
| D245,132 S | 7/1977 | Gale, Jr. | | D6/38 |
| 4,141,588 A | 2/1979 | Anderson | | 297/258 |
| D265,950 S | 8/1982 | Martin | | D6/10 |
| 5,338,097 A * | 8/1994 | Tan | | 297/451.11 |
| 5,695,253 A | 12/1997 | Jenkins | | 297/452.64 |
| 5,887,944 A | 3/1999 | Boost | | 297/258.1 |
| D503,289 S * | 3/2005 | Eyman et al. | | D6/344 |
| D594,239 S | 6/2009 | Lake et al. | | D6/348 |
| 7,938,489 B2 * | 5/2011 | Nazari | | 297/258.1 |

* cited by examiner

Primary Examiner — Mimosa De
(74) *Attorney, Agent, or Firm* — Baker Botts L.L.P.

(57) **CLAIM**
The ornamental design for a Rockasan, as shown and described.

DESCRIPTION

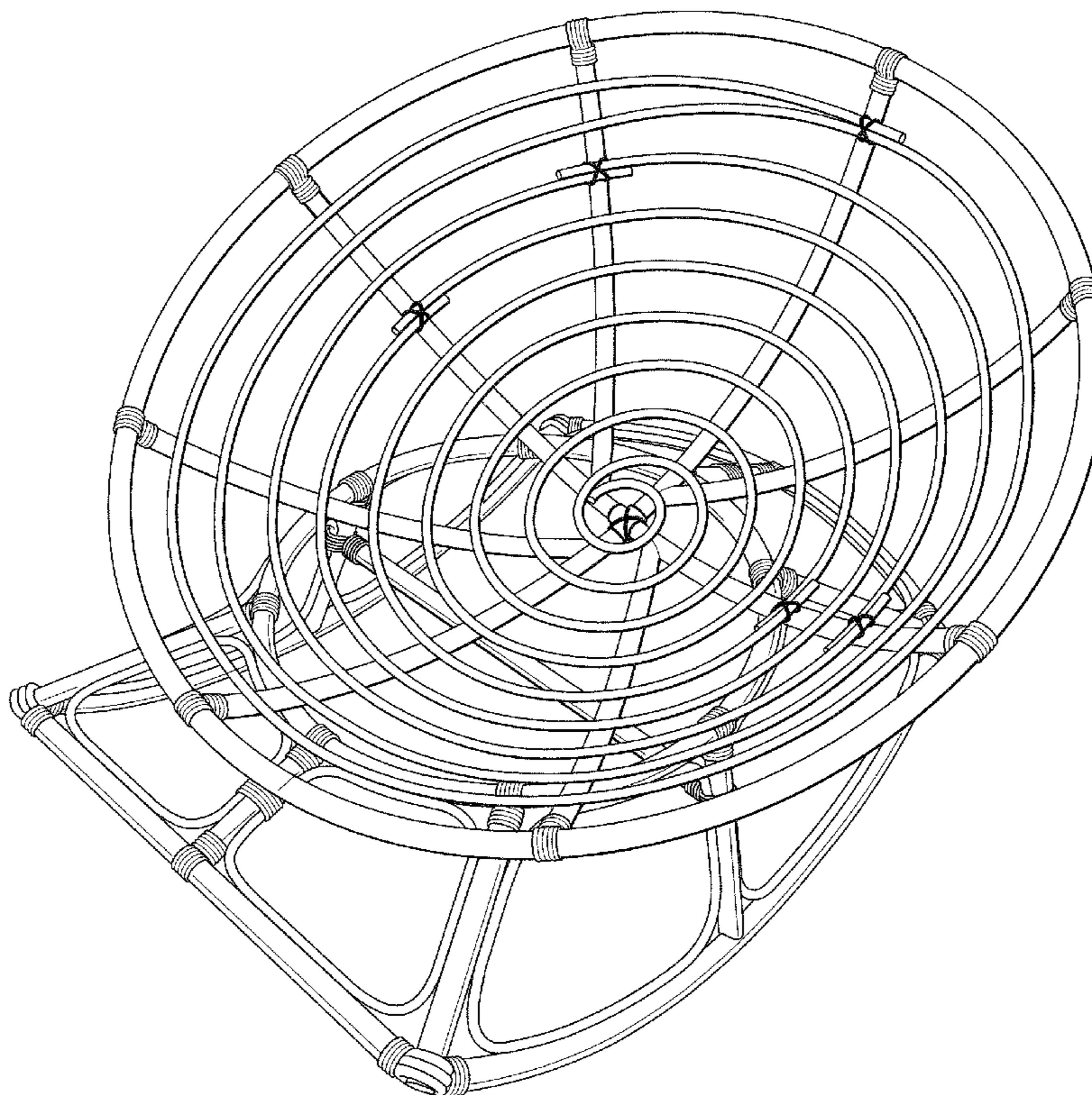
FIG. 1 shows an isometric view of a Rockasan;
FIG. 2 shows the left side view of the Rockasan shown in FIG. 1;
FIG. 3 shows the front view of the Rockasan shown in FIG. 1;
FIG. 4 shows the rear view of the Rockasan shown in FIG. 1;
FIG. 5 shows the top view of the Rockasan shown in FIG. 1; and,
FIG. 6 shows the bottom view side of the Rockasan shown in FIG. 1.

1 Claim, 6 Drawing Sheets

(56) **References Cited**

U.S. PATENT DOCUMENTS

| | | | | |
|---------------|---------|-----------------|-------|------------|
| 2,723,712 A * | 11/1955 | Yellen | | 297/440.11 |
| 2,785,733 A | 3/1957 | Witty | | 155/116 |
| 2,793,375 A | 5/1957 | Wardell, Jr. | | 5/105 |
| 2,930,430 A * | 3/1960 | Bloom | | 297/271.6 |
| 2,939,430 A | 3/1960 | Blom | | 155/77 |
| D200,533 S * | 3/1965 | Hopkins | | D6/364 |
| 3,180,685 A * | 4/1965 | Rogalski et al. | | 297/448.2 |



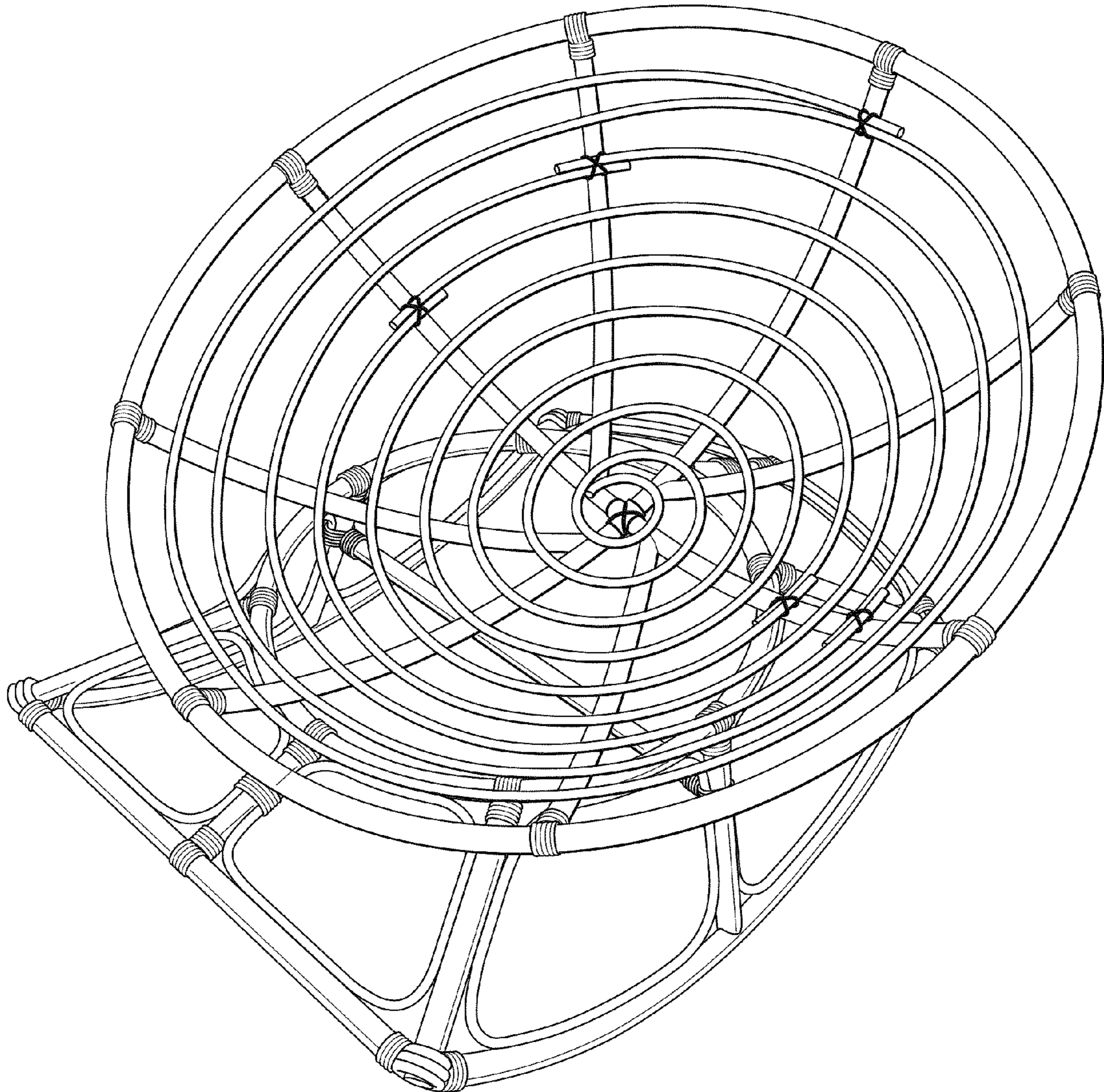


FIG. 1

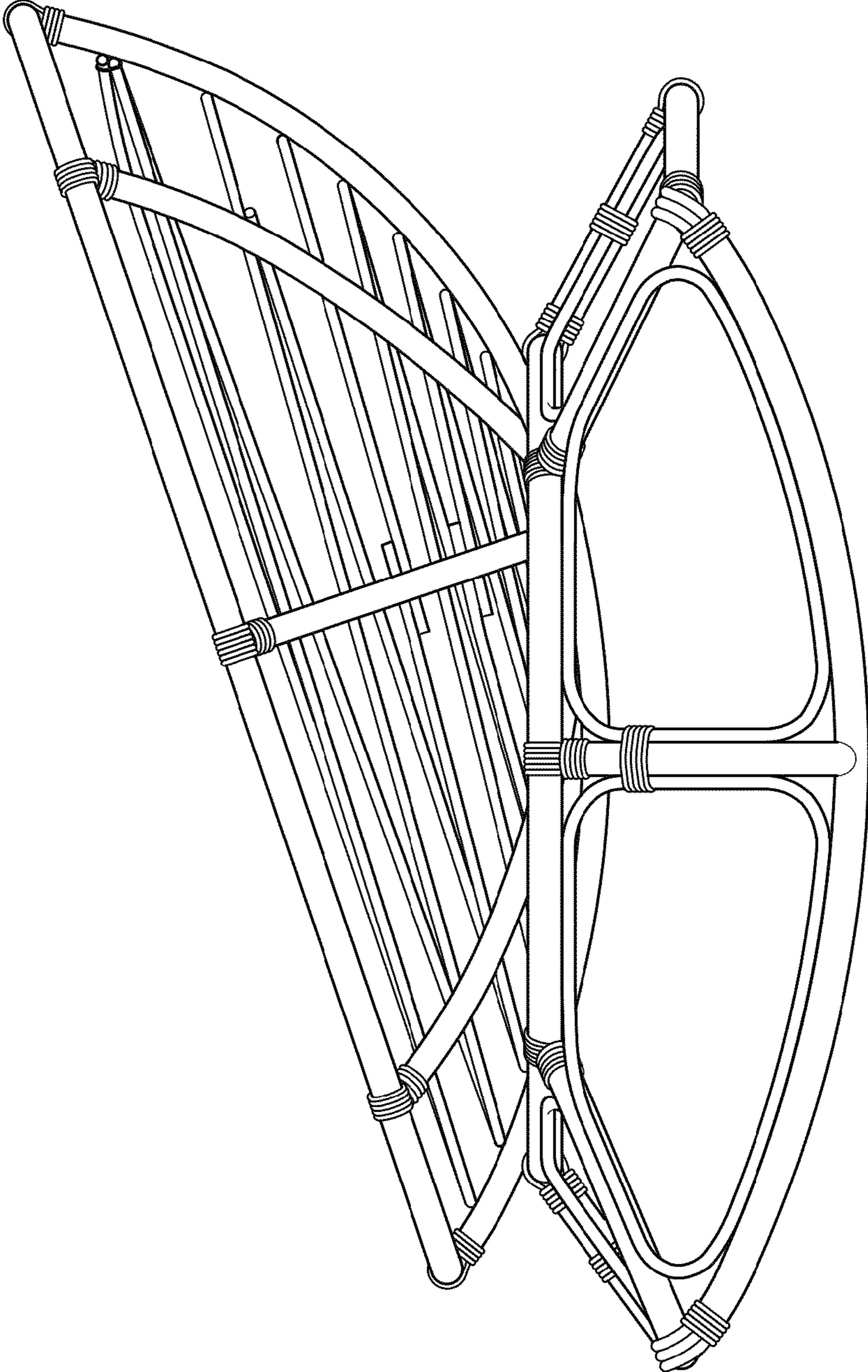


FIG. 2

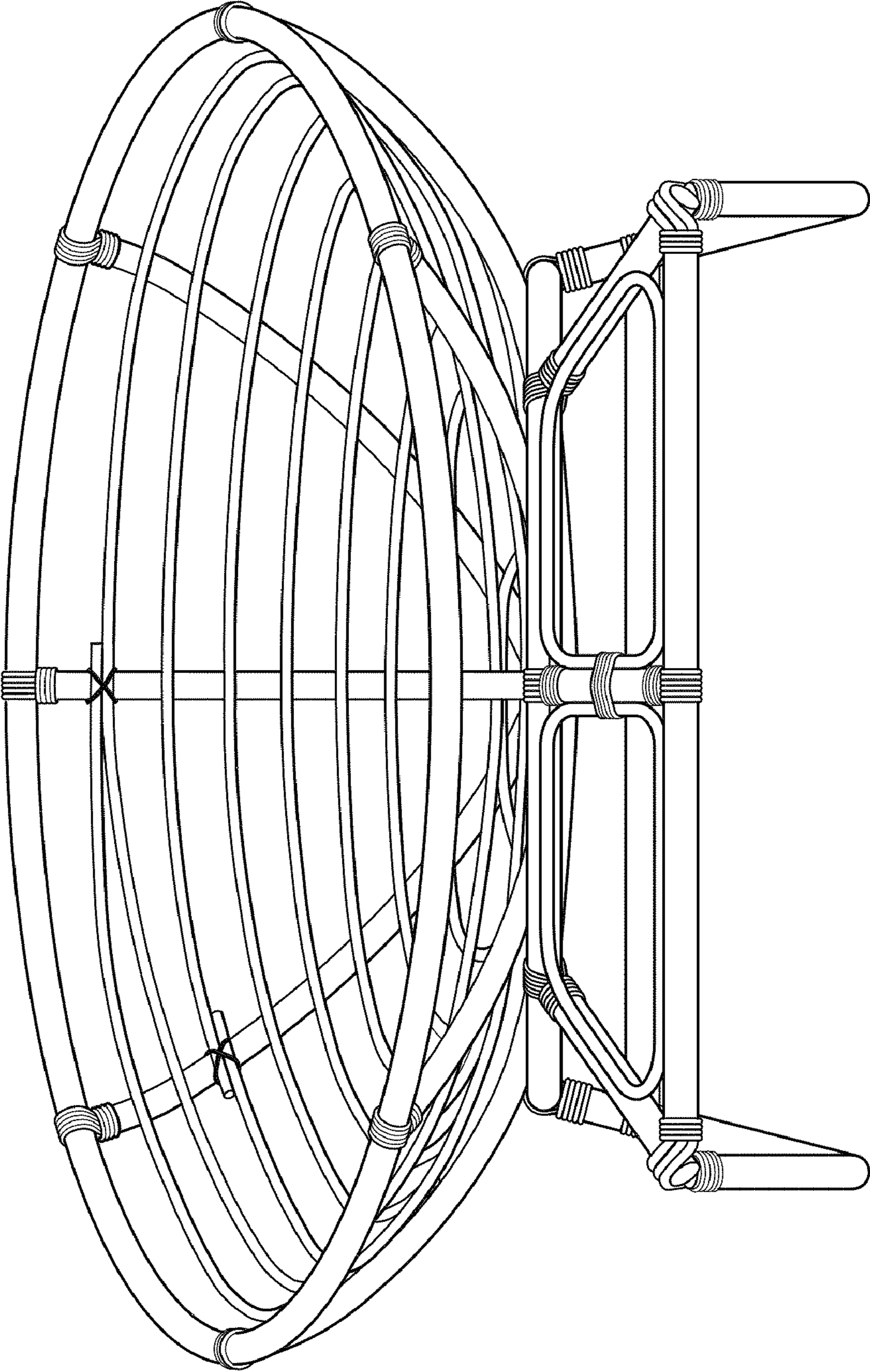


FIG. 3

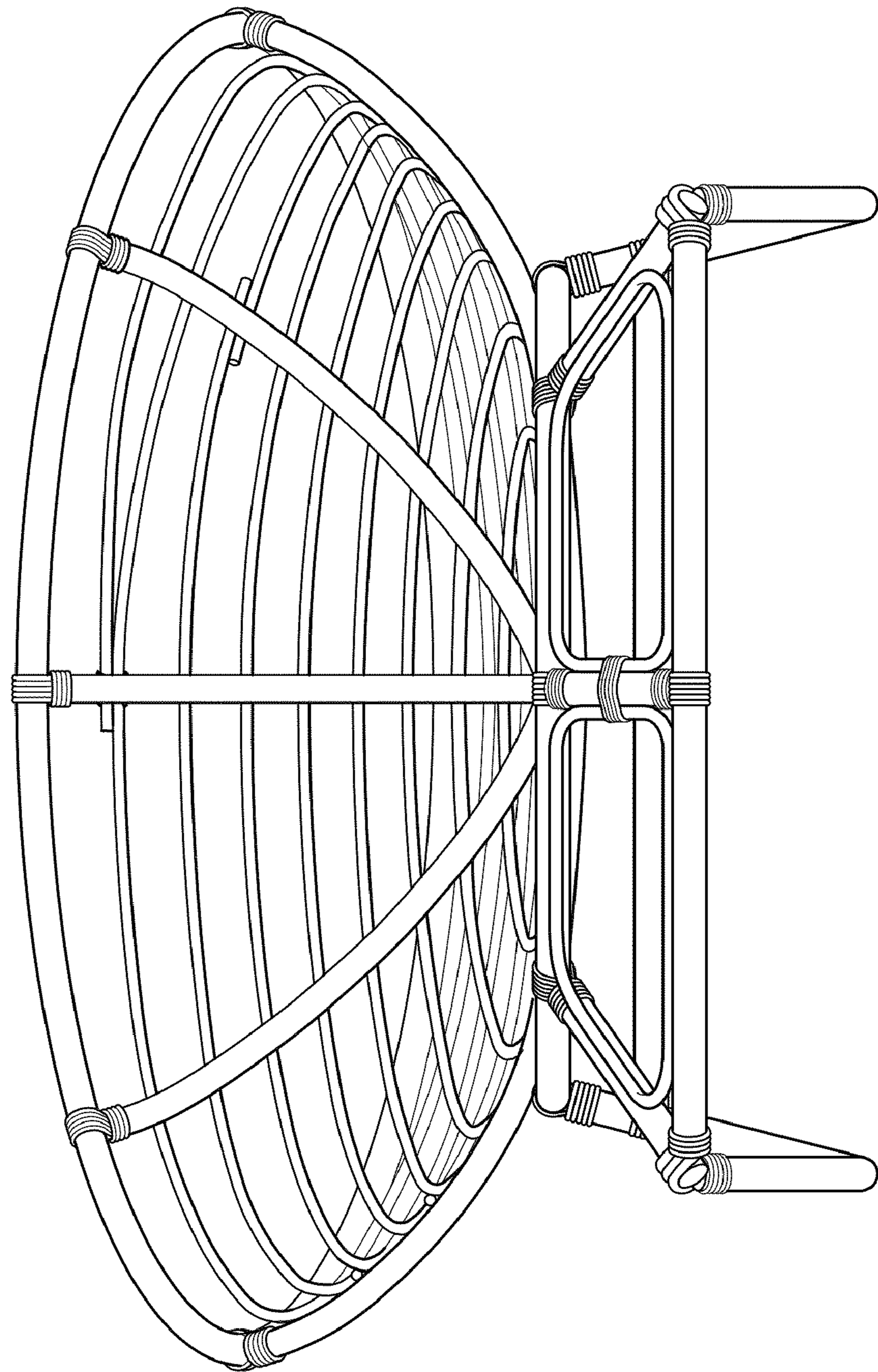


FIG. 4

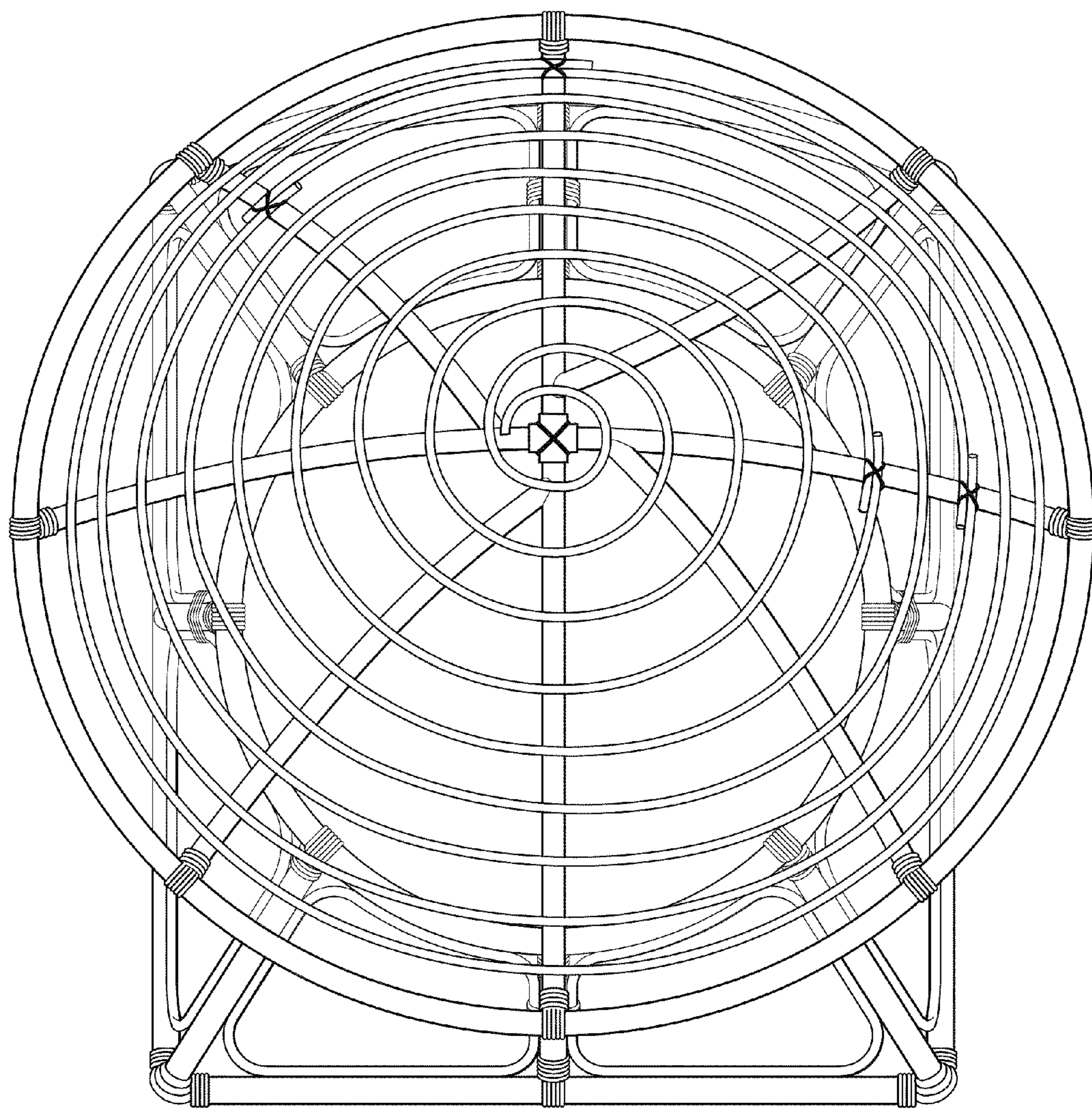


FIG. 5

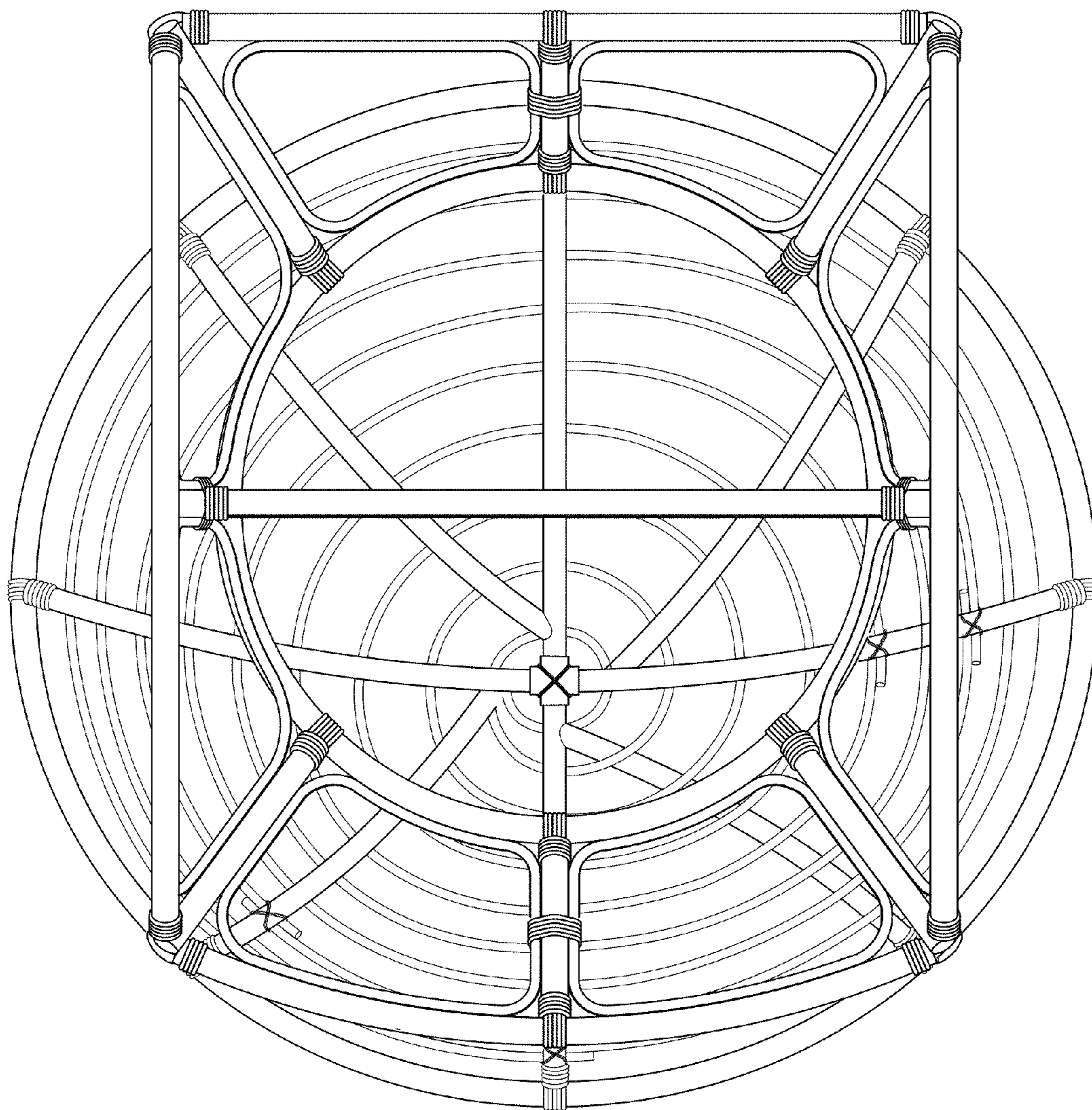


FIG. 6