



US00D656319S

(12) **United States Design Patent**
Kye et al.

(10) **Patent No.:** **US D656,319 S**
(45) **Date of Patent:** **** Mar. 27, 2012**

(54) **LINT ROLLER**

(75) Inventors: **Lee Cheuk Kye**, Ningbo (CN); **Li Ying Feng**, Ningbo (CN)

(73) Assignee: **Papermates, Inc.**, Chatsworth, CA (US)

(**) Term: **14 Years**

(21) Appl. No.: **29/373,778**

(22) Filed: **May 19, 2011**

(51) **LOC (9) Cl.** **04-01**

(52) **U.S. Cl.** **D4/122**

(58) **Field of Classification Search** D4/122,
D4/128, 138; 15/27, 104.002, 143.1, 230.11;
16/110.1, 430; 492/13, 14, 17, 19
See application file for complete search history.

(56) **References Cited**

U.S. PATENT DOCUMENTS

D276,763 S	*	12/1984	McKay	D4/122
D467,736 S	*	12/2002	Russell	D4/122
D468,540 S	*	1/2003	Jessen	D4/122
D483,570 S	*	12/2003	Heidel et al.	D4/122
D531,814 S	*	11/2006	Treacy	D4/138
D531,815 S	*	11/2006	Treacy	D4/138
D552,356 S	*	10/2007	Newbould et al.	D4/122

D573,798 S	*	7/2008	Catalfamo et al.	D4/122
D575,065 S	*	8/2008	Benson et al.	D4/122
D629,616 S	*	12/2010	Vasilakes	D4/122

* cited by examiner

Primary Examiner — Austin Murphy

(74) *Attorney, Agent, or Firm* — Lewis Anten; Lewis Anten, P.C.

(57) **CLAIM**

The ornamental design for a lint roller.

DESCRIPTION

FIG. 1 is a perspective view of the lint roller showing our new design.

FIG. 2 is a top view of the lint roller.

FIG. 3 is a bottom view of the lint roller.

FIG. 4 is a right side view of the lint roller.

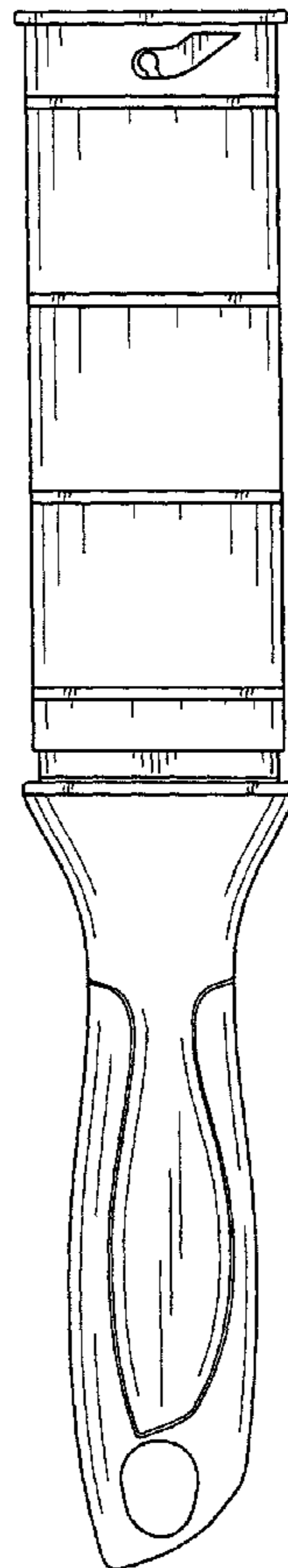
FIG. 5 is a left side view of the lint roller.

FIG. 6 is a right end view of the lint roller; and,

FIG. 7 is a left end view of the lint roller.

FIG. 8 is a perspective view of the lint roller showing the article in a position of use with an adhesive roller shown attached. The adhesive roller has been shown in broken lines and is not part of the claimed design.

1 Claim, 7 Drawing Sheets



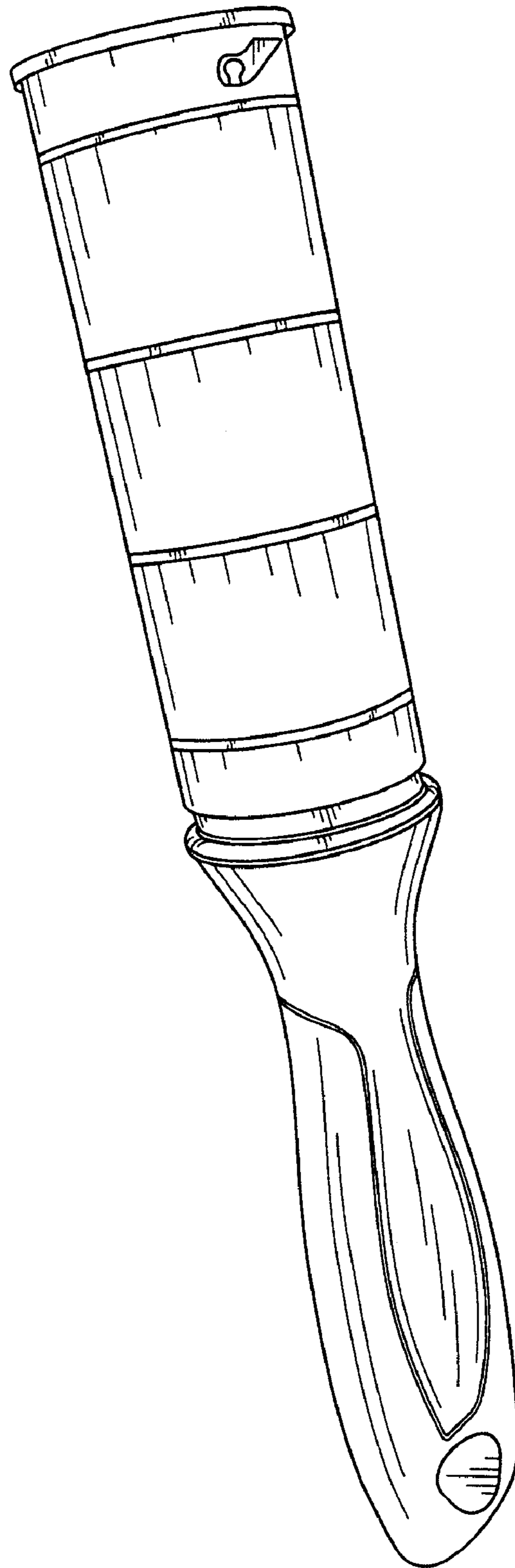


FIG. 1

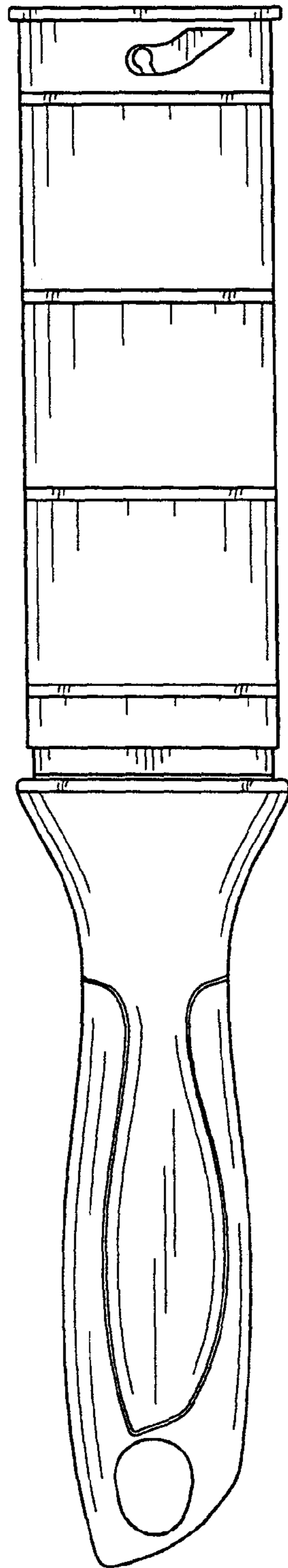


FIG. 2

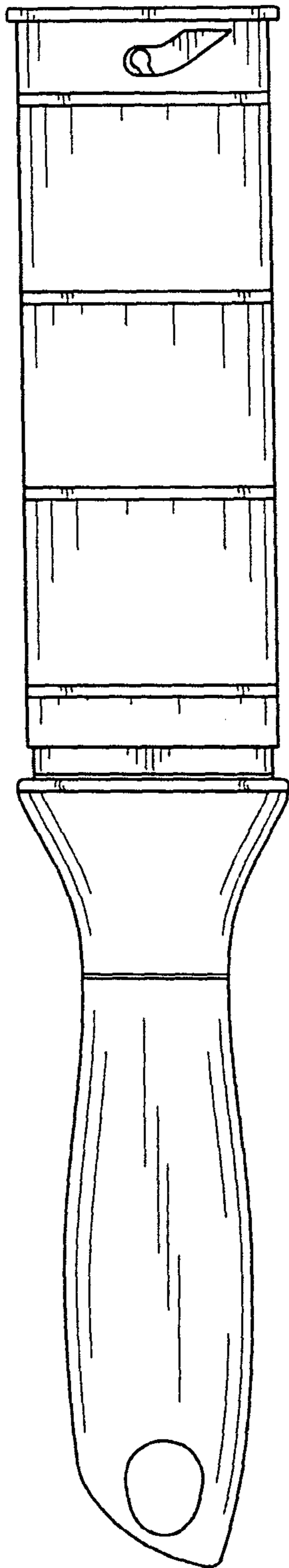


FIG. 3

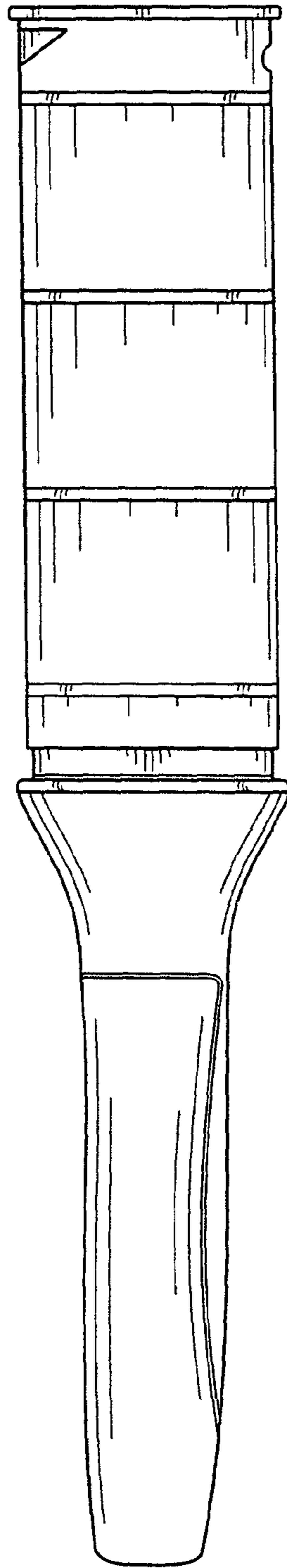


FIG. 4

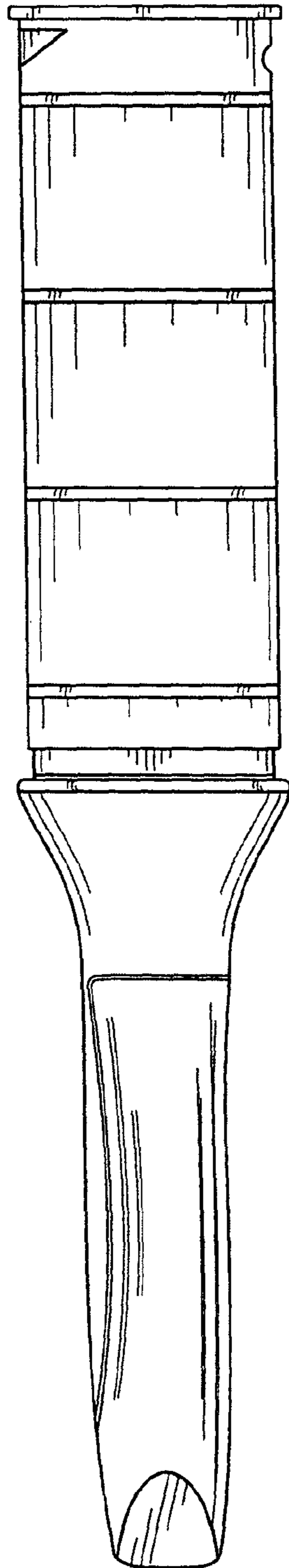


FIG. 5

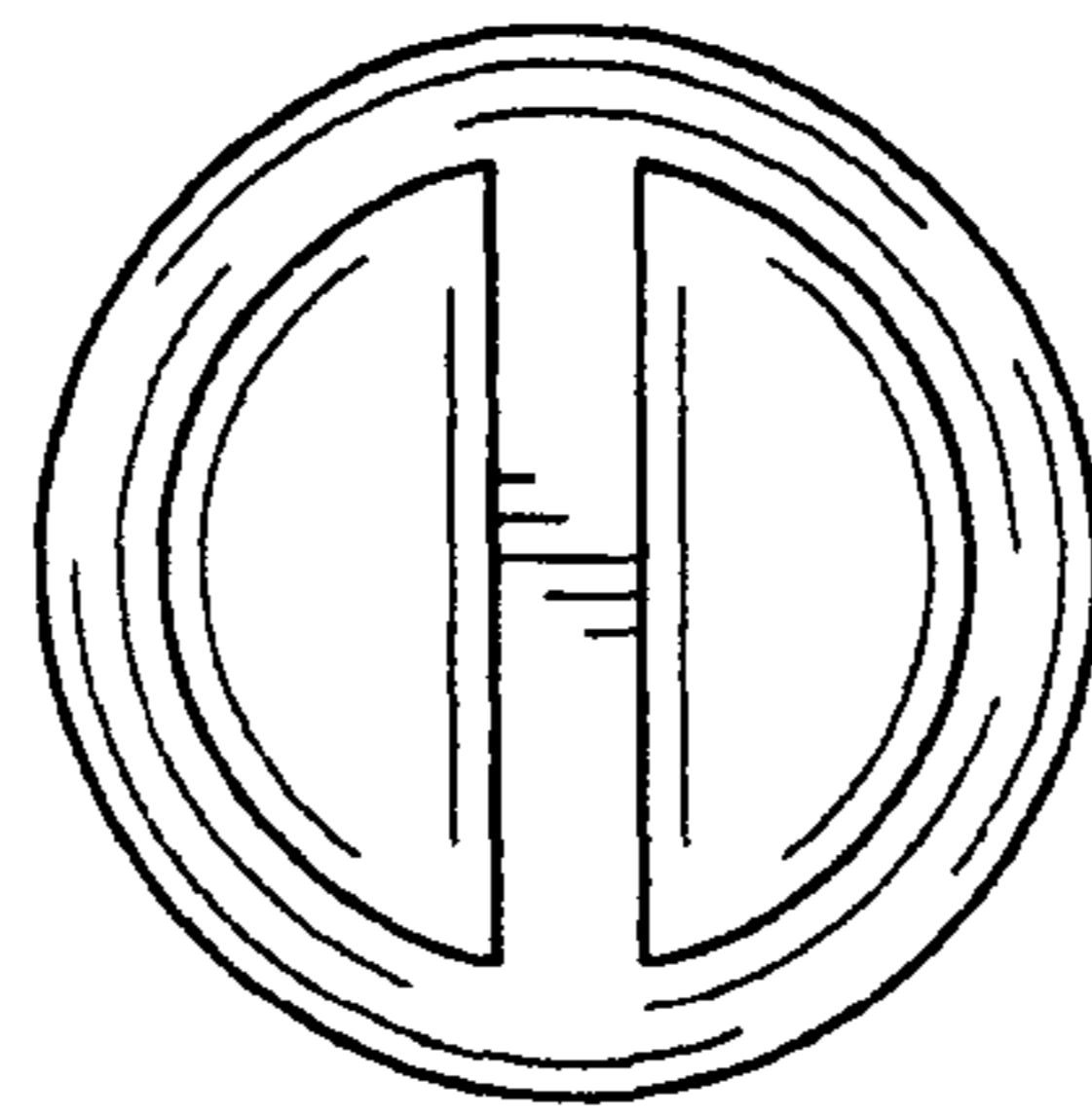


FIG. 6

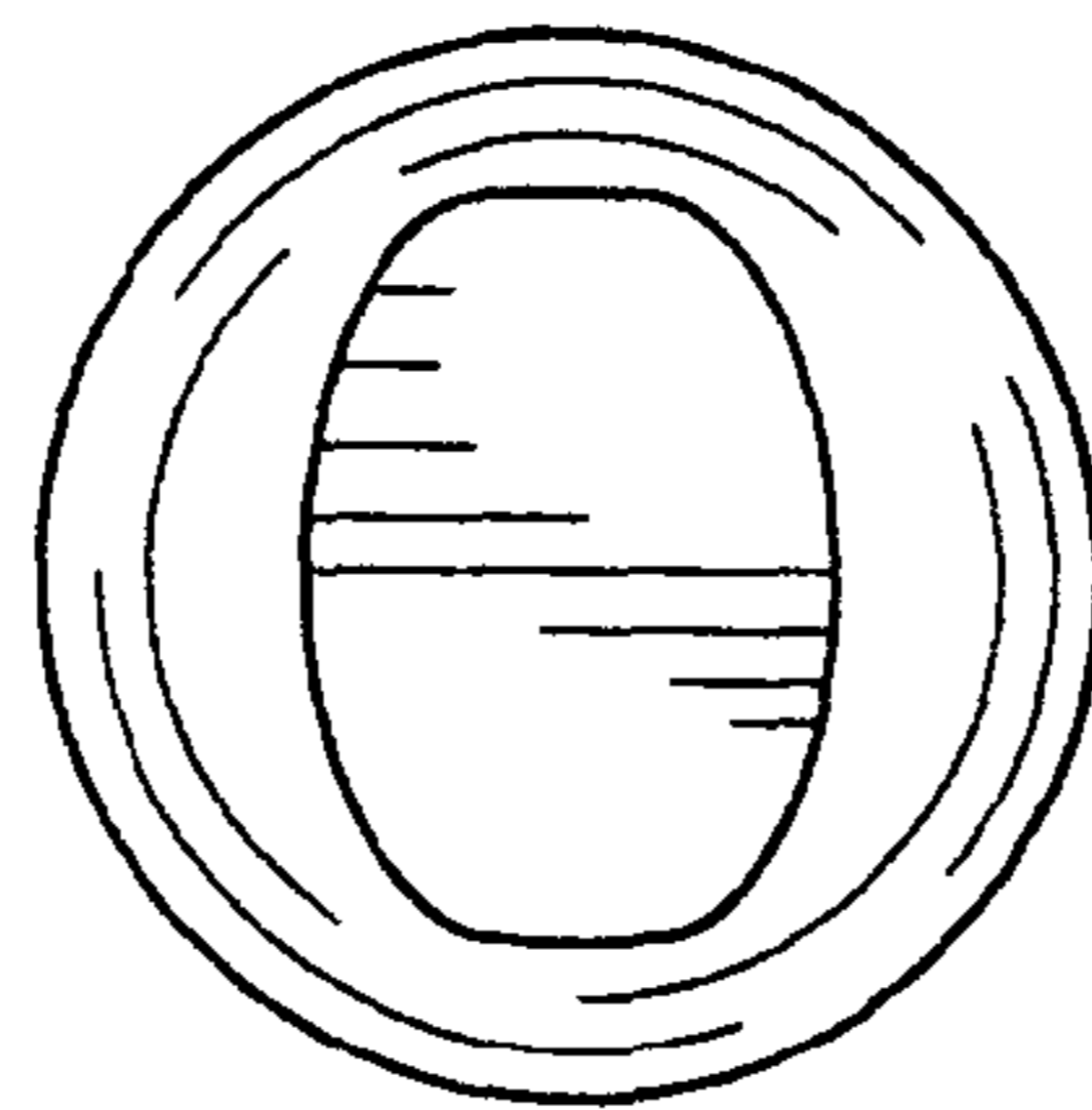


FIG. 7

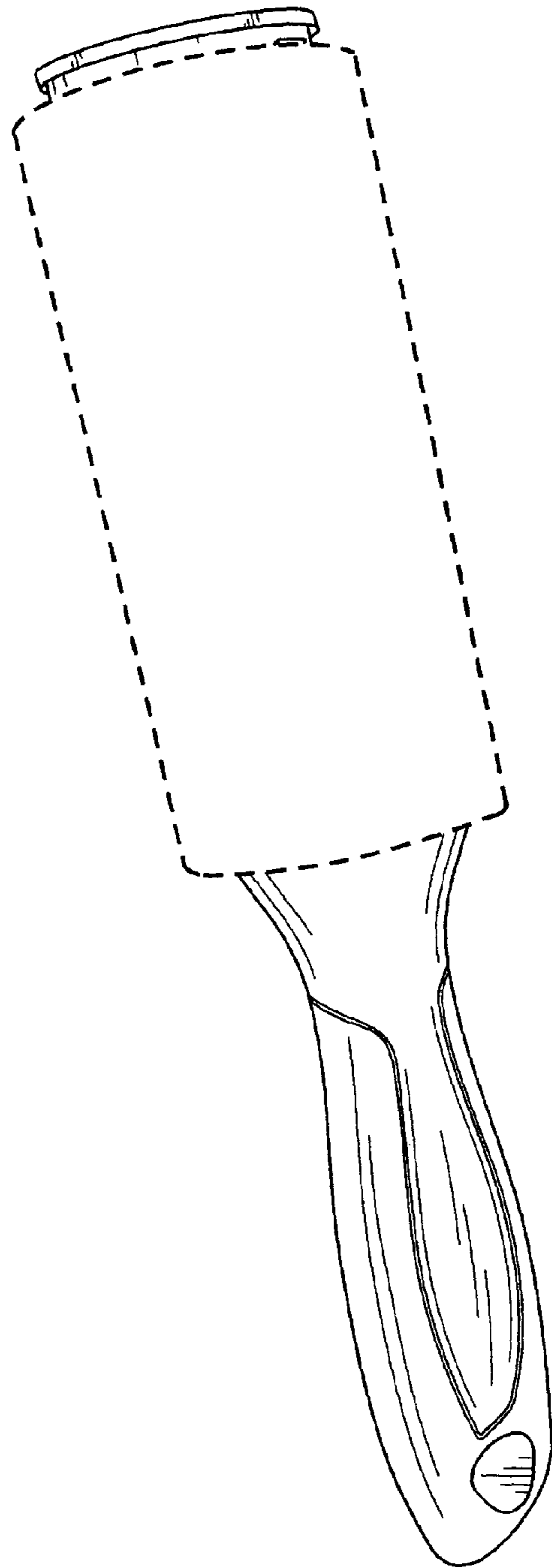


FIG. 8