



US00D656318S

(12) **United States Design Patent**
Zoghbi

(10) **Patent No.:** **US D656,318 S**
(45) **Date of Patent:** **** Mar. 27, 2012**

(54) **TOOTHBRUSH WITH ROTATABLE HEAD**

(76) Inventor: **Chebl Zoghbi**, Cape Coral, FL (US)

(**) Term: **14 Years**

(21) Appl. No.: **29/374,739**

(22) Filed: **Sep. 28, 2011**

(51) **LOC (9) Cl.** **04-02**

(52) **U.S. Cl.** **D4/104; D4/110; D4/121**

(58) **Field of Classification Search** D4/101,
D4/104–112, 121, 130; 15/144.1, 167.1,
15/167.2, 172; 132/308–311

See application file for complete search history.

(56) **References Cited**

U.S. PATENT DOCUMENTS

1,439,913	A *	12/1922	Saxe	15/172
1,439,914	A *	12/1922	Saxe	15/172
1,442,362	A *	1/1923	Saxe	15/172
2,002,320	A *	5/1935	Jones	15/172
D365,683	S *	1/1996	Wan	D4/104
D365,929	S *	1/1996	Zeitouny	D4/104
5,499,422	A *	3/1996	Lavazoli	15/167.1
D369,243	S *	4/1996	Hunt	D4/104
5,884,354	A *	3/1999	Anderson	15/167.1
D429,887	S *	8/2000	Hohlbein et al.	D4/104

* cited by examiner

Primary Examiner — Melanie H Tung

Assistant Examiner — Lavone D Tabor

(74) *Attorney, Agent, or Firm* — William E. Noonan

(57) **CLAIM**

The ornamental design for a toothbrush with rotatable head, as shown and described.

DESCRIPTION

FIG. 1 is a perspective view of a toothbrush with rotatable head with the head oriented perpendicularly to the handle and the broken lines illustrating a portion of the handle forming no part of the claimed design;

FIG. 2 is an exploded view of the toothbrush as oriented in FIG. 1;

FIG. 3 is a top plan view of the toothbrush as oriented in FIG. 1;

FIG. 4 is a top plan view of the toothbrush oriented at a 45° to the handle;

FIG. 5 is a top plan view of the toothbrush oriented to be aligned with the handle;

FIG. 6 is a bottom plan view of the toothbrush as oriented in FIG. 1;

FIG. 7 is an elevational view as seen from the bottom of the toothbrush as shown in FIG. 3;

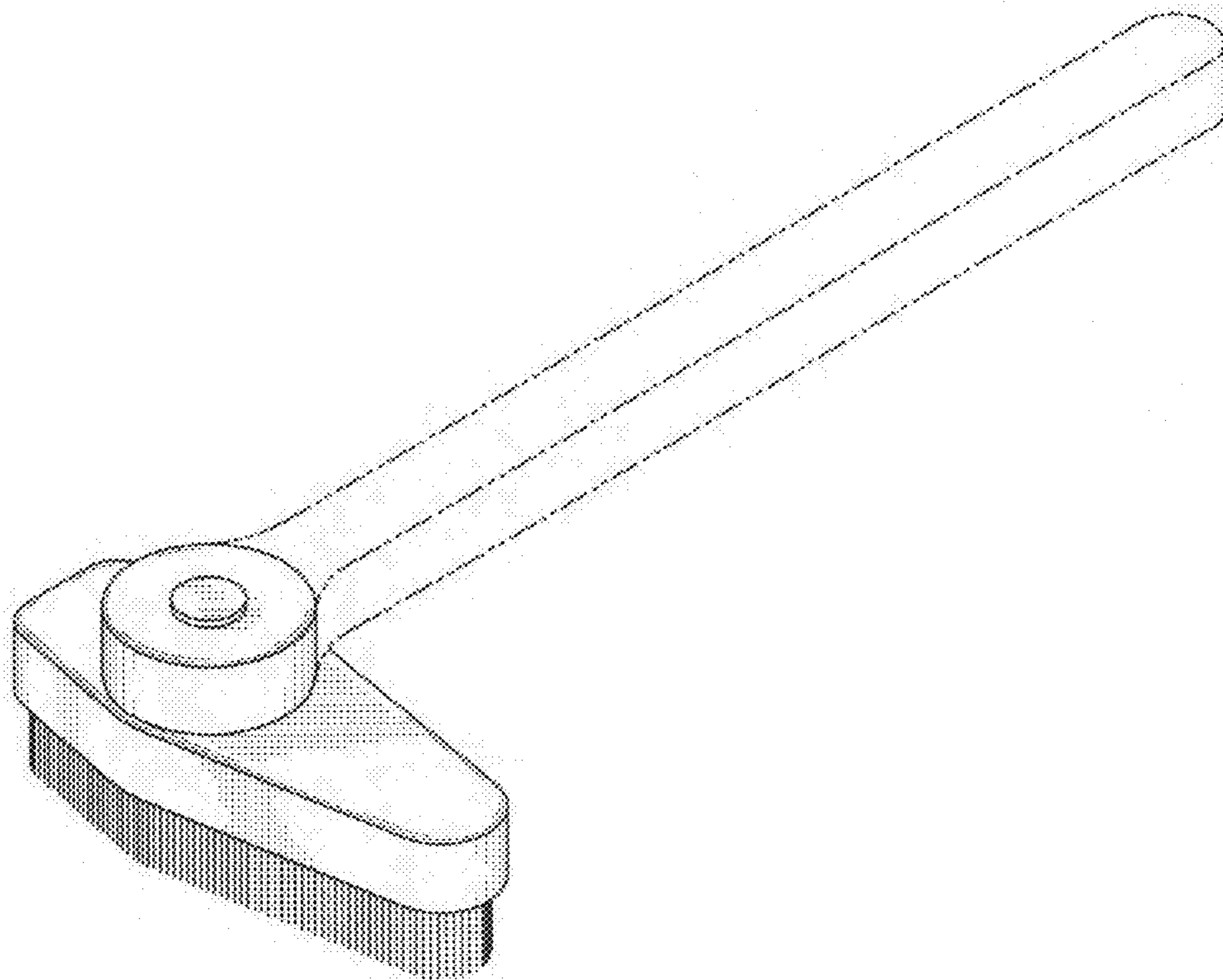
FIG. 8 is an elevational view opposite that shown in FIG. 7;

FIG. 9 is an elevational view as seen from the left of the toothbrush as shown in FIG. 3;

FIG. 10 is an elevational view as seen from the right of the toothbrush as shown in FIG. 3; and,

FIG. 11 is a bottom plan view of the handle portion, shown separately for clarity of illustration only.

1 Claim, 5 Drawing Sheets



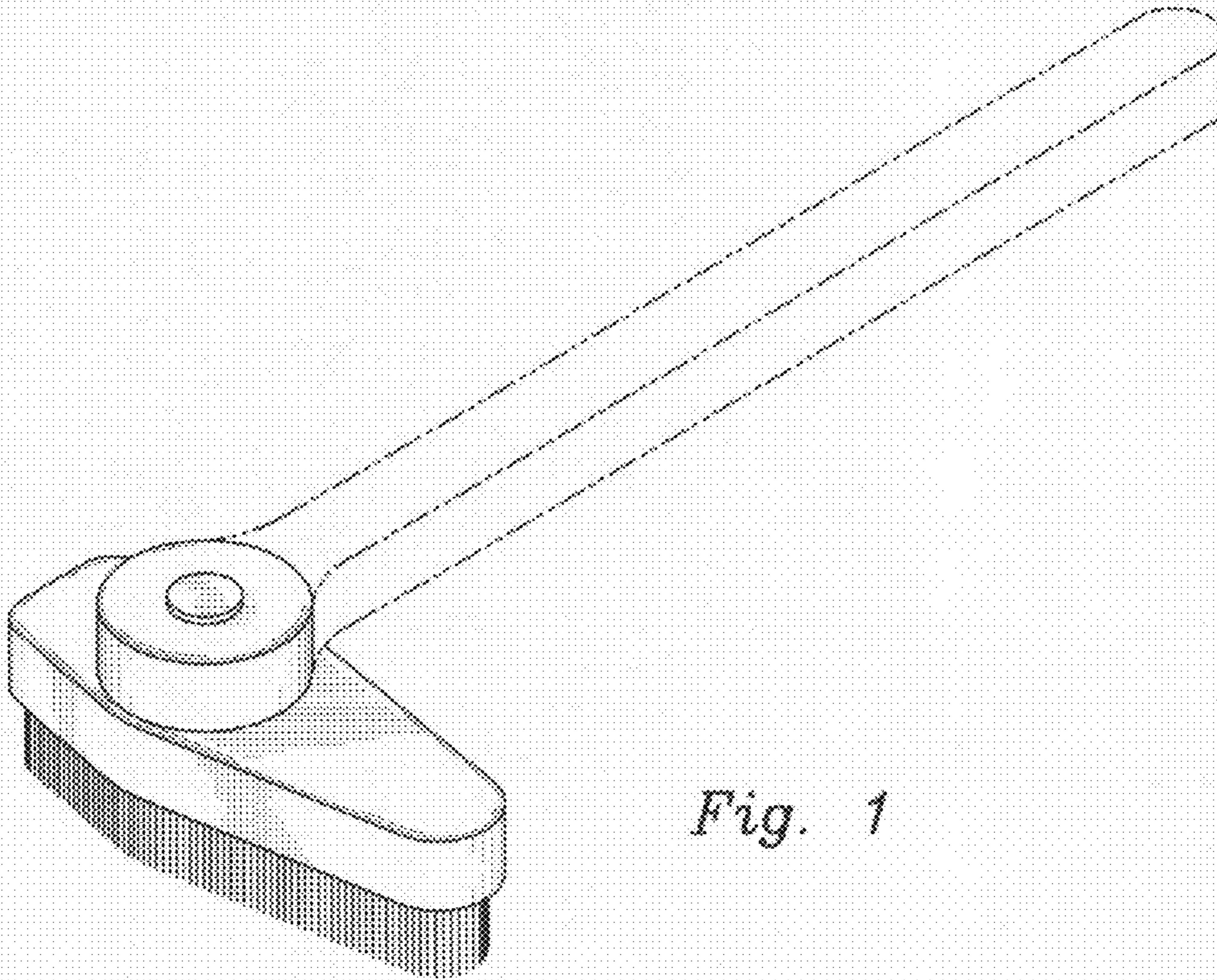


Fig. 1

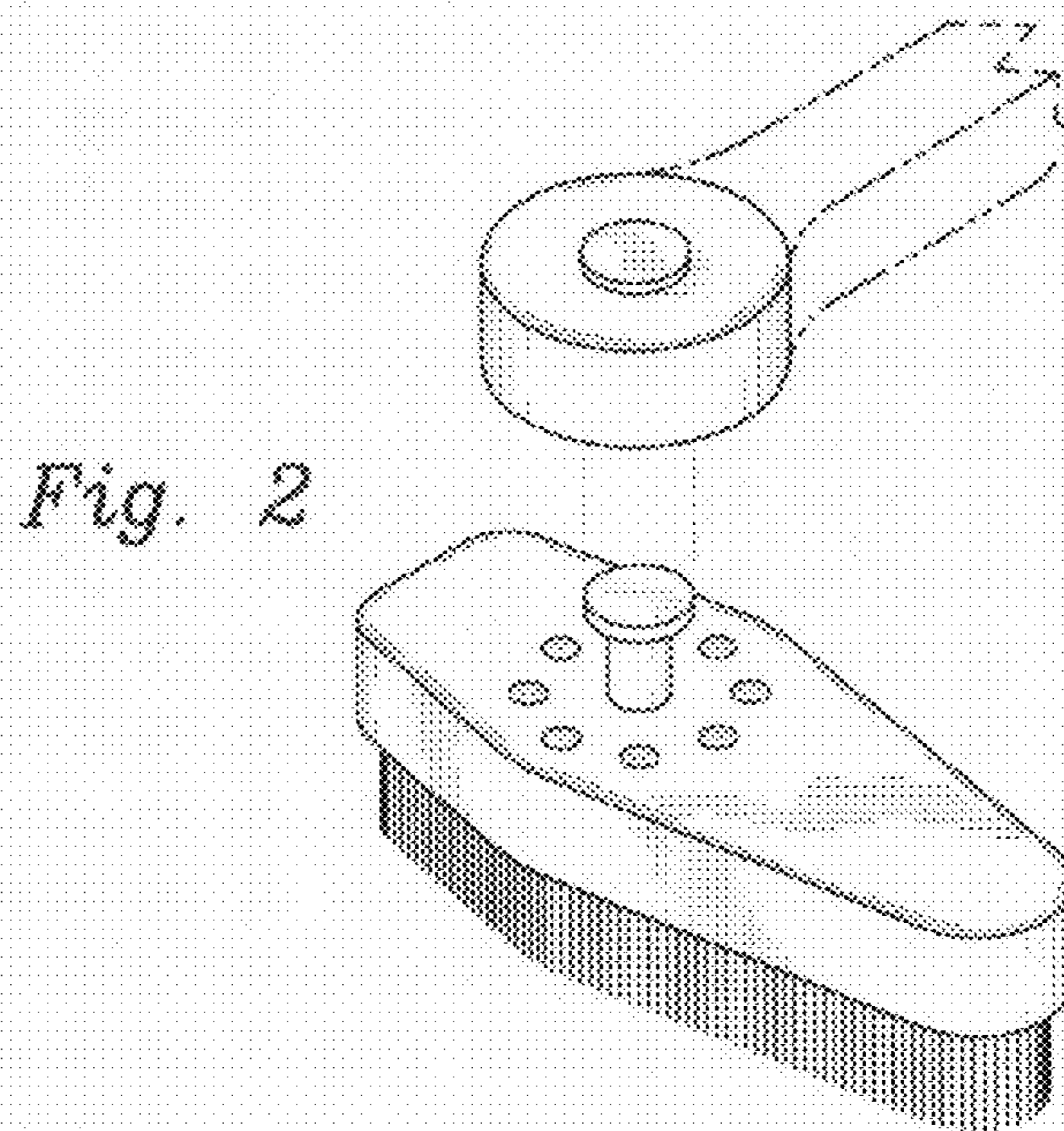


Fig. 2

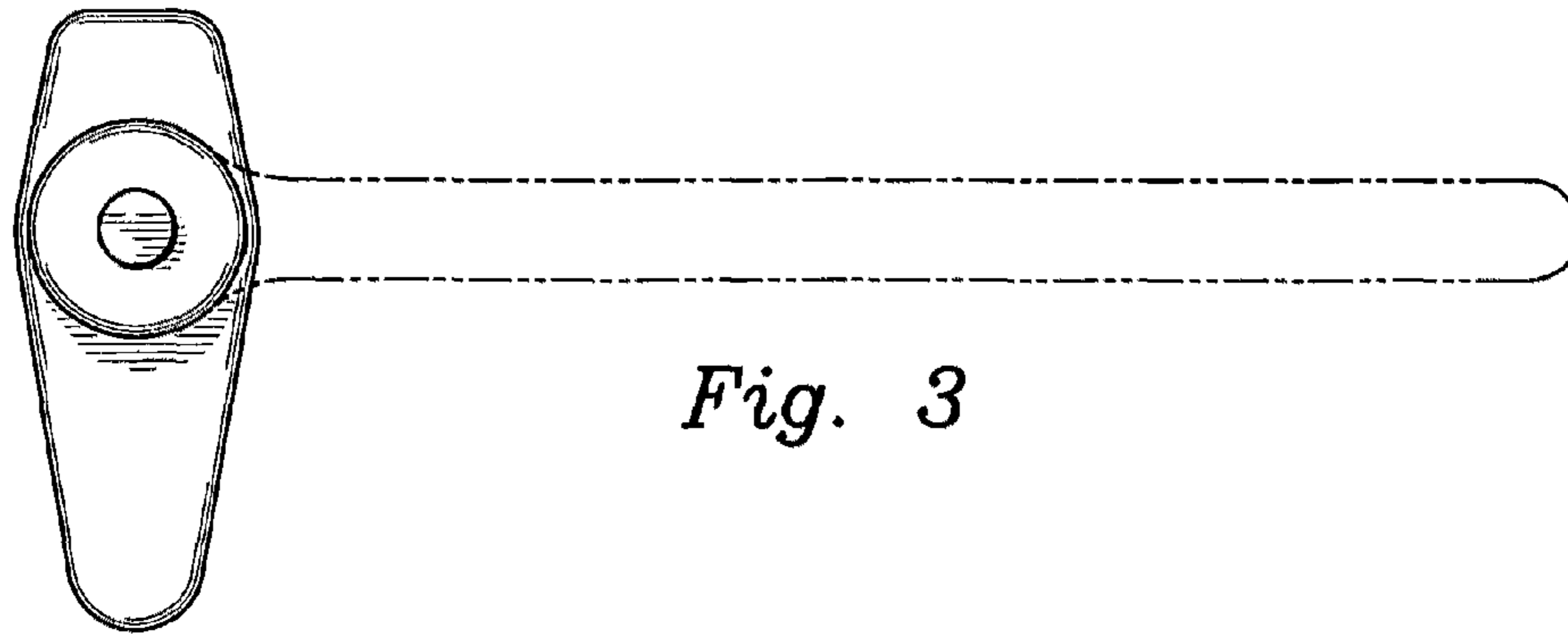


Fig. 3

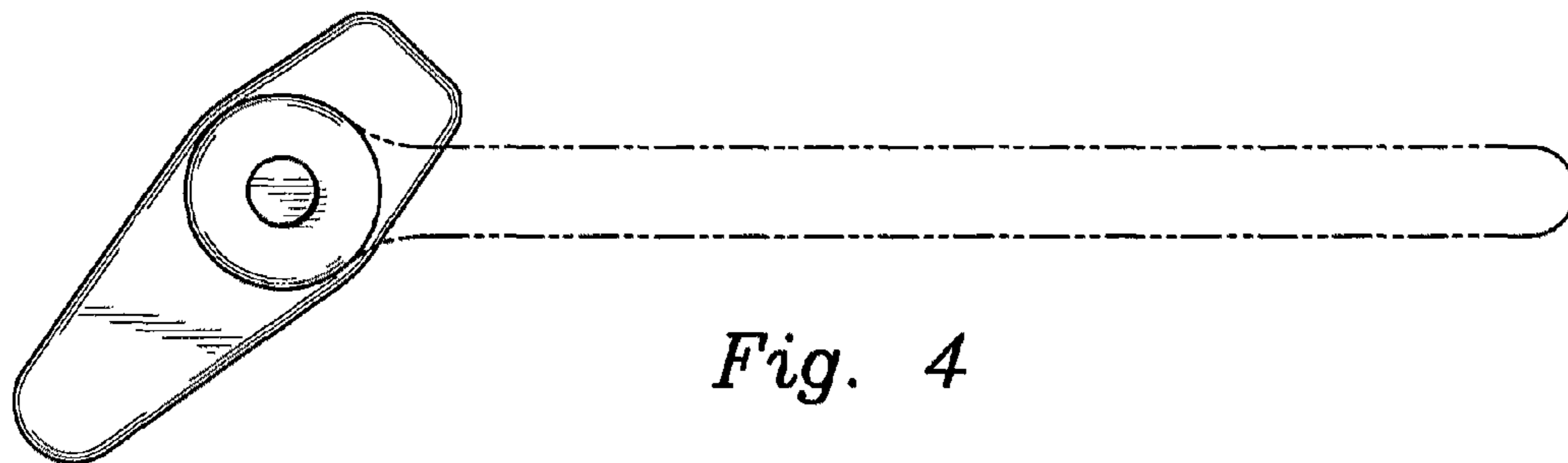


Fig. 4

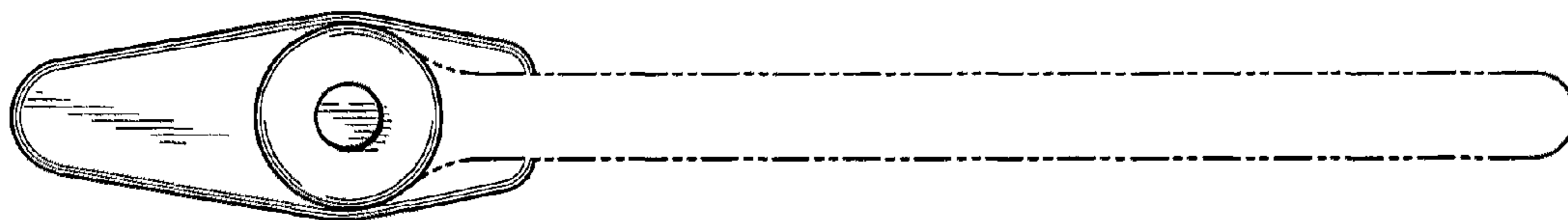


Fig. 5

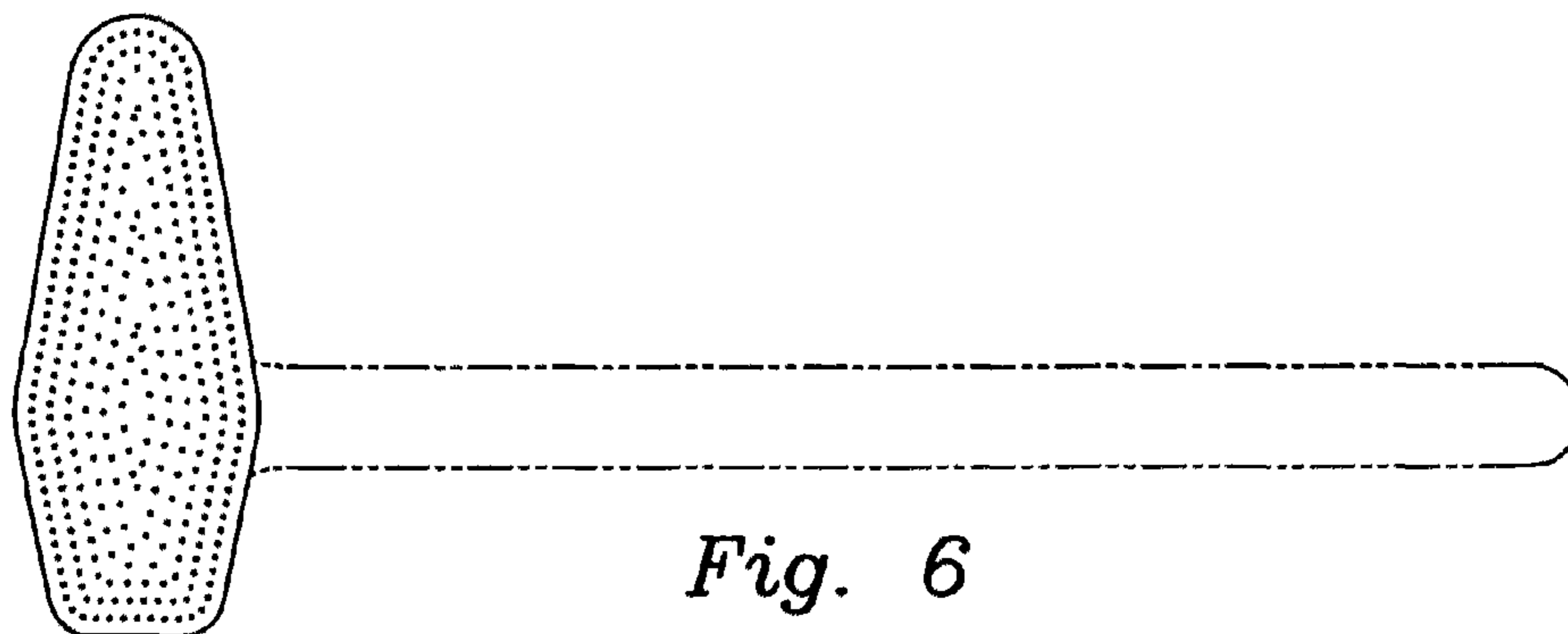


Fig. 6

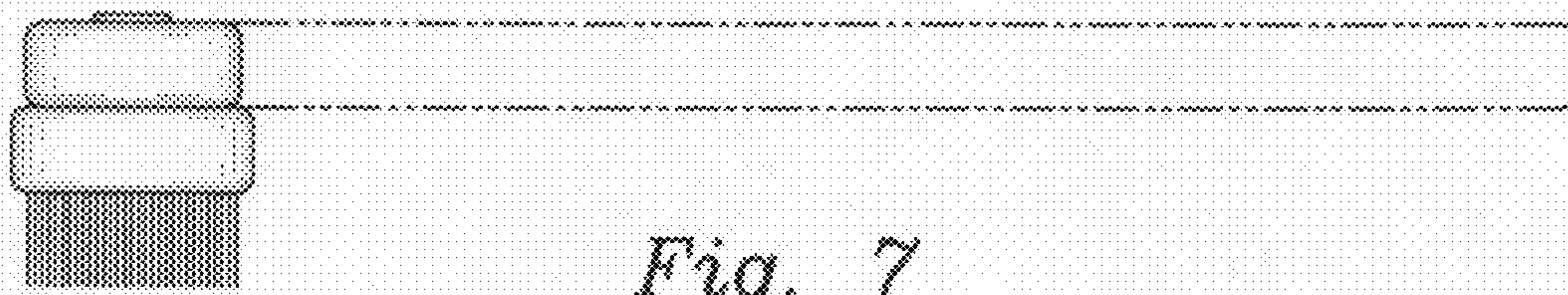


Fig. 7

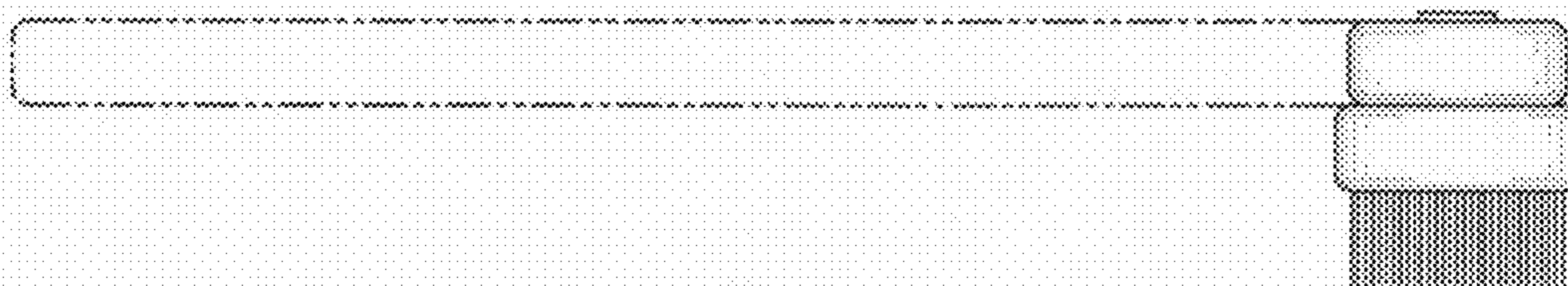


Fig. 8

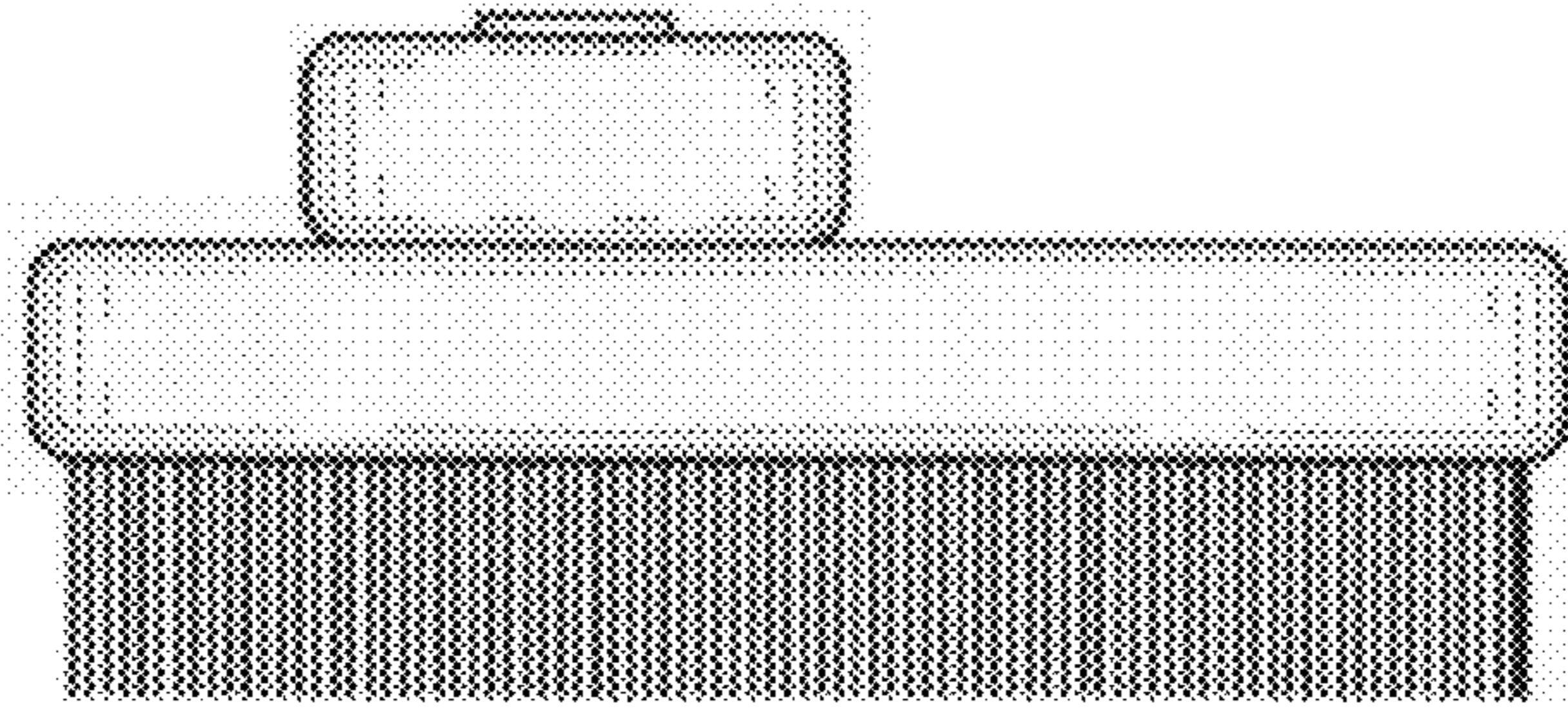


Fig. 9

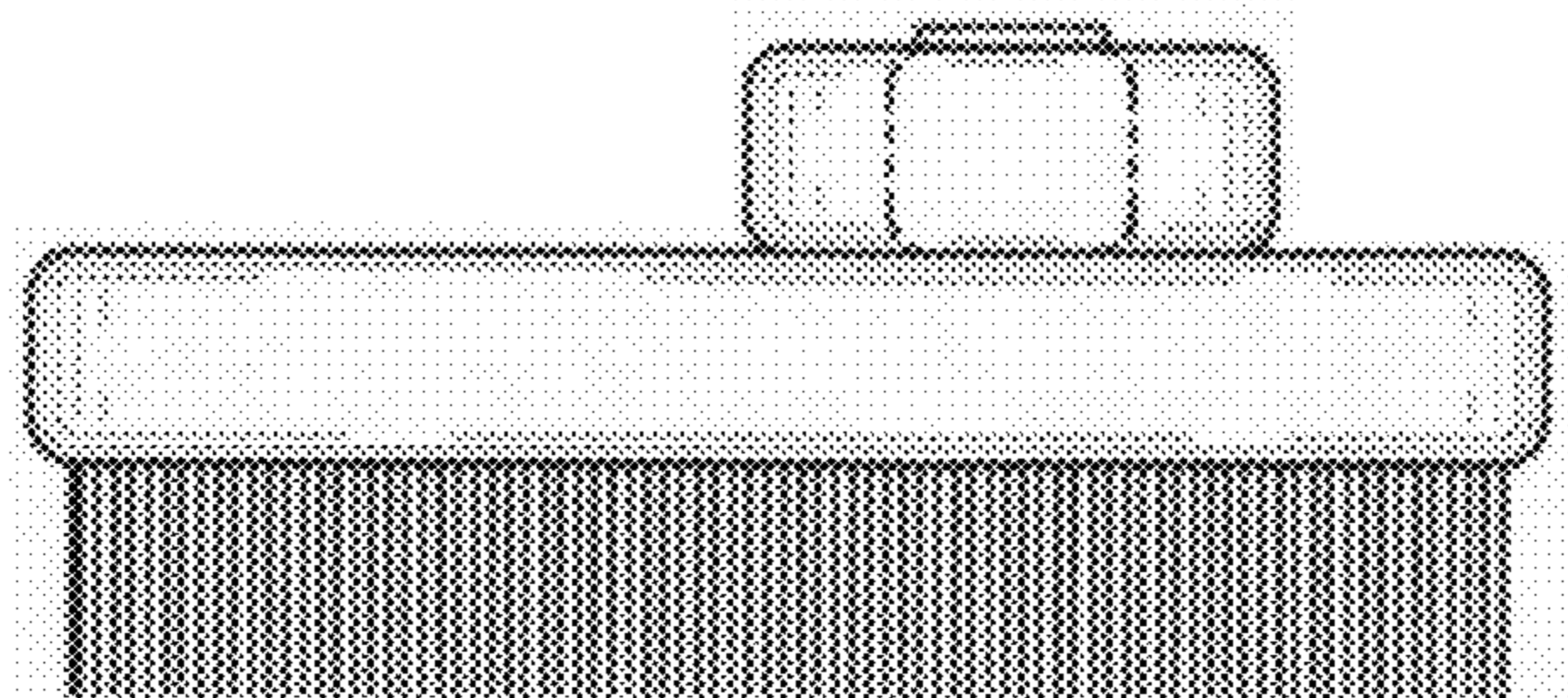


Fig. 10

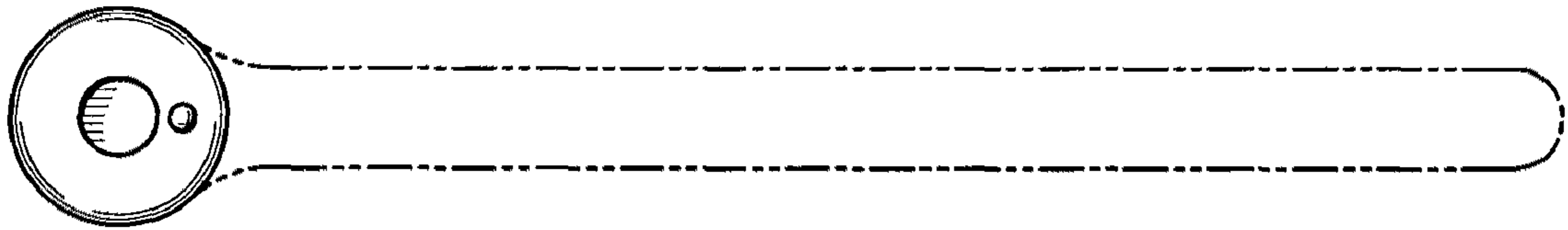


Fig. 11