

US00D656316S

(12) **United States Design Patent**  
**Horito et al.**

(10) **Patent No.:** **US D656,316 S**  
(45) **Date of Patent:** **\*\* Mar. 27, 2012**

(54) **STORAGE BOX**

(75) Inventors: **Michael Horito**, Provo, UT (US); **Lee Croy**, Salt Lake City, UT (US); **John R. Omdahl, II**, Lindon, UT (US); **Steven Madsen**, New York, NY (US)

(73) Assignee: **Fenix Outdoor AB**, Oernskoeldsvik (SE)

(\*\*) Term: **14 Years**

(21) Appl. No.: **29/398,682**

(22) Filed: **Aug. 3, 2011**

(51) **LOC (9) Cl.** ..... **03-01**

(52) **U.S. Cl.** ..... **D3/302**

(58) **Field of Classification Search** ..... D3/273,  
D3/300, 302, 905, 293, 276, 272; 206/508,  
206/515, 518, 372-379; 220/780, 784, 4.21-4.24;  
D9/424, 423, 425, 430-432

See application file for complete search history.

(56) **References Cited**

**U.S. PATENT DOCUMENTS**

D307,354 S *	4/1990	Knotter et al.	.....	D3/294
D353,744 S *	12/1994	Ferris et al.	.....	D9/420
D409,385 S *	5/1999	Pearson et al.	.....	D3/301
D509,132 S *	9/2005	Au	.....	D3/294

D641,164 S *	7/2011	Cornu et al.	.....	D3/294
2003/0006157 A1 *	1/2003	Vasudeva	.....	206/379
2008/0035508 A1 *	2/2008	Streich et al.	.....	206/372

\* cited by examiner

*Primary Examiner* — Jennifer Rivard

(74) *Attorney, Agent, or Firm* — Collard & Roe, P.C.

(57) **CLAIM**

The ornamental design for a storage box, as shown and described.

**DESCRIPTION**

FIG. 1 is a top and side perspective view of a storage box, showing our new design in a closed position;

FIG. 2 is a top view thereof;

FIG. 3 is a bottom view thereof;

FIG. 4 is a front view thereof;

FIG. 5 is a rear view thereof;

FIG. 6 is a left side view thereof;

FIG. 7 is a right side view thereof;

FIG. 8 is a perspective view thereof in an open position;

FIG. 9 is a top view thereof;

FIG. 10 is a bottom view thereof;

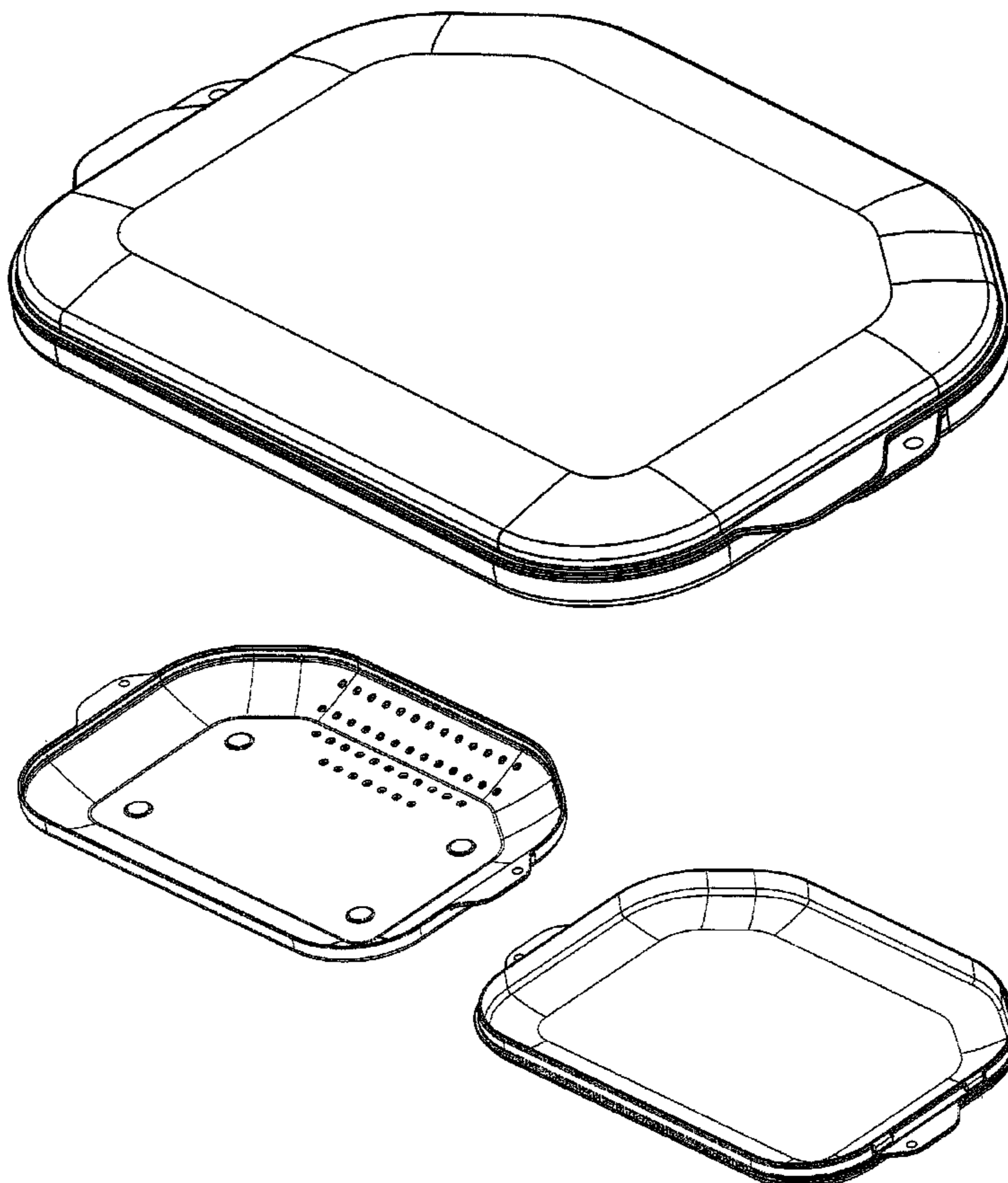
FIG. 11 is a front view thereof;

FIG. 12 is a rear view thereof;

FIG. 13 is a left side view thereof; and,

FIG. 14 is a right side view thereof.

**1 Claim, 14 Drawing Sheets**



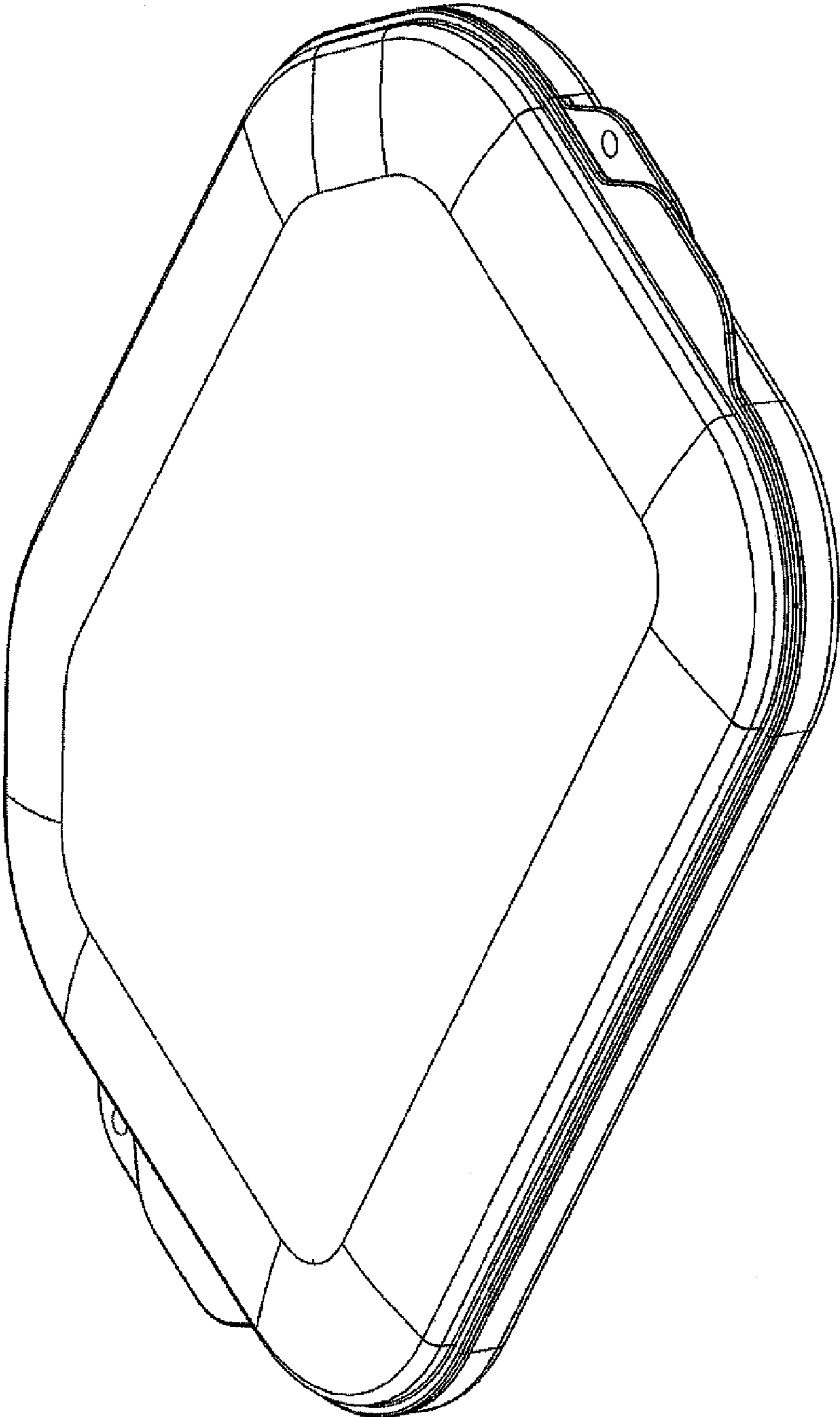


Figure 1

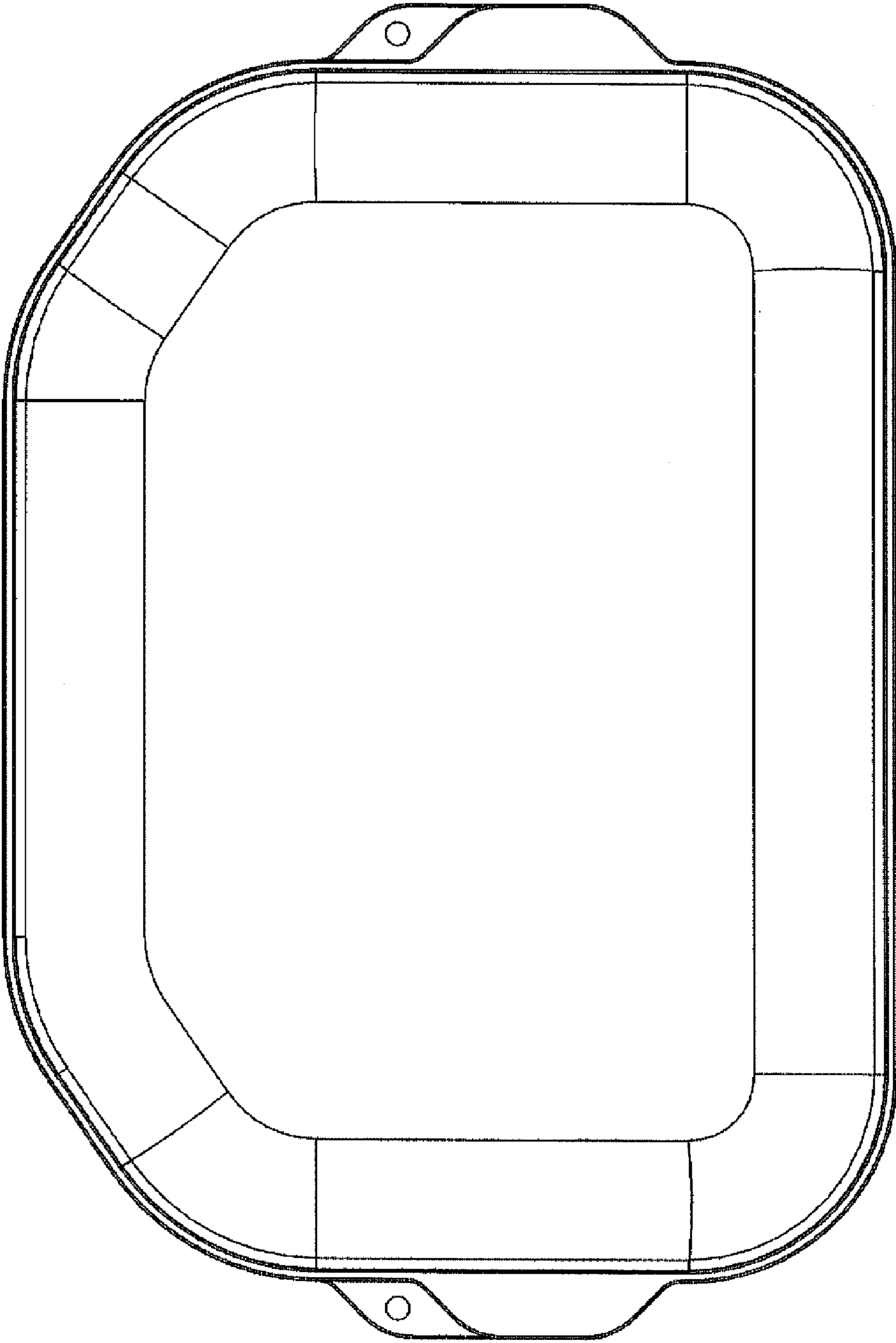


Figure 2

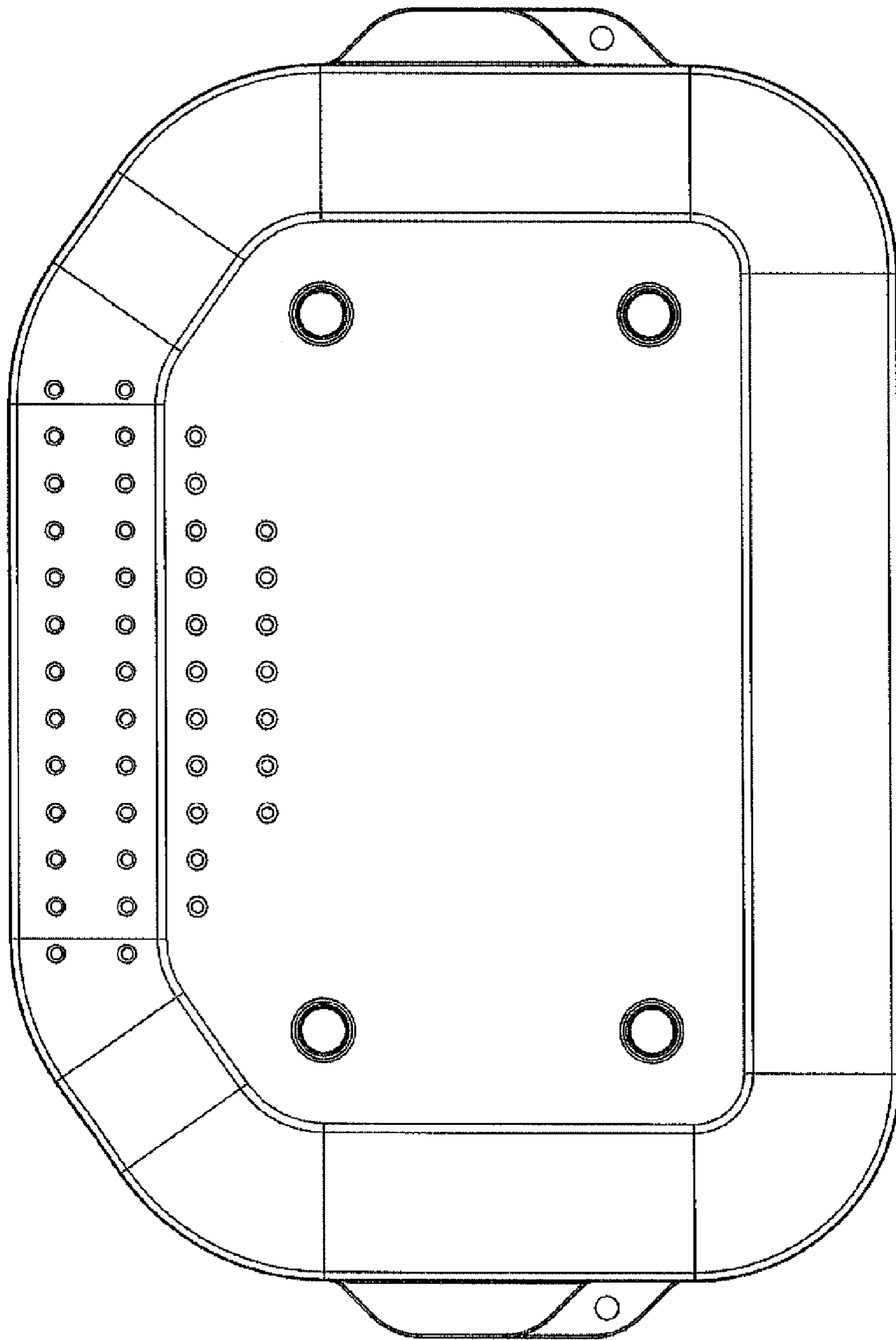


Figure 3

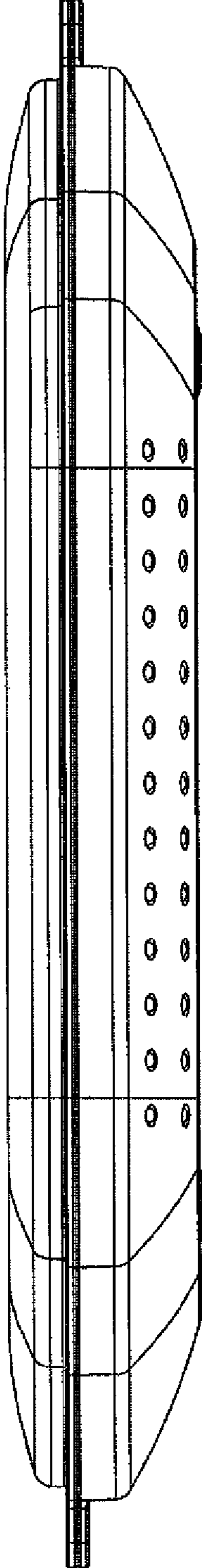


Figure 4

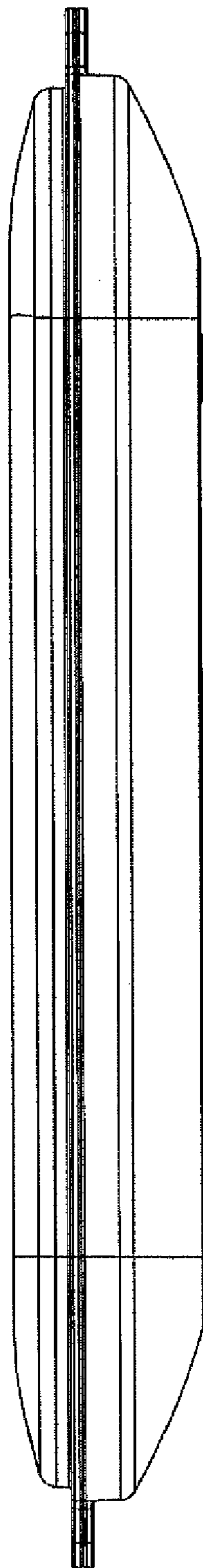


Figure 5

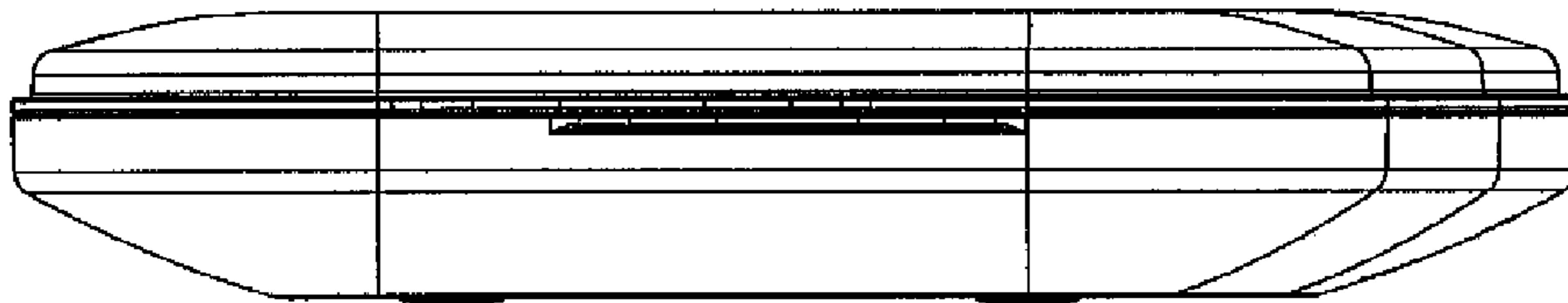


Figure 6

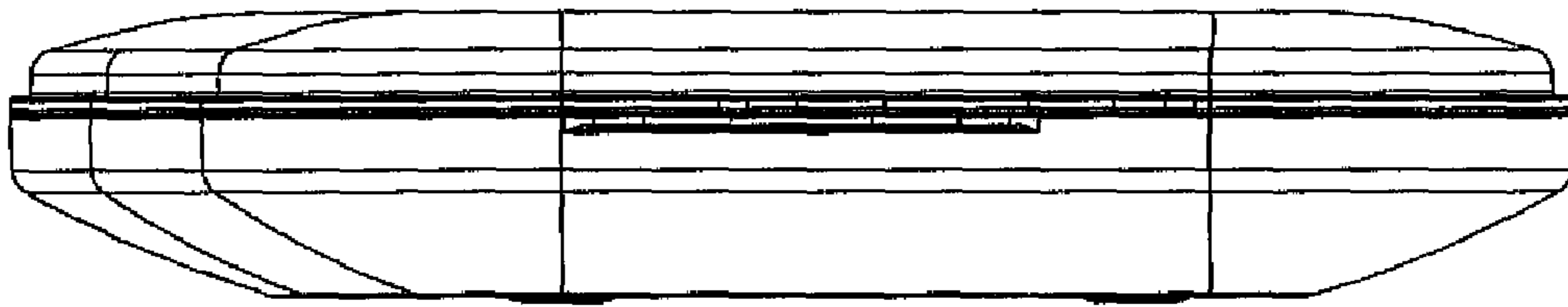


Figure 7



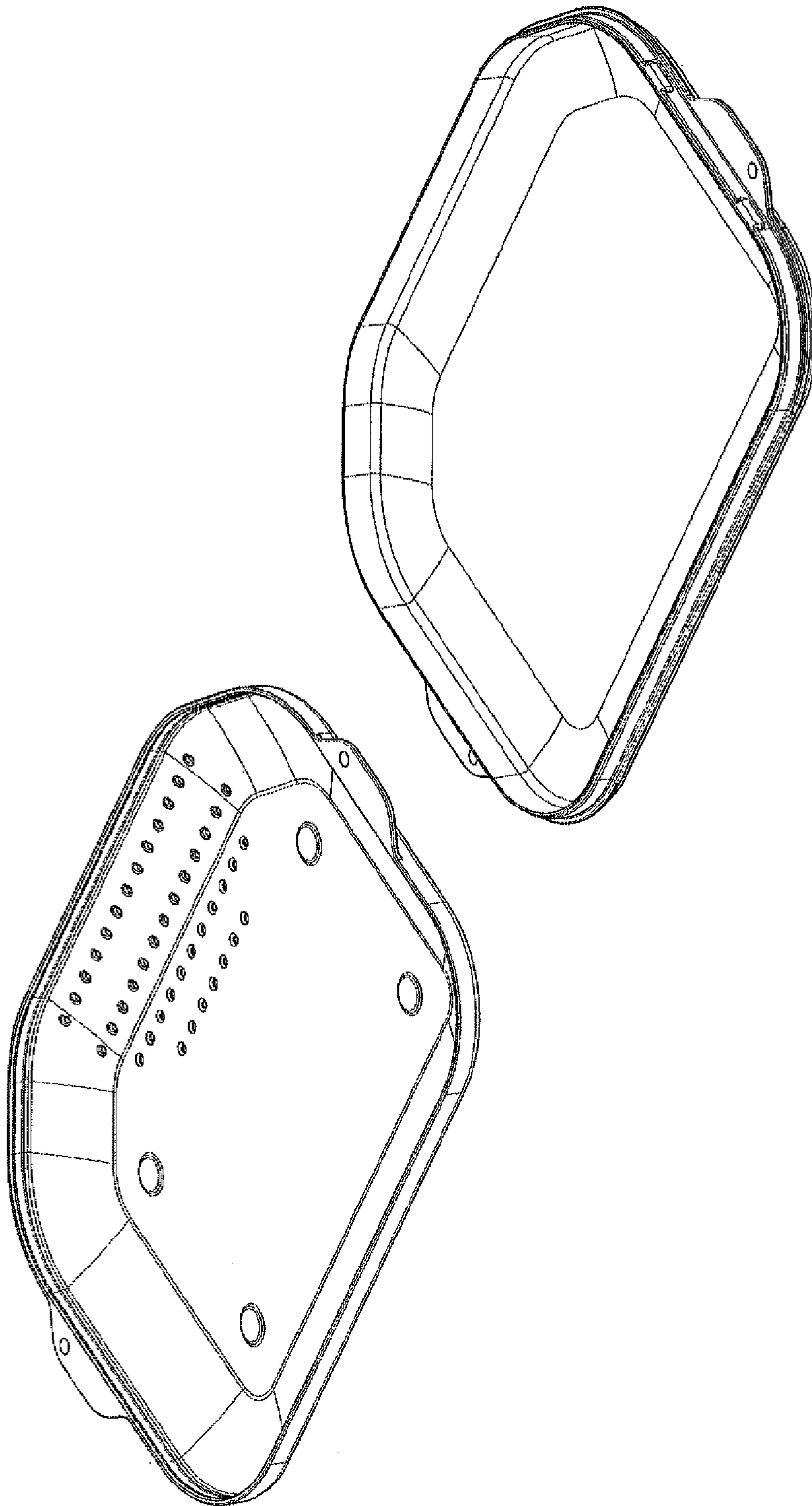


Figure 8

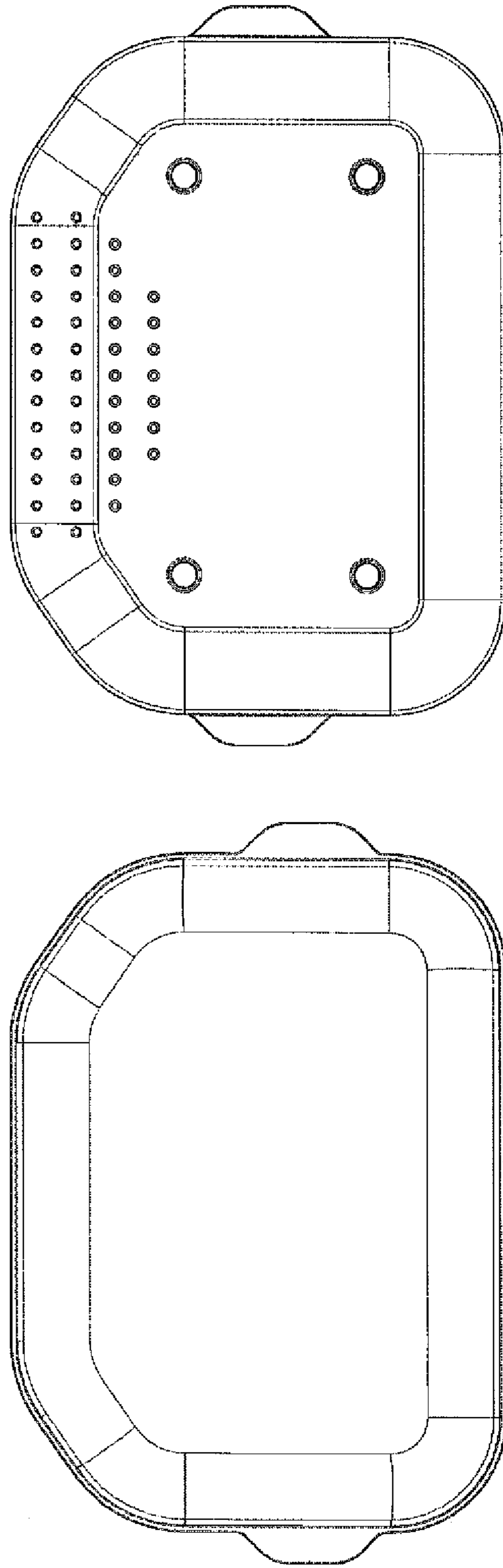


Figure 9

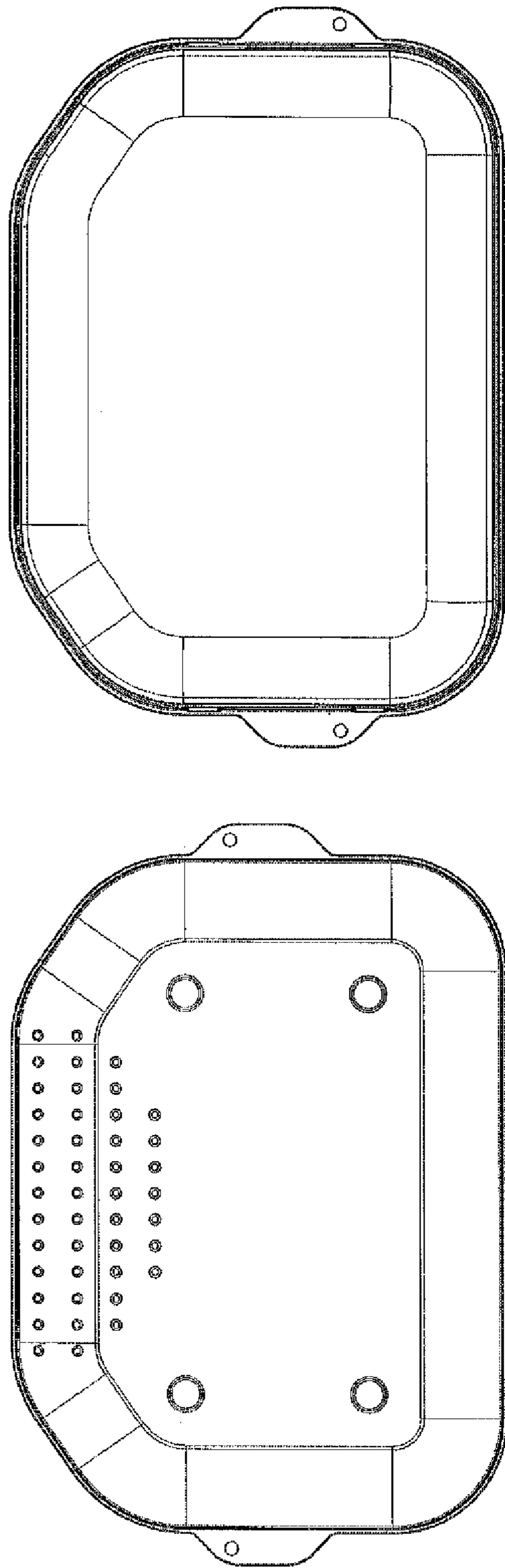


Figure 10



Figure 11



Figure 12

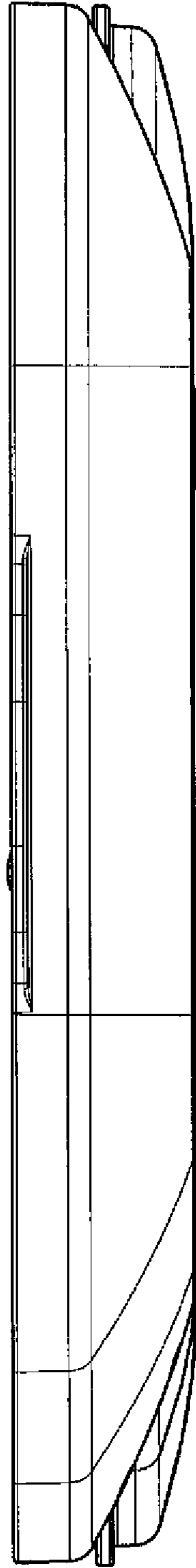


Figure 13



Figure 14