



US00D656313S

(12) **United States Design Patent**
Dumas et al.

(10) **Patent No.:** **US D656,313 S**
(45) **Date of Patent:** **** Mar. 27, 2012**

(54) **HANDBAG**

(75) Inventors: **Jean-Louis Dumas**, Paris (FR);
Pierre-Alexis Dumas, legal
representative, Paris (FR); **Sandrine**
Brekke-Dumas, legal representative,
Paris (FR); **Couli Jobert**, Paris (FR)

(73) Assignee: **Hermes Sellier (Societe Par Actions**
Simpliffee), Paris (FR)

(**) Term: **14 Years**

(21) Appl. No.: **29/381,881**

(22) Filed: **Dec. 23, 2010**

(30) **Foreign Application Priority Data**

Jun. 25, 2010 (WO) DM/074 086

(51) **LOC (9) Cl.** **03-01**

(52) **U.S. Cl.** **D3/243**

(58) **Field of Classification Search** D3/232-233,
D3/240-245, 318; 150/100, 103-110, 113-114,
150/118-119

See application file for complete search history.

(56) **References Cited**

U.S. PATENT DOCUMENTS

D490,608 S *	6/2004	Guyon	D3/246
D534,723 S *	1/2007	Fusi	D3/243
D598,648 S *	8/2009	Stulman	D3/232
D618,909 S *	7/2010	Gaultier	D3/243

* cited by examiner

Primary Examiner — Holly Baynham

(74) *Attorney, Agent, or Firm* — Foley & Lardner LLP

(57) **CLAIM**

The ornamental design for a handbag, as shown and described.

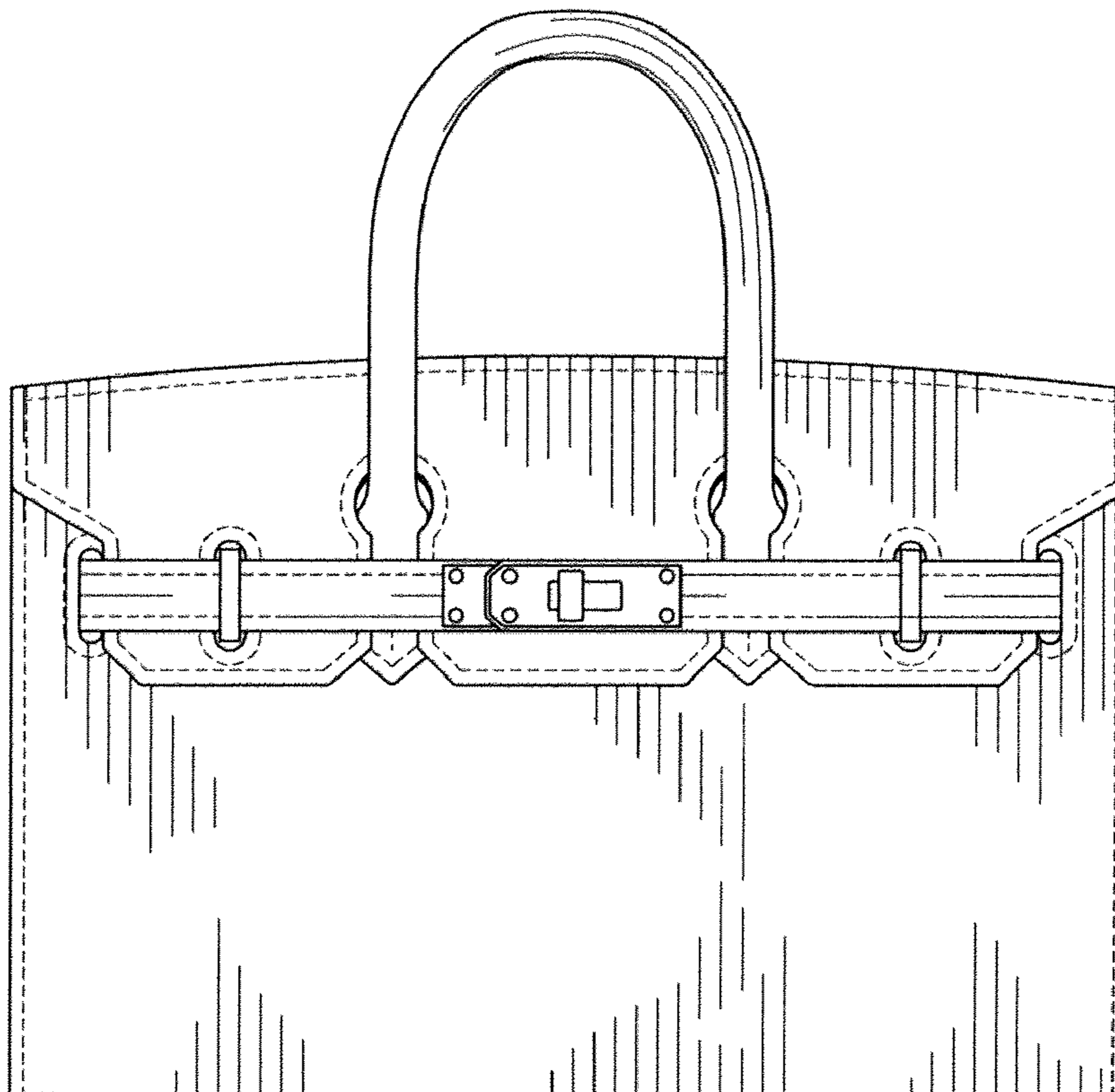
DESCRIPTION

FIG. 1 is a front view of a handbag according to our new design;
FIG. 2 is a back view of the handbag shown in FIG. 1;
FIG. 3 is a right side view of the handbag shown in FIG. 1;
FIG. 4 is a left side view of the handbag shown in FIG. 1;
FIG. 5 is a top view of the handbag shown in FIG. 1;
FIG. 6 is a bottom view of the handbag shown in FIG. 1; and,
FIG. 7 is a frontal perspective of the handbag shown in FIG. 1.

The ornamental design which is claimed is shown in solid lines in the drawings.

The broken lines representing stitching are part of the claimed design.

1 Claim, 7 Drawing Sheets



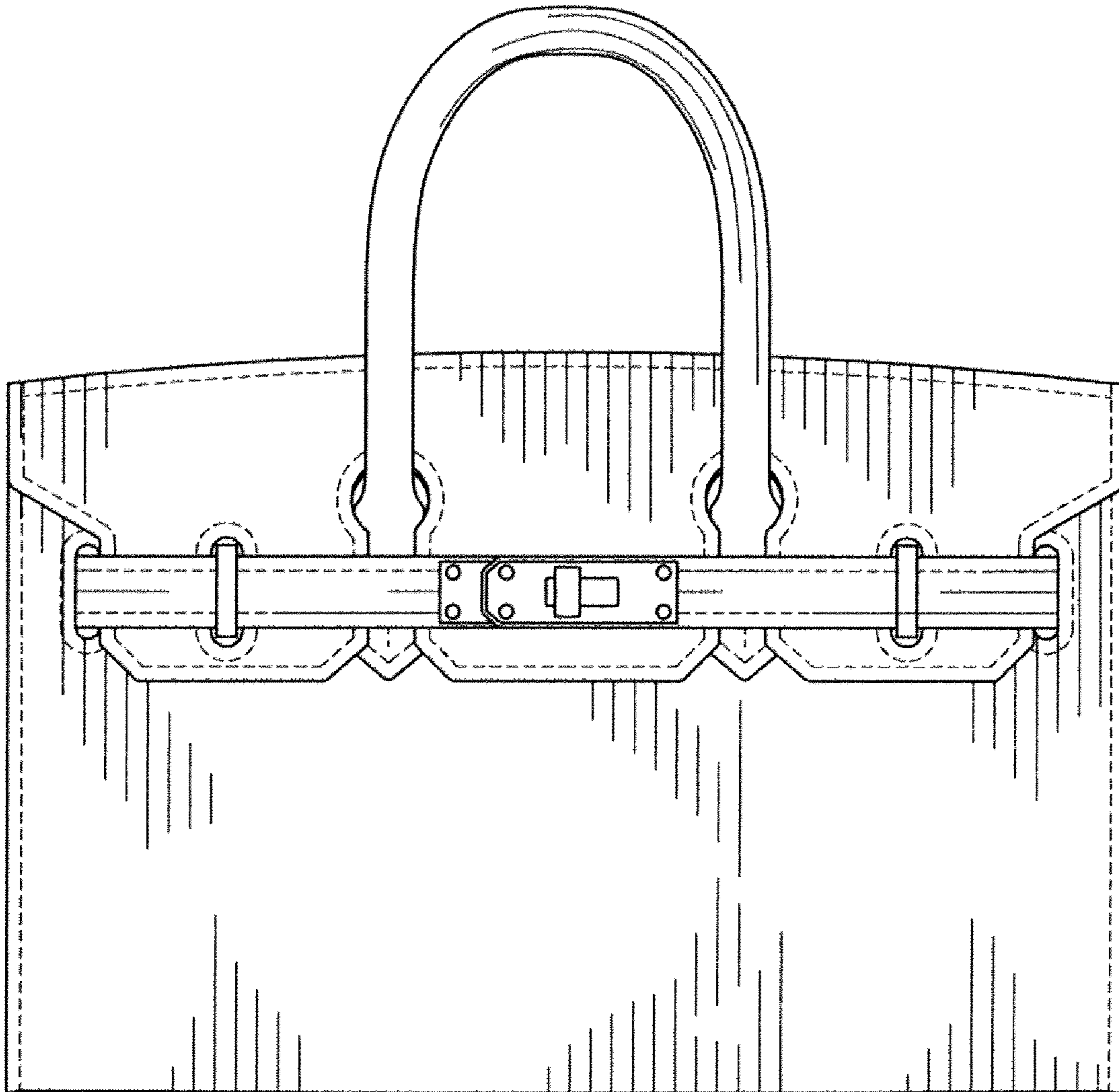


FIG. 1

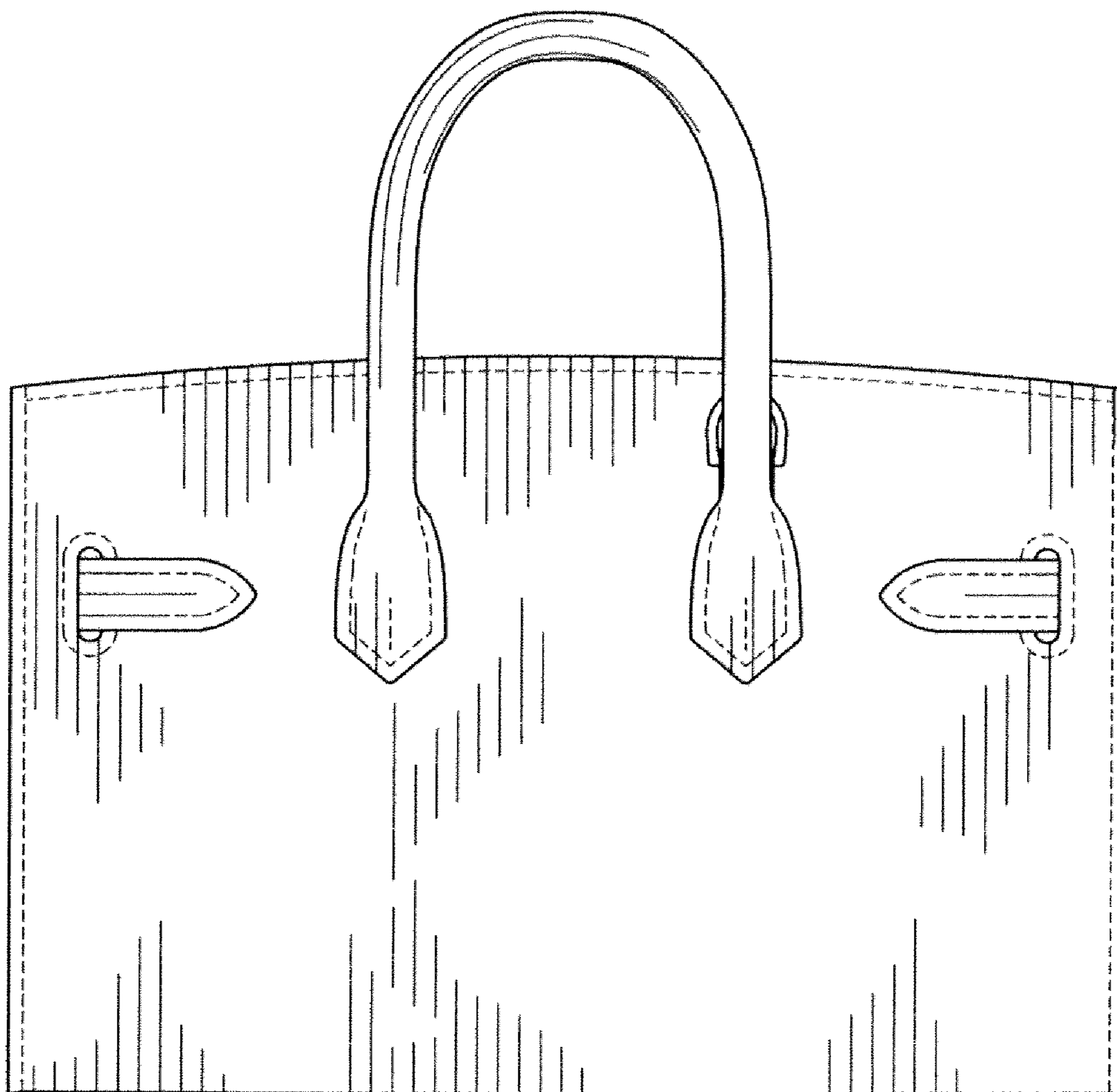


FIG. 2

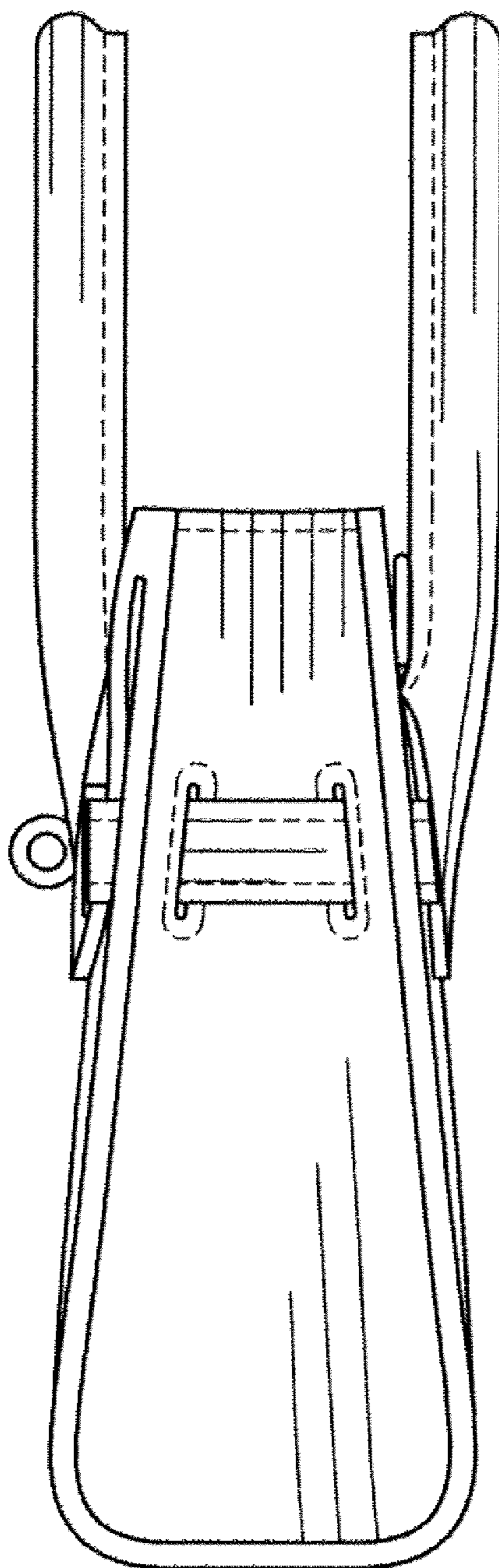


FIG. 3

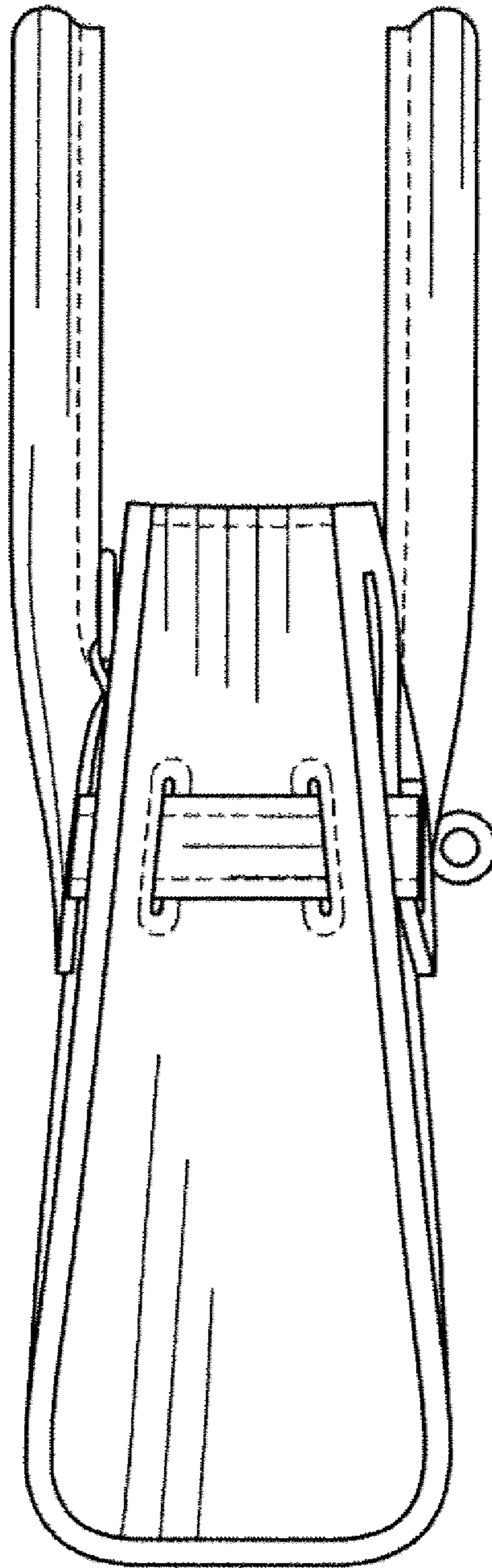


FIG. 4

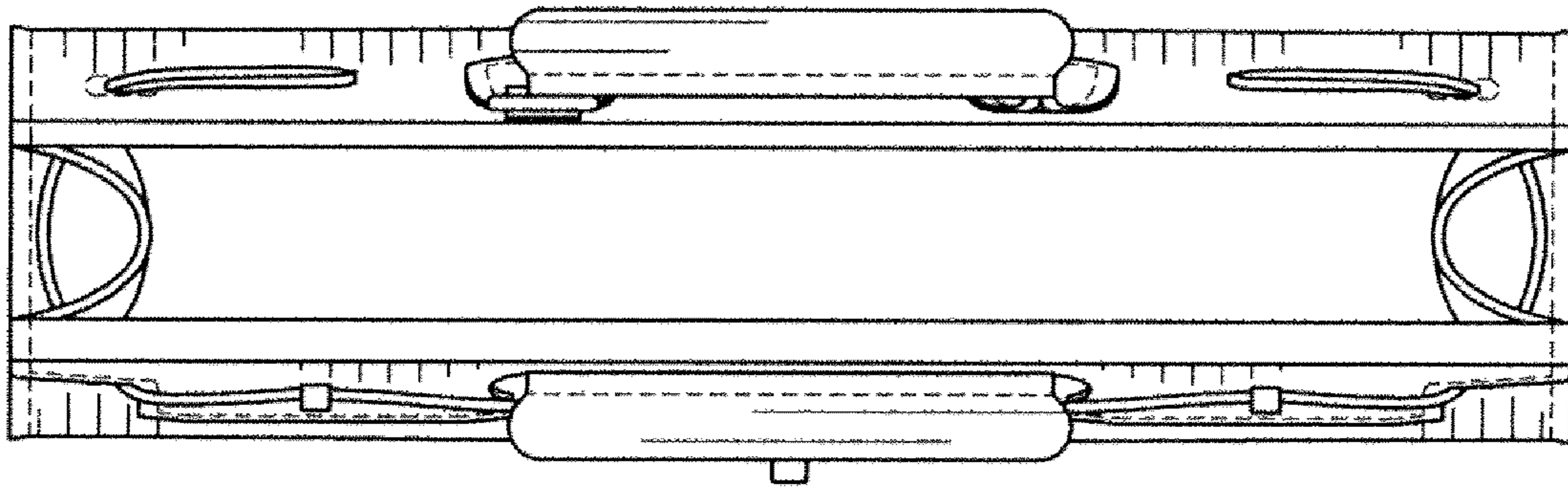


FIG. 5

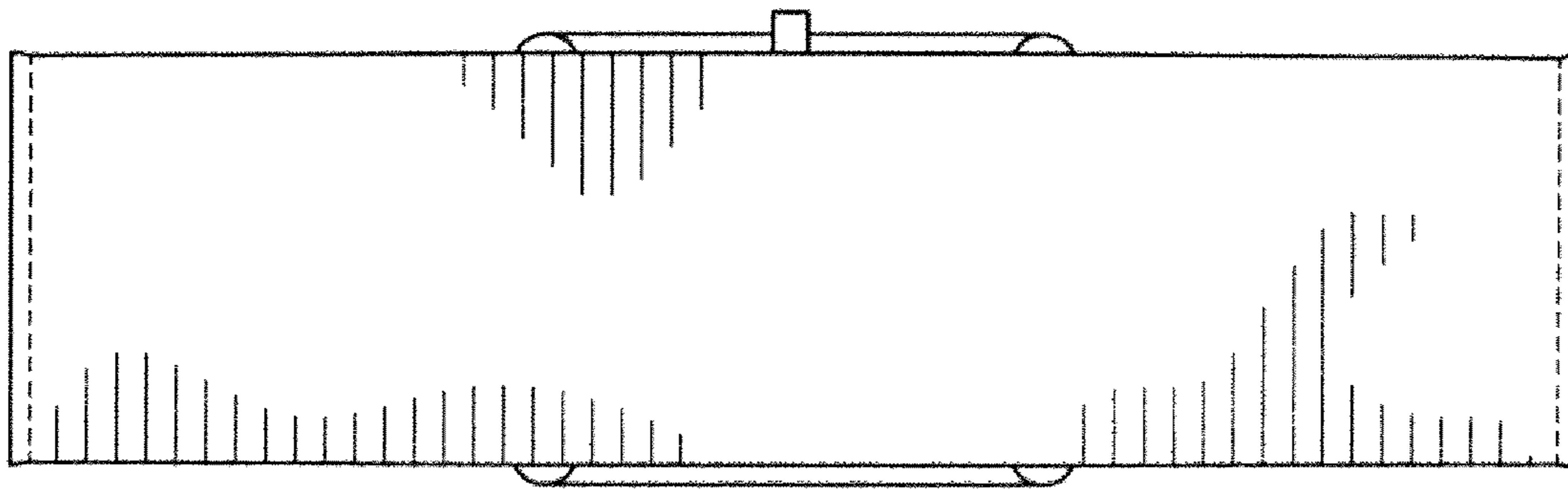


FIG. 6

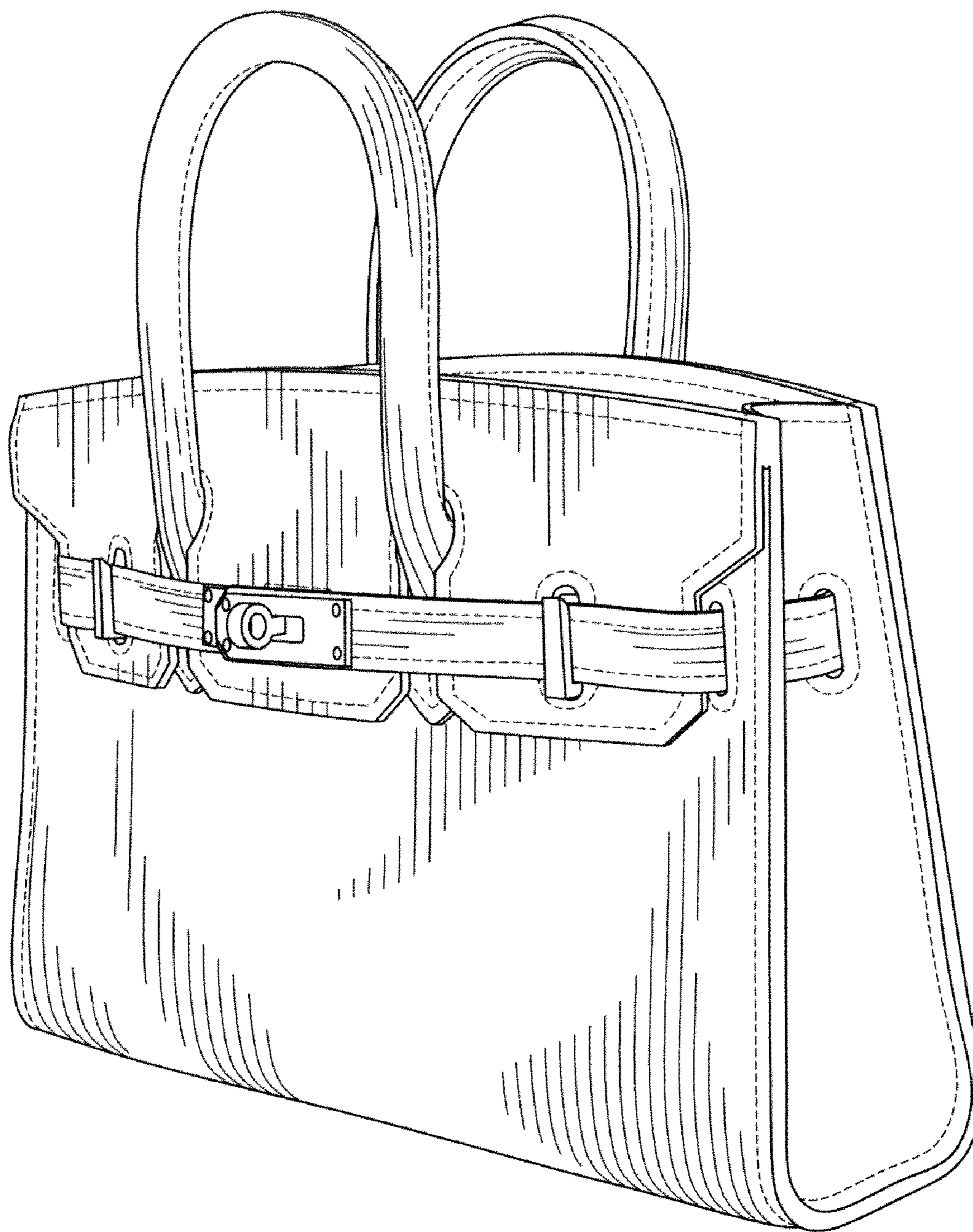


FIG. 7