



US00D656308S

(12) **United States Design Patent**
Sham

(10) **Patent No.:** **US D656,308 S**
(45) **Date of Patent:** **** Mar. 27, 2012**

(54) **REPLACEABLE CARTRIDGE FOR A PAIN MANAGEMENT SYSTEM**

(75) Inventor: **Kin-Joe Sham**, Shoreview, MN (US)

(73) Assignee: **OrthoCor Medical, Inc.**, Minneapolis, MN (US)

(**) Term: **14 Years**

(21) Appl. No.: **29/379,369**

(22) Filed: **Nov. 18, 2010**

(51) **LOC (9) Cl.** **03-01**

(52) **U.S. Cl.** **D3/203.1**

(58) **Field of Classification Search** D3/203.1–203.8,
D3/201, 205, 273; 206/528–540, 581; D9/449,
D9/500, 504, 521; D28/73, 76–78

See application file for complete search history.

(56) **References Cited**

U.S. PATENT DOCUMENTS

D621,603 S *	8/2010	Traylor	D3/203.2
D630,009 S *	1/2011	Barrass	D3/203.3
D641,970 S *	7/2011	Xu et al.	D3/203.2
D645,657 S *	9/2011	Portney	D3/203.2

* cited by examiner

Primary Examiner — Catheri Oliver

(74) *Attorney, Agent, or Firm* — Schwegman, Lunberg & Woessner, P.A.

(57) **CLAIM**

The ornamental design for the replaceable cartridge for a pain management system, as shown and described.

DESCRIPTION

FIG. 1 is a front perspective view of a replaceable cartridge for a pain management system.

FIG. 2 is a rear perspective view of a replaceable cartridge for a pain management system

FIG. 3 is a top view of a replaceable cartridge for a pain management system.

FIG. 4 is a bottom view of a replaceable cartridge for a pain management system.

FIG. 5 is a right side view of a replaceable cartridge for a pain management system.

FIG. 6 is a left side view of a replaceable cartridge for a pain management system.

FIG. 7 is a front elevation view of a replaceable cartridge for a pain management system;

FIG. 8 is a rear elevation view of a replaceable cartridge for a pain management system;

FIG. 9 is a front perspective view of a replaceable cartridge for a pain management system.

FIG. 10 is a rear perspective view of a replaceable cartridge for a pain management system

FIG. 11 is a top view of a replaceable cartridge for a pain management system.

FIG. 12 is a bottom view of a replaceable cartridge for a pain management system.

FIG. 13 is a right side view of a replaceable cartridge for a pain management system.

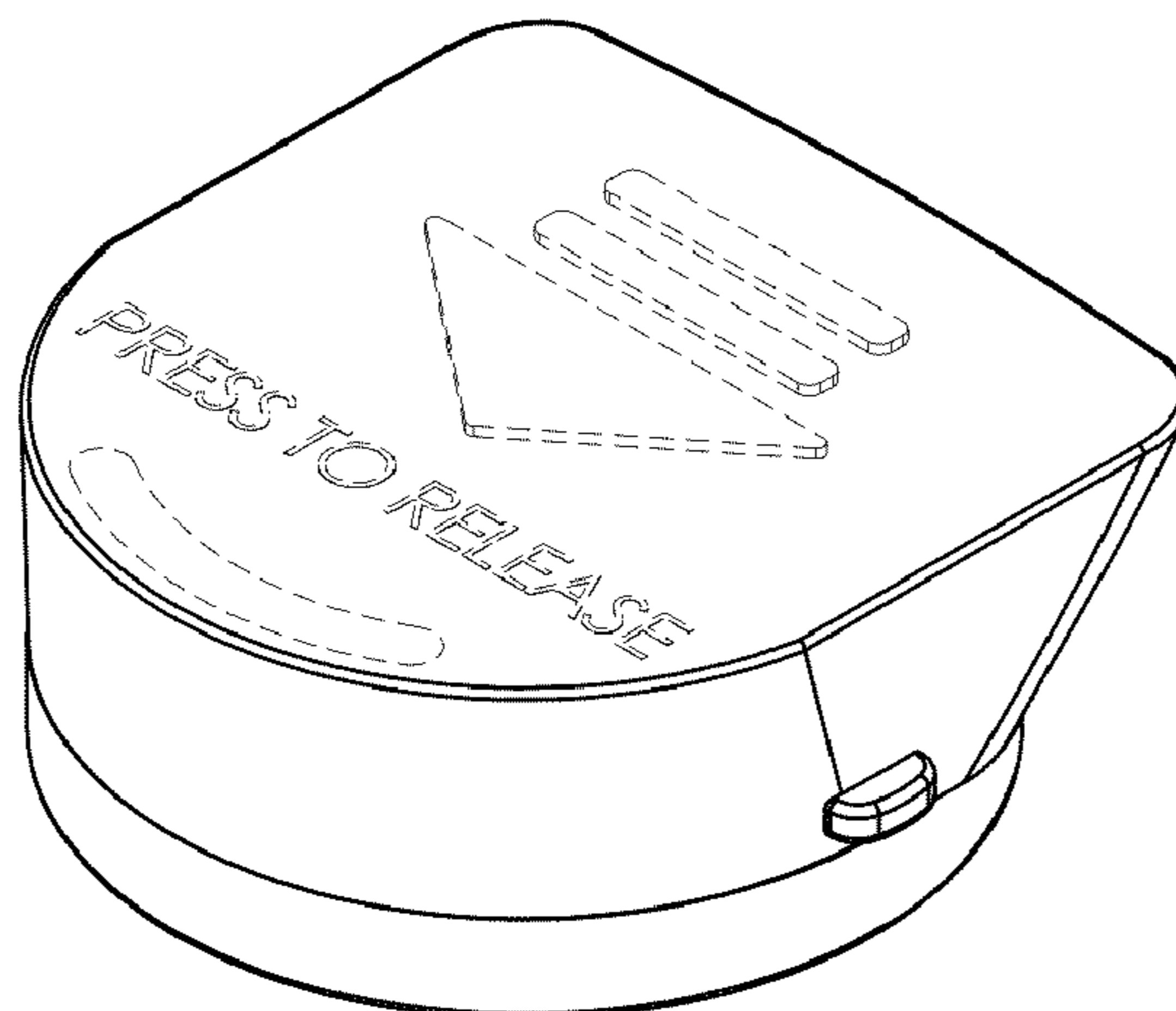
FIG. 14 is a left side view of a replaceable cartridge for a pain management system.

FIG. 15 is a front elevation view of a replaceable cartridge for a pain management system; and,

FIG. 16 is a rear elevation view of a replaceable cartridge for a pain management system.

The broken lines showing of an arrow graphic, and arc graphic and the phrase “PRESS TO RELEASE” are for the purpose of illustrating raised graphics and lettering that may be disposed on the claimed article and form no part of the claimed design.

1 Claim, 8 Drawing Sheets



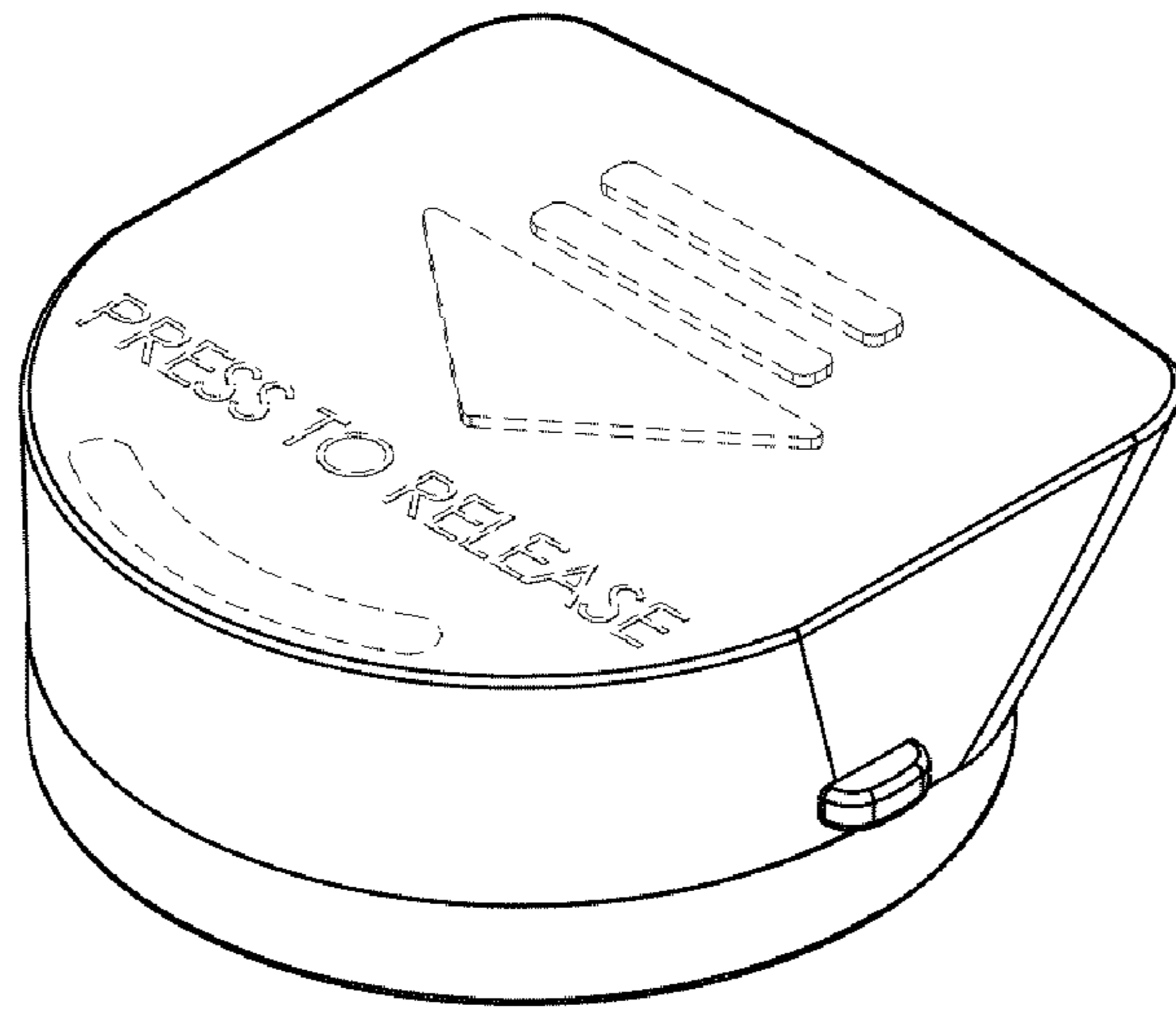


FIG. 1

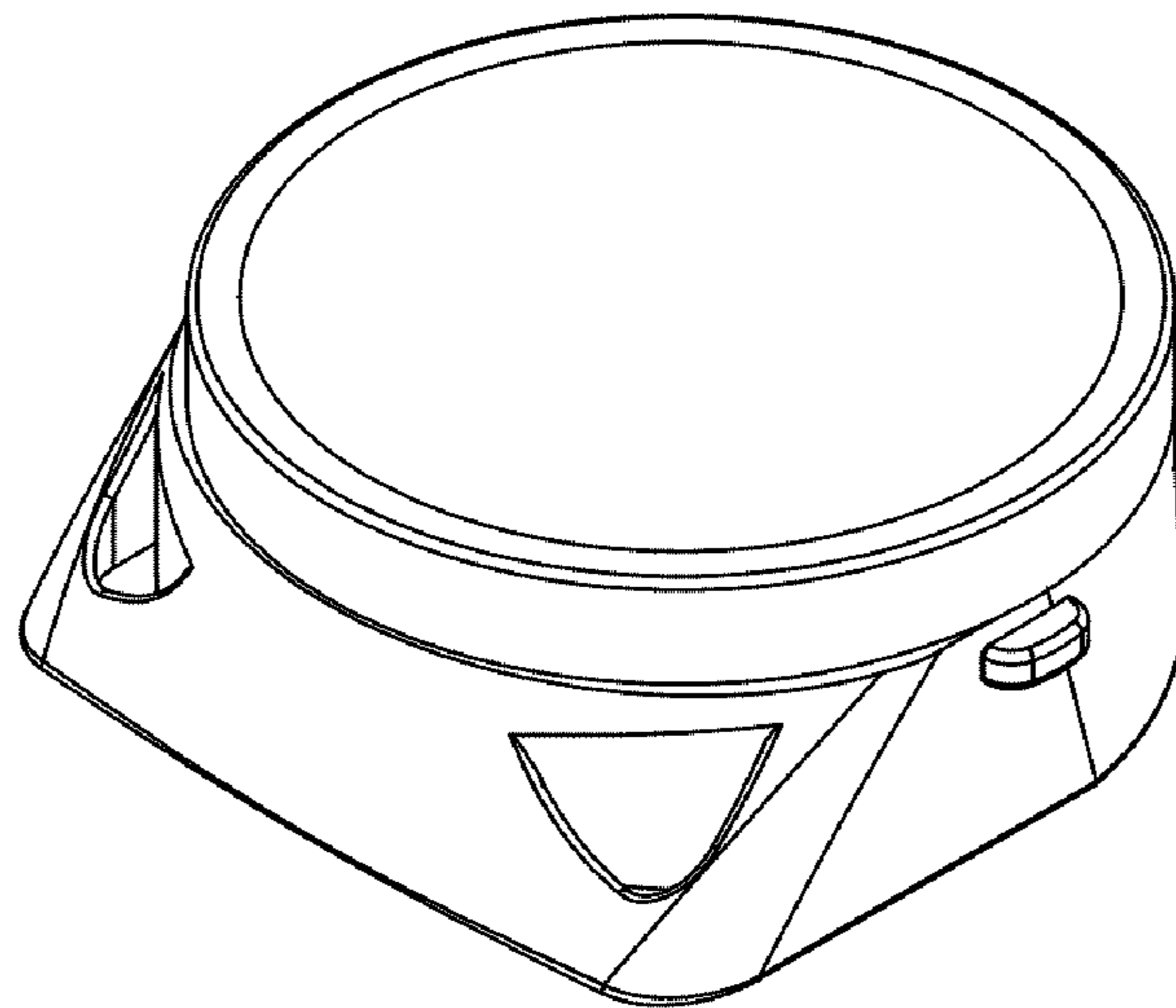


FIG. 2

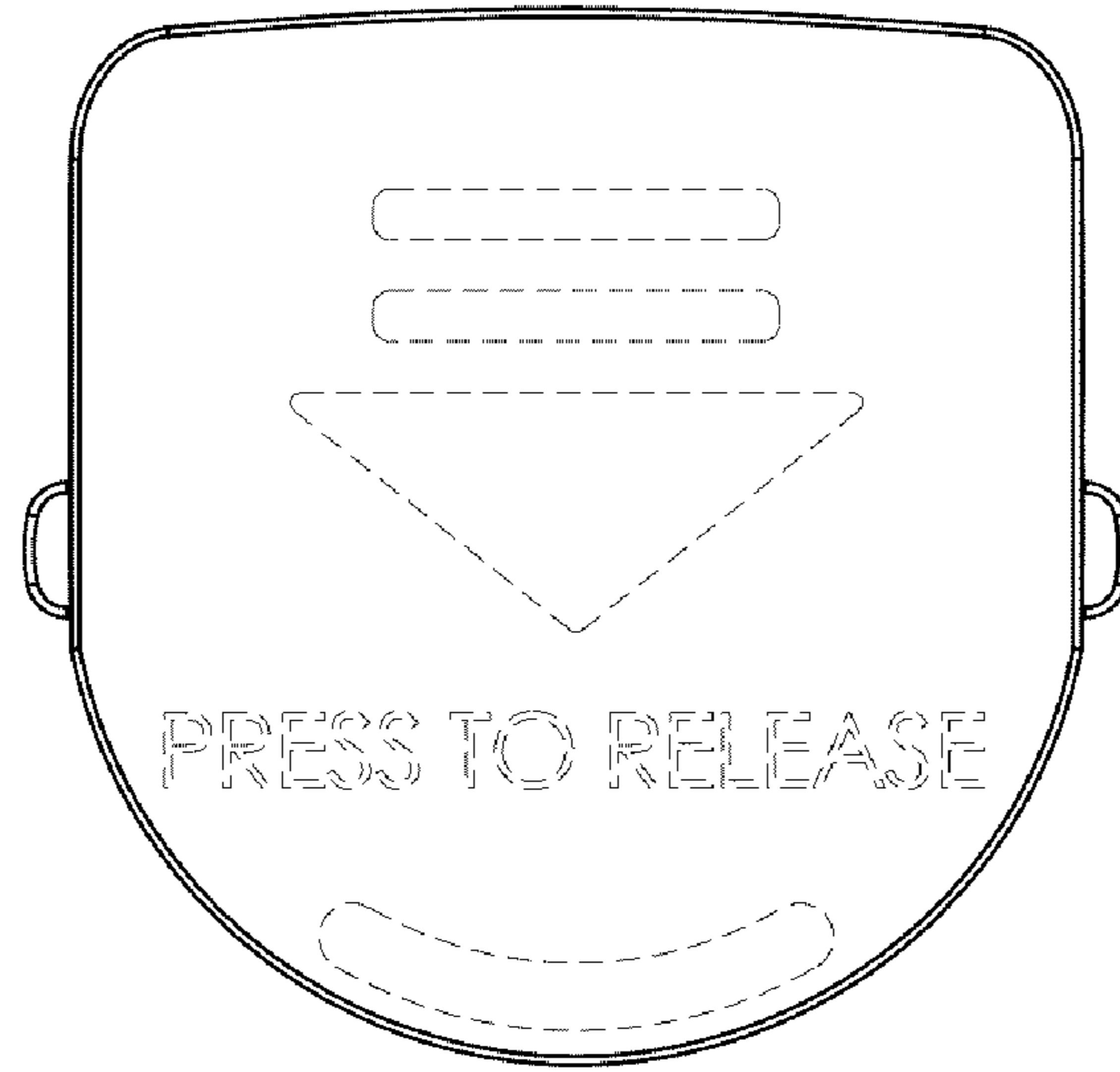


FIG. 3

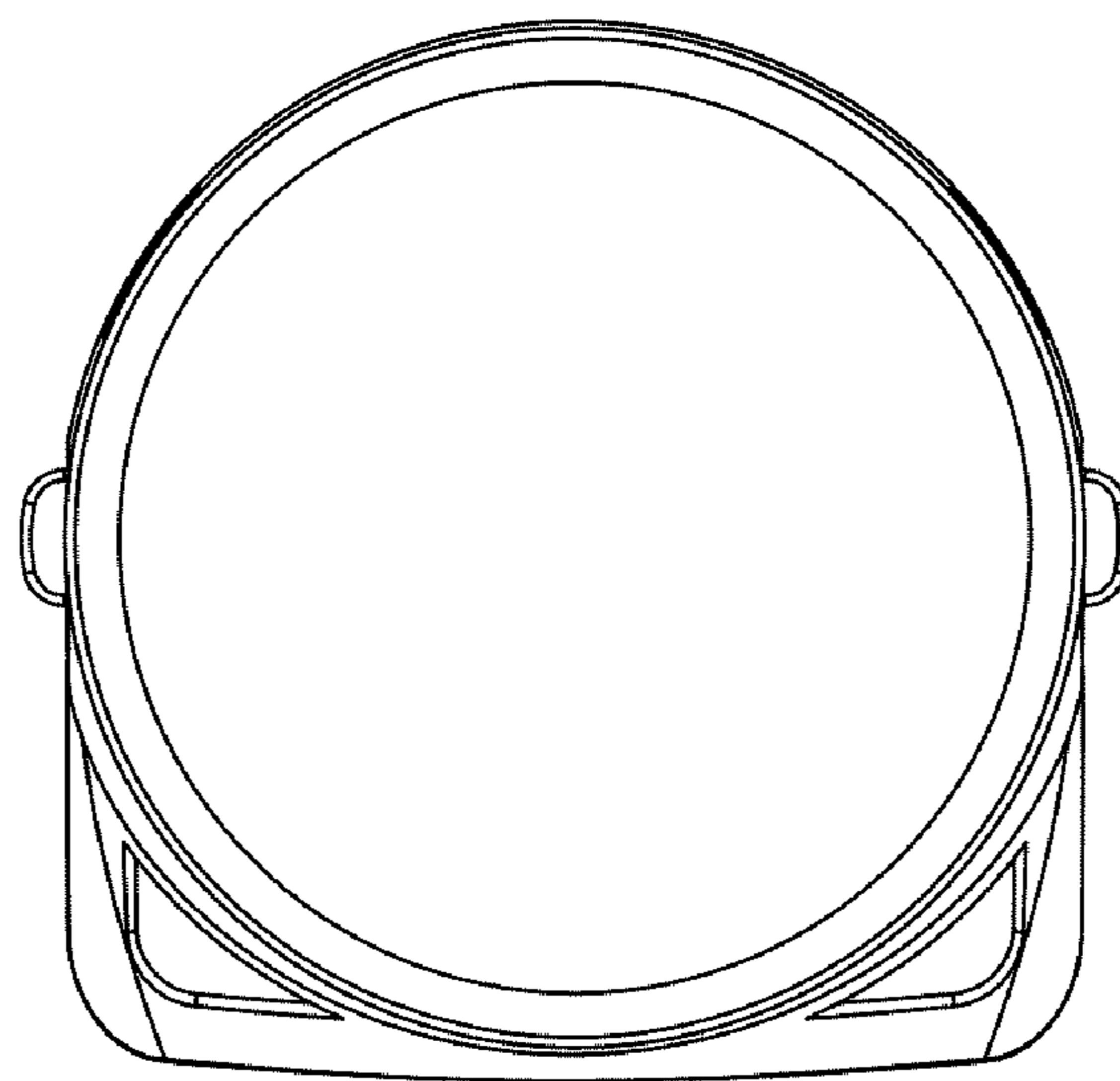


FIG. 4

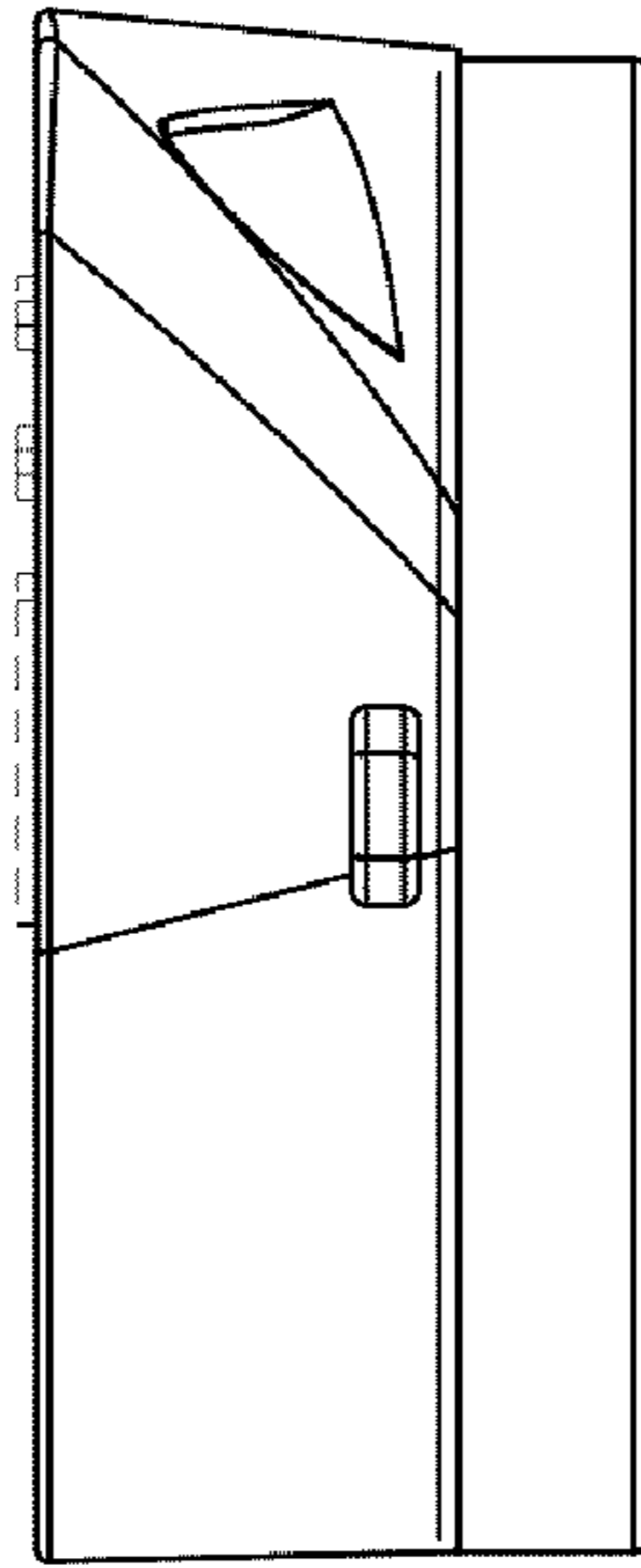


FIG. 5

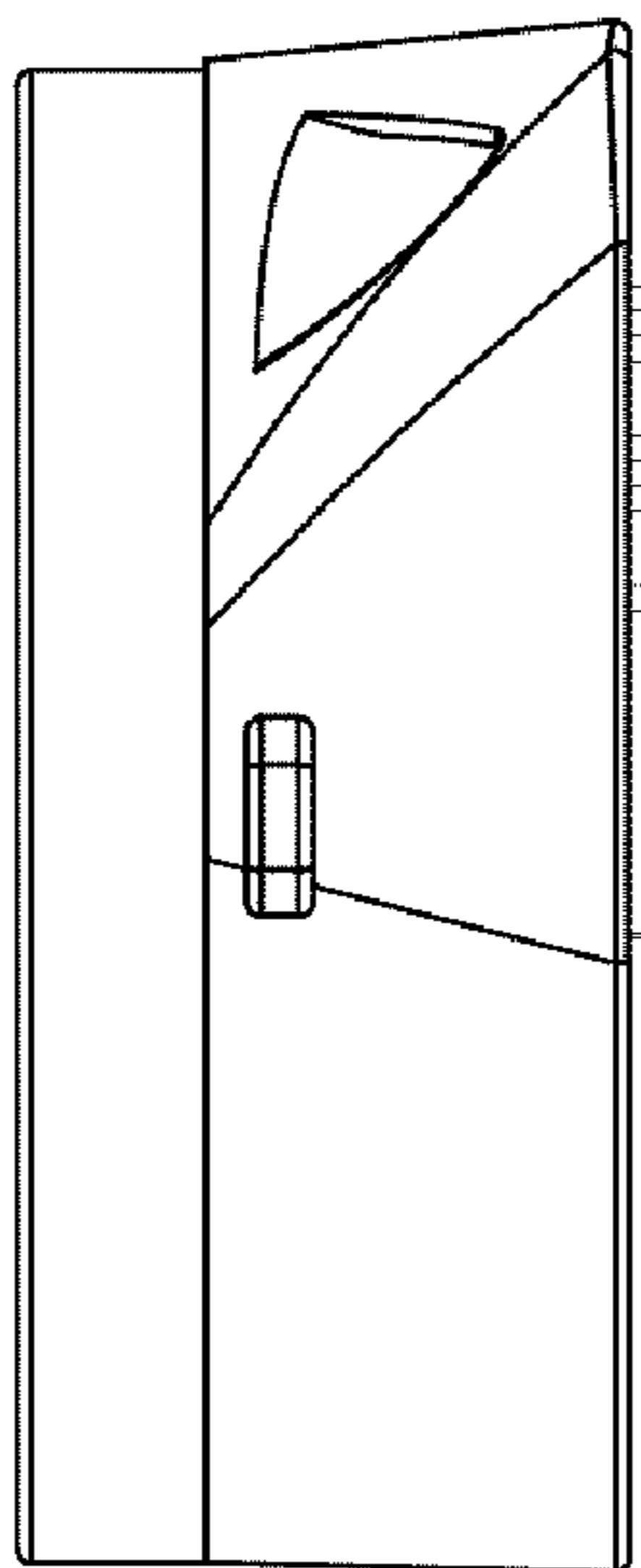


FIG. 6

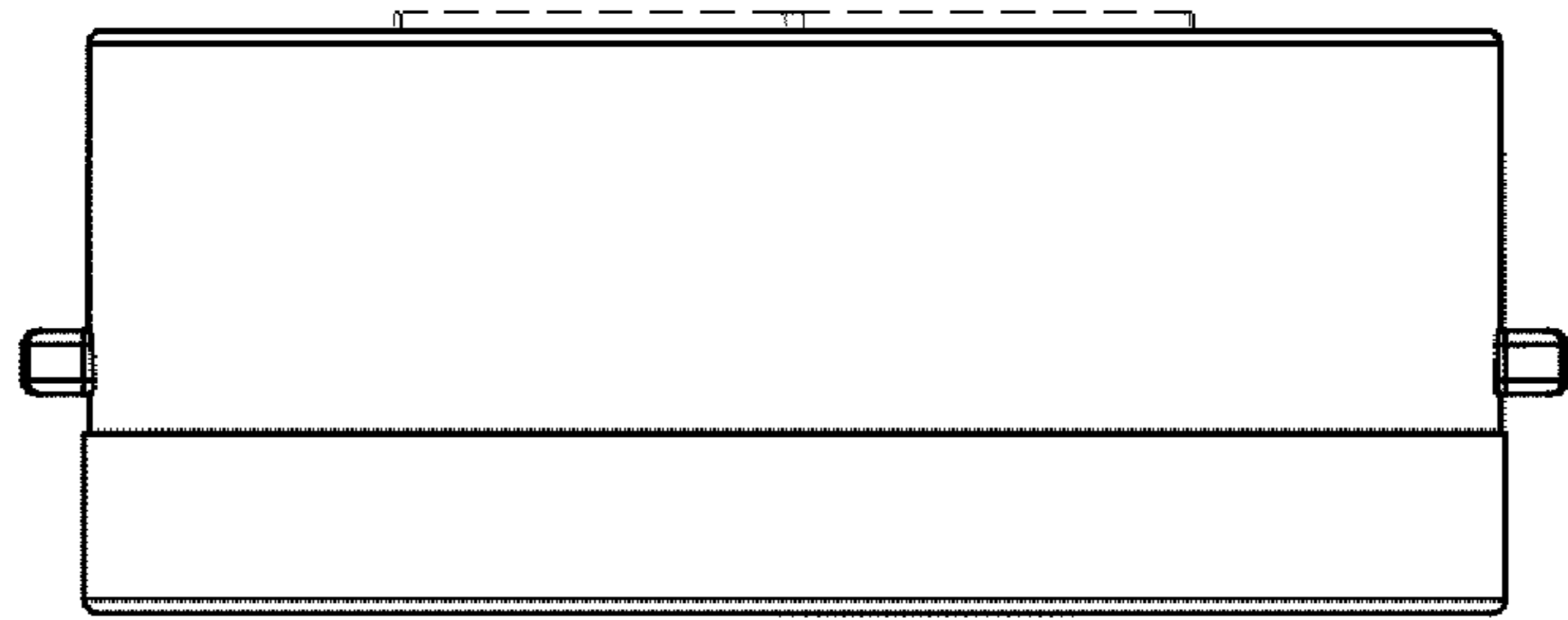


FIG. 7

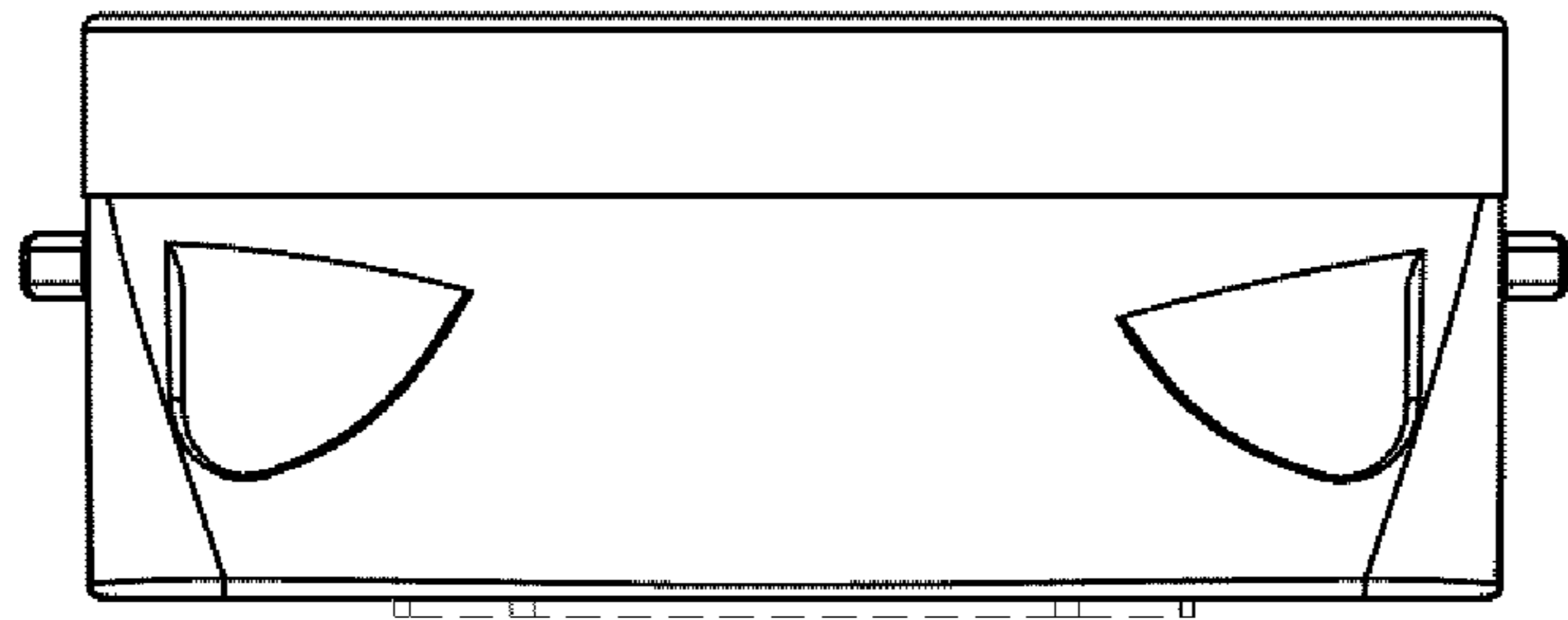


FIG. 8

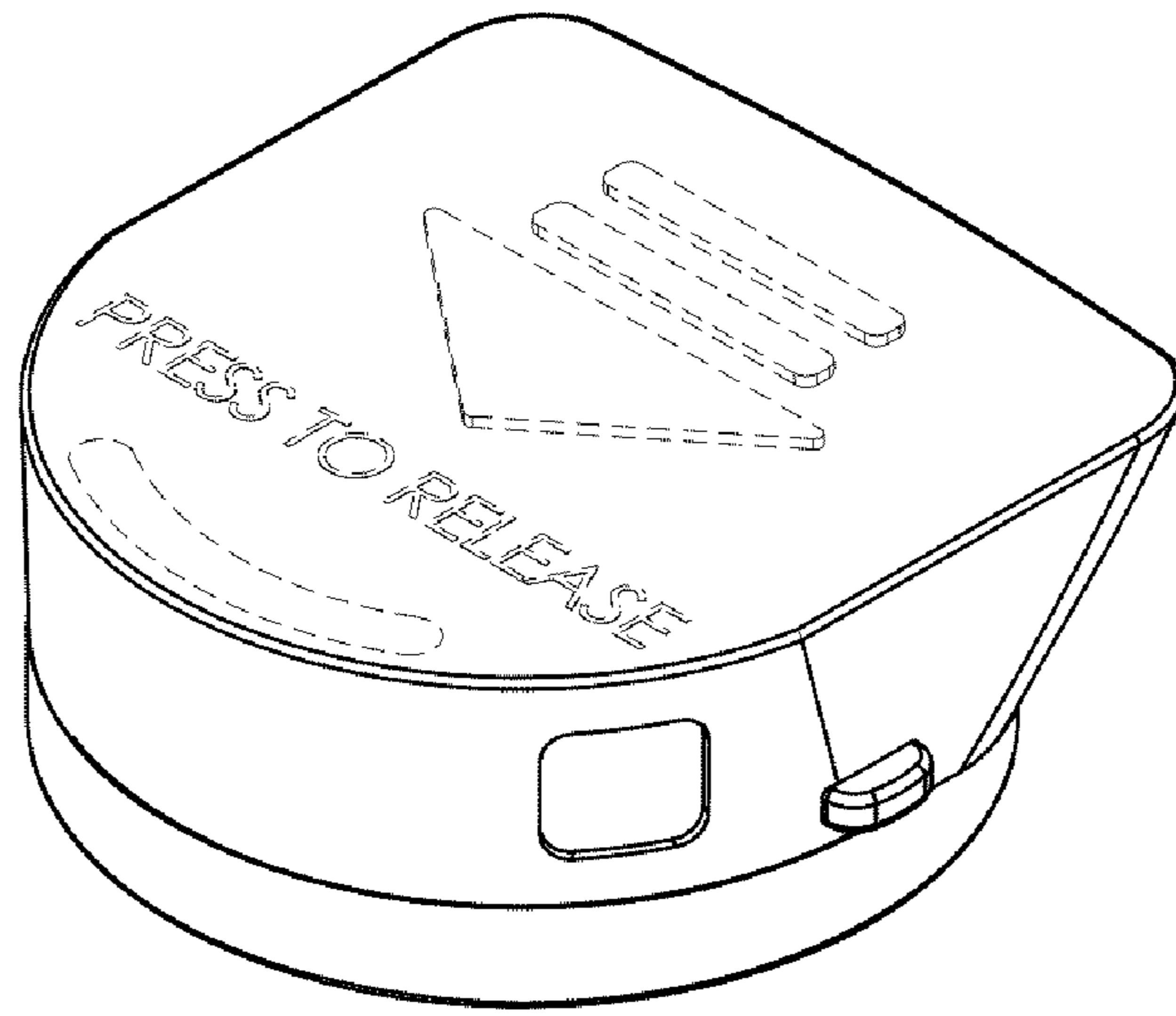


FIG. 9

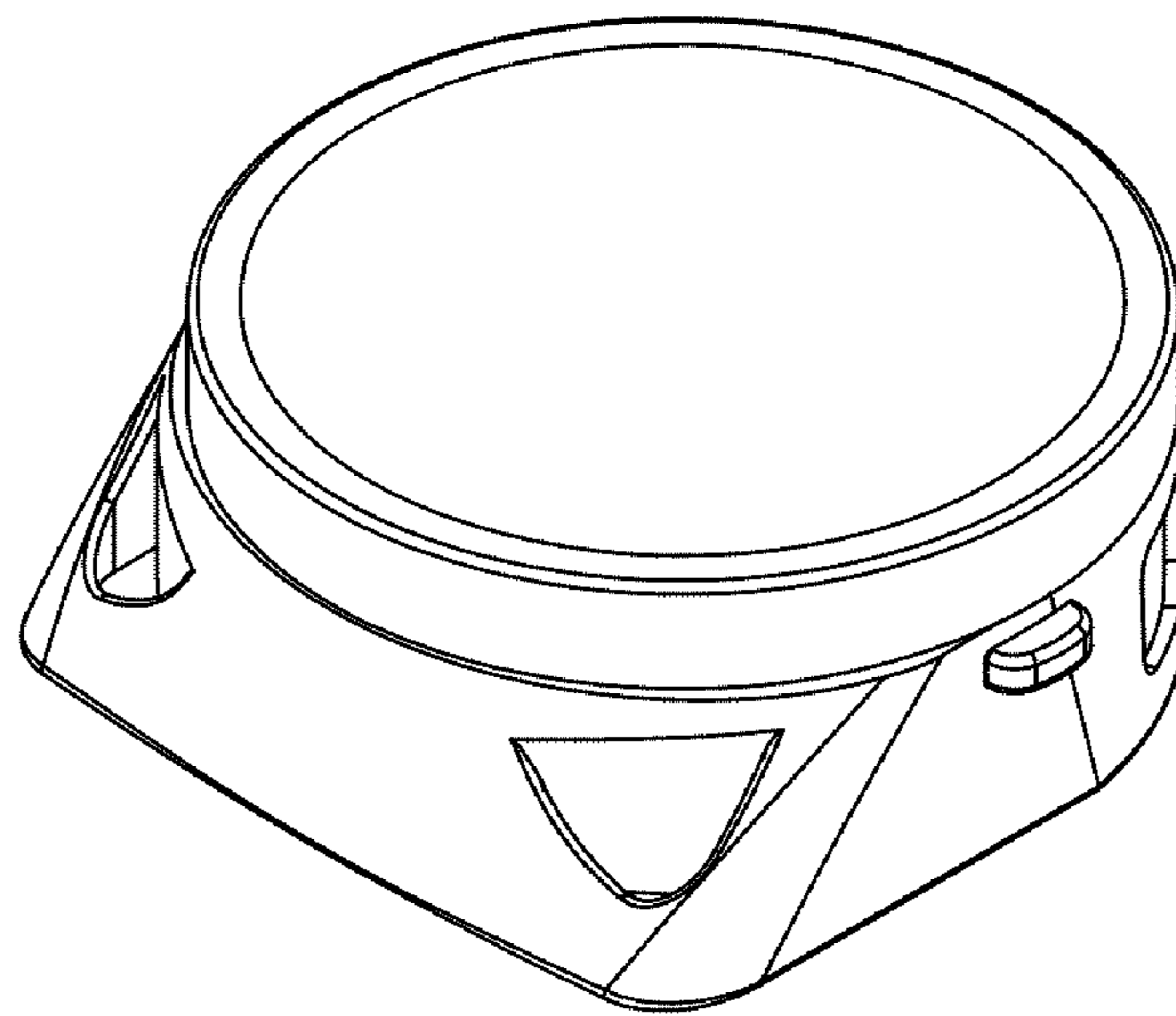


FIG. 10



FIG. 11

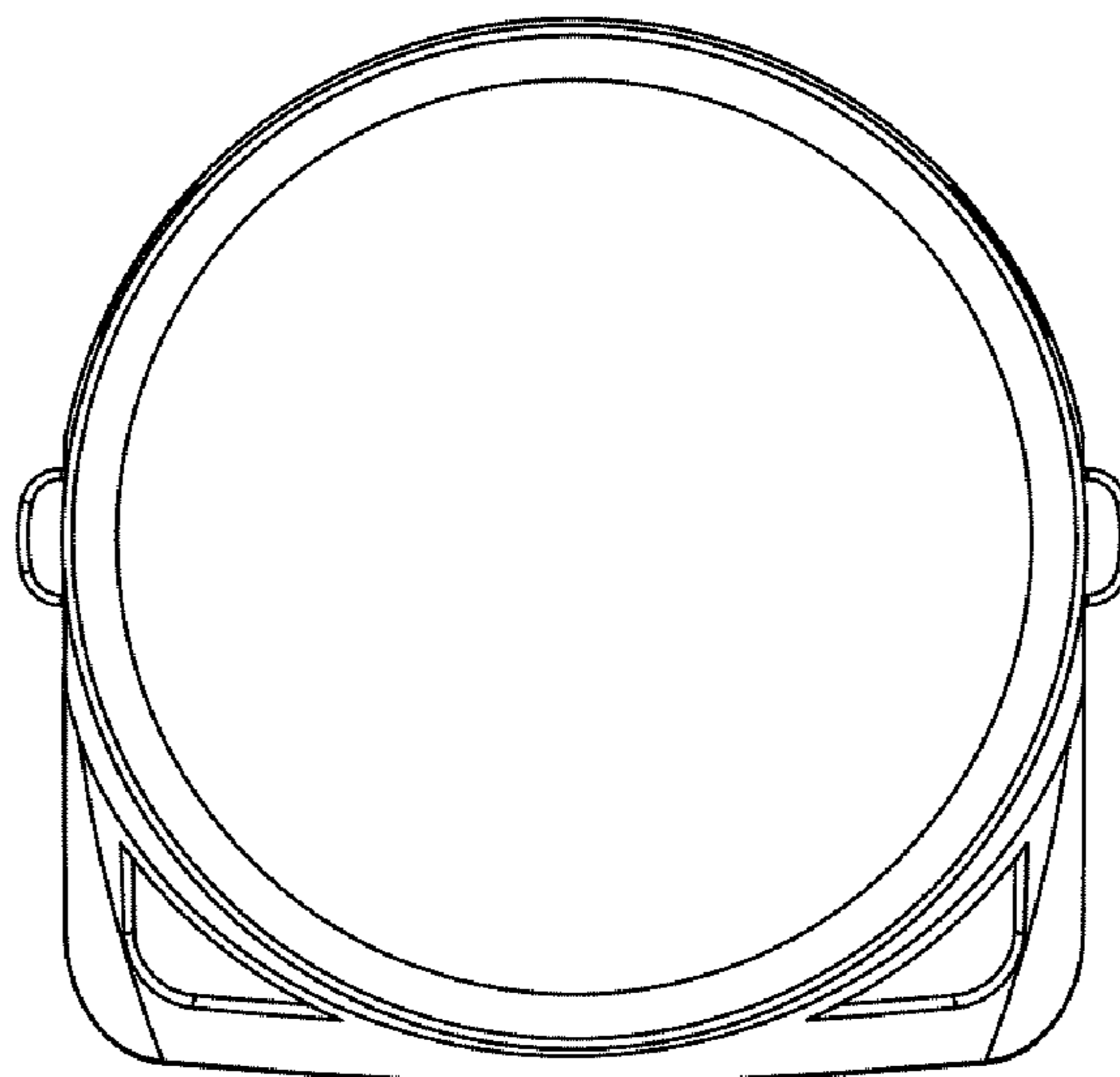


FIG. 12

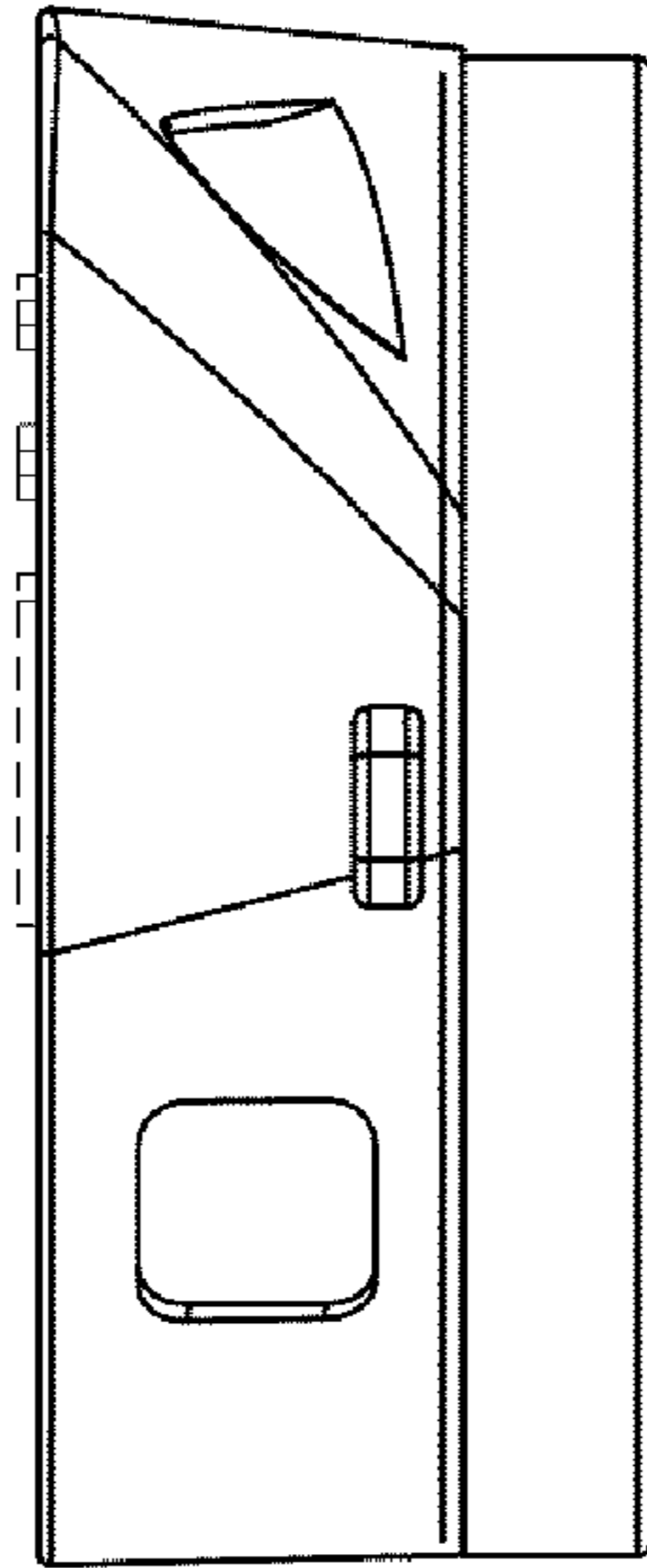


FIG. 13

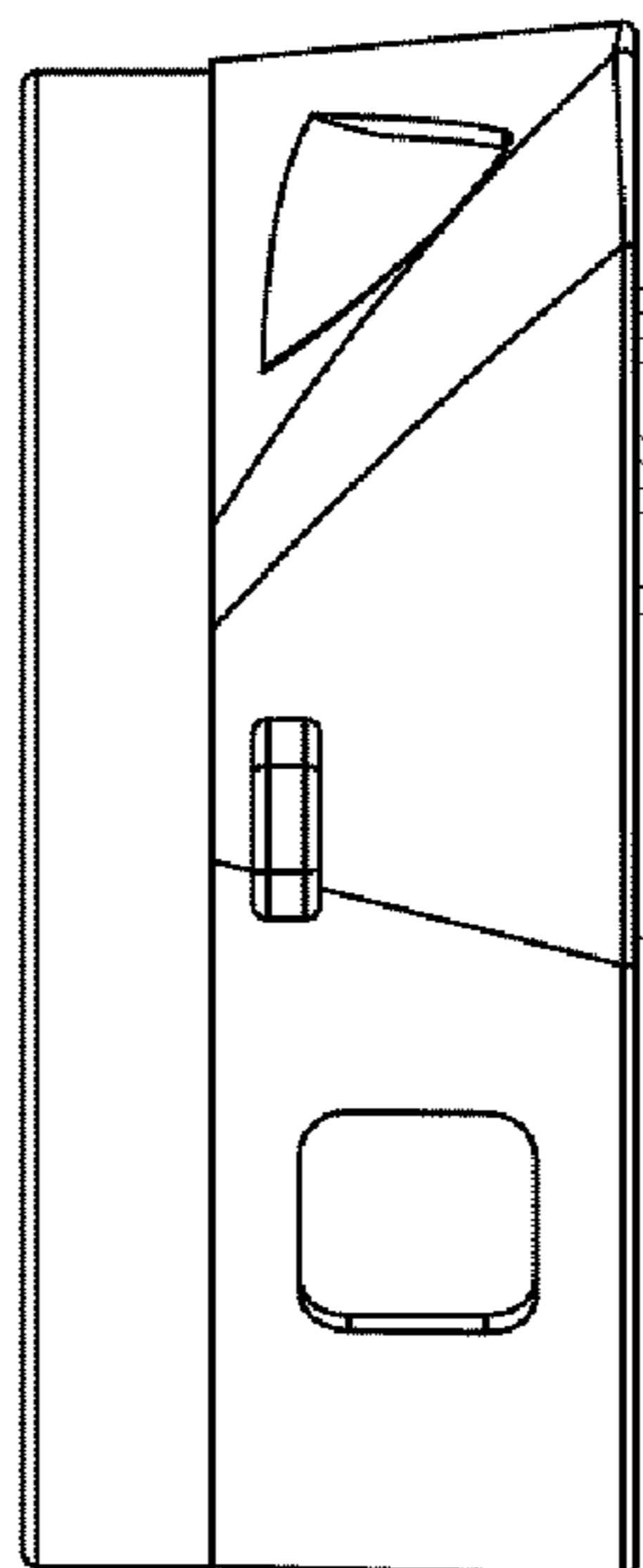


FIG. 14

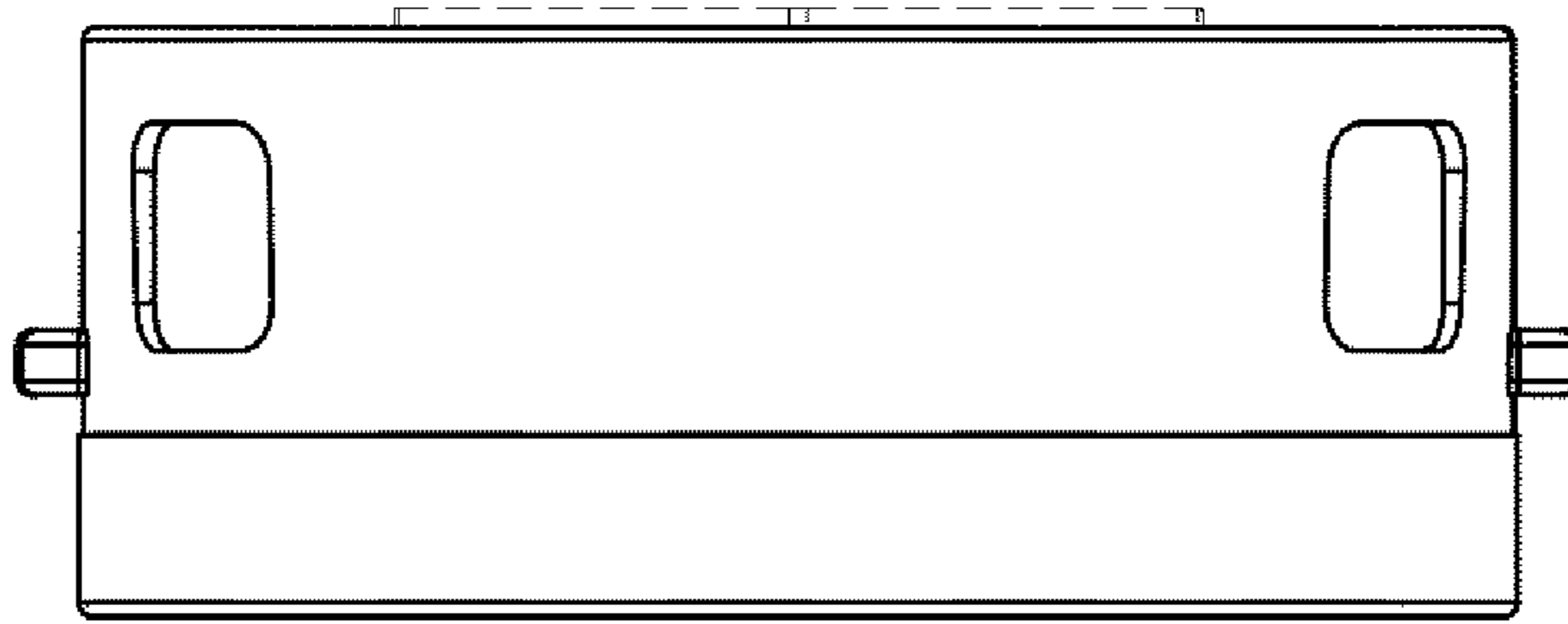


FIG. 15

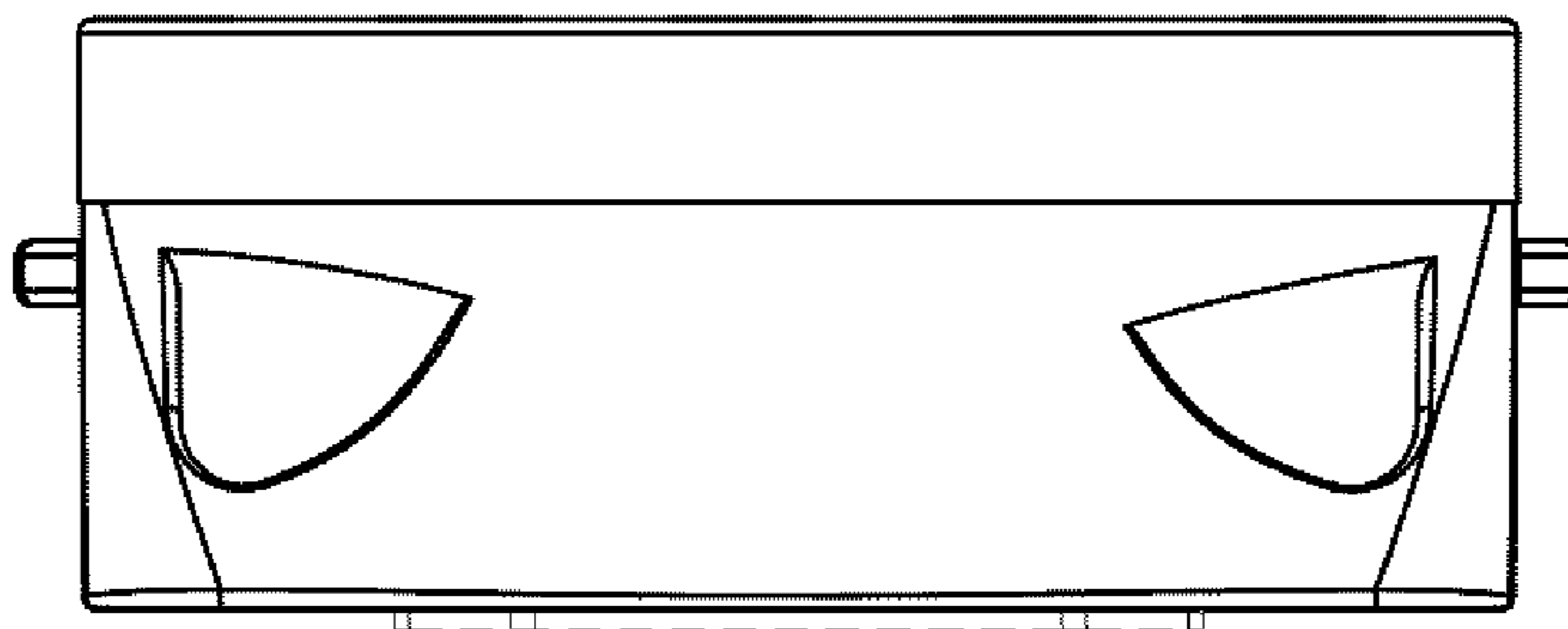


FIG. 16