



US00D656295S

(12) **United States Design Patent**
Tokarz

(10) **Patent No.:** **US D656,295 S**
(45) **Date of Patent:** **** Mar. 20, 2012**

(54) **HEADSTONE ENHANCEMENT**

Primary Examiner — Michael Pratt

(76) Inventor: **Bernard Tokarz**, Blossburg, PA (US)

(74) *Attorney, Agent, or Firm* — Blynn L. Shideler; Krisanne Shideler; BLK Law Group

(**) Term: **14 Years**

(57) **CLAIM**

(21) Appl. No.: **29/360,774**

The ornamental design for a headstone enhancement, as shown and described.

(22) Filed: **Apr. 30, 2010**

DESCRIPTION

Related U.S. Application Data

(63) Continuation-in-part of application No. 29/323,827, filed on Sep. 2, 2008, now abandoned.

(51) **LOC (9) Cl.** **25-03**

(52) **U.S. Cl.** **D99/18**

(58) **Field of Classification Search** D99/1-24;
27/1-8, 14, 27, 30; 52/103; 40/124.5;
D11/143-163; D25/38, 111

See application file for complete search history.

(56) **References Cited**

U.S. PATENT DOCUMENTS

5,701,714 A * 12/1997 Dietrichs 52/665
D397,888 S * 9/1998 Teng D6/464
D545,454 S * 6/2007 McCarthy D25/53
2003/0132426 A1 * 7/2003 Kang 256/22

FOREIGN PATENT DOCUMENTS

EP 857850 A2 * 8/1998

* cited by examiner

FIG. 1 is a front view of an ornamental headstone enhancement according to a first embodiment of the present invention;

FIG. 2 is a back view of the headstone enhancement of FIG. 1;

FIG. 3 is a top plan view of the headstone enhancement of FIG. 1;

FIG. 4 is a bottom plan view of the headstone enhancement of FIG. 1;

FIG. 5 is a right side view of the headstone enhancement of FIG. 1;

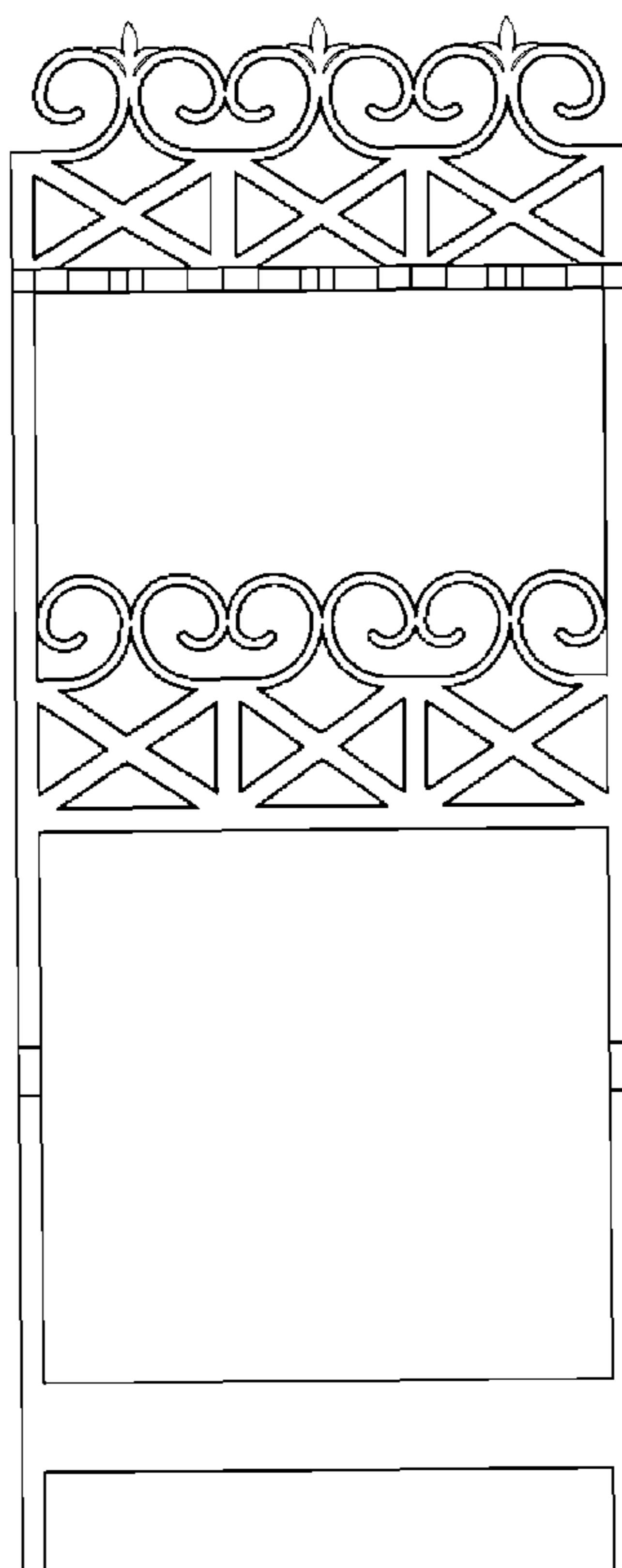
FIG. 6 is a left side view of the headstone enhancement of FIG. 1;

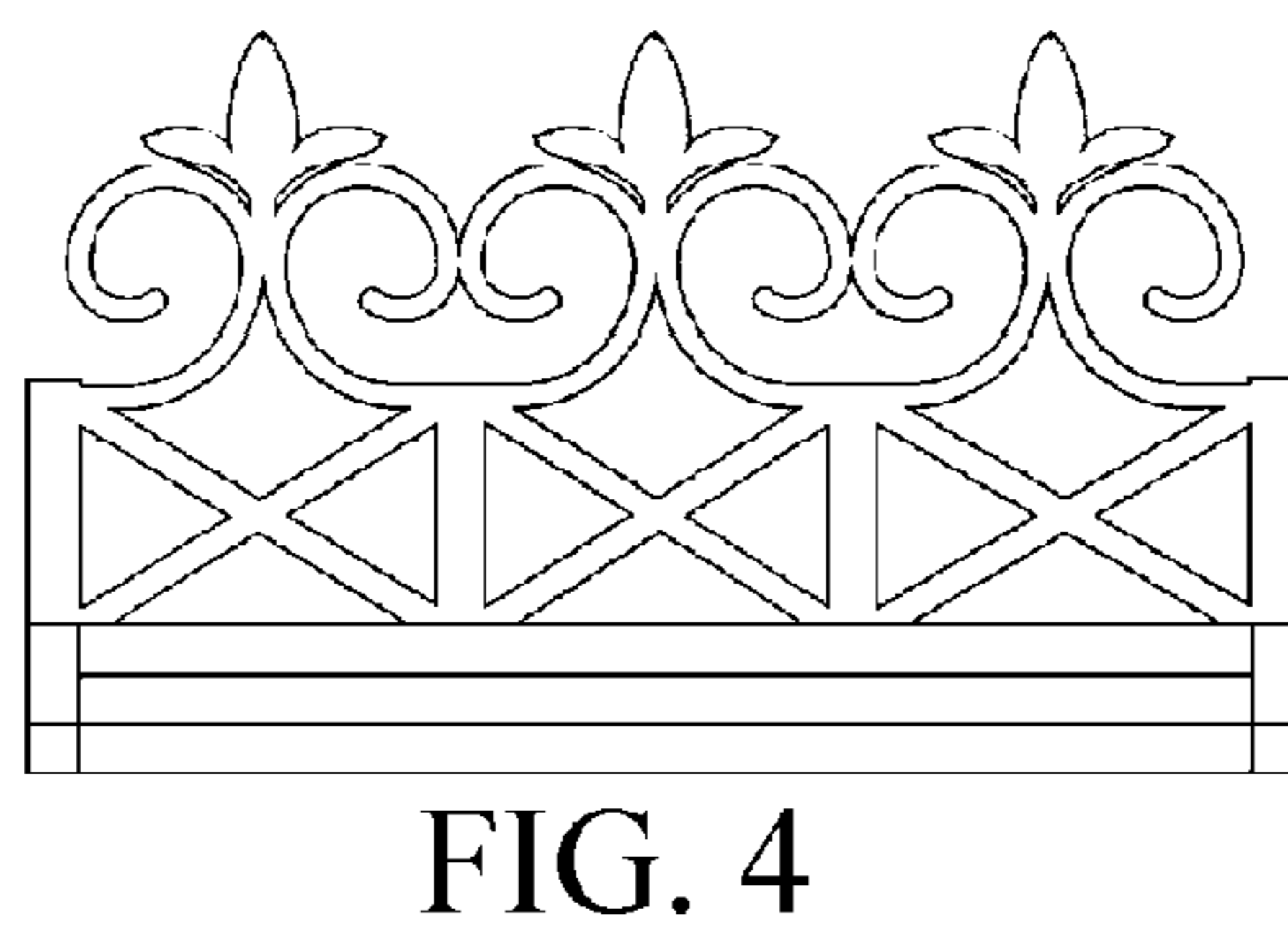
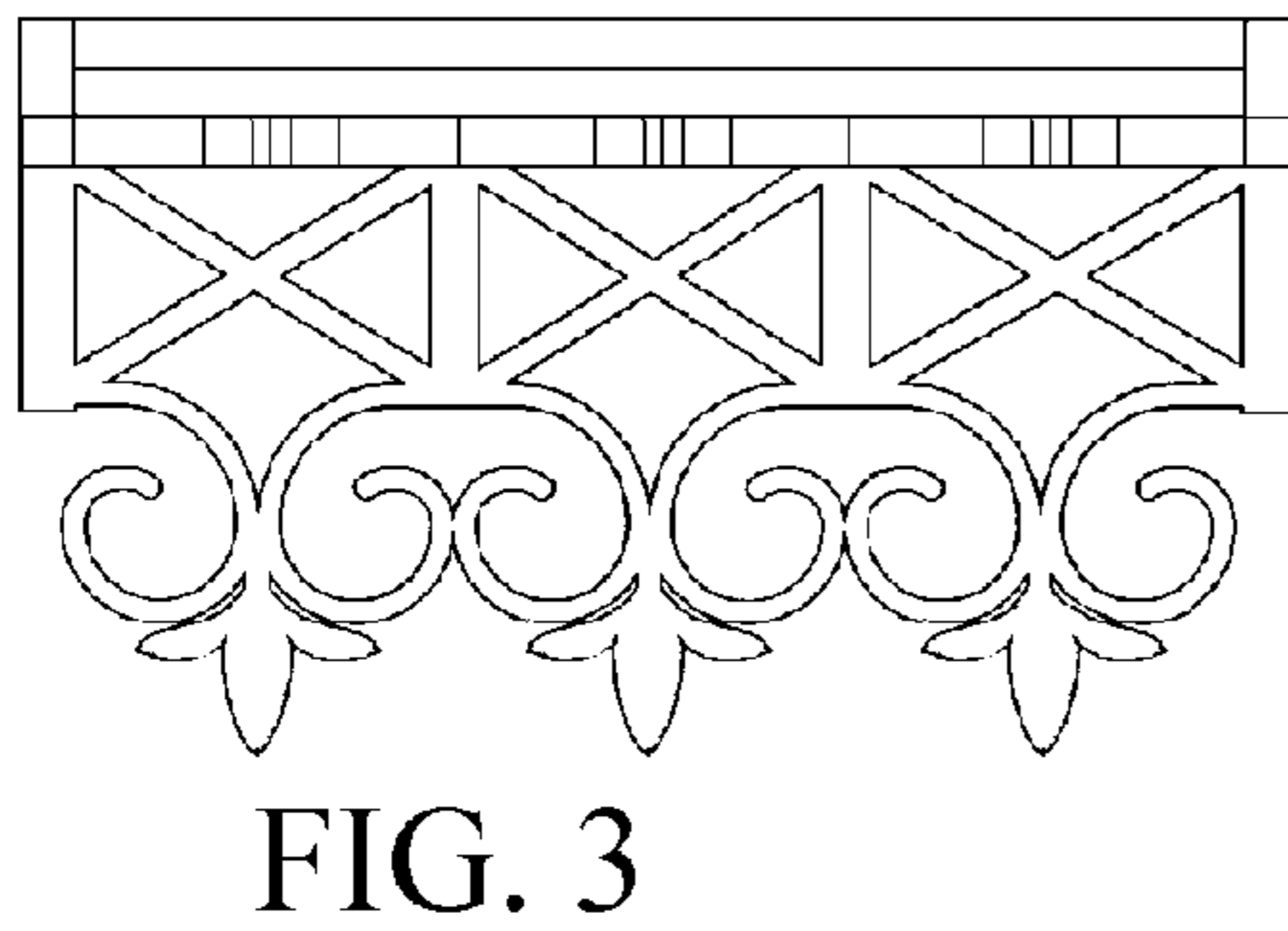
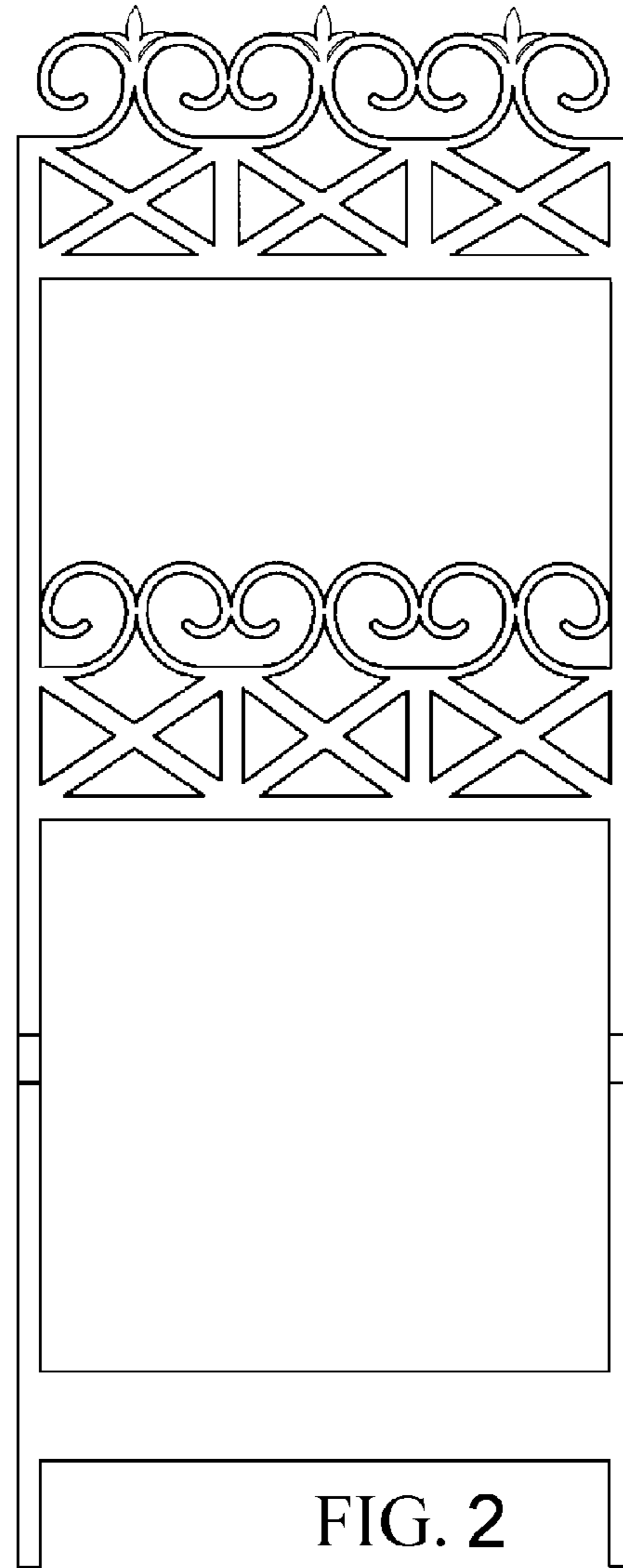
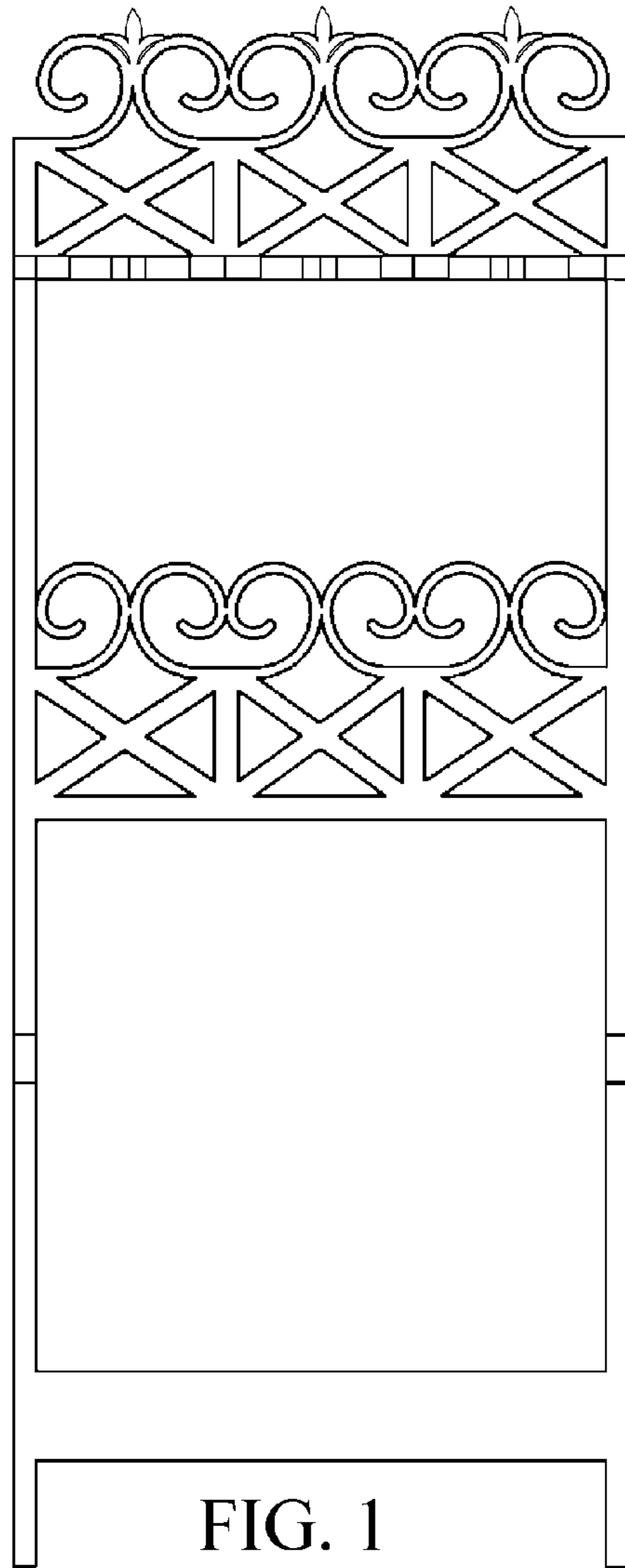
FIG. 7 is a front view of the headstone enhancement of FIG. 1 positioned in the ground with a headstone illustrated in phantom; and,

FIG. 8 is a perspective view of the headstone enhancement of FIG. 1.

The phantom lines are for purposes of illustrating environmental structure that forms no part of the claimed design.

1 Claim, 3 Drawing Sheets





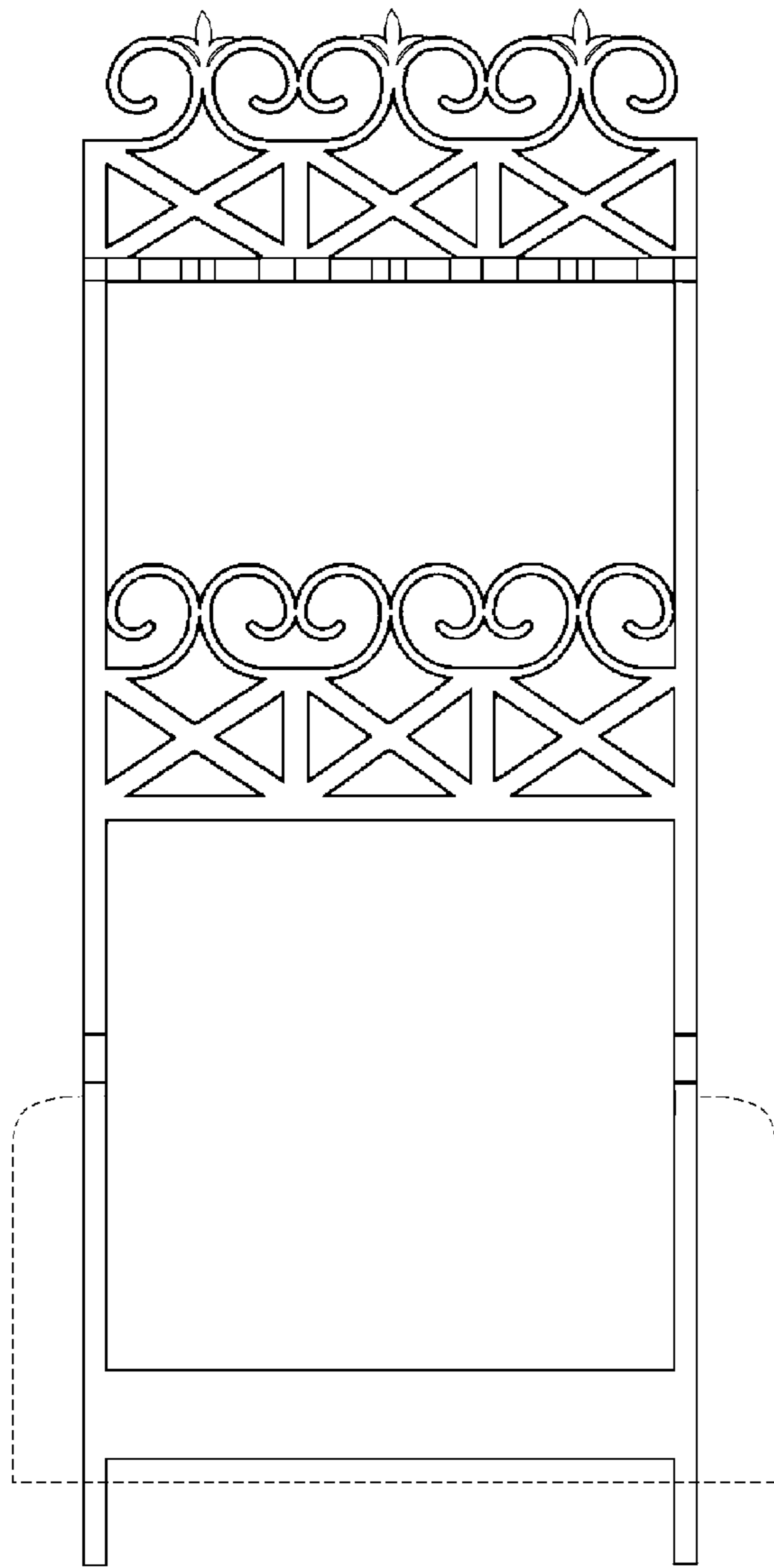


FIG. 7

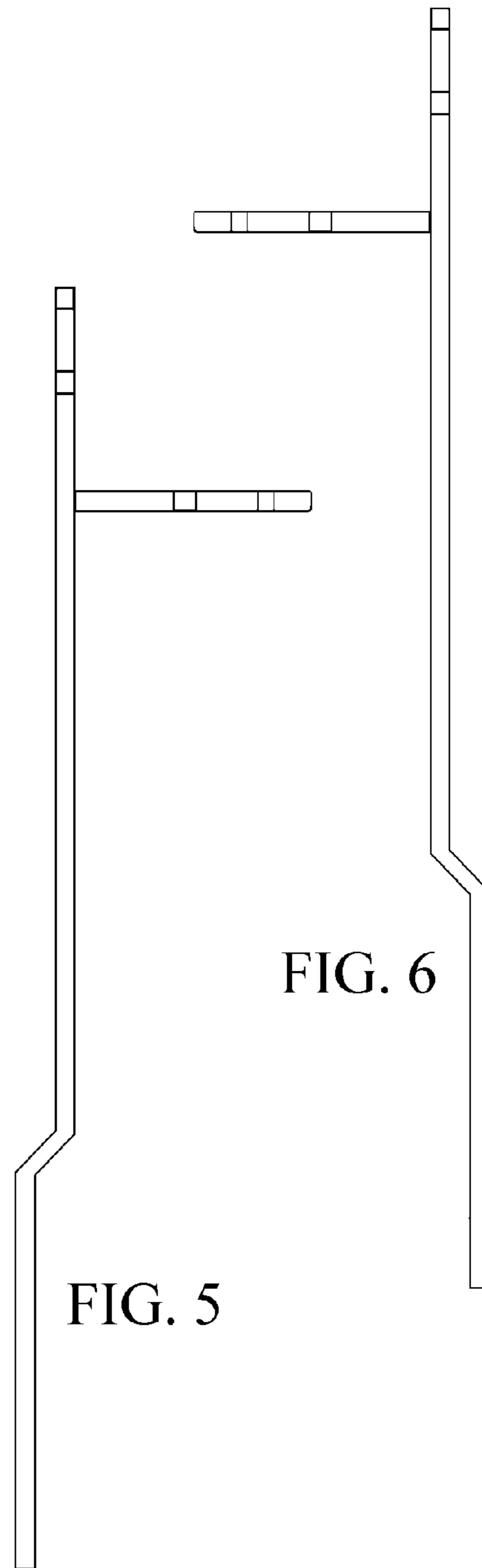


FIG. 5

FIG. 6

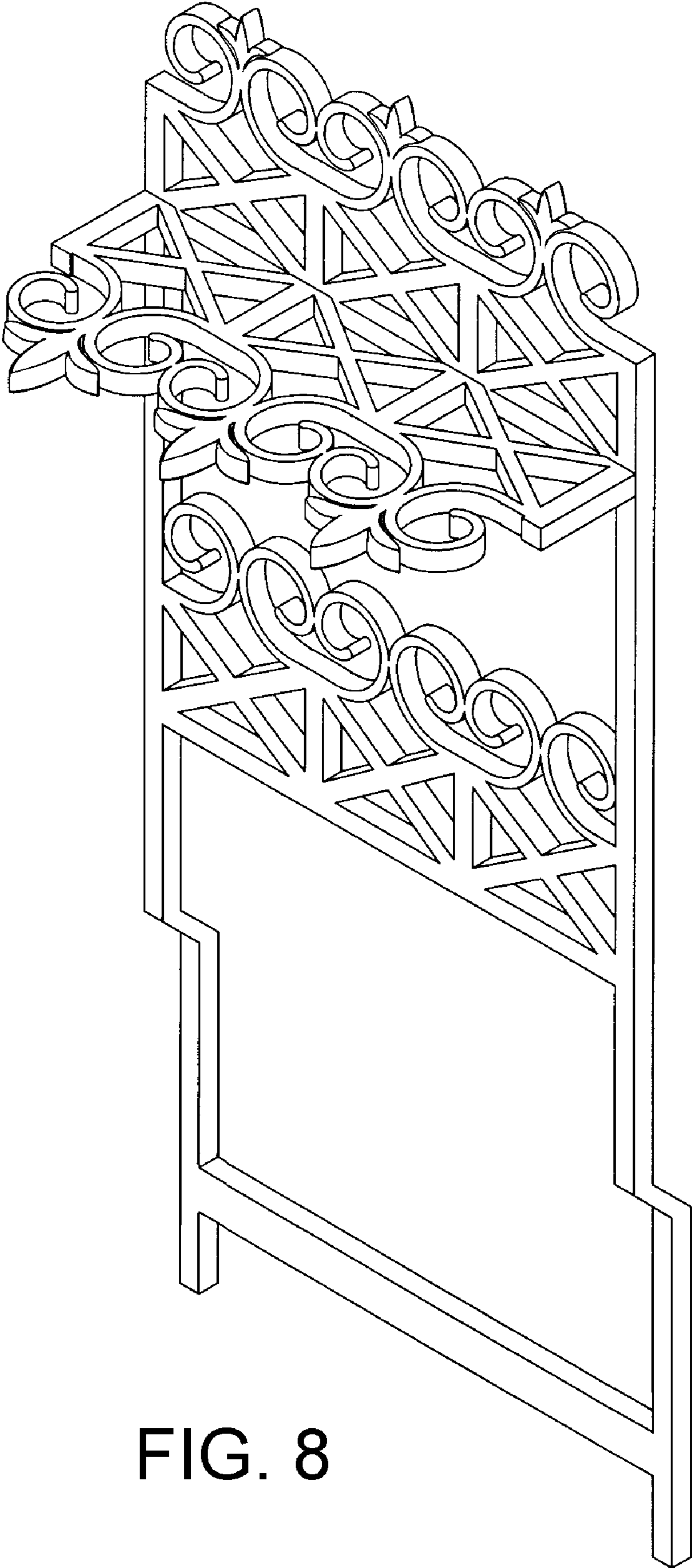


FIG. 8